



US00D723656S

(12) **United States Design Patent**
King et al.

(10) **Patent No.:** **US D723,656 S**
(45) **Date of Patent:** **** Mar. 3, 2015**

(54) **FLOATING DISPENSER**

(56) **References Cited**

(71) Applicants: **Joseph King**, Wayzata, MN (US);
Jeffrey Johnson, Edina, MN (US); **Paul Freeberg**, South St. Paul, MN (US);
David Guy, Maple Grove, MN (US)

(72) Inventors: **Joseph King**, Wayzata, MN (US);
Jeffrey Johnson, Edina, MN (US); **Paul Freeberg**, South St. Paul, MN (US);
David Guy, Maple Grove, MN (US)

U.S. PATENT DOCUMENTS

| | | | | |
|-----------|------|---------|---------------------|------------|
| 5,441,711 | A * | 8/1995 | Drewery | 422/264 |
| 6,562,242 | B2 * | 5/2003 | King et al. | 210/753 |
| 6,685,827 | B2 * | 2/2004 | King et al. | 210/167.11 |
| D506,804 | S * | 6/2005 | Maloney et al. | D23/208 |
| D540,906 | S * | 4/2007 | Hardwick | D23/208 |
| 7,291,261 | B1 * | 11/2007 | Rhodes | 210/167.11 |
| D559,944 | S * | 1/2008 | Bruneel | D23/208 |
| D630,705 | S * | 1/2011 | Rossano et al. | D23/208 |
| 7,922,982 | B1 * | 4/2011 | Brennan | 422/265 |
| D682,388 | S * | 5/2013 | King et al. | D23/208 |
| D682,389 | S * | 5/2013 | King et al. | D23/208 |

(73) Assignee: **King Technology, Inc.**, Hopkins, MN (US)

* cited by examiner

Primary Examiner — Robin V Webster

(**) Term: **14 Years**

(74) *Attorney, Agent, or Firm* — Jacoboson & Johnson LLC

(21) Appl. No.: **29/463,742**

(57) **CLAIM**

The ornamental design for a floating dispenser, as shown and described.

(22) Filed: **Feb. 21, 2014**

DESCRIPTION

(51) **LOC (10) Cl.** **23-01**

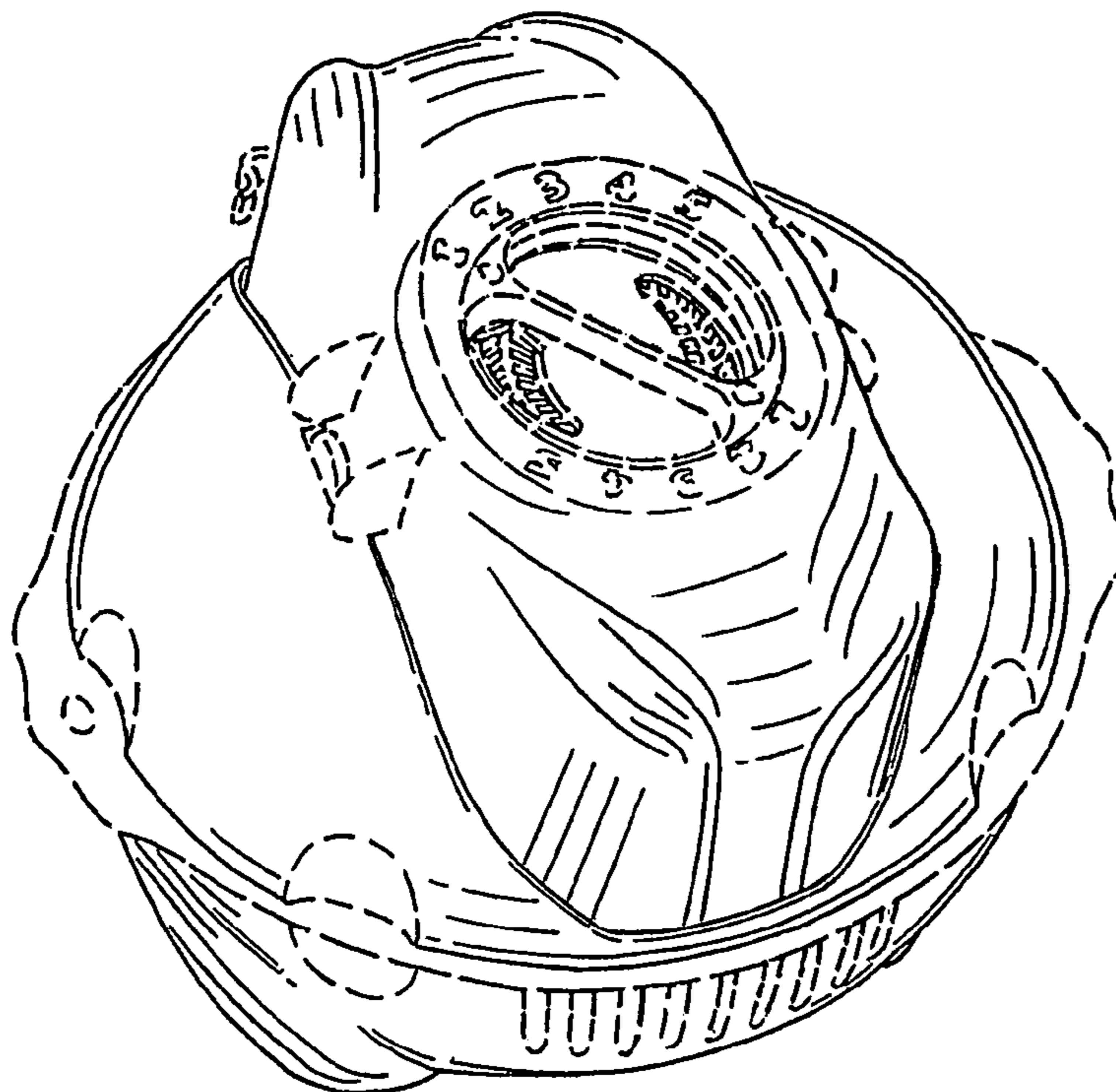
(52) **U.S. Cl.**
USPC **D23/208**

(58) **Field of Classification Search**
CPC C02F 1/68; C02F 1/76
USPC D23/207-210; 210/167.12, 167.11,
210/753; 220/560; 422/264, 265

FIG. 1 is perspective of a floating dispenser;
FIG. 2 is a bottom view of the floating dispenser;
FIG. 3 is a top view of the floating dispenser;
FIG. 4 is a left side view of the floating dispenser;
FIG. 5 is a right side view of the floating dispenser;
FIG. 6 is an end view of the floating dispenser; and,
FIG. 7 is an end view of the other end of the floating dispenser.
The broken line showing is included for the purpose of illustrating and forms no part of the claimed design.

See application file for complete search history.

1 Claim, 4 Drawing Sheets



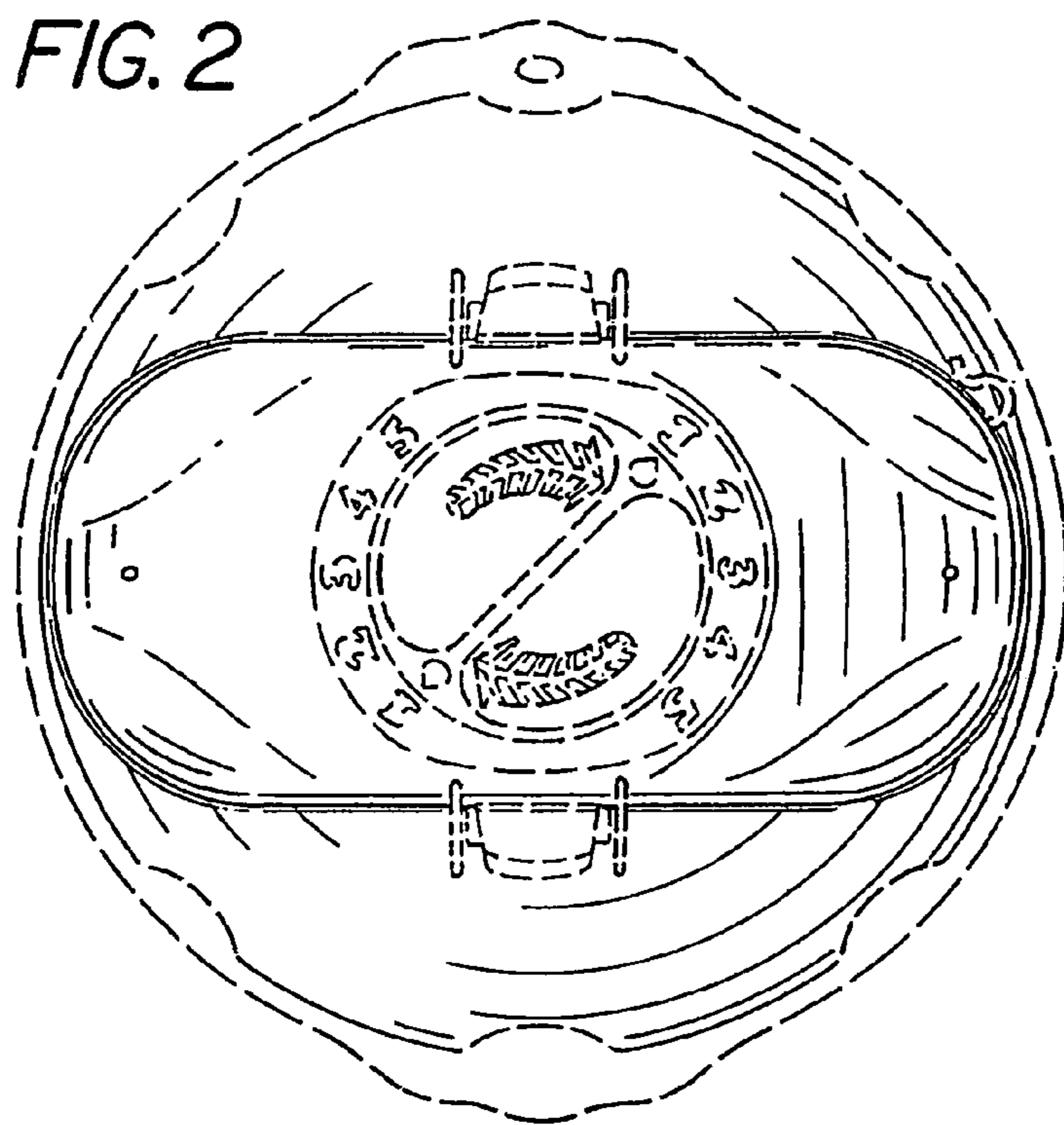
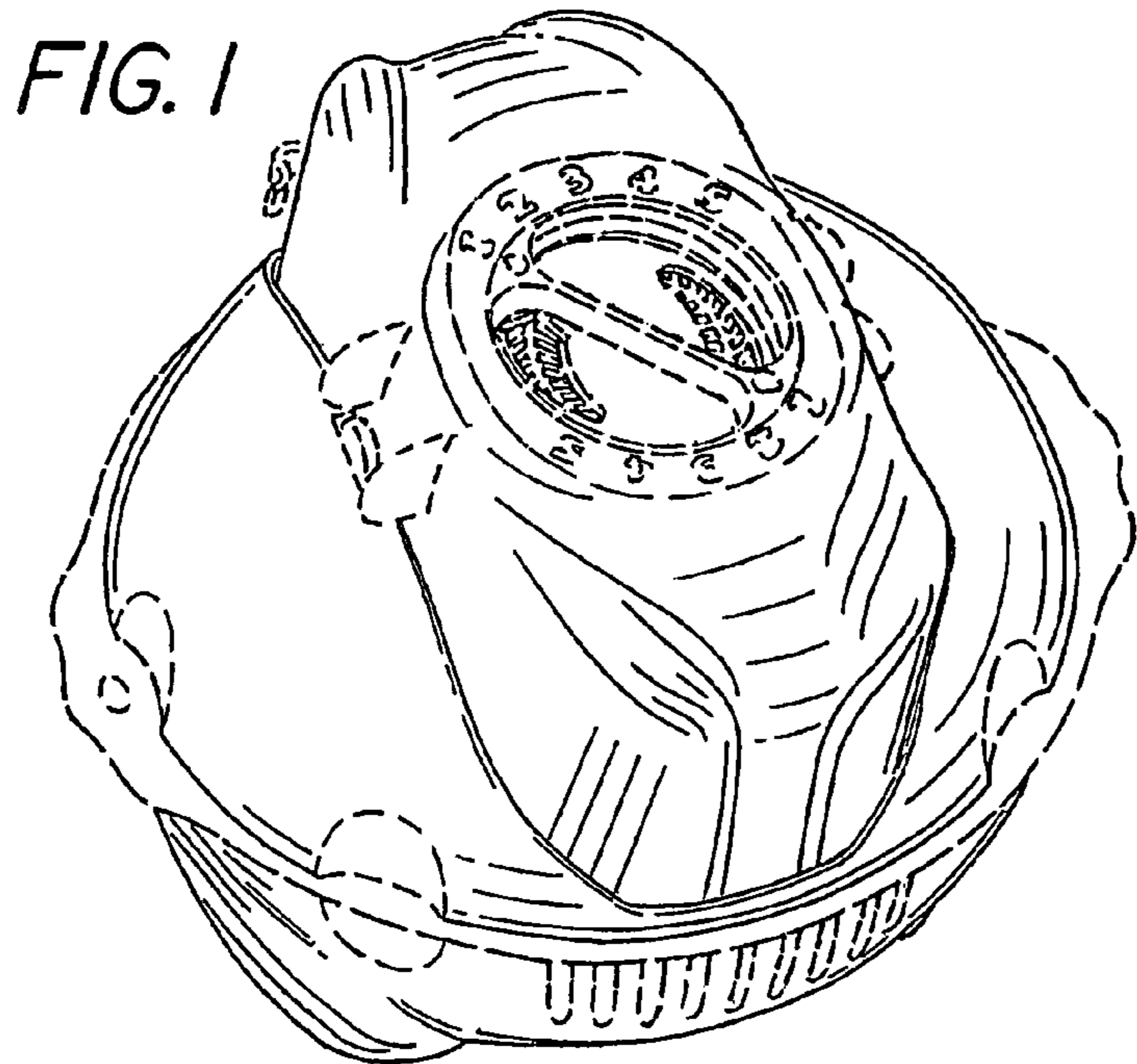


FIG. 3

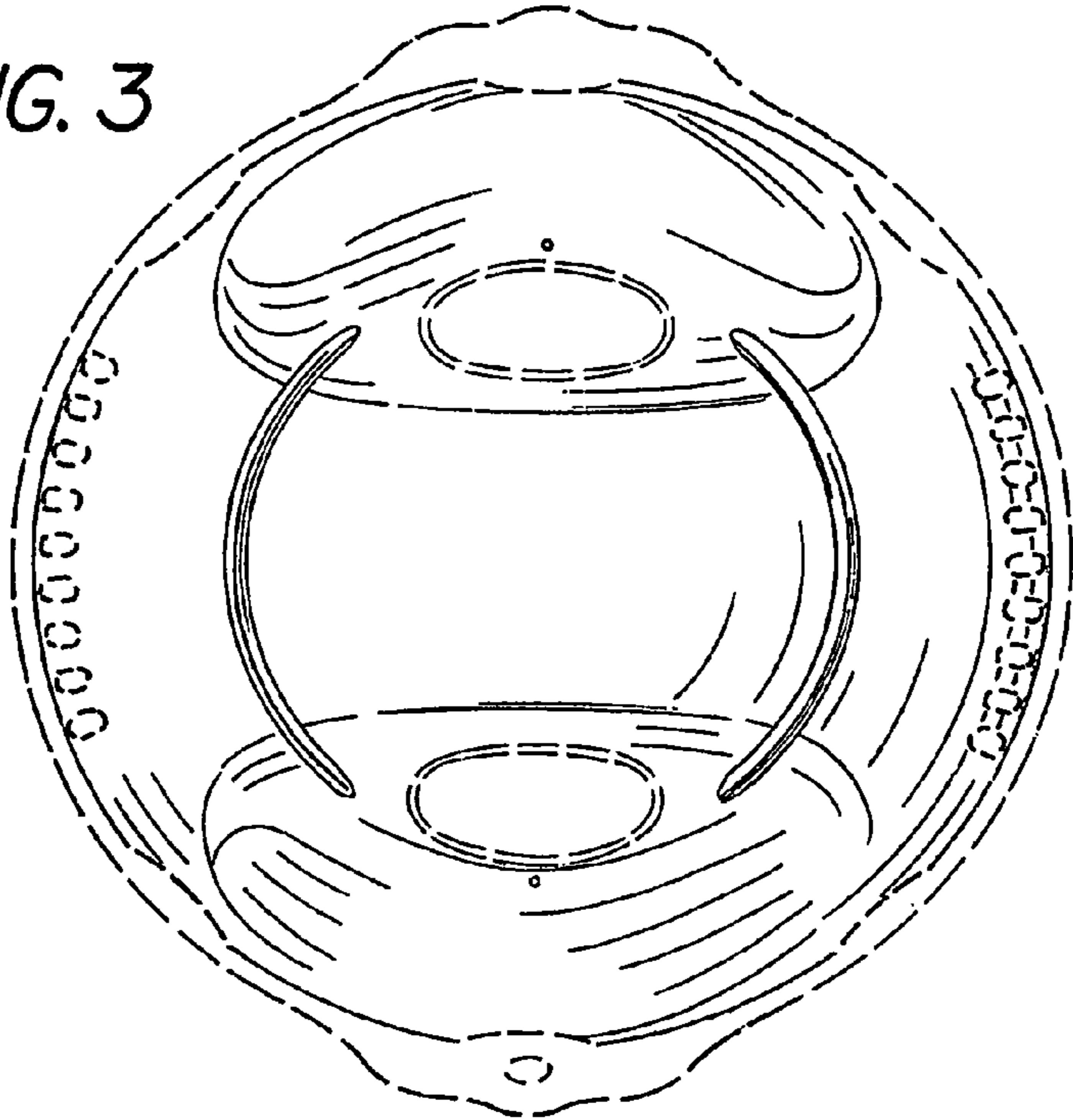


FIG. 4

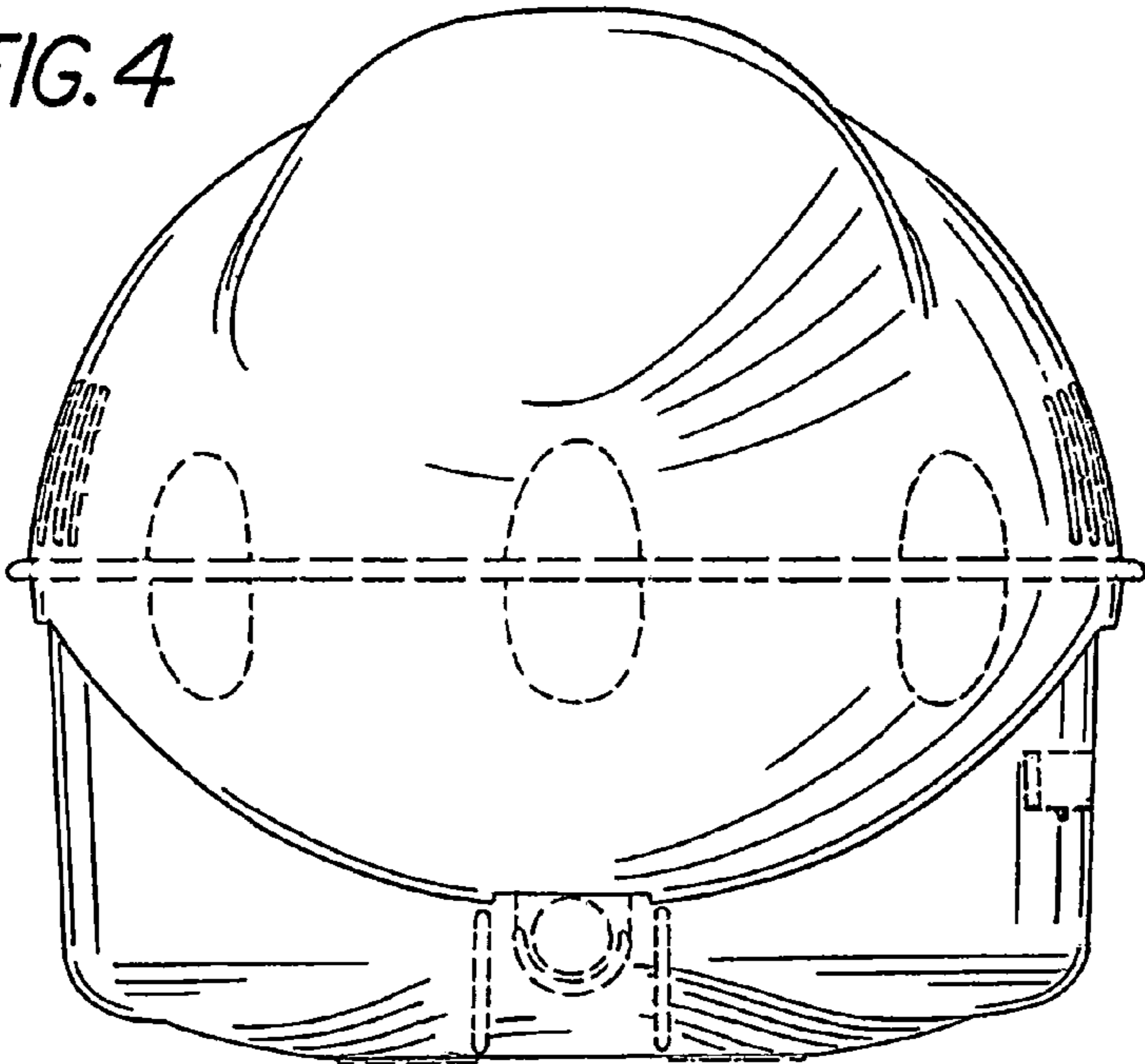


FIG. 5

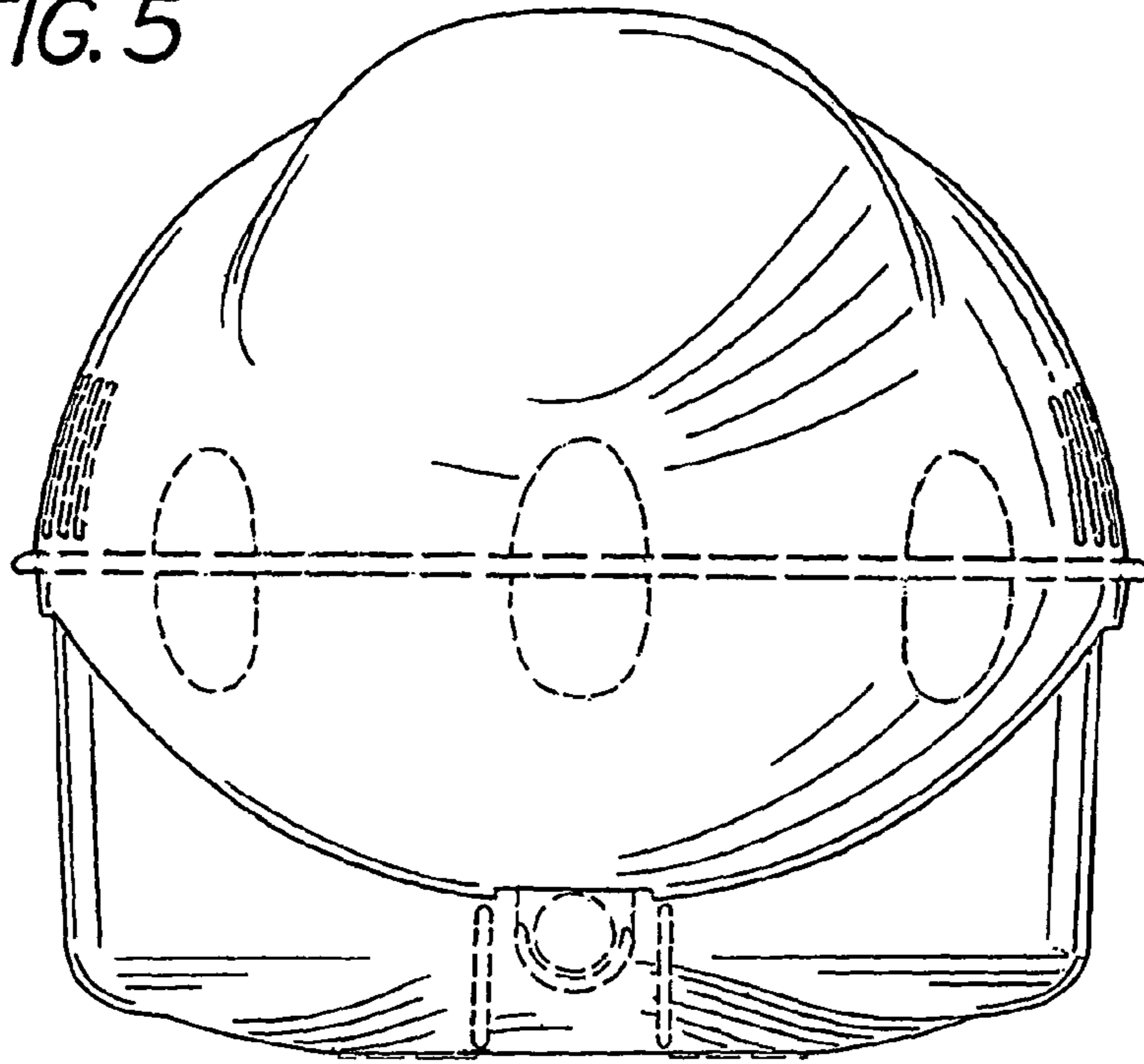


FIG. 6

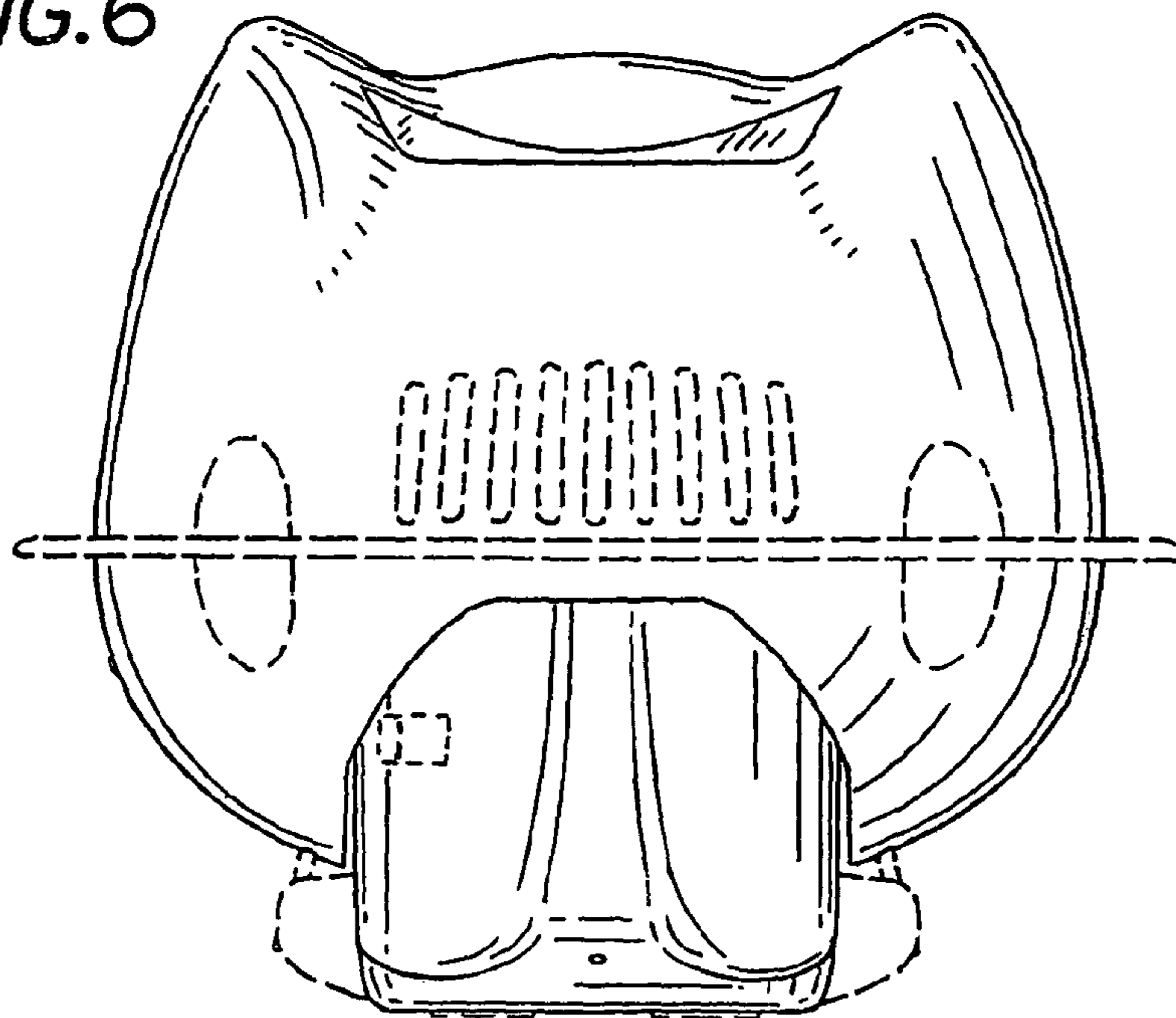


FIG. 7

