



US00D723655S

(12) **United States Design Patent**  
**Deguchi et al.**

(10) **Patent No.:** **US D723,655 S**  
(45) **Date of Patent:** **\*\* Mar. 3, 2015**

(54) **FISHING REEL**

FOREIGN PATENT DOCUMENTS

(71) Applicant: **Shimano Inc.**, Sakai, Osaka (JP)  
(72) Inventors: **Tomoya Deguchi**, Osaka (JP); **Akira Nago**, Osaka (JP); **Masakazu Iwabuchi**, Osaka (JP)

JP 1304978 S 7/2007

\* cited by examiner

*Primary Examiner* — Catheri Oliver-Garcia  
(74) *Attorney, Agent, or Firm* — Global IP Counselors

(73) Assignee: **Shimano Inc.**, Osaka (JP)

(\*\*) Term: **14 Years**

(57) **CLAIM**

The ornamental design for fishing reel, as shown and described.

(21) Appl. No.: **29/488,106**

(22) Filed: **Apr. 16, 2014**

**DESCRIPTION**

(30) **Foreign Application Priority Data**

Oct. 30, 2013 (JP) ..... 2013-025313

(51) **LOC (10) Cl.** ..... **22-05**

(52) **U.S. Cl.**  
USPC ..... **D22/141**

(58) **Field of Classification Search**  
USPC ..... D22/137-141; 242/310-316, 223-224,  
242/230, 283, 322, 241-243, 227;  
43/19-22

See application file for complete search history.

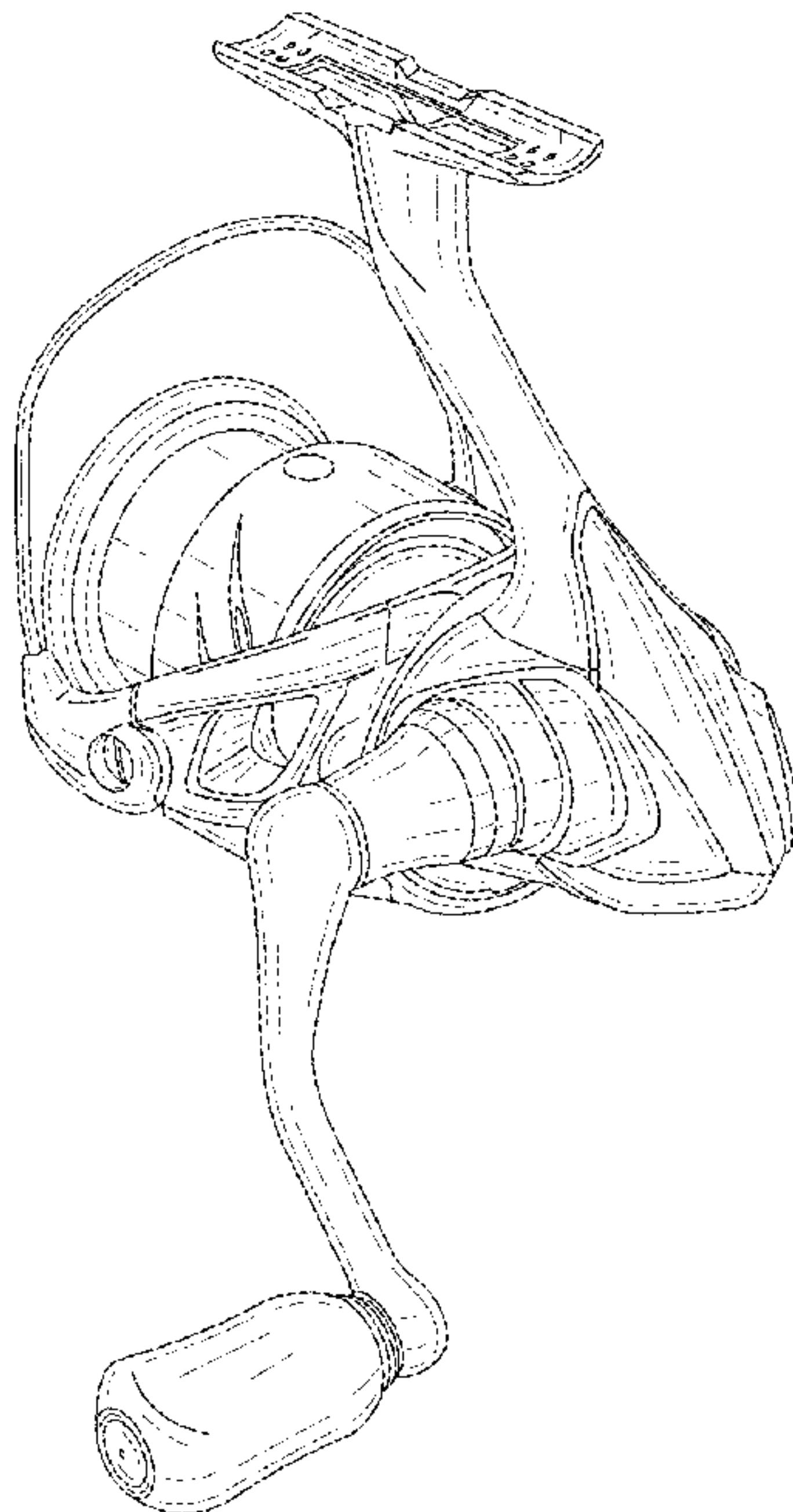
FIG. 1 is a first perspective view of a fishing reel in accordance with our new design;  
FIG. 2 is a second perspective view of the fishing reel illustrated in FIG. 1;  
FIG. 3 is a side elevational view of the fishing reel illustrated in FIG. 1;  
FIG. 4 is an opposite side elevational view of the fishing reel illustrated in FIG. 1;  
FIG. 5 is a top plan view of the fishing reel illustrated in FIG. 1;  
FIG. 6 is a bottom plan view of the fishing reel illustrated in FIG. 1;  
FIG. 7 is a rear elevational view of the fishing reel illustrated in FIG. 1;  
FIG. 8 is a front elevational view of the fishing reel illustrated in FIG. 1; and  
FIG. 9 is another side elevational view, similar to FIG. 3, of the fishing reel illustrated in FIG. 1, but with the rotor rotated ninety degrees by operation of the handle.

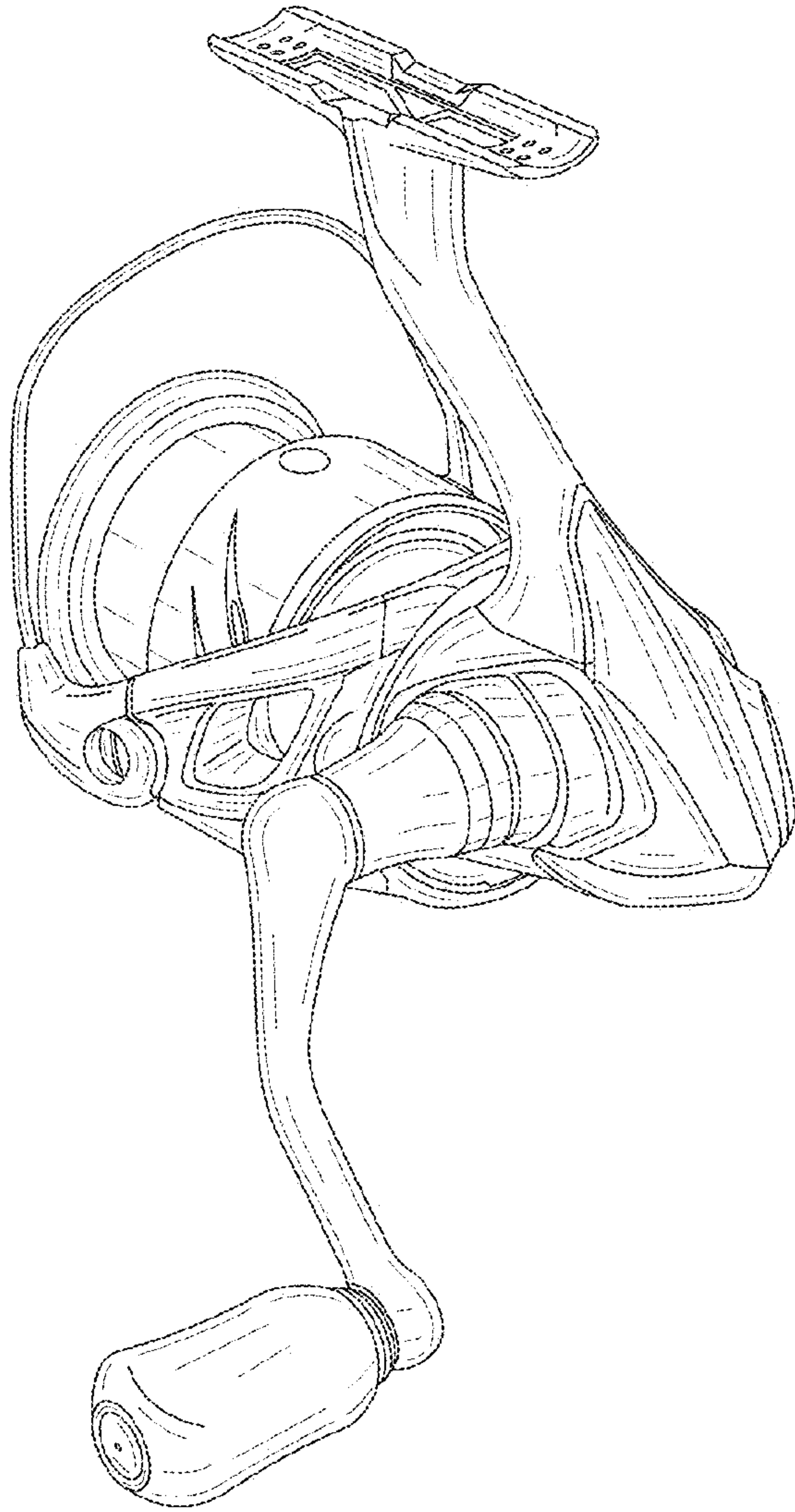
(56) **References Cited**

U.S. PATENT DOCUMENTS

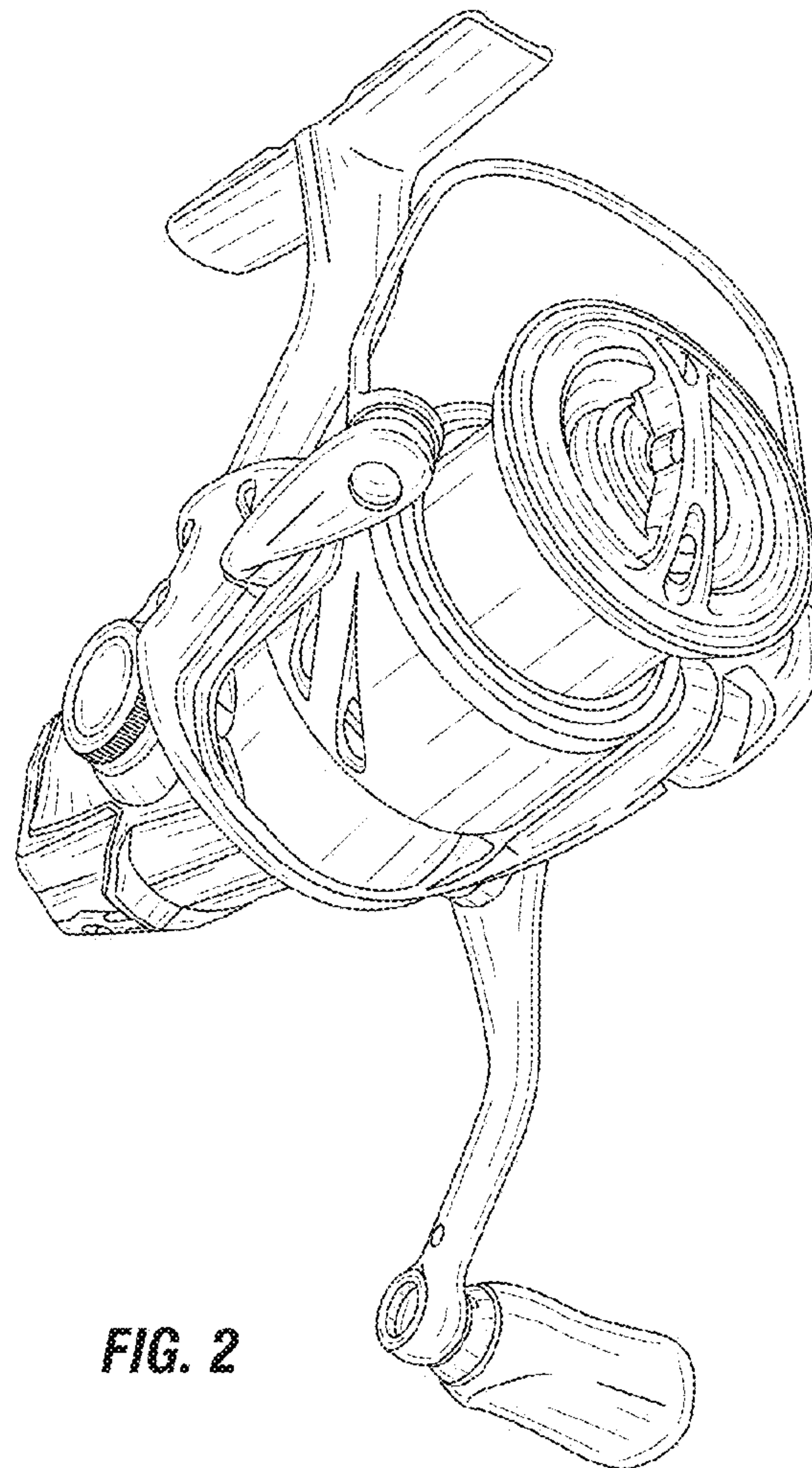
D374,908 S \* 10/1996 Koelewyn ..... D22/141  
D424,657 S \* 5/2000 Kang et al. .... D22/141  
D505,991 S 6/2005 Iwabuchi et al.  
D595,386 S 6/2009 Nago  
D620,073 S \* 7/2010 Tabuse et al. .... D22/141  
D627,417 S 11/2010 Nago  
D685,055 S \* 6/2013 Deguchi ..... D22/141

**1 Claim, 6 Drawing Sheets**

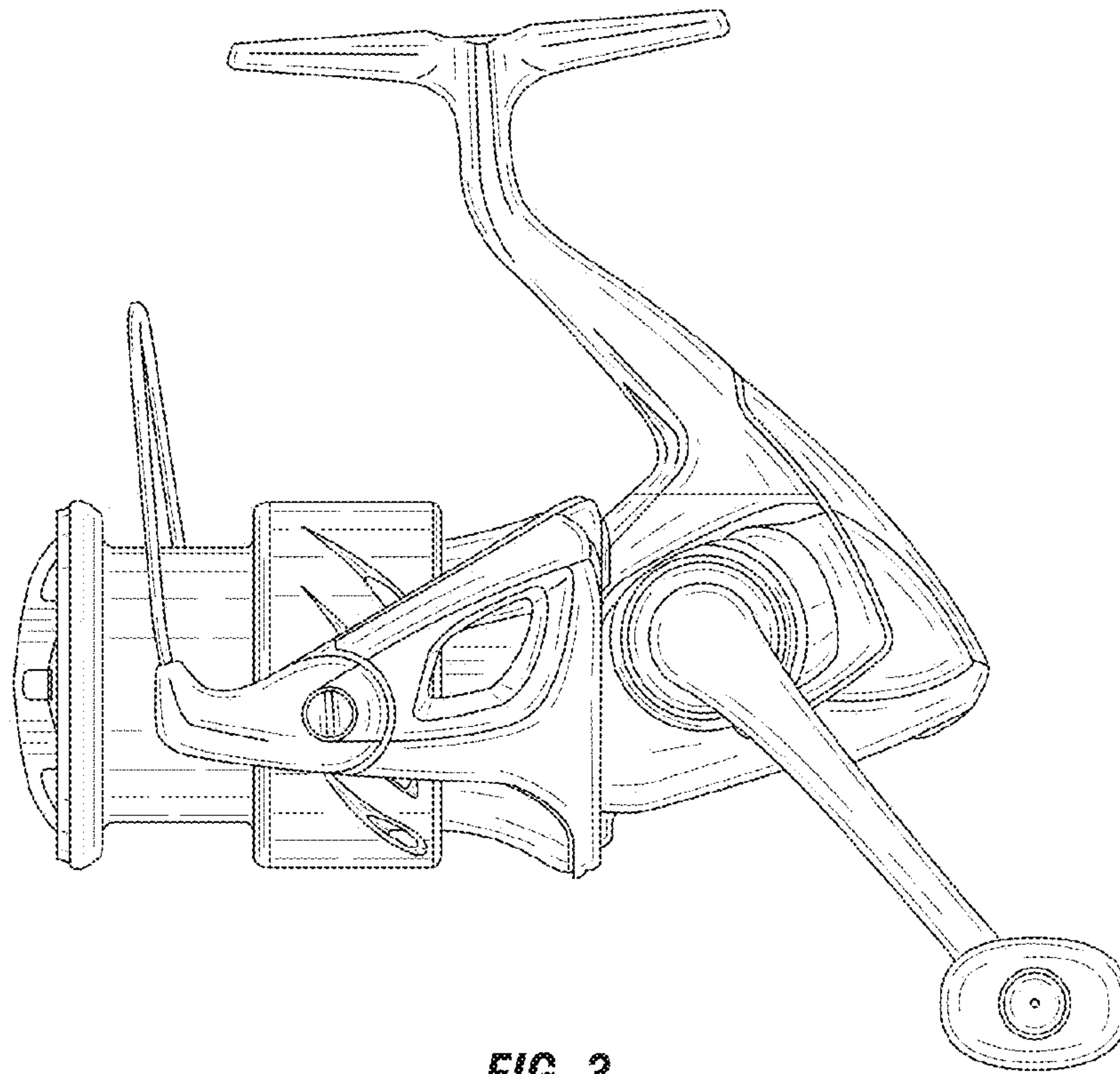




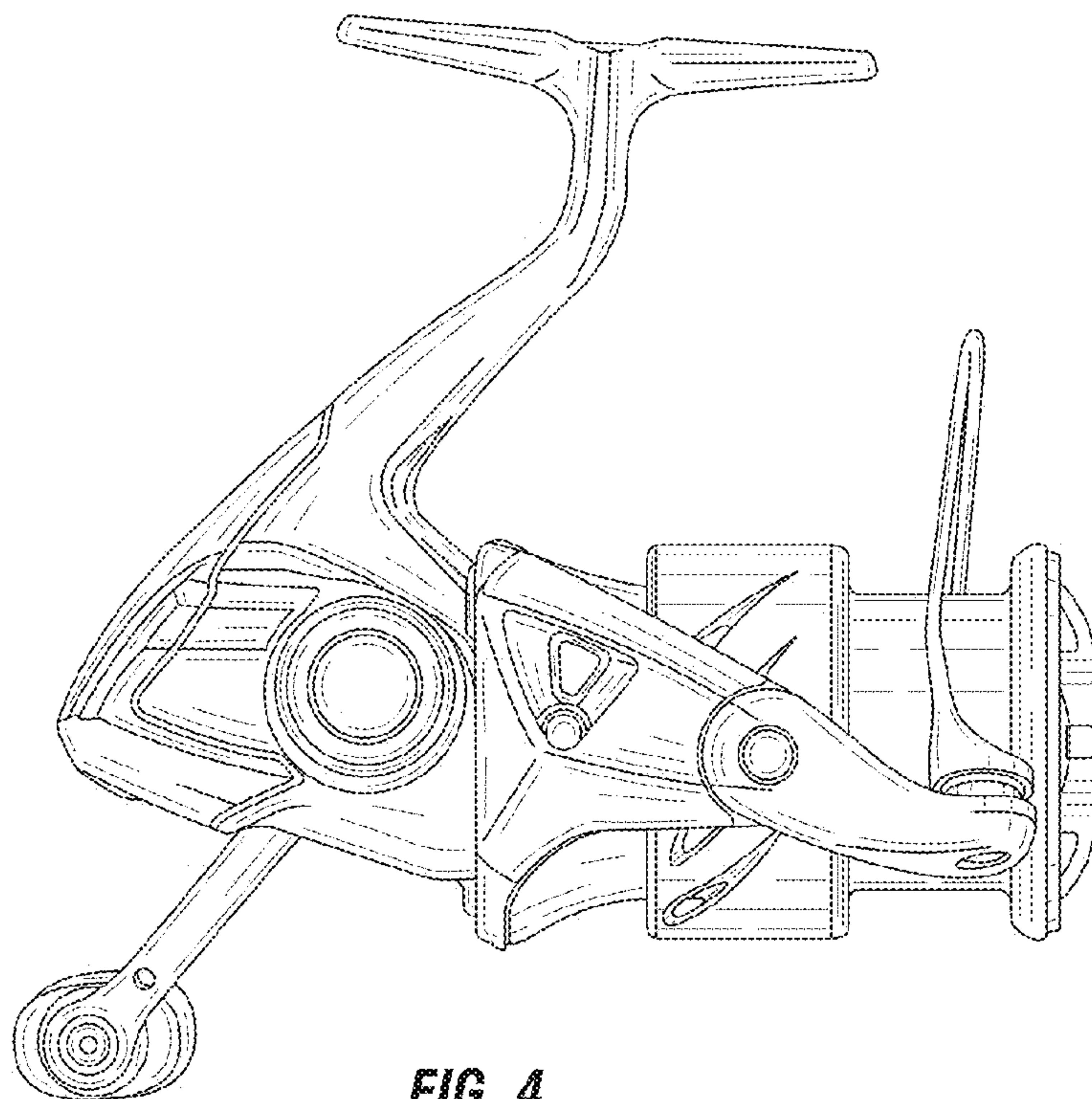
**FIG. 1**



**FIG. 2**

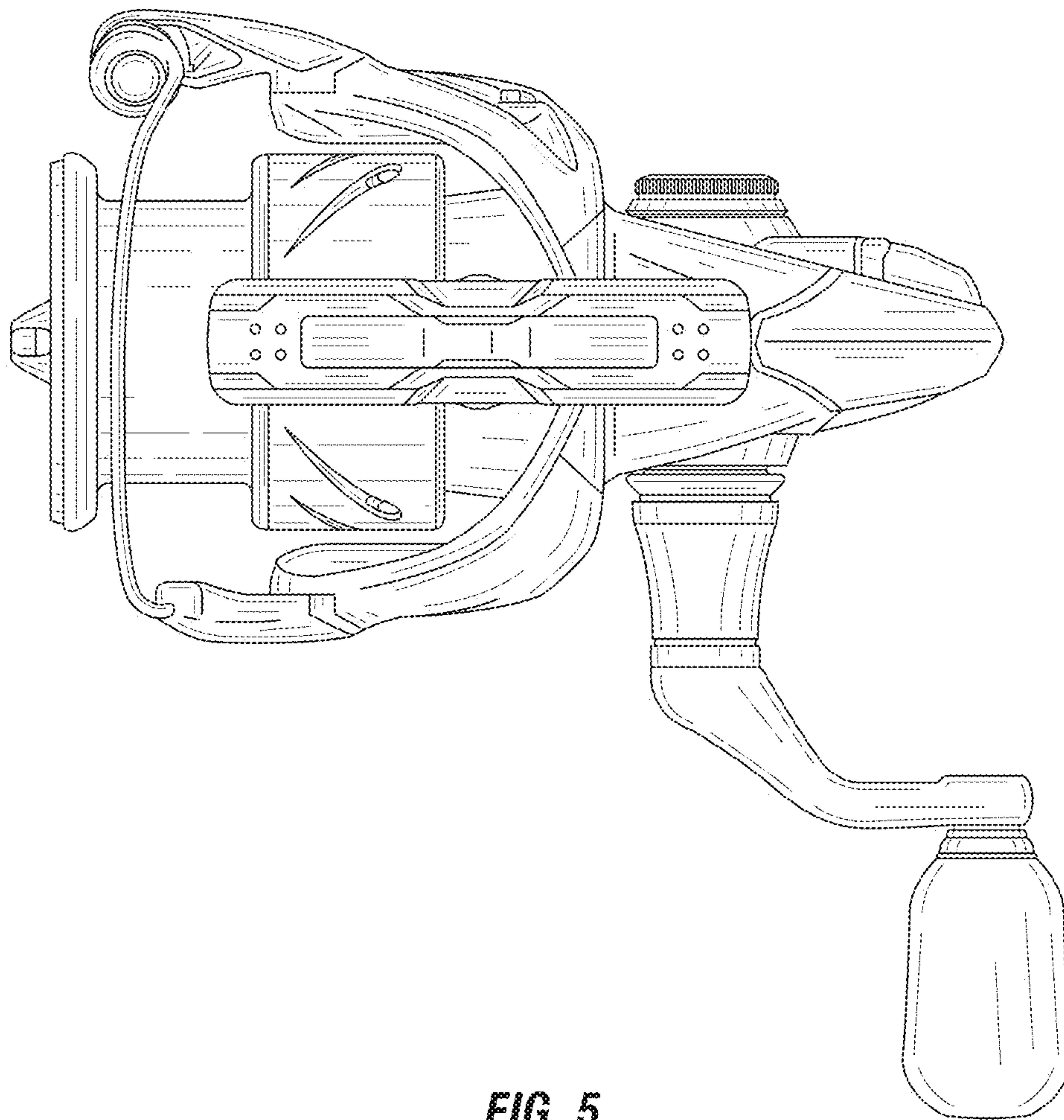


**FIG. 3**



**FIG. 4**





**FIG. 5**

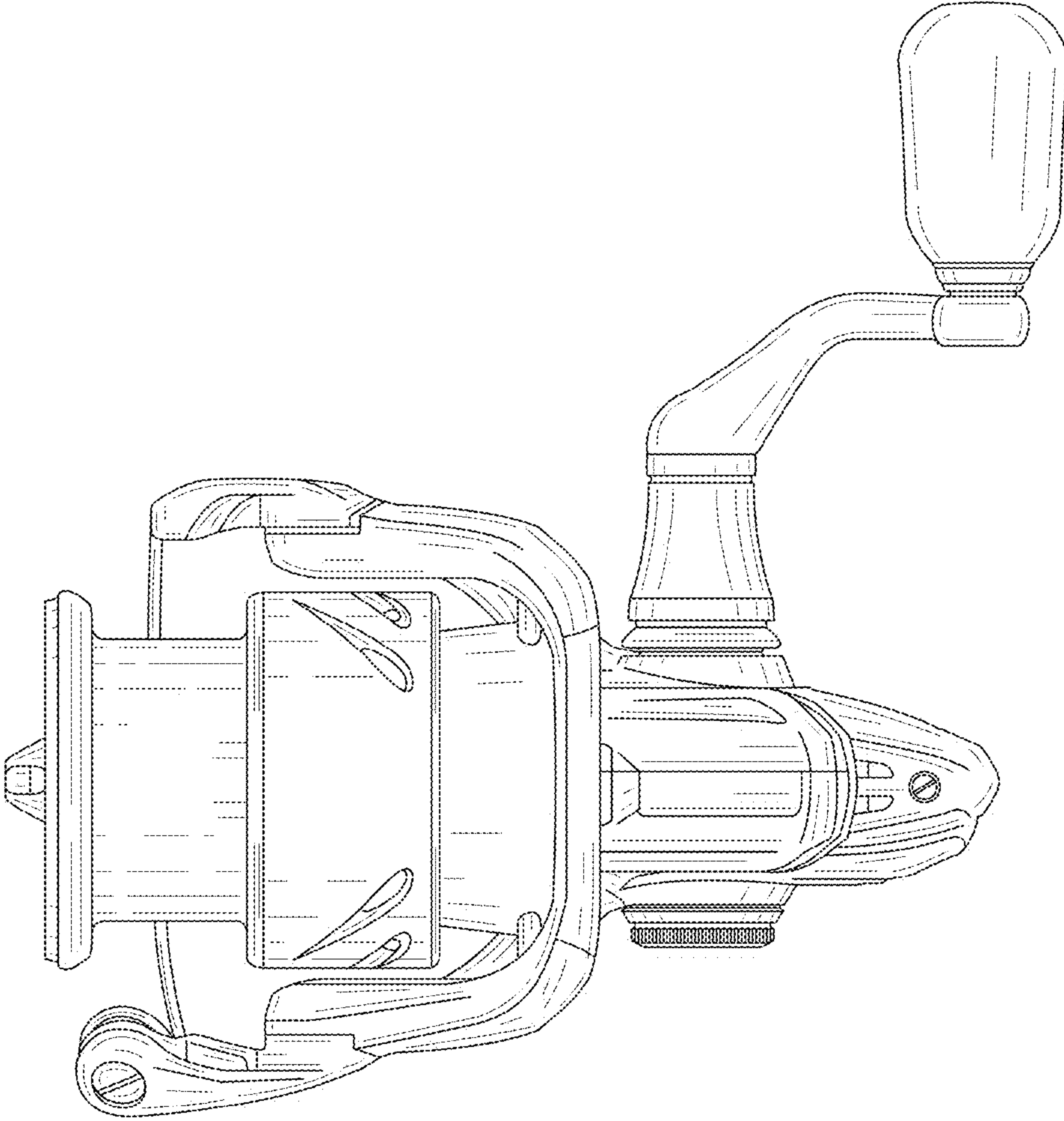


FIG. 6

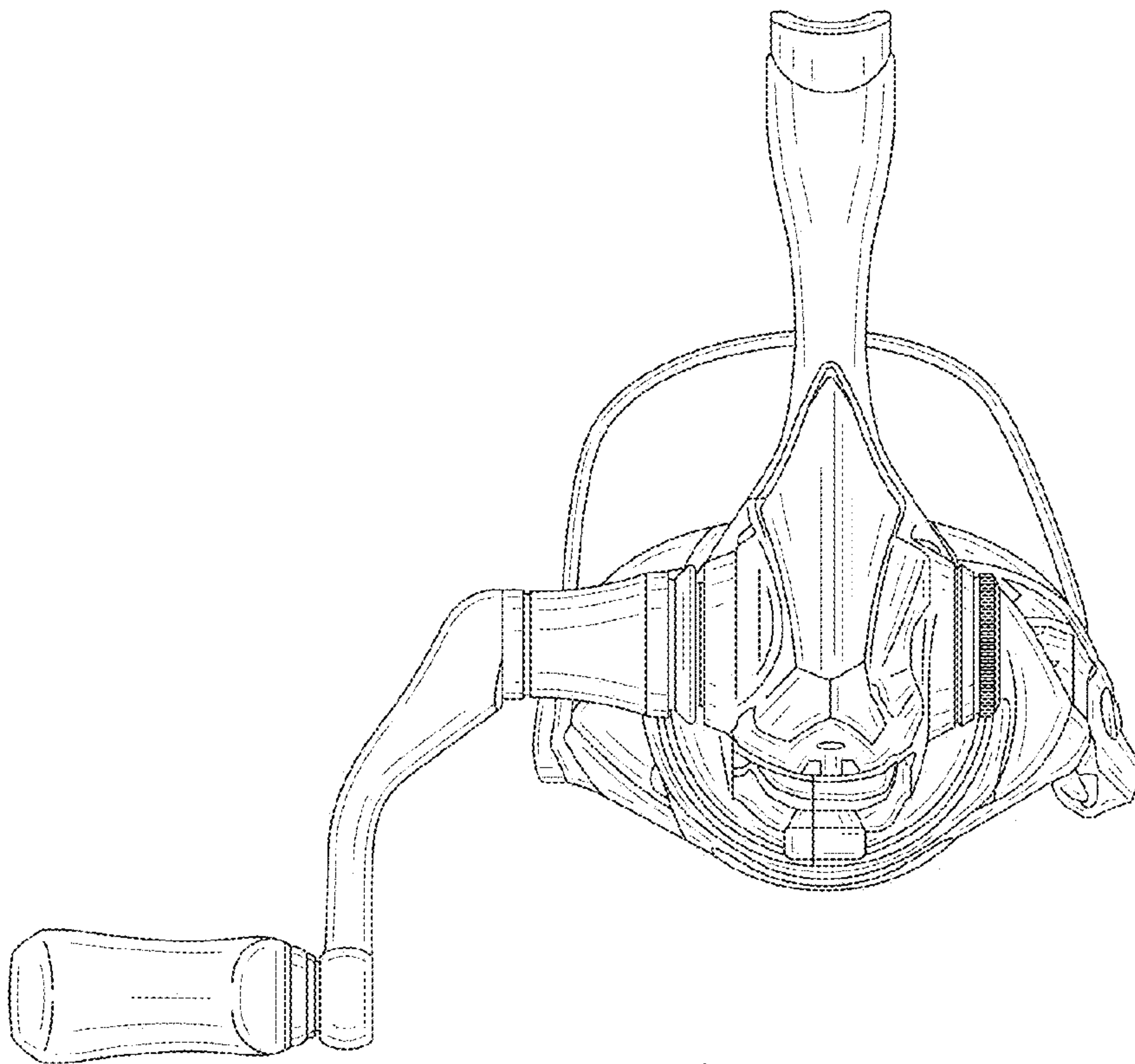


FIG. 7

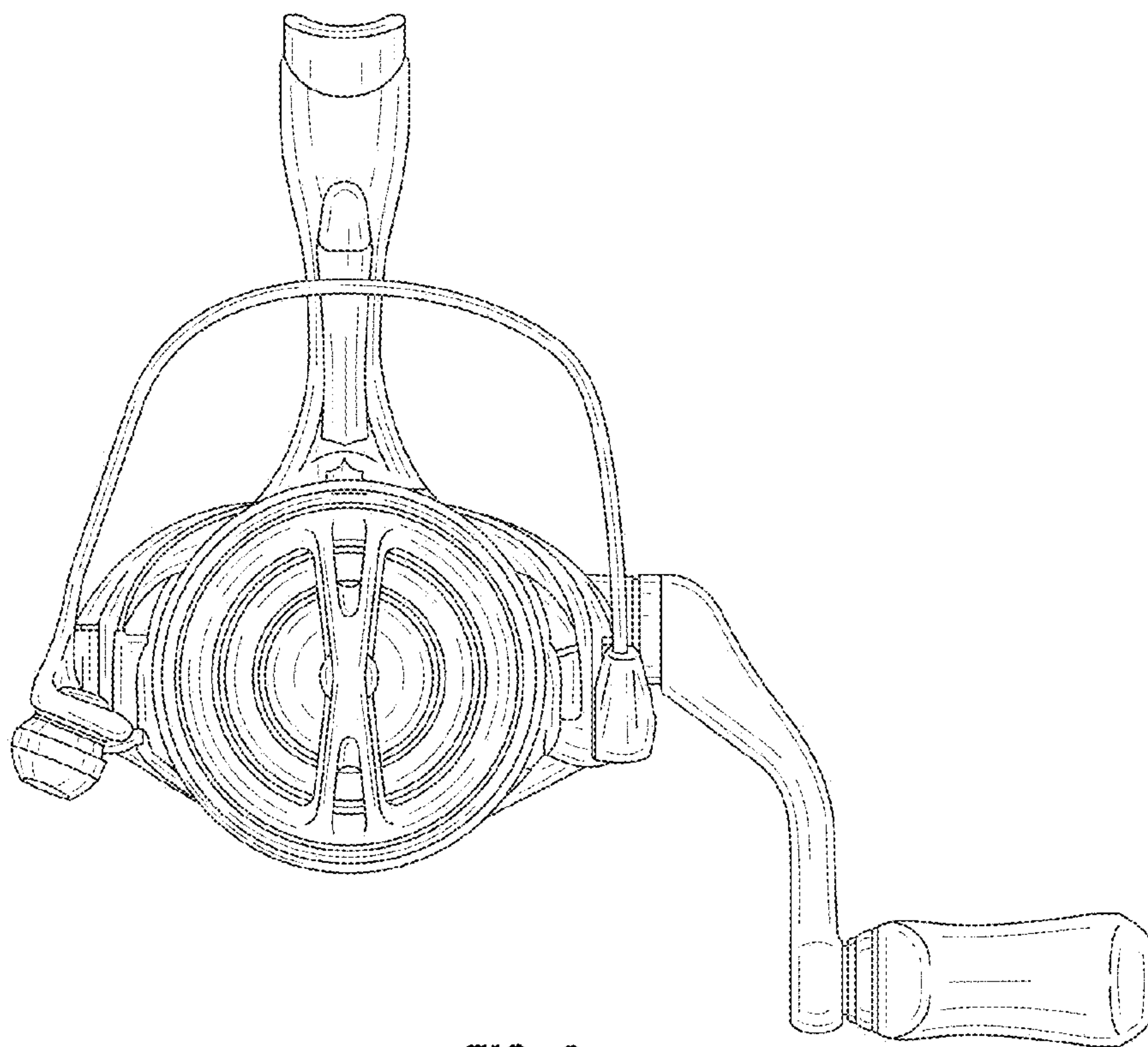
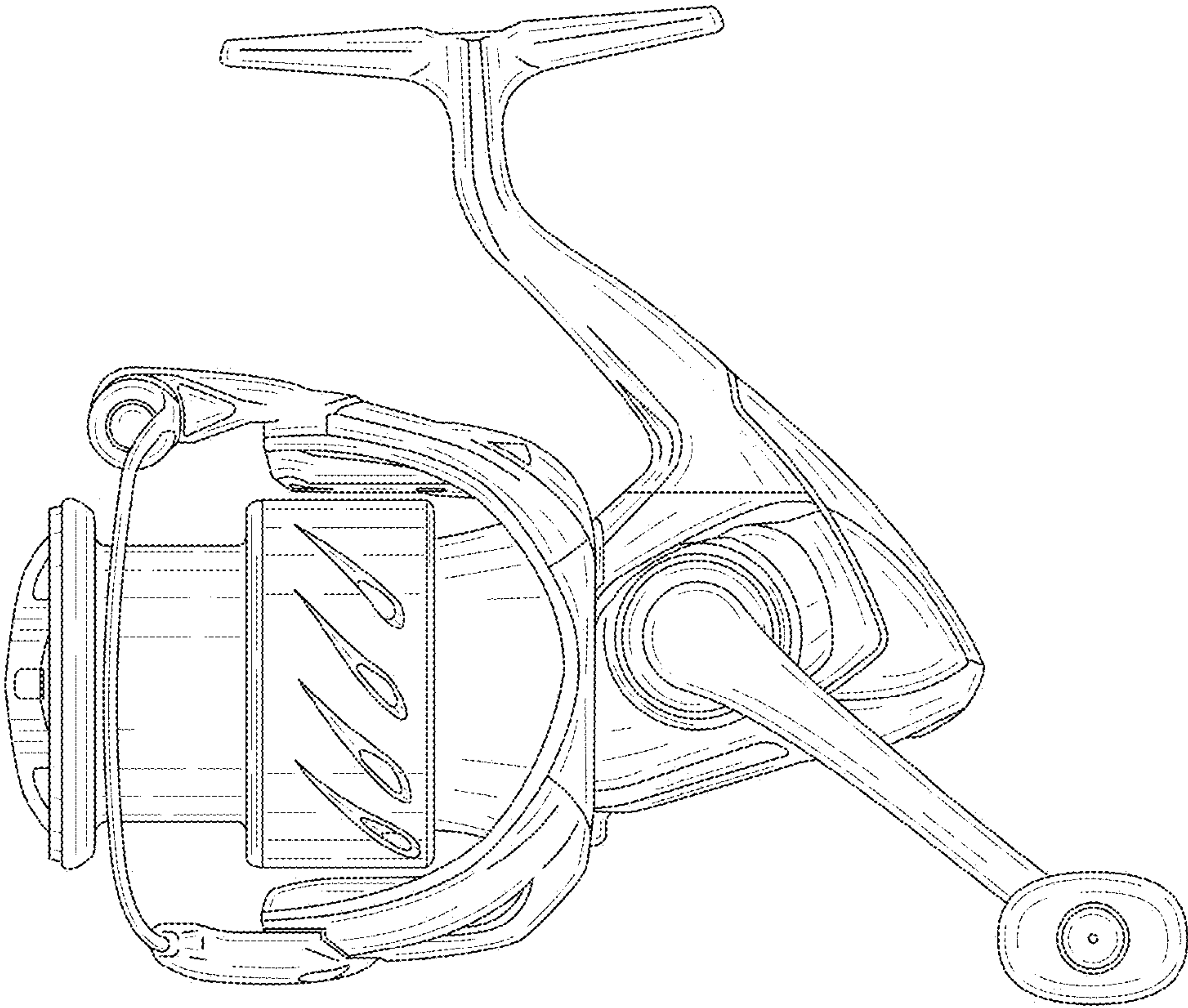


FIG. 8



**FIG. 9**