



US00D723654S

(12) **United States Design Patent**
Liu

(10) **Patent No.:** **US D723,654 S**
(45) **Date of Patent:** **** Mar. 3, 2015**

(54) **ULTRASONIC DOG REPELLER**
(71) Applicant: **Shenzhen Aetertek Technology Co., Ltd.**, Shenzhen (CN)
(72) Inventor: **Yunbing Liu**, Shenzhen (CN)
(**) Term: **14 Years**
(21) Appl. No.: **29/495,841**

Primary Examiner — Catheri Oliver-Garcia
(74) *Attorney, Agent, or Firm* — Prakash Nama; Global IP Services, PLLC

(22) Filed: **Jul. 3, 2014**
(51) **LOC (10) Cl.** **22-06**
(52) **U.S. Cl.**
USPC **D22/120**
(58) **Field of Classification Search**
USPC D22/119–125; 43/1, 59, 112–113, 124, 43/126; D23/366–369; D10/2
See application file for complete search history.

(57) **CLAIM**
The ornamental design for an ultrasonic dog repeller, as shown and described.

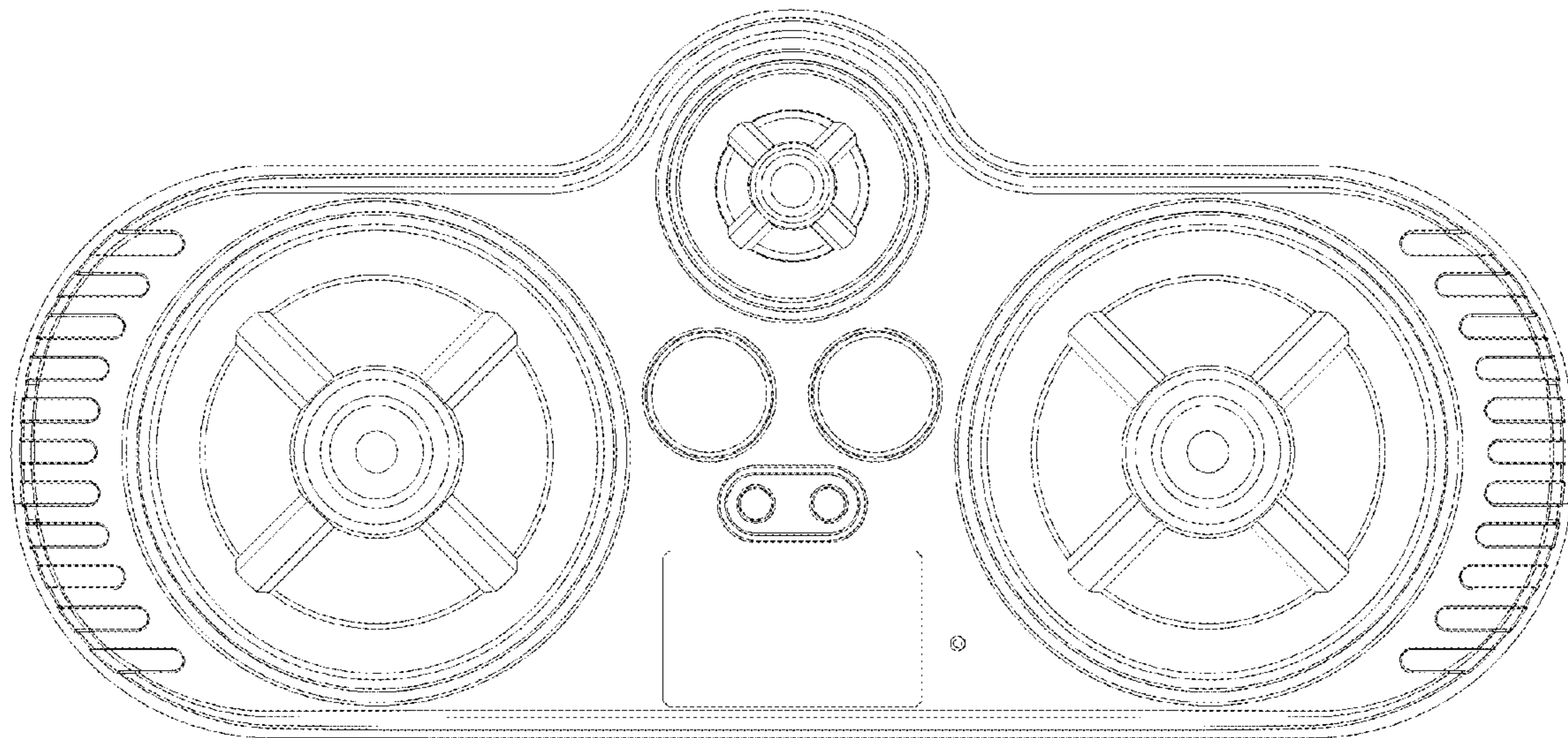
(56) **References Cited**
U.S. PATENT DOCUMENTS
D410,062 S * 5/1999 Jan D22/120
D469,148 S * 1/2003 Levine D22/120
D469,499 S * 1/2003 Levine D22/120
D578,601 S * 10/2008 Jan D22/120
D641,897 S * 7/2011 Weiser D26/26

DESCRIPTION

FIG. 1 is a front elevational view of an ultrasonic dog repeller showing my new design;
FIG. 2 is a rear elevational view thereof;
FIG. 3 is a left side view thereof;
FIG. 4 is a right side view thereof;
FIG. 5 is atop plan view thereof;
FIG. 6 is a bottom plan view thereof;
FIG. 7 is a front, side and bottom perspective view thereof;
FIG. 8 is a front, opposite side and bottom perspective view thereof; and,
FIG. 9 is a bottom, side and rear perspective view.
Broken lines shown in FIG. 2 form no part of the claimed design.

* cited by examiner

1 Claim, 5 Drawing Sheets



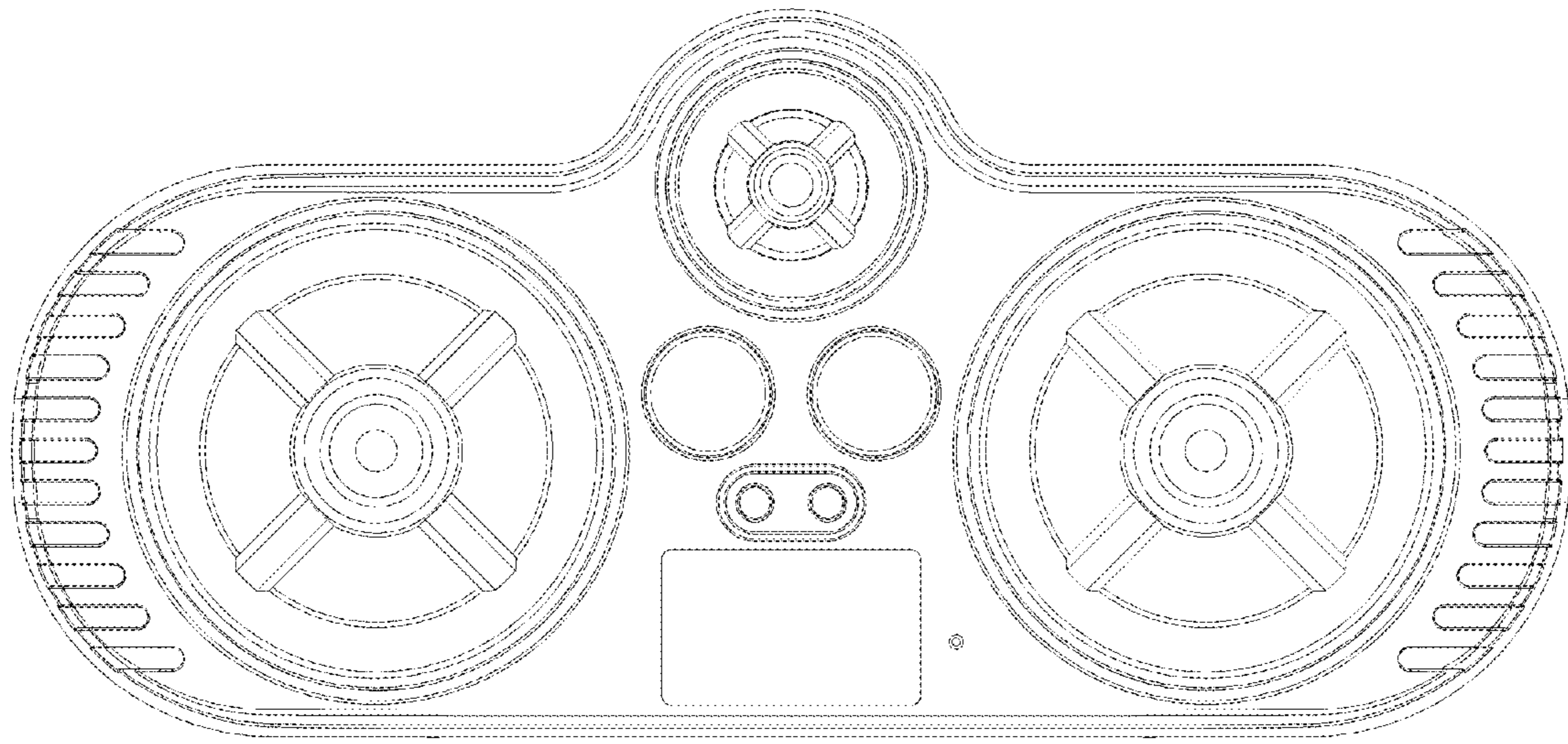


FIG. 1

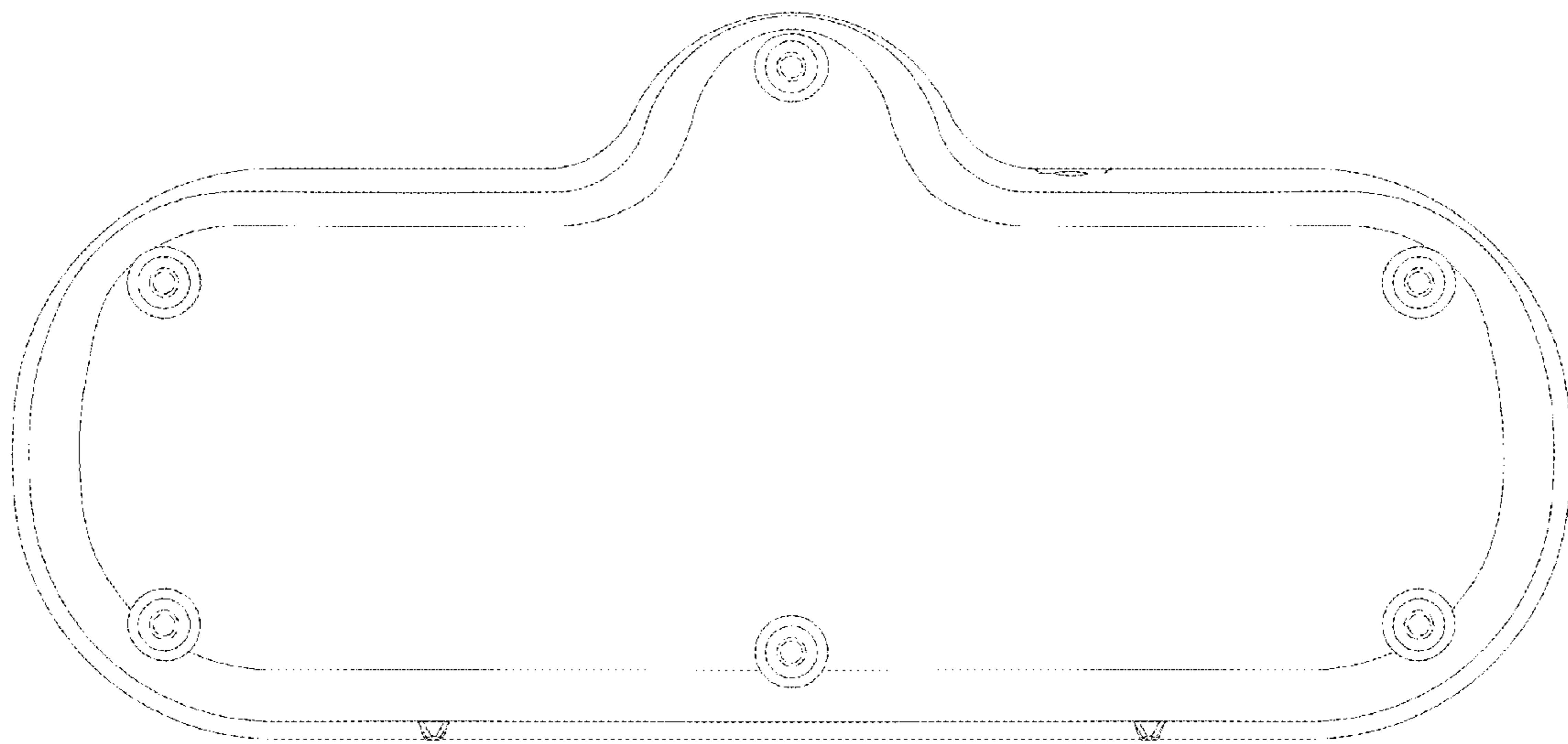


FIG. 2

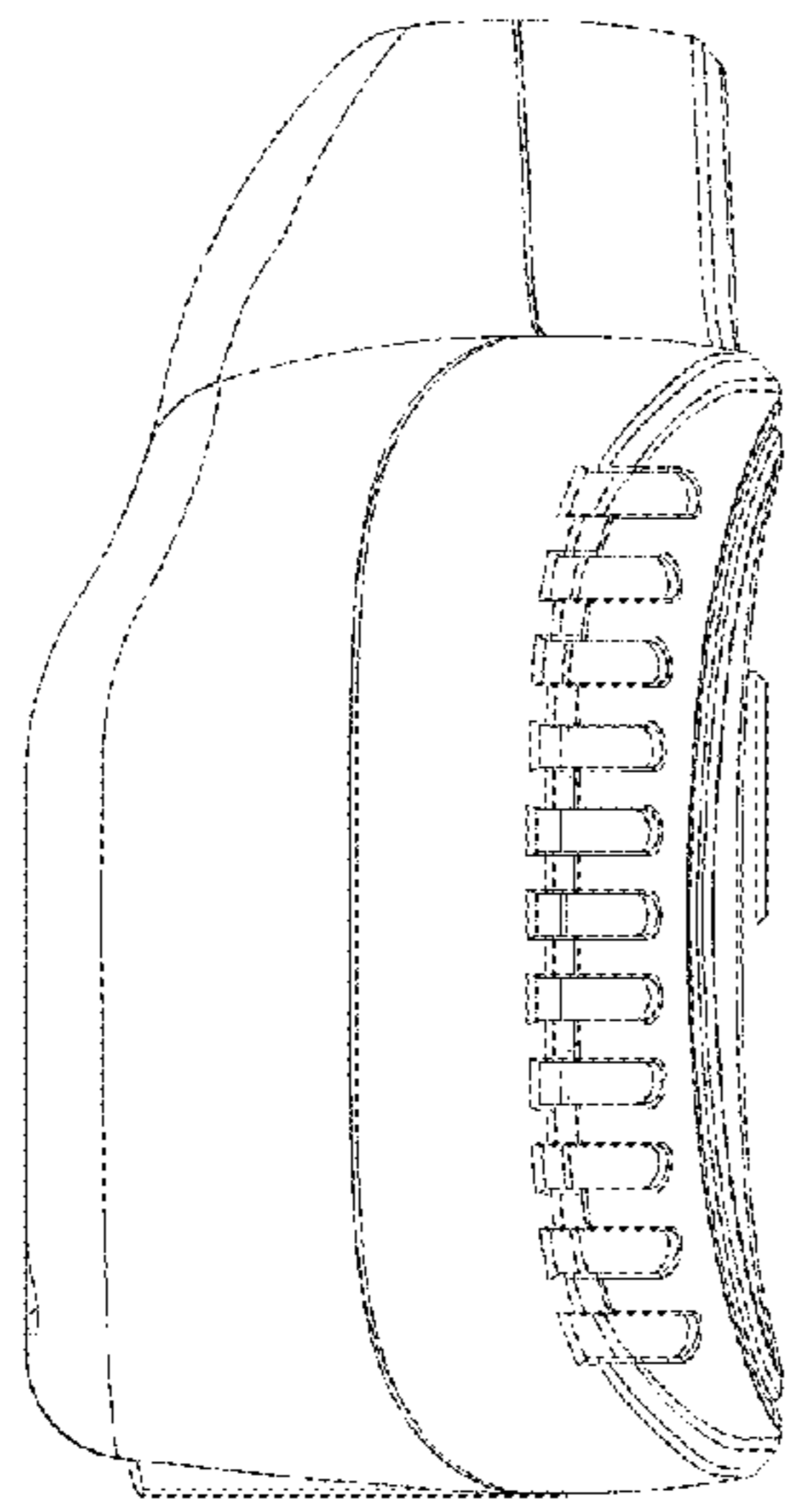


FIG. 3

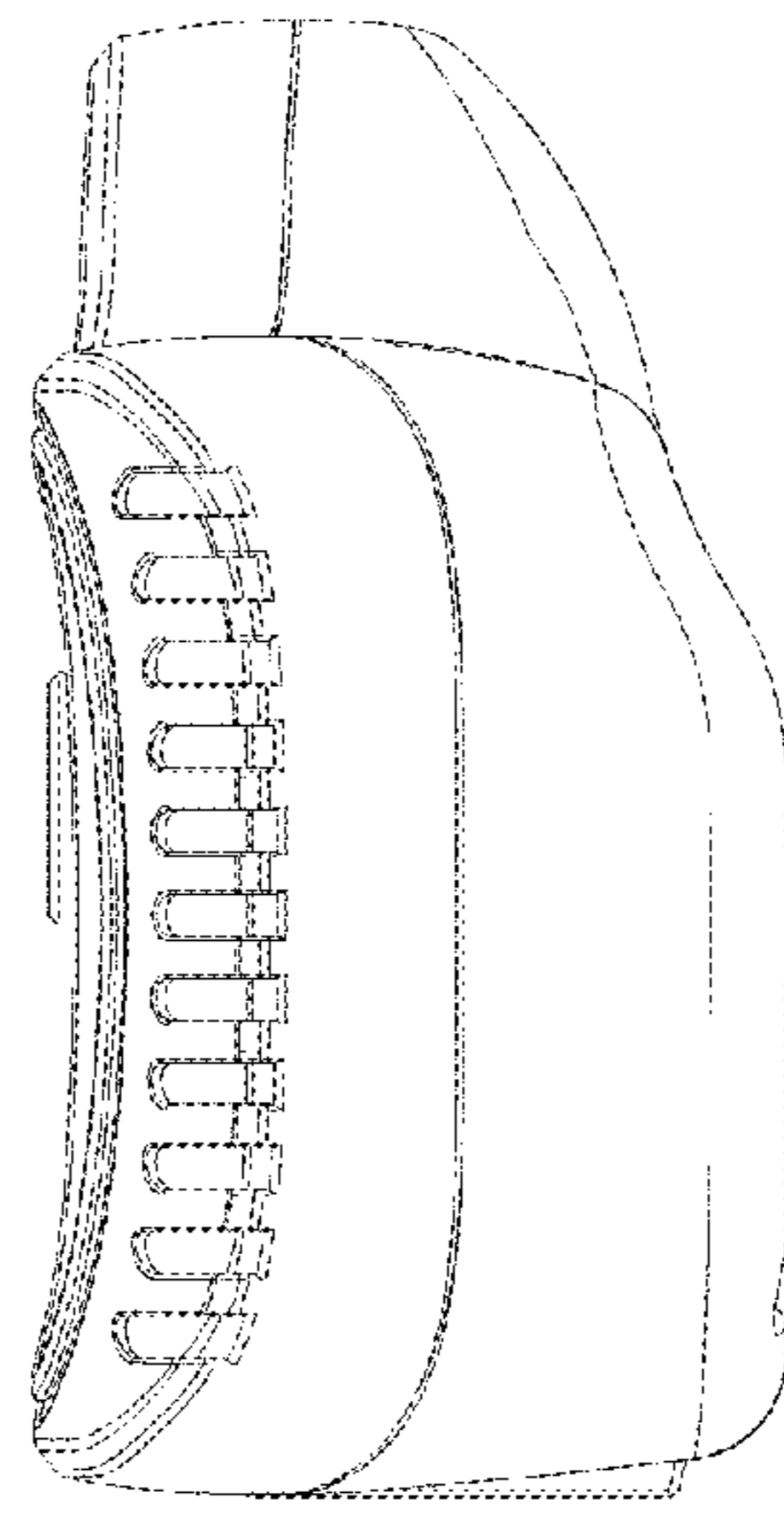


FIG. 4

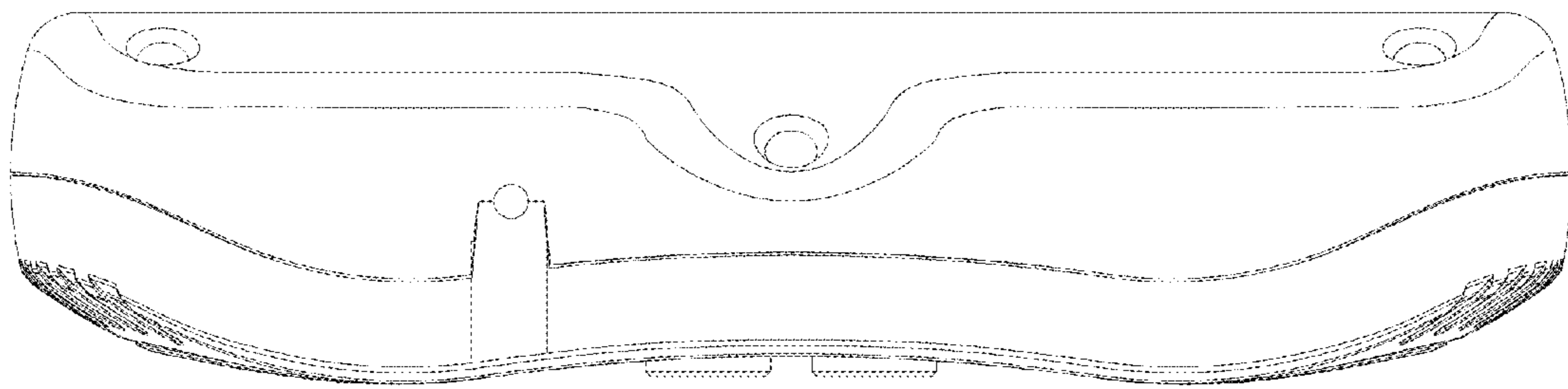


FIG. 5

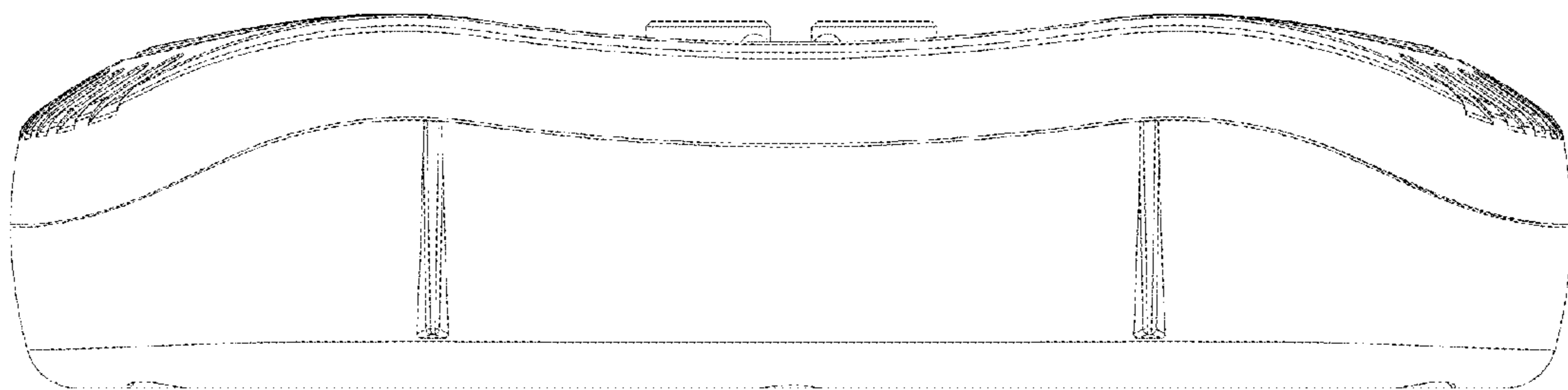


FIG. 6

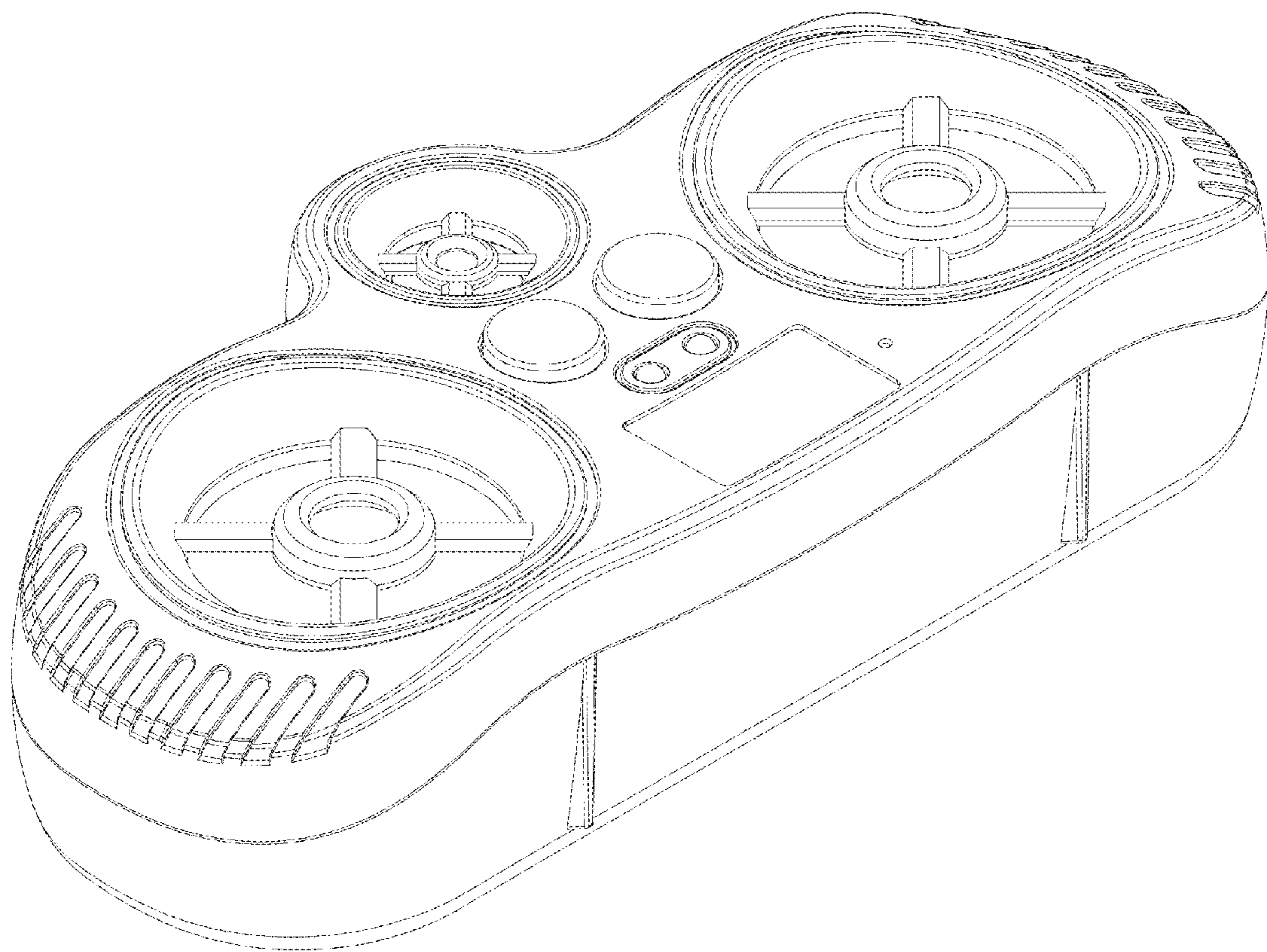


FIG. 7

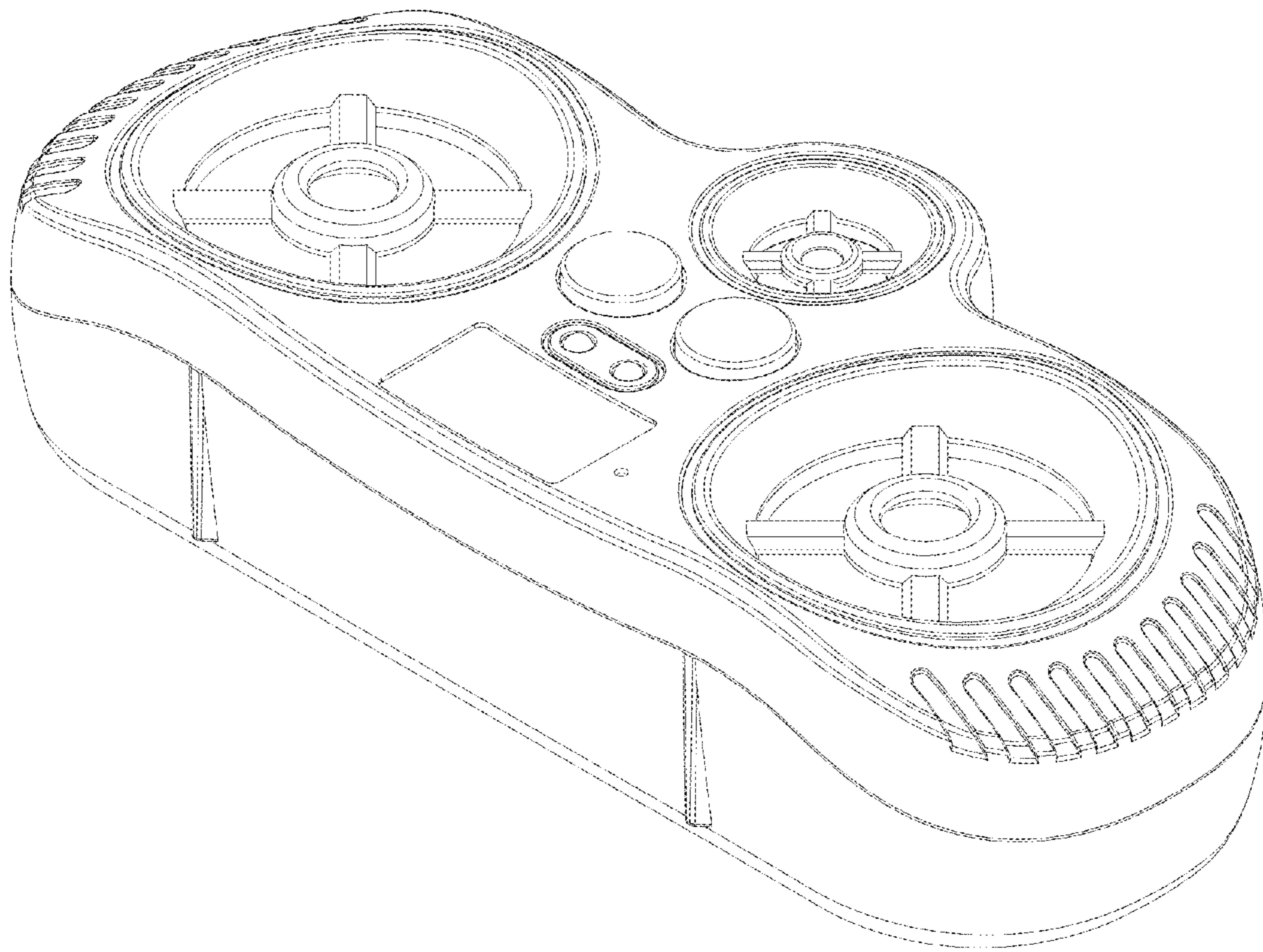


FIG. 8

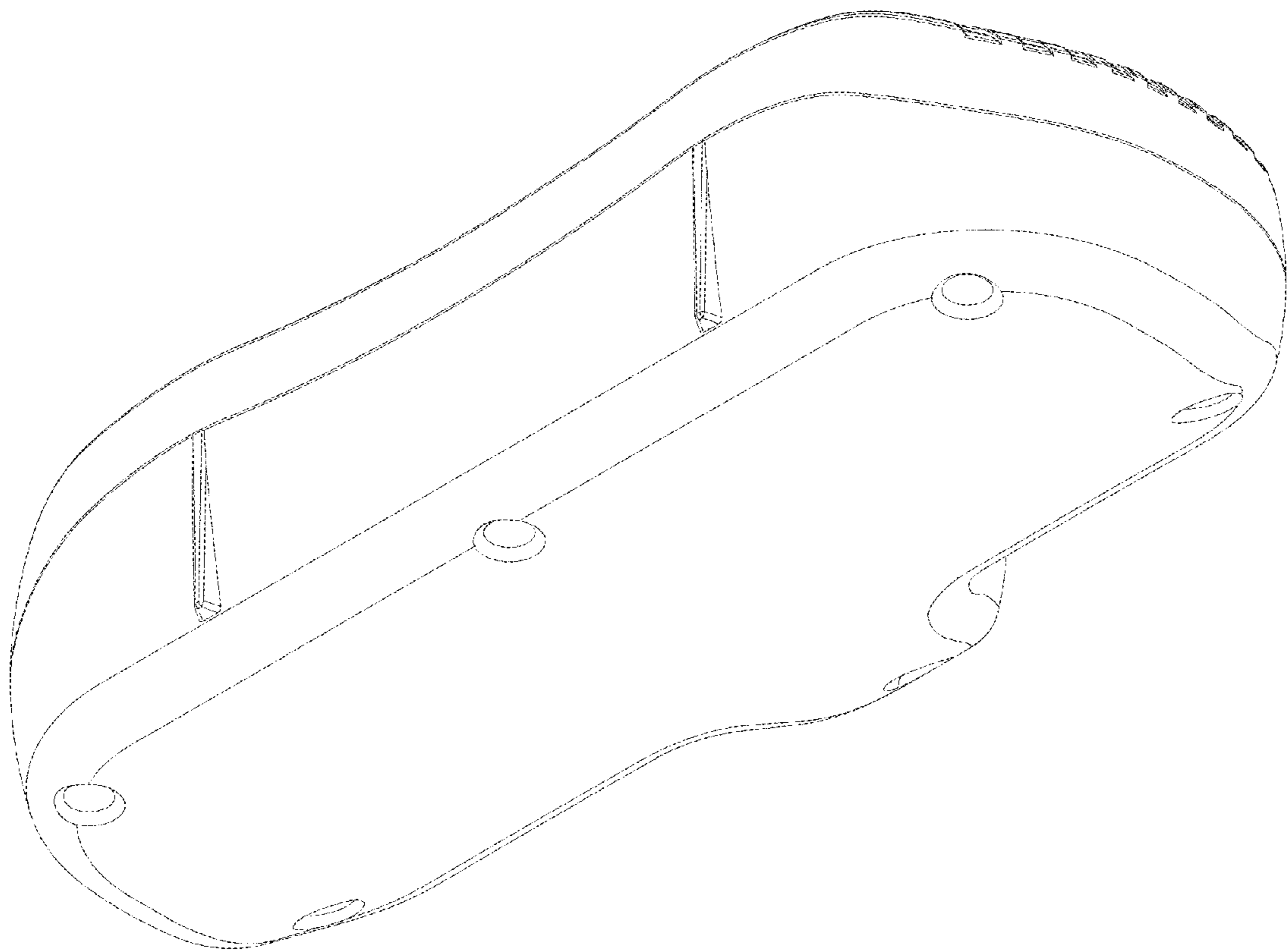


FIG. 9