



US00D723652S

(12) **United States Design Patent**
Radau et al.

(10) **Patent No.:** **US D723,652 S**
(45) **Date of Patent:** **** Mar. 3, 2015**

(54) **SCOPE**

(71) Applicants: **Nils Radau**, Salzburg (AT); **Kathrin Pfeiffer**, Giessen (DE)

(72) Inventors: **Nils Radau**, Salzburg (AT); **Kathrin Pfeiffer**, Giessen (DE)

(73) Assignee: **Carl Zeiss Sports Optics GmbH**, Wetzlar (DE)

(**) Term: **14 Years**

(21) Appl. No.: **29/470,423**

(22) Filed: **Oct. 21, 2013**

(51) **LOC (10) Cl.** **22-01**

(52) **U.S. Cl.**
USPC **D22/109**

(58) **Field of Classification Search**

CPC F41G 1/00; F41G 1/01; F41G 1/02;
F41G 1/06; F41G 1/065; F41G 1/08; F41G
1/10; F41G 1/12; F41G 1/14; F41G 1/30;
F41G 1/32; F41G 1/38; F41G 1/40; F41G
1/42; F41G 1/44; F41G 1/46; F41G 1/383;
F41G 1/387; F41G 1/393; F41G 3/00; F41G
3/005; F41G 3/02; F41G 3/04; F41G 3/06;
F41G 3/14; F41G 11/002; F41G 11/003;
F41G 11/004; F41G 11/005
USPC D22/108–110; D16/130, 132–134, 330;
359/399, 823, 744; 42/111, 133, 119,
42/122

See application file for complete search history.

(56) **References Cited**

U.S. PATENT DOCUMENTS

6,691,447 B1 * 2/2004 Otteman 42/122
D668,312 S * 10/2012 Asano D22/109

(Continued)

Primary Examiner — Michael A Pratt

(74) *Attorney, Agent, or Firm* — Walter Ottesen P.A.

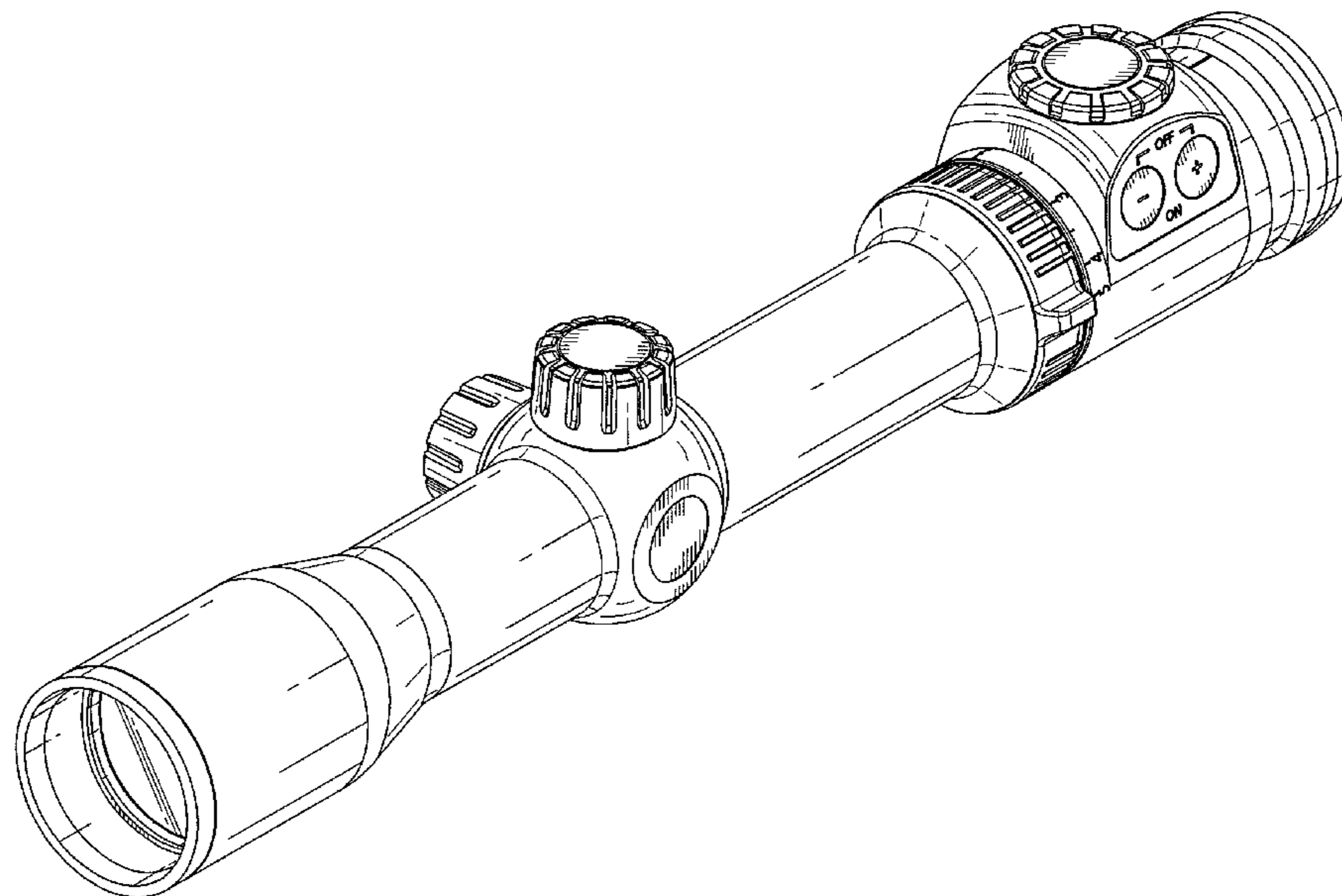
(57) **CLAIM**

The ornamental design for a scope, as shown and described.

DESCRIPTION

FIG. 1 is a perspective view of a first embodiment of the scope of our new design;
FIG. 2 is a left side elevation view of the scope of FIG. 1;
FIG. 3 is a right side elevation view of the scope of FIG. 1;
FIG. 4 is a top plan view of the scope of FIG. 1;
FIG. 5 is a bottom plan view of the scope of FIG. 1;
FIG. 6 is a front elevation view of the scope of FIG. 1;
FIG. 7 is a rear elevation view of the scope of FIG. 1;
FIG. 8 is a perspective view of a second embodiment of the scope of our new design;
FIG. 9 is a left side elevation view of the scope of FIG. 8;
FIG. 10 is a right side elevation view of the scope of FIG. 8;
FIG. 11 is a top plan view of the scope of FIG. 8;
FIG. 12 is a bottom plan view of the scope of FIG. 8;
FIG. 13 is a front elevation view of the scope of FIG. 8;
FIG. 14 is a rear elevation view of the scope of FIG. 8;
FIG. 15 is a perspective view of a third embodiment of the scope of our new design;
FIG. 16 is a left side elevation view of the scope of FIG. 15;
FIG. 17 is a right side elevation view of the scope of FIG. 15;
FIG. 18 is a top plan view of the scope of FIG. 15;
FIG. 19 is a bottom plan view of the scope of FIG. 15;
FIG. 20 is a front elevation view of the scope of FIG. 15; and,
FIG. 21 is a rear elevation view of the scope of FIG. 15.

1 Claim, 12 Drawing Sheets



(56)

References Cited

U.S. PATENT DOCUMENTS

D681,152 S * 4/2013 Burzel et al. D22/109
D689,163 S * 9/2013 Radau et al. D22/109

D689,582 S * 9/2013 Radau et al. D22/109
D706,380 S * 6/2014 Gardiner et al. D22/109
D707,324 S * 6/2014 Radau et al. D22/109
2014/0230306 A1* 8/2014 Arachequesne 42/119

* cited by examiner

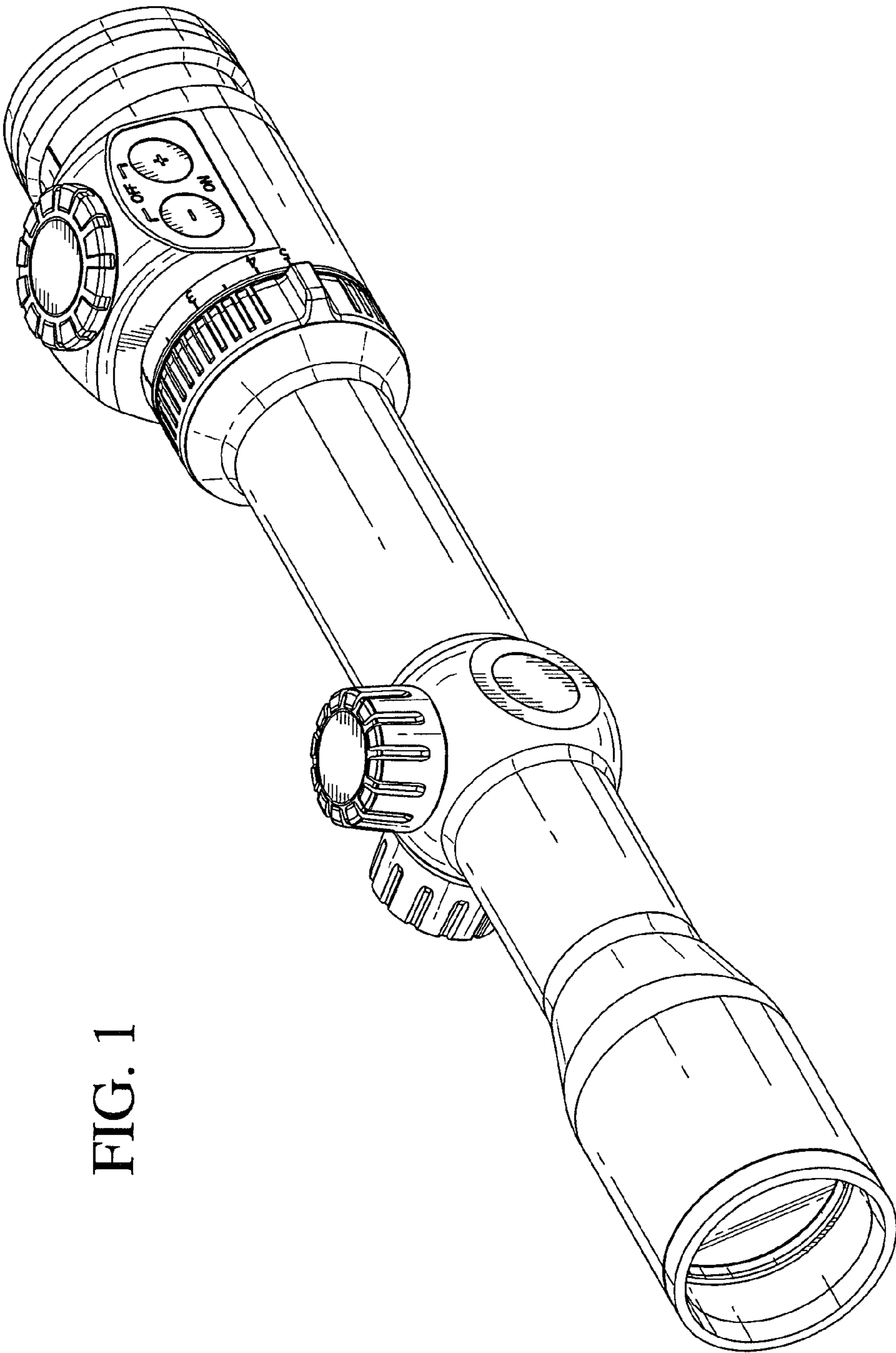


FIG. 1

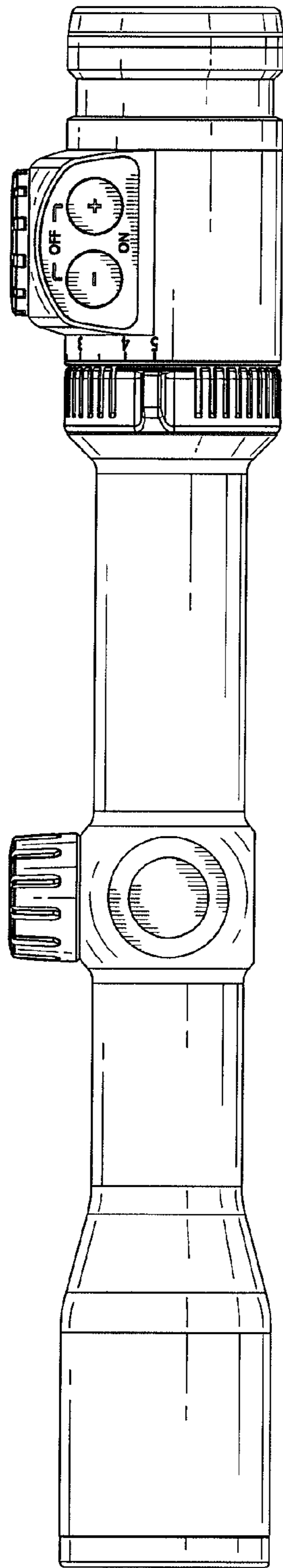


FIG. 2

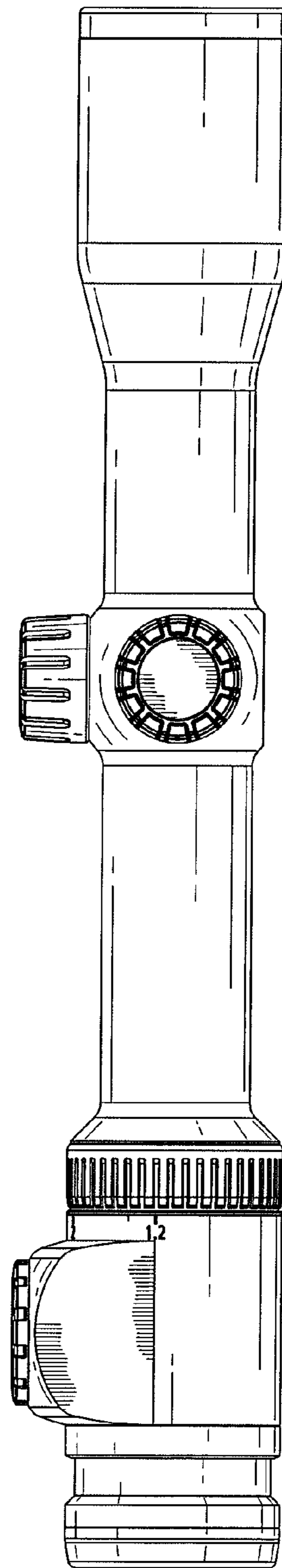


FIG. 3

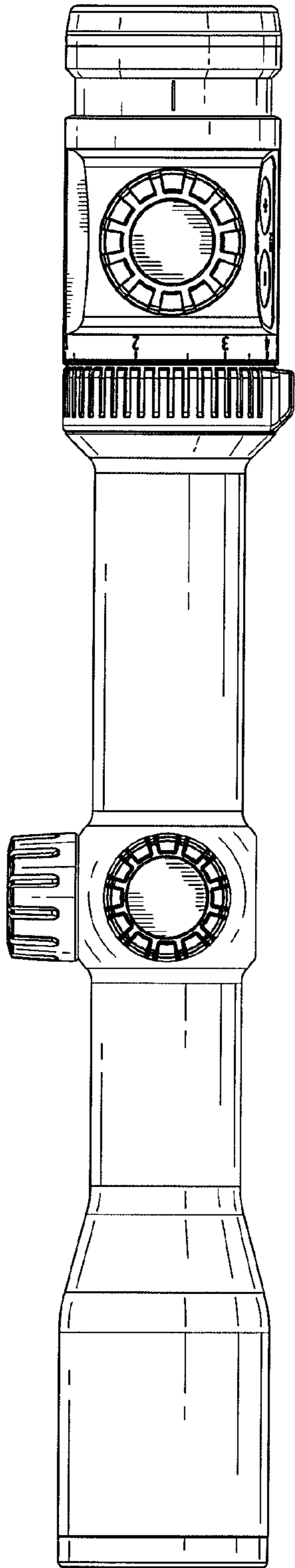


FIG. 4

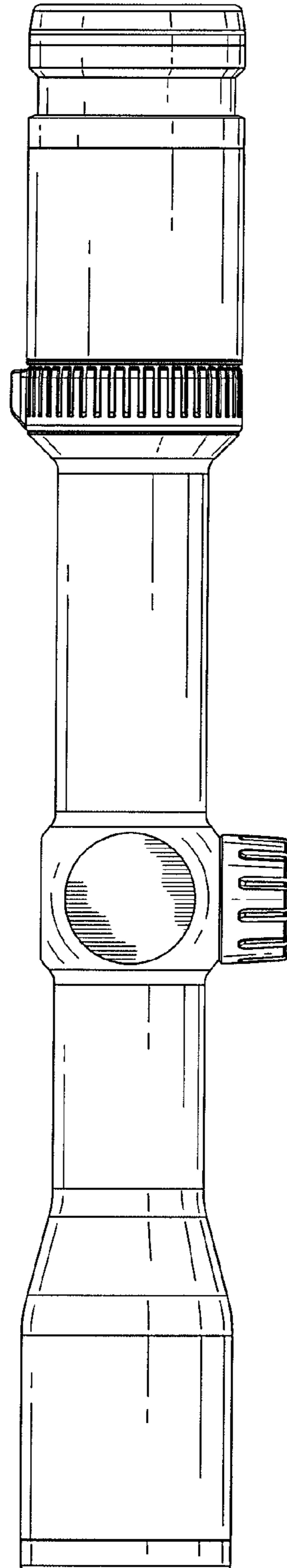


FIG. 5

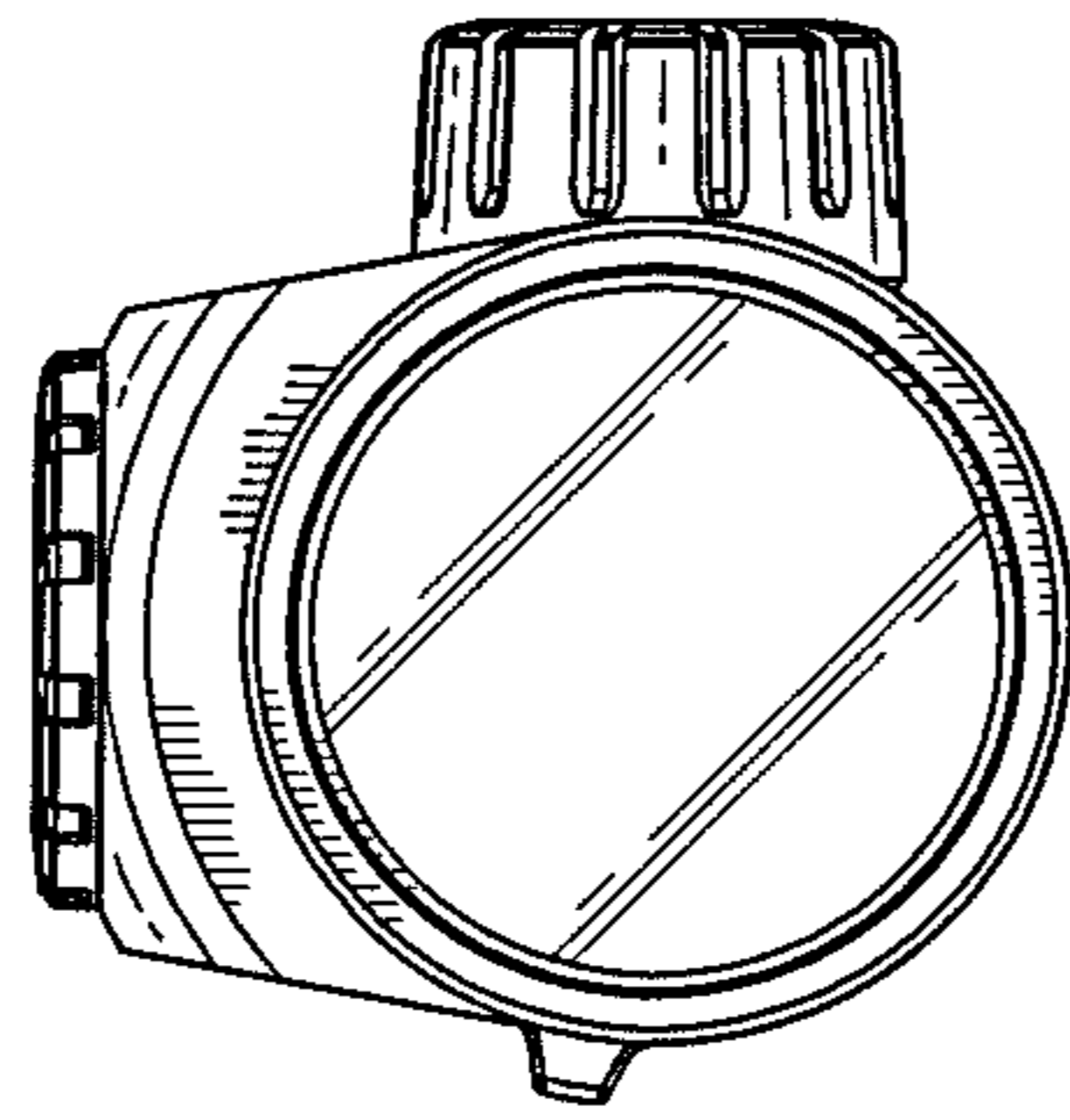


FIG. 7

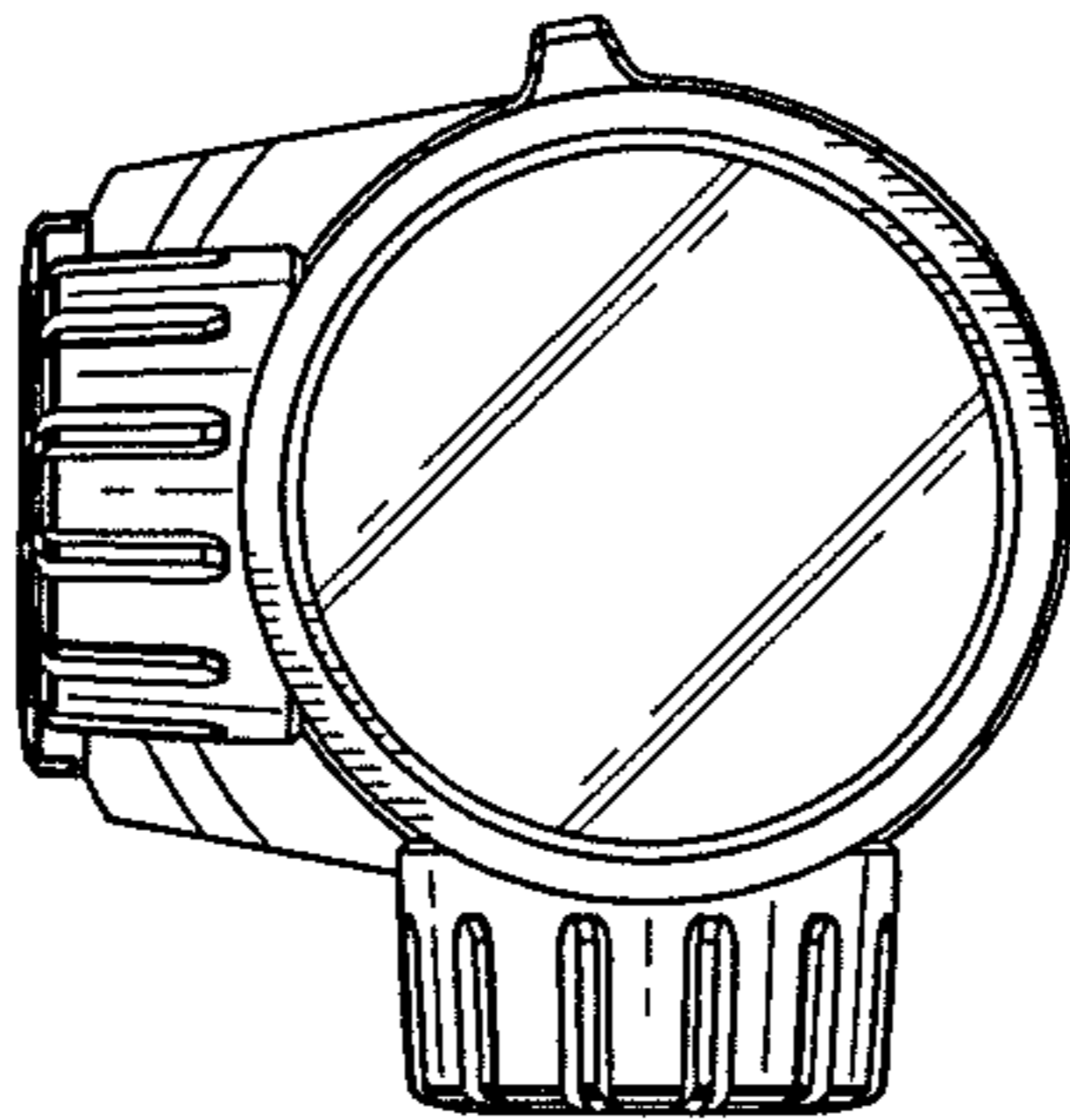


FIG. 6

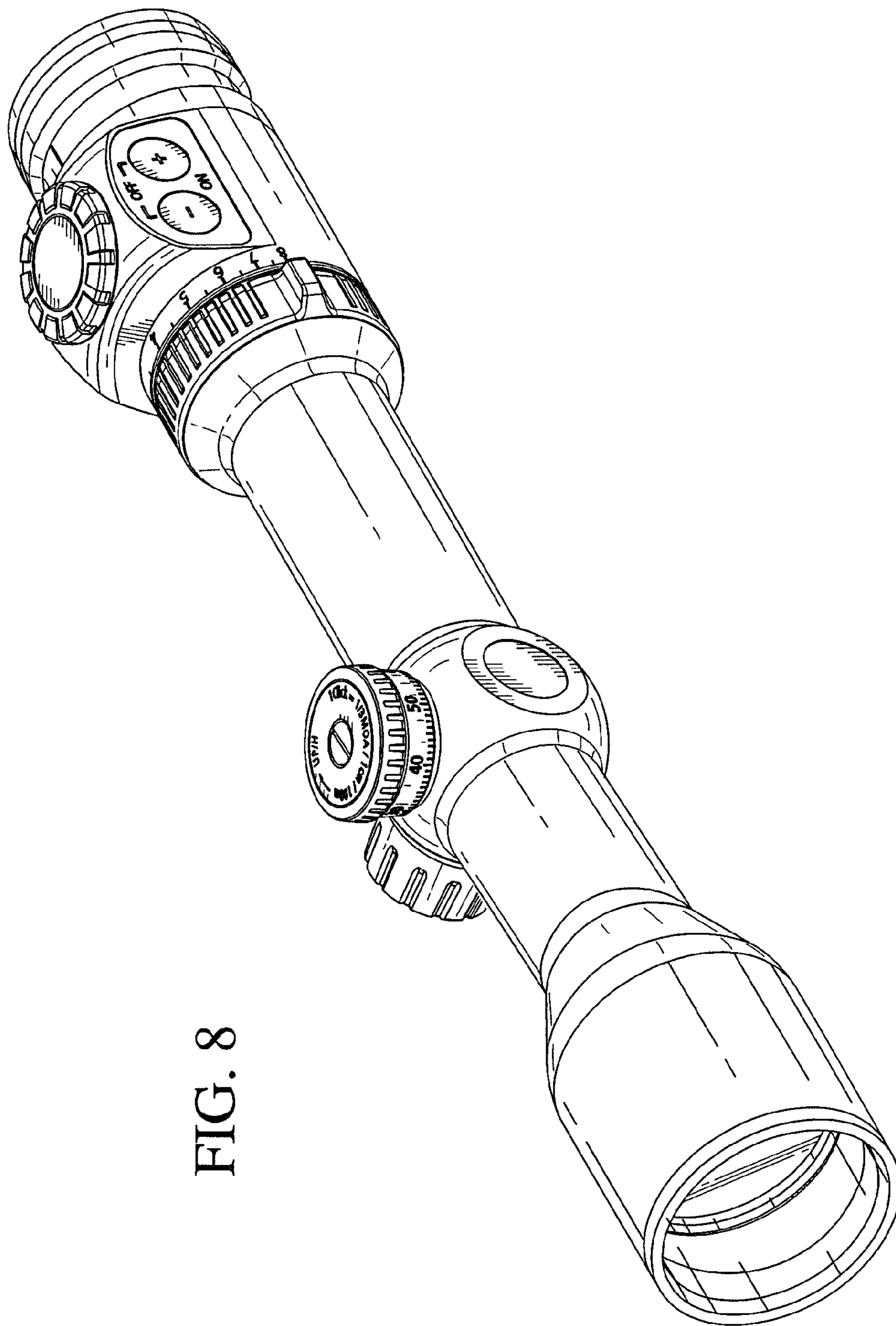


FIG. 8

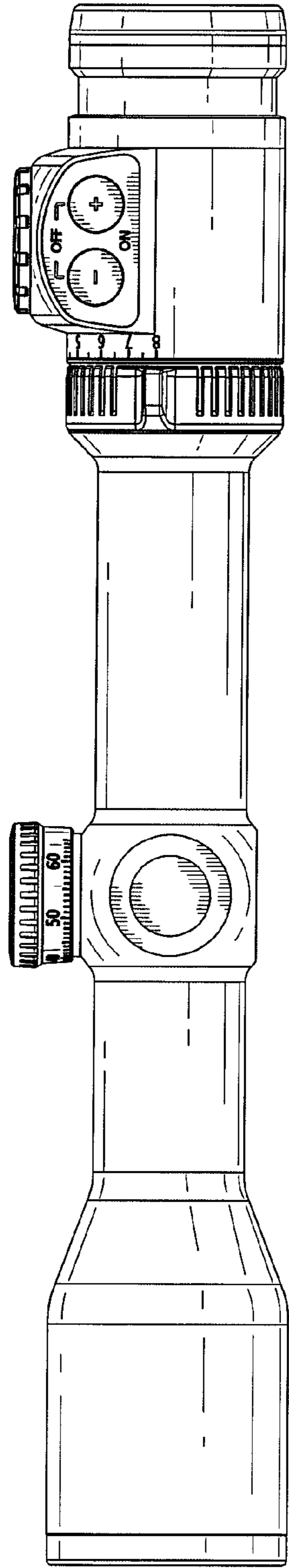


FIG. 9

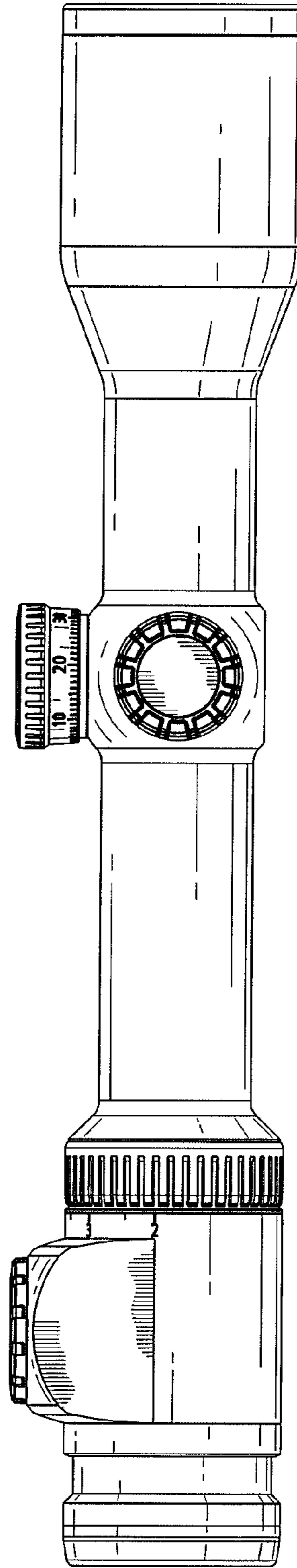


FIG. 10

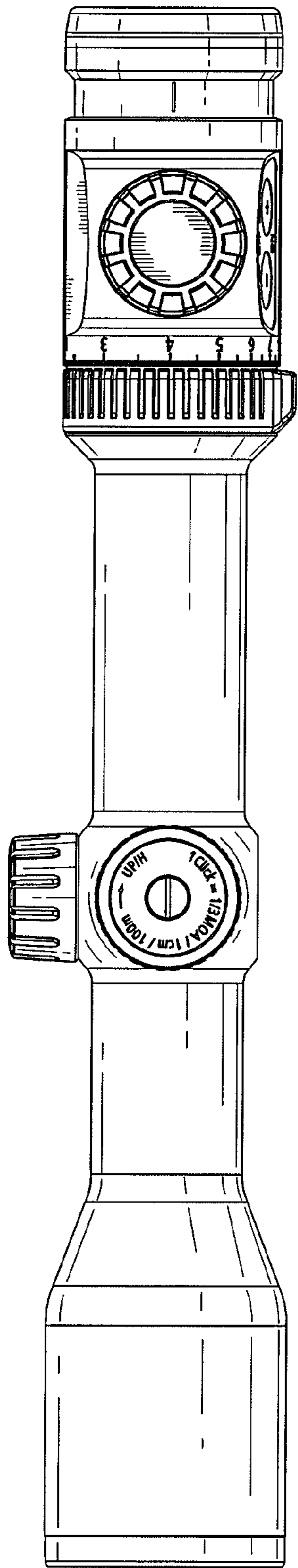


FIG. 11

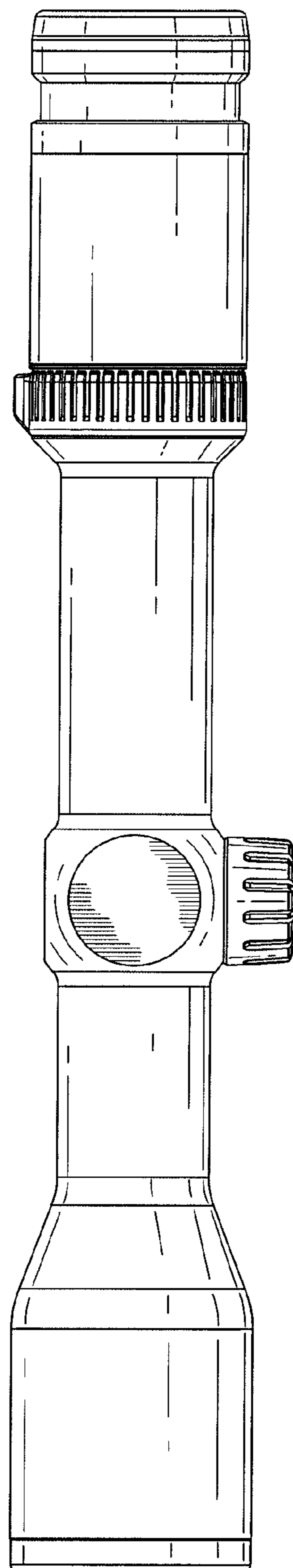


FIG. 12

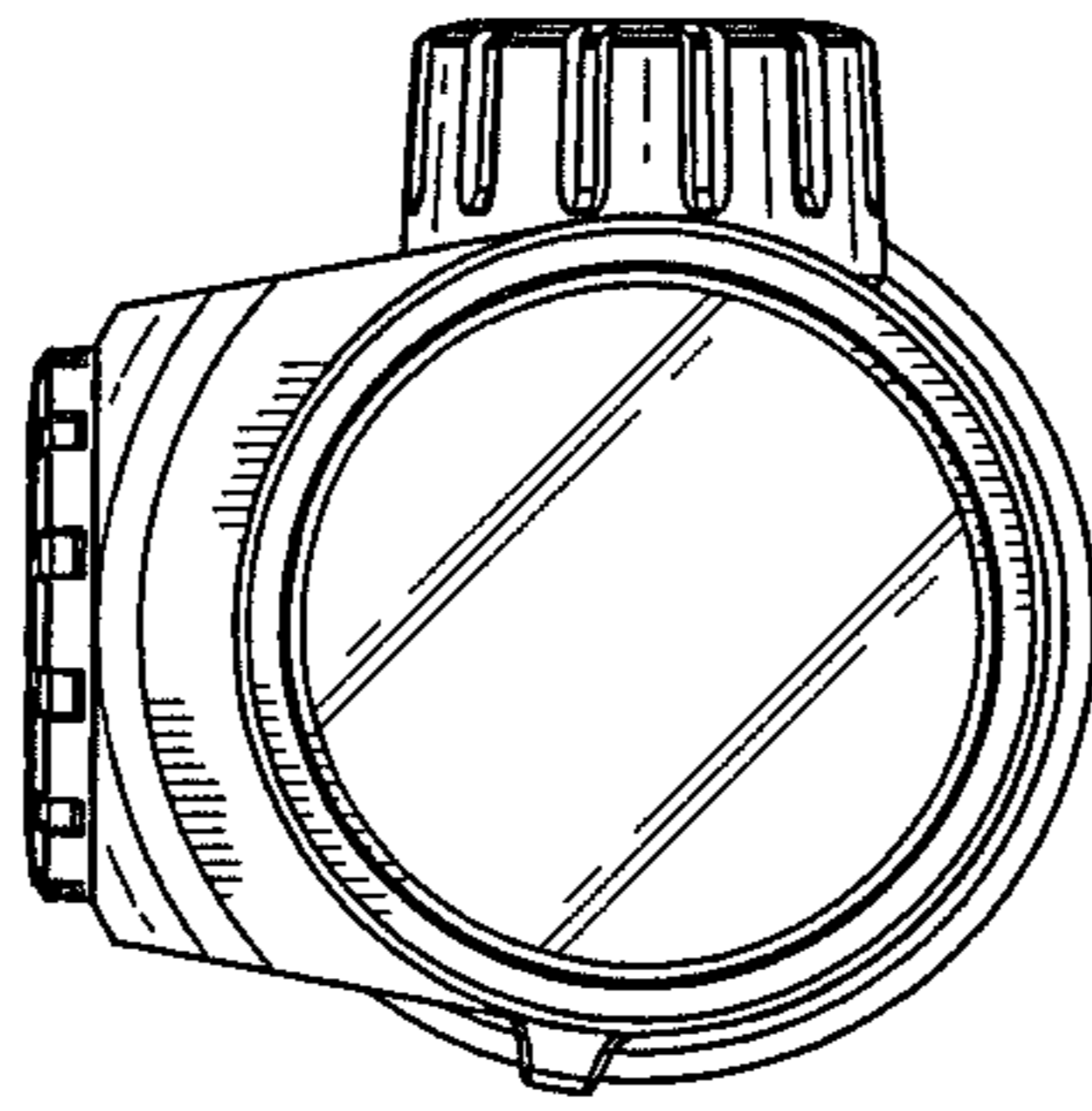


FIG. 14

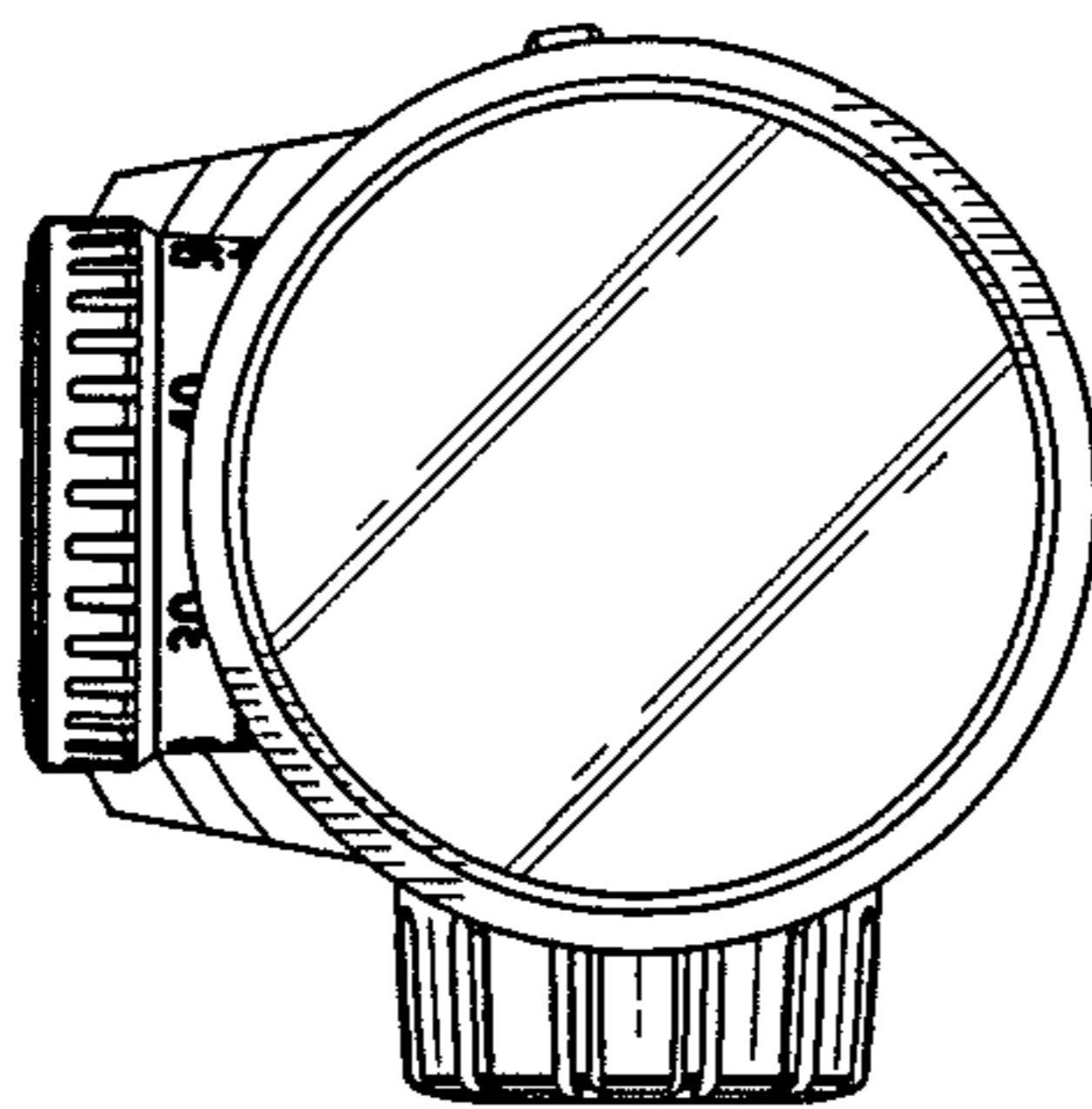


FIG. 13

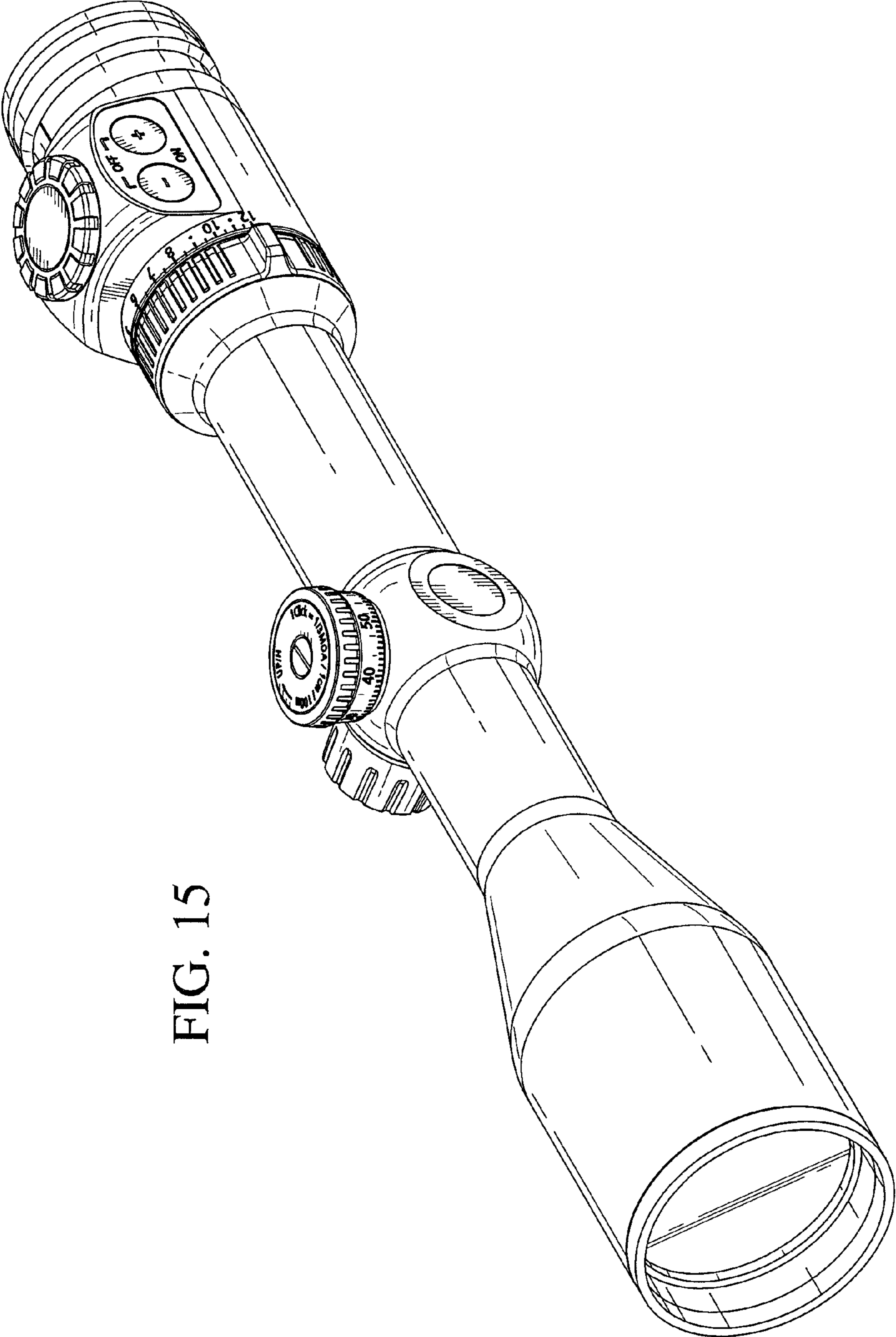


FIG. 15

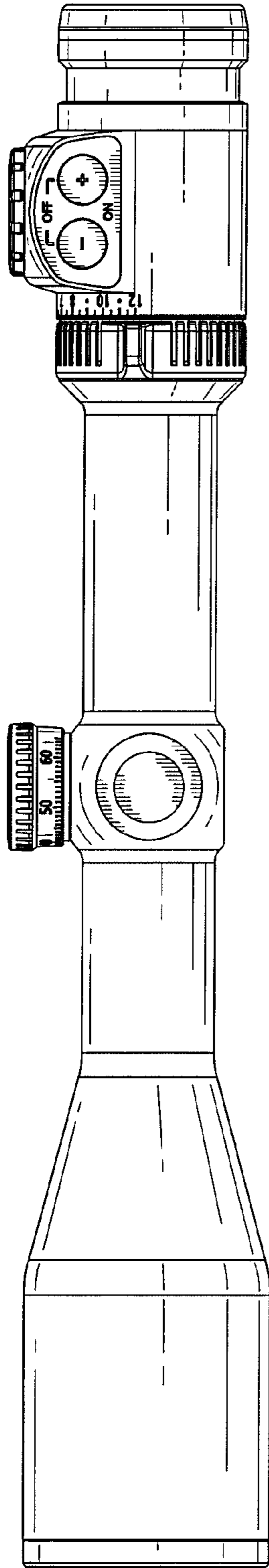


FIG. 16

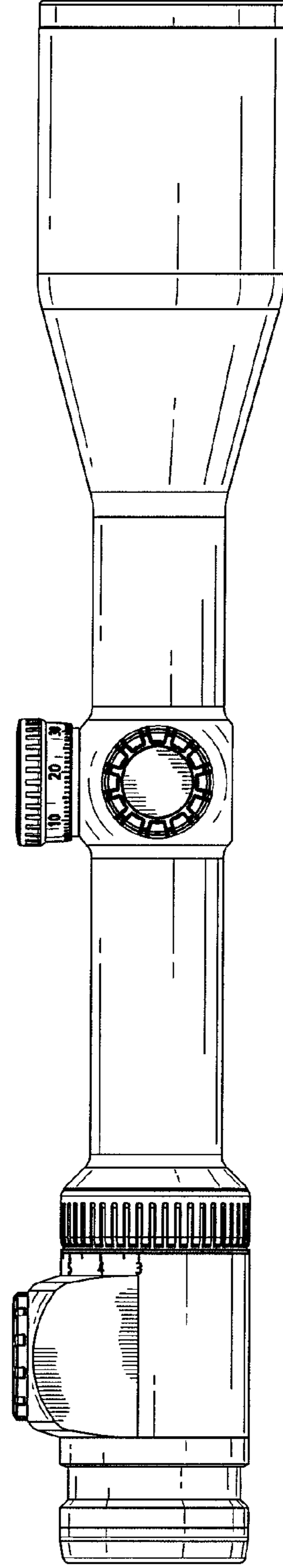


FIG. 17

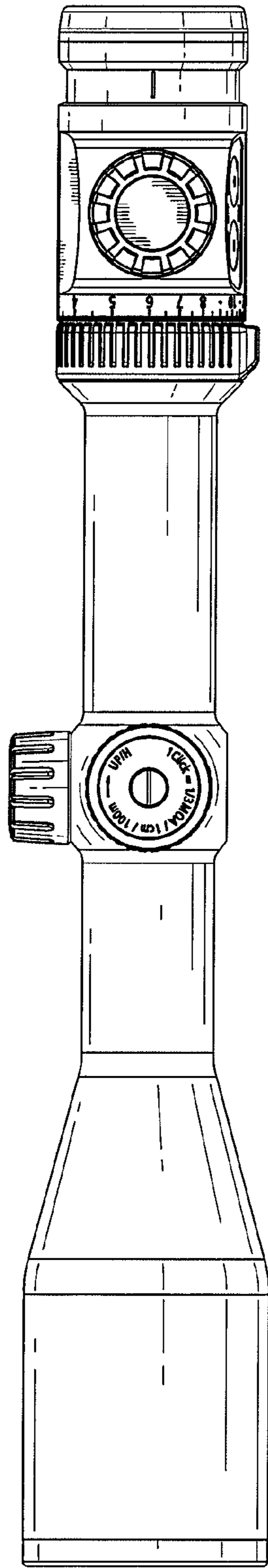


FIG. 18

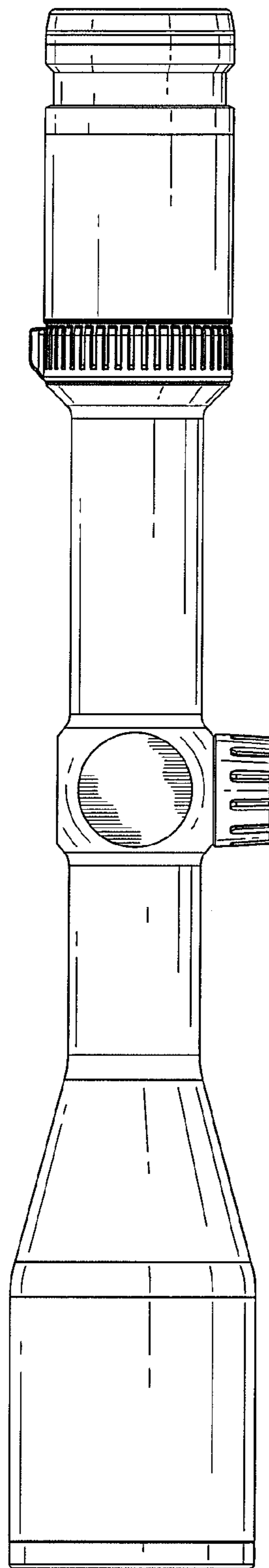


FIG. 19

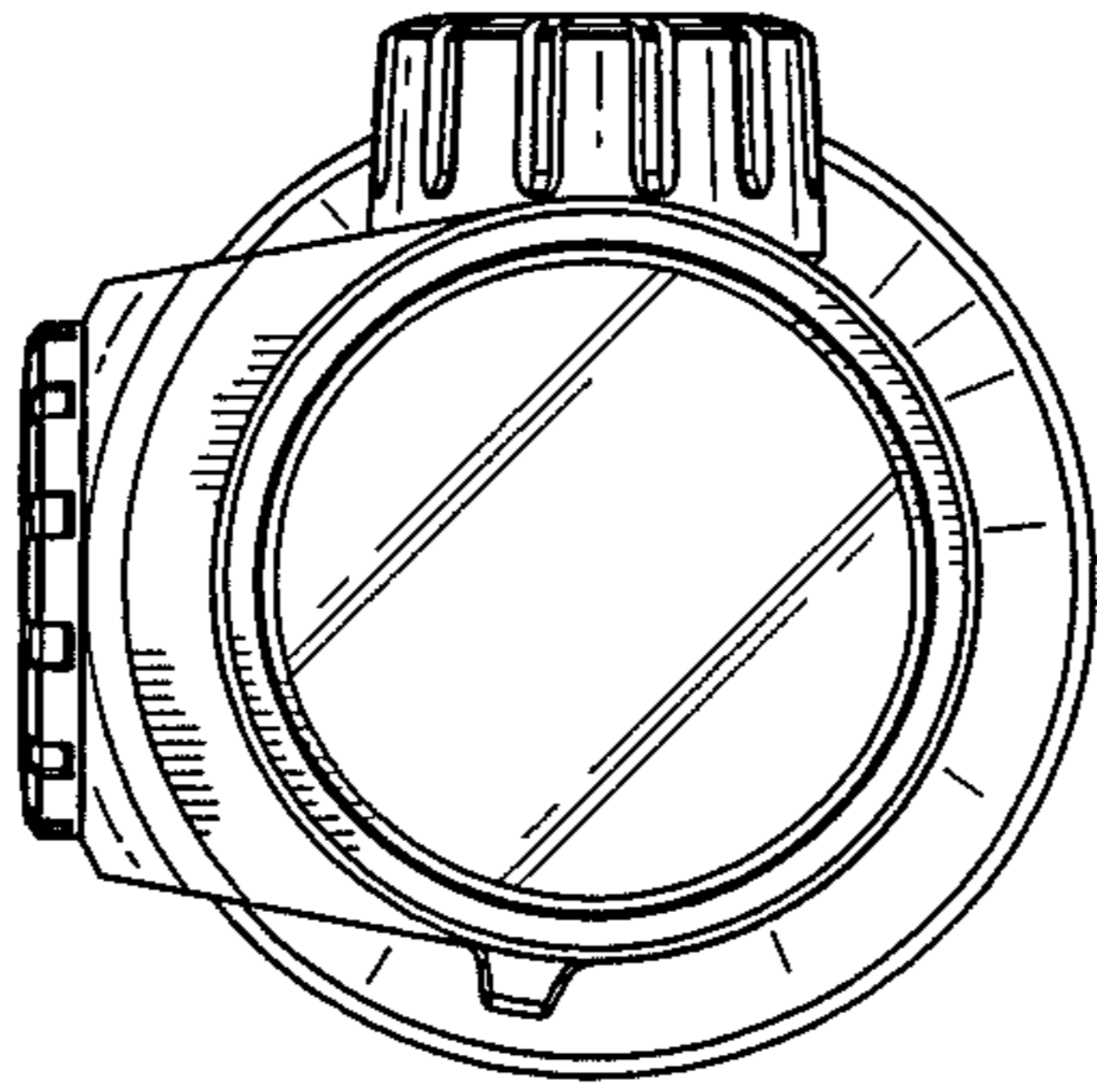


FIG. 21

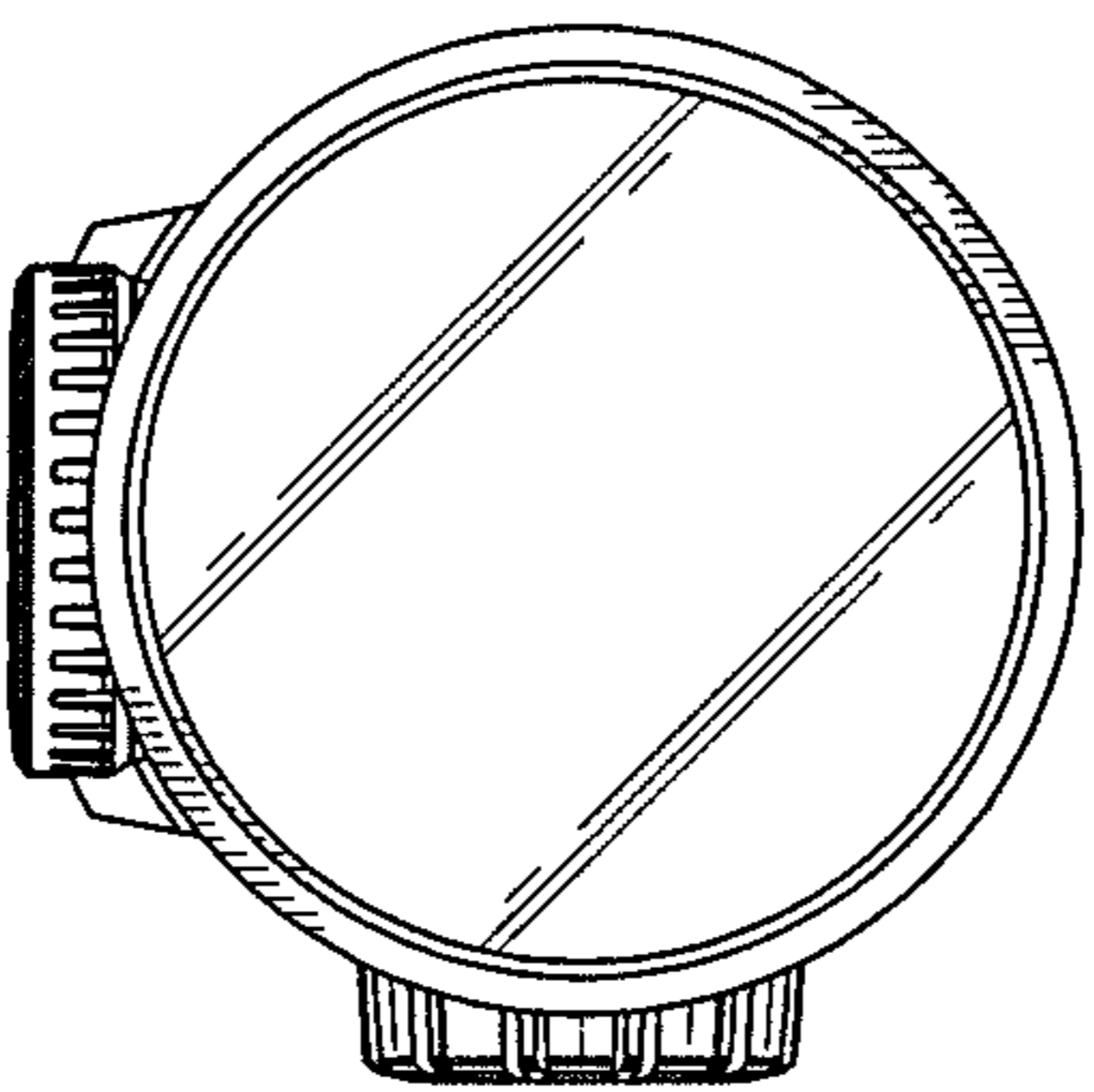


FIG. 20