



US00D723648S

(12) **United States Design Patent**
Oliver

(10) **Patent No.:** **US D723,648 S**
(45) **Date of Patent:** **** Mar. 3, 2015**

(54) **CONVECTION CONTROL SLEEVE FOR FIREARMS**

(71) Applicant: **Russell Oliver**, Draper, UT (US)

(72) Inventor: **Russell Oliver**, Draper, UT (US)

(**) Term: **14 Years**

(21) Appl. No.: **29/467,992**

(22) Filed: **Sep. 25, 2013**

(51) **LOC (10) Cl.** **22-01**

(52) **U.S. Cl.**
USPC **D22/108**

(58) **Field of Classification Search**
CPC F41C 23/10; F41C 23/14; F41C 23/16;
F41C 23/18
USPC D22/108; 362/9-114; 42/71.019, 94,
42/114, 117, 124-127, 131, 146;
D25/119-125; 52/576-577

See application file for complete search history.

(56) **References Cited**

U.S. PATENT DOCUMENTS

4,351,223	A	9/1982	Schmidt	
4,841,836	A	6/1989	Bundy	
5,010,676	A	4/1991	Kennedy	
5,573,332	A *	11/1996	Weihrich et al.	366/85
6,490,822	B1	12/2002	Swan	
D600,827	S *	9/2009	Ratanasiriwilai	D25/121
7,802,392	B2	9/2010	Peterson et al.	
8,141,289	B2 *	3/2012	Gomez et al.	42/90
8,276,303	B2 *	10/2012	Kapusta et al.	42/71.01
8,689,477	B2 *	4/2014	Gomez et al.	42/72
2003/0074822	A1	4/2003	Faifer	
2011/0174141	A1	7/2011	Adolphsen	
2012/0266514	A1	10/2012	Michal et al.	

OTHER PUBLICATIONS

Sinclair Barrel Mirage Shade; http://www.sinclairintl.com/shooting_accessories/berchrest_equipment/sincl...; as accessed Aug. 15, 2013; 4 pages.
Mirage Covers for Thunder Beast Arms Suppressors; http://thunderbeastarms.coe/products/mirage_covers; as accessed Aug. 15, 2013; 2 pages.
Lilja Mirage Shield; http://riflebarrels.com/products/mirage_shield.htm; as accessed Aug. 15, 2013; 1 page.
Suppressor Sock; http://www.warsport_us.com/suppressor_sock.html; as accessed Aug. 15, 2013; 5 pages.
TAB SAS—Suppressor Anti-Mirage Shield; https://www.riflesonly.com/pro_shop/tactical_gear/tab_sas_suppressor_anti...; as accessed Aug. 15, 2013; 3 Pages.

* cited by examiner

Primary Examiner — Michael A Pratt
(74) *Attorney, Agent, or Firm* — Thorpe North & Western LLP

(57) **CLAIM**

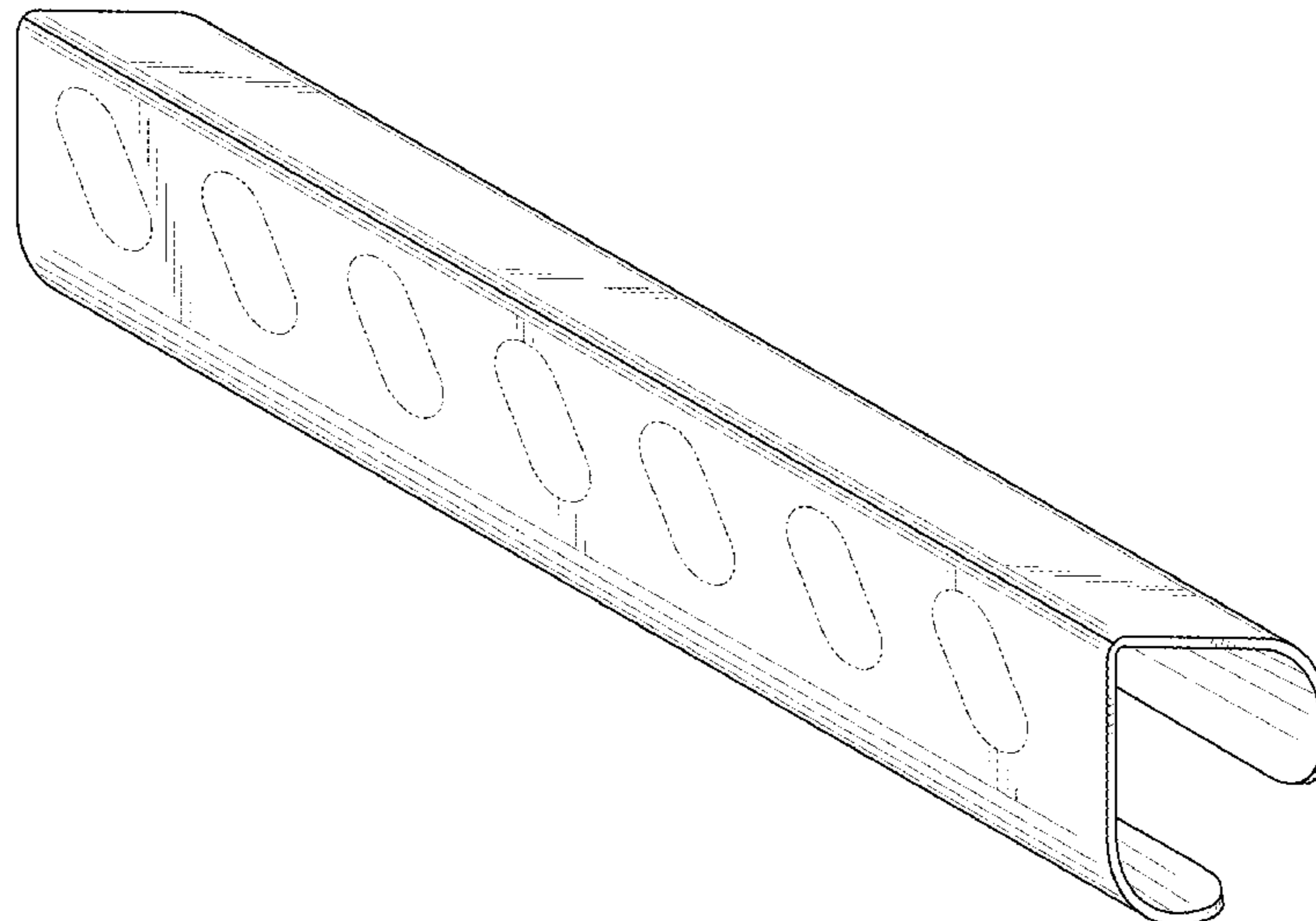
The ornamental design for a convection control sleeve for firearms, as shown and described herein.

DESCRIPTION

FIG. 1 is a perspective front view of the convection control sleeve having a teardrop cross-section, taken from a top-left angle in accordance with my invention;
FIG. 2 is a left side view thereof;
FIG. 3 is a right side view thereof;
FIG. 4 is a front view thereof;
FIG. 5 is a back view thereof;
FIG. 6 is a top view thereof; and,
FIG. 7 is a bottom view thereof.

The surface indicia of parallel lines also form no part of the claimed design and are merely surface shading.
The broken line showing of aspects of the claimed design in FIGS. 1 and 2 is included for the purpose of illustrating environment and forms no part of the claimed design.

1 Claim, 3 Drawing Sheets



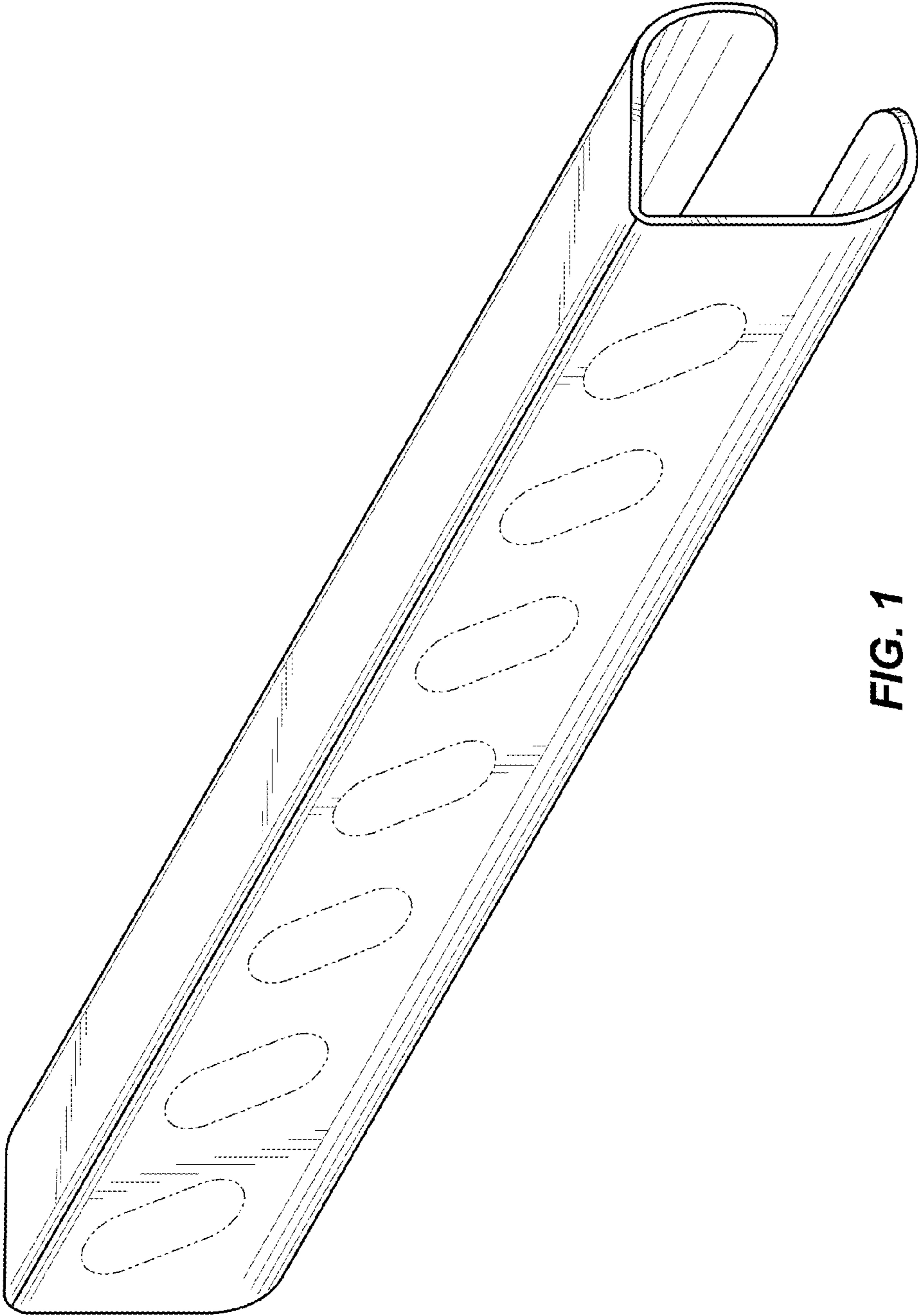


FIG. 1

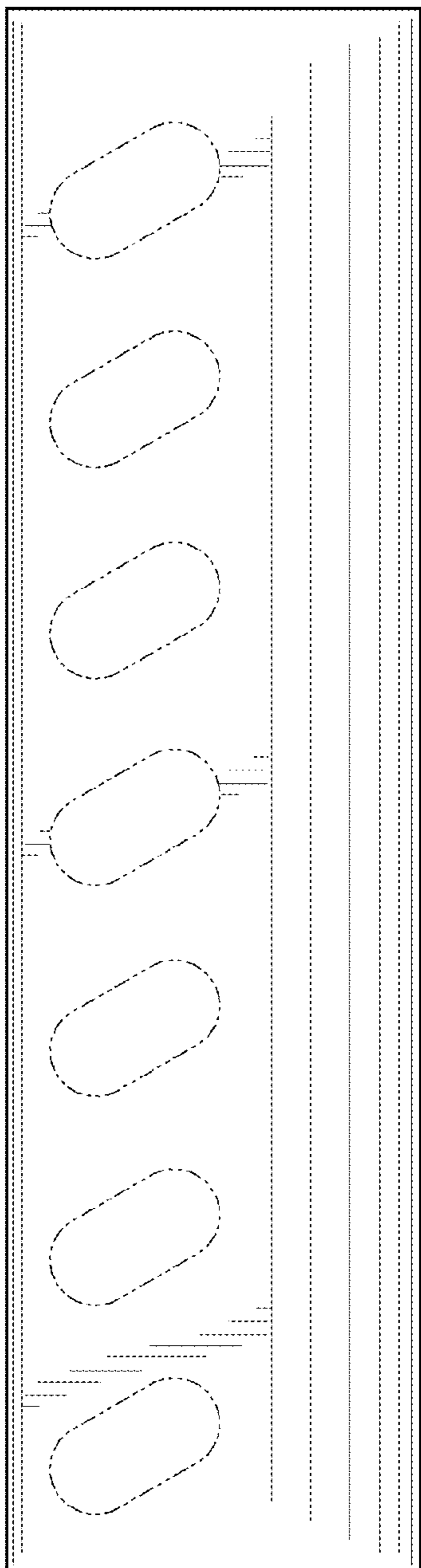


FIG. 2

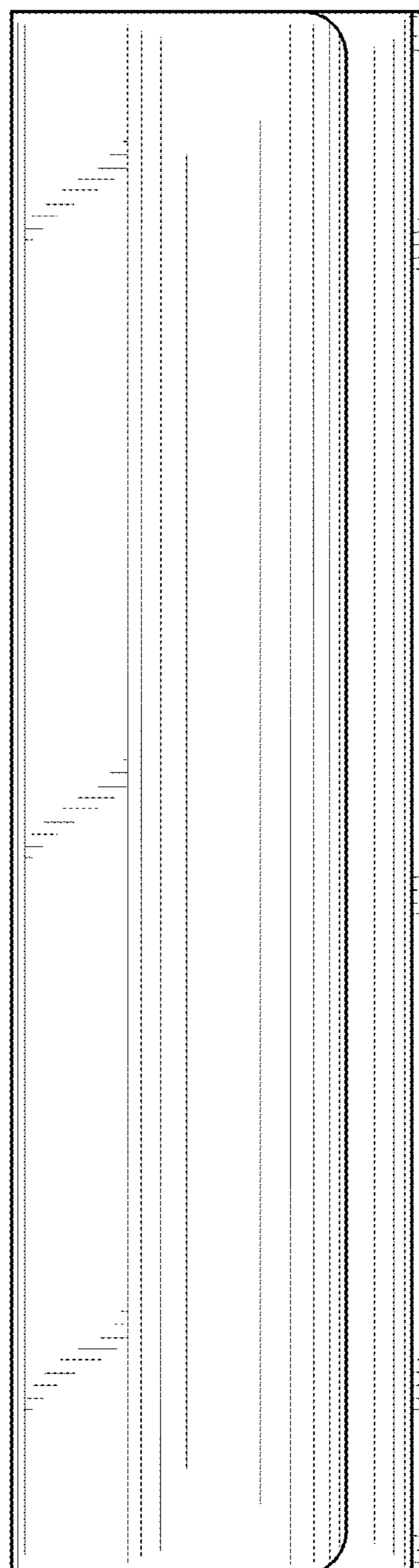


FIG. 3

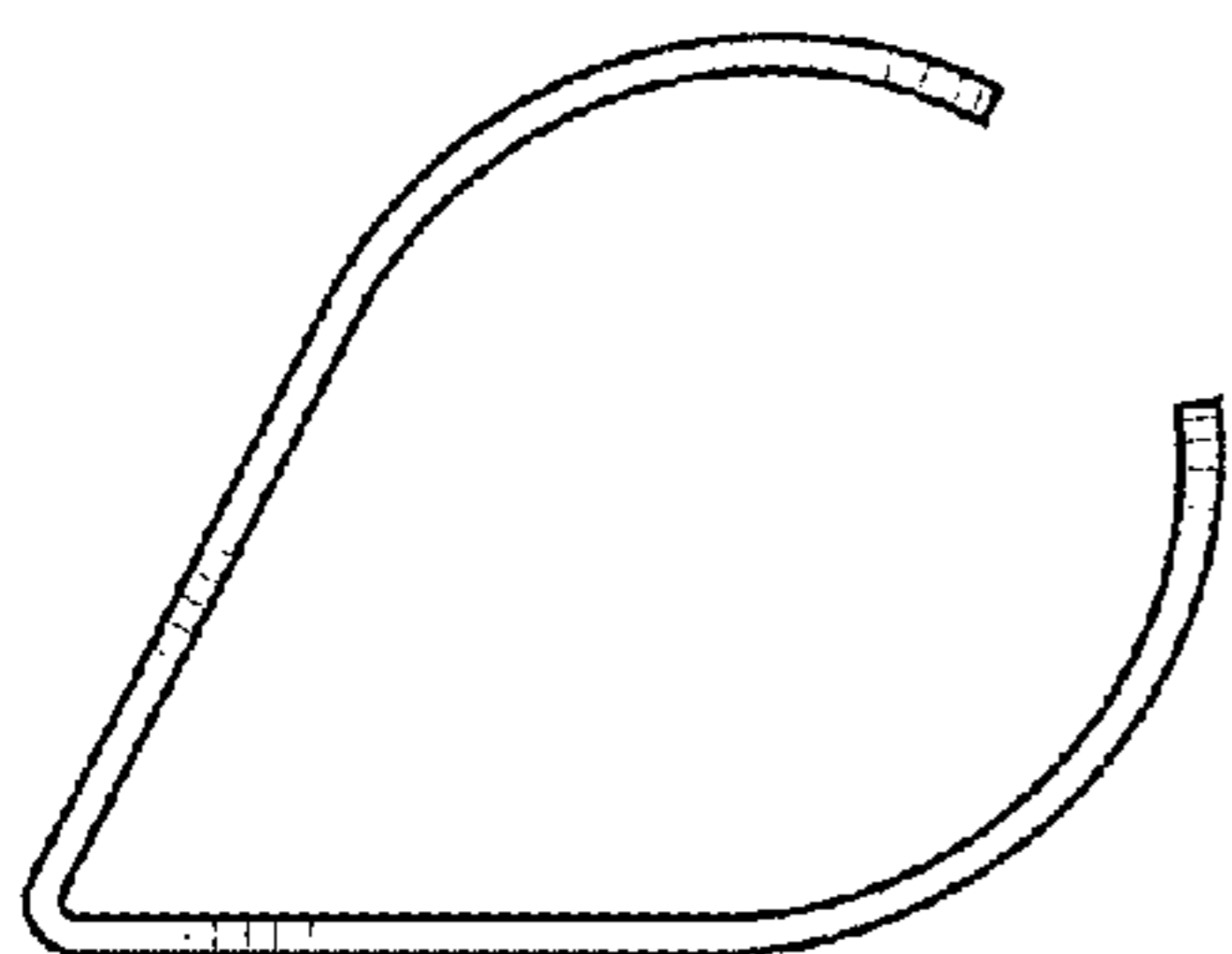


FIG. 4

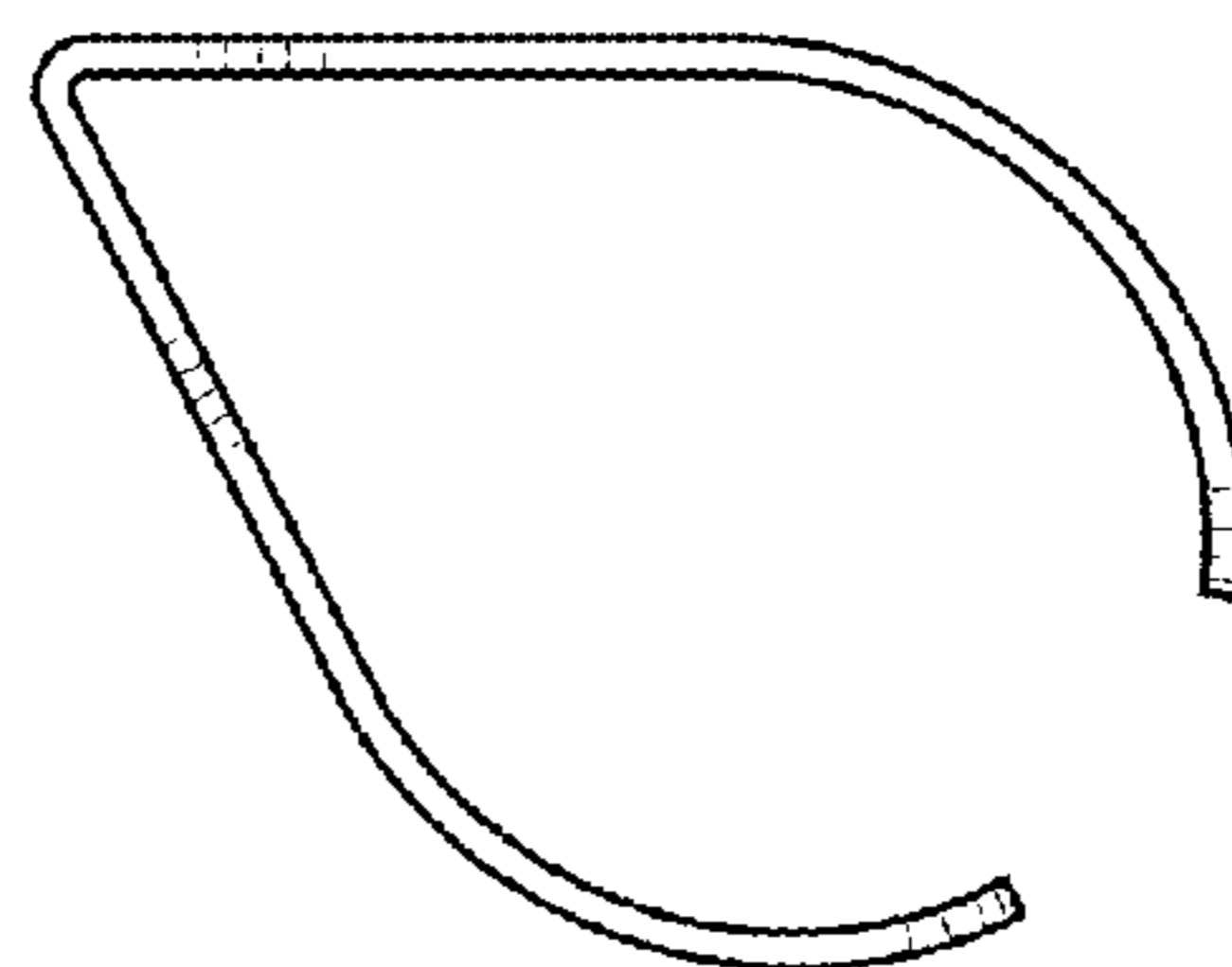


FIG. 5

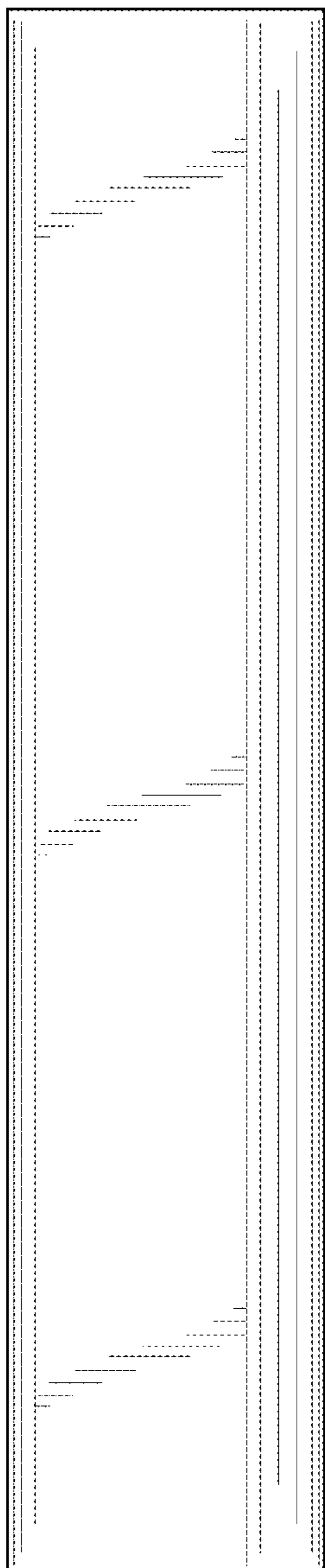


FIG. 6

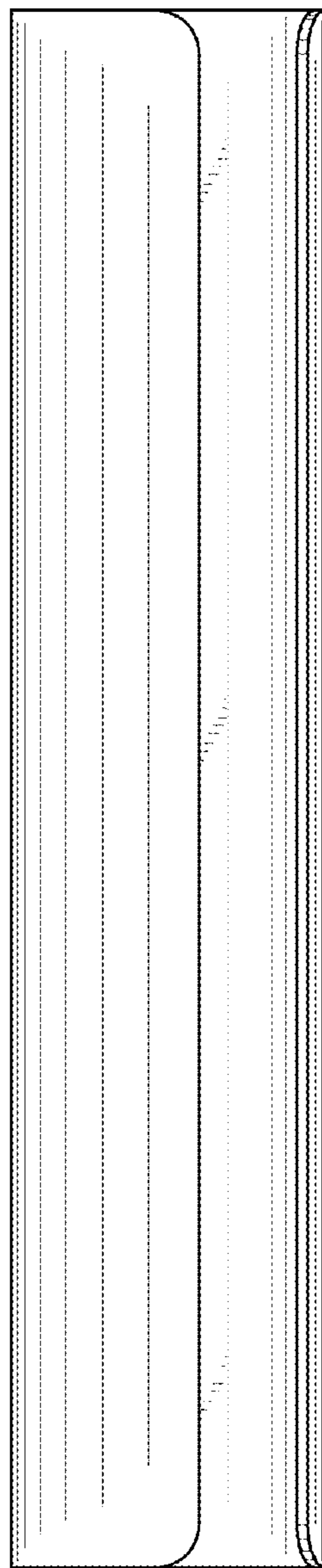


FIG. 7