



US00D723643S

(12) **United States Design Patent**
Senseman

(10) **Patent No.:** **US D723,643 S**
(45) **Date of Patent:** **** Mar. 3, 2015**

(54) **SKATEBOARD PROPELLING ASSIST POLE**

2011/0175338 A1* 7/2011 Senseman 280/821
2012/0139224 A1* 6/2012 Weir et al. 280/821
2012/0267872 A1* 10/2012 McBride 280/219

(71) Applicant: **Phillip Senseman**, Tempe, AZ (US)

* cited by examiner

(72) Inventor: **Phillip Senseman**, Tempe, AZ (US)

Primary Examiner — Zenia Bennett

(**) Term: **14 Years**

(74) *Attorney, Agent, or Firm* — Mark V. Loen

(21) Appl. No.: **29/438,315**

(57) **CLAIM**

(22) Filed: **Nov. 28, 2012**

The ornamental design for a skateboard propelling assist pole, as shown and described.

Related U.S. Application Data

DESCRIPTION

(63) Continuation of application No. 13/007,952, filed on Jan. 17, 2011, now abandoned.

(51) **LOC (10) Cl.** **21-02**

(52) **U.S. Cl.**
USPC **D21/775**

(58) **Field of Classification Search**
CPC A63C 17/0013
USPC D21/771, 775; D3/7, 12, 16, 5, 6;
280/819–824; 16/430, 421; 135/76
See application file for complete search history.

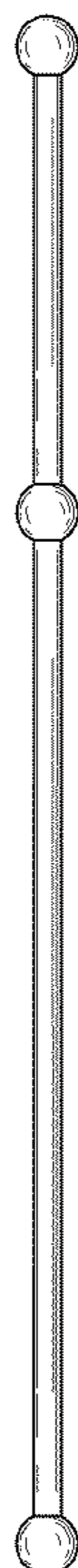
FIG. 1 is a front view of an assembled skateboard propelling assist pole showing a spherically shaped top and middle hand-grip, and a ground tip;
FIG. 2 is a right side view of the assembled skateboard propelling assist pole;
FIG. 3 is a top or bottom view of the assembled skateboard propelling assist pole;
FIG. 4 is an isometric view of a disassembled skateboard propelling assist pole,
FIG. 5 shows a close-up view of the parts for either the ground tip or the top hand grip as they are assembled onto the ends of the skateboard propelling assist pole; and,
FIG. 6 is a view showing an embodied usage configuration of the skateboard propelling assist pole.
The broken lines shown in FIG. 6 are for purposes of illustrating environmental structure associated with the claimed design in condition of use, and which forms no part of the claimed design.

(56) **References Cited**

U.S. PATENT DOCUMENTS

2,462,757 A * 2/1949 Loycz 62/130
5,687,991 A * 11/1997 Gairdner 280/826
5,938,240 A * 8/1999 Gairdner 280/826
D491,336 S * 6/2004 Cecere D1/102
D661,458 S * 6/2012 Mingyun et al. D1/199
D663,070 S * 7/2012 McNally D28/39
8,465,056 B2 * 6/2013 Weir et al. 280/819

1 Claim, 4 Drawing Sheets



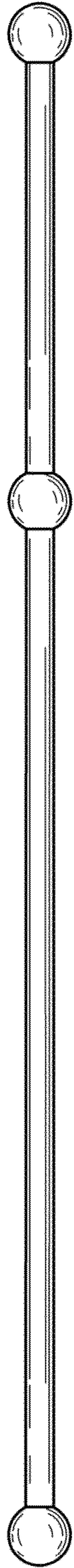


FIG. 1

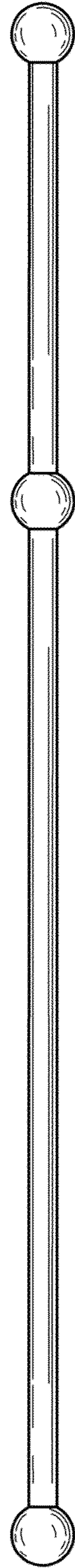


FIG. 2

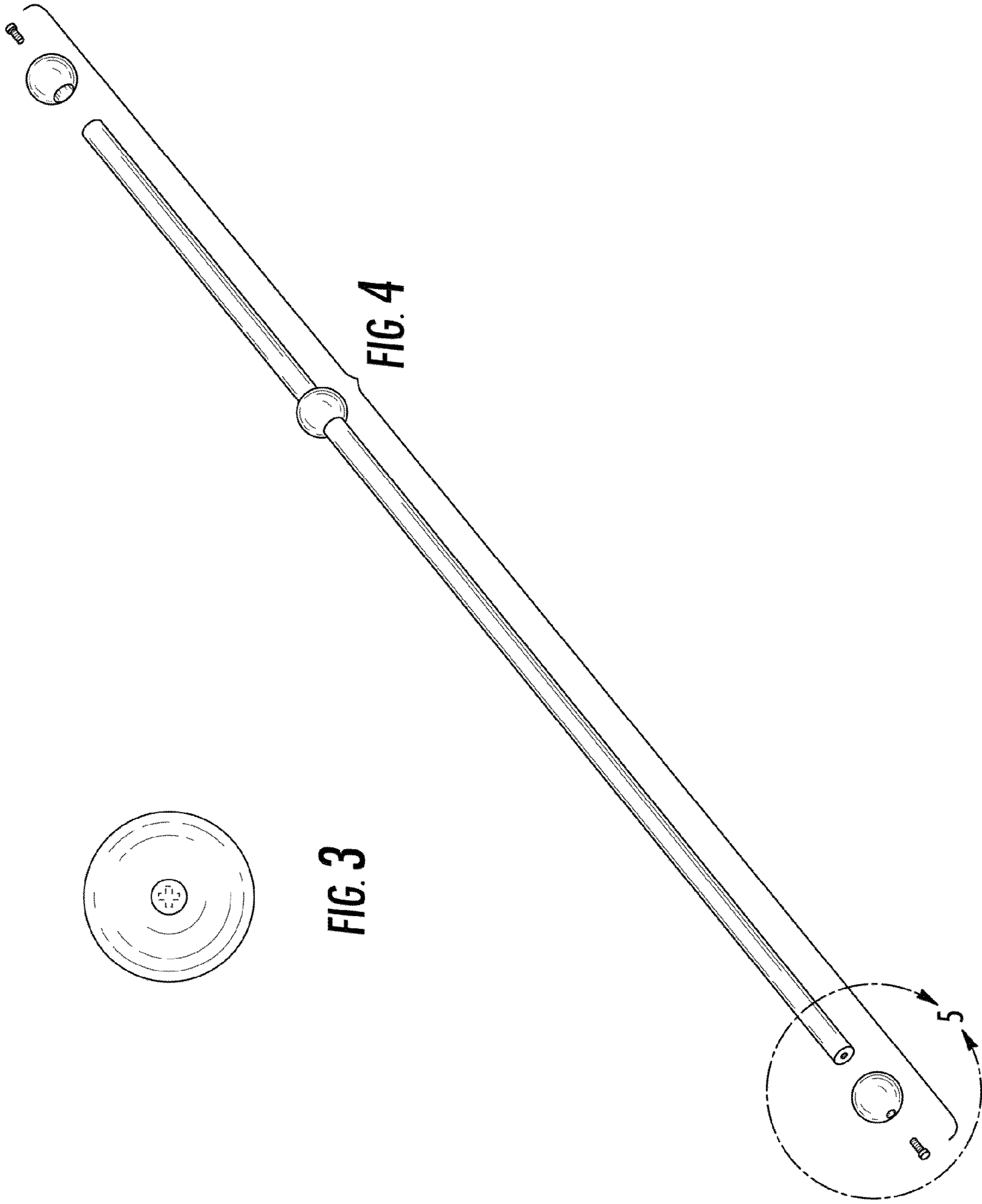
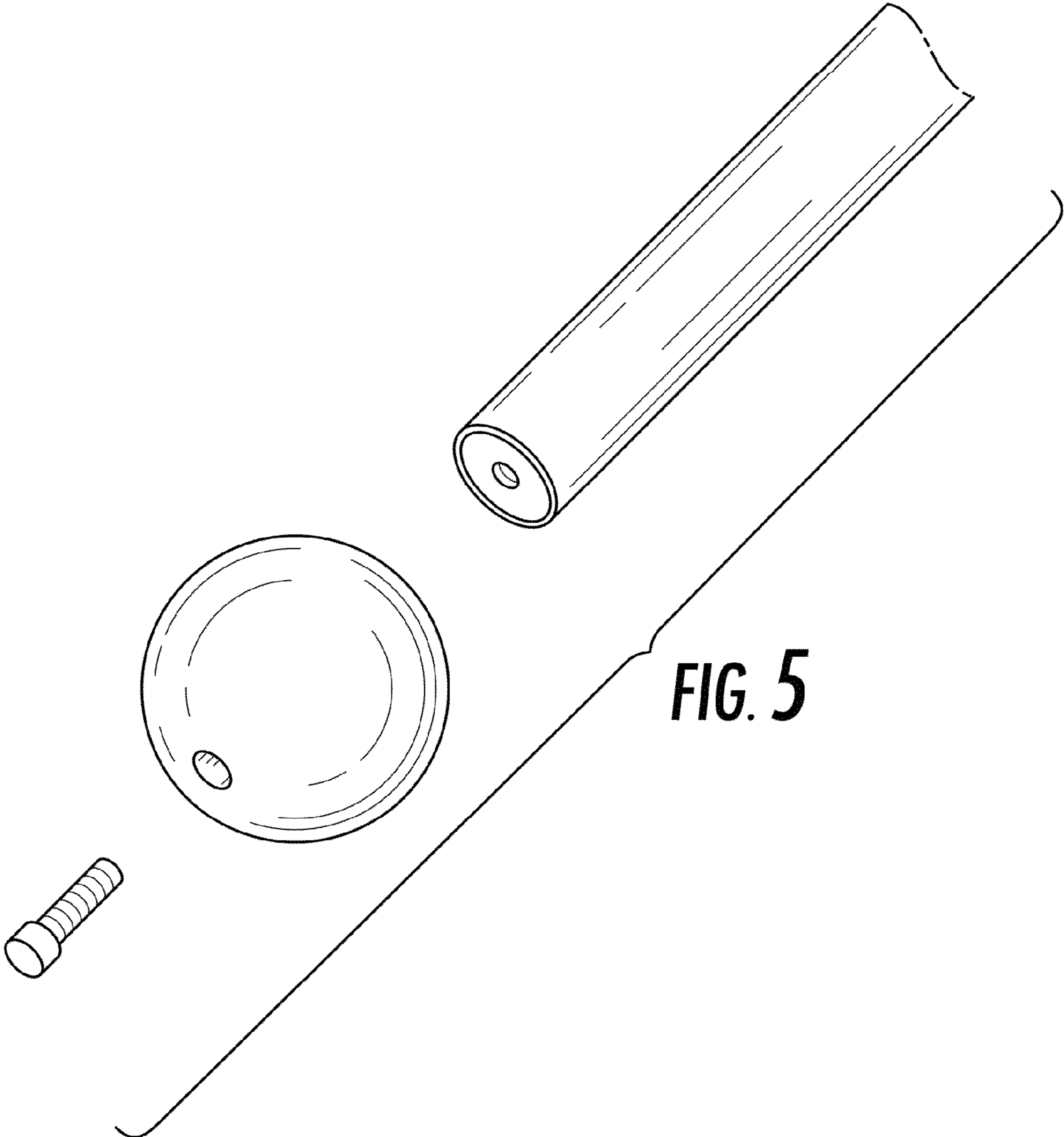


FIG. 3

FIG. 4



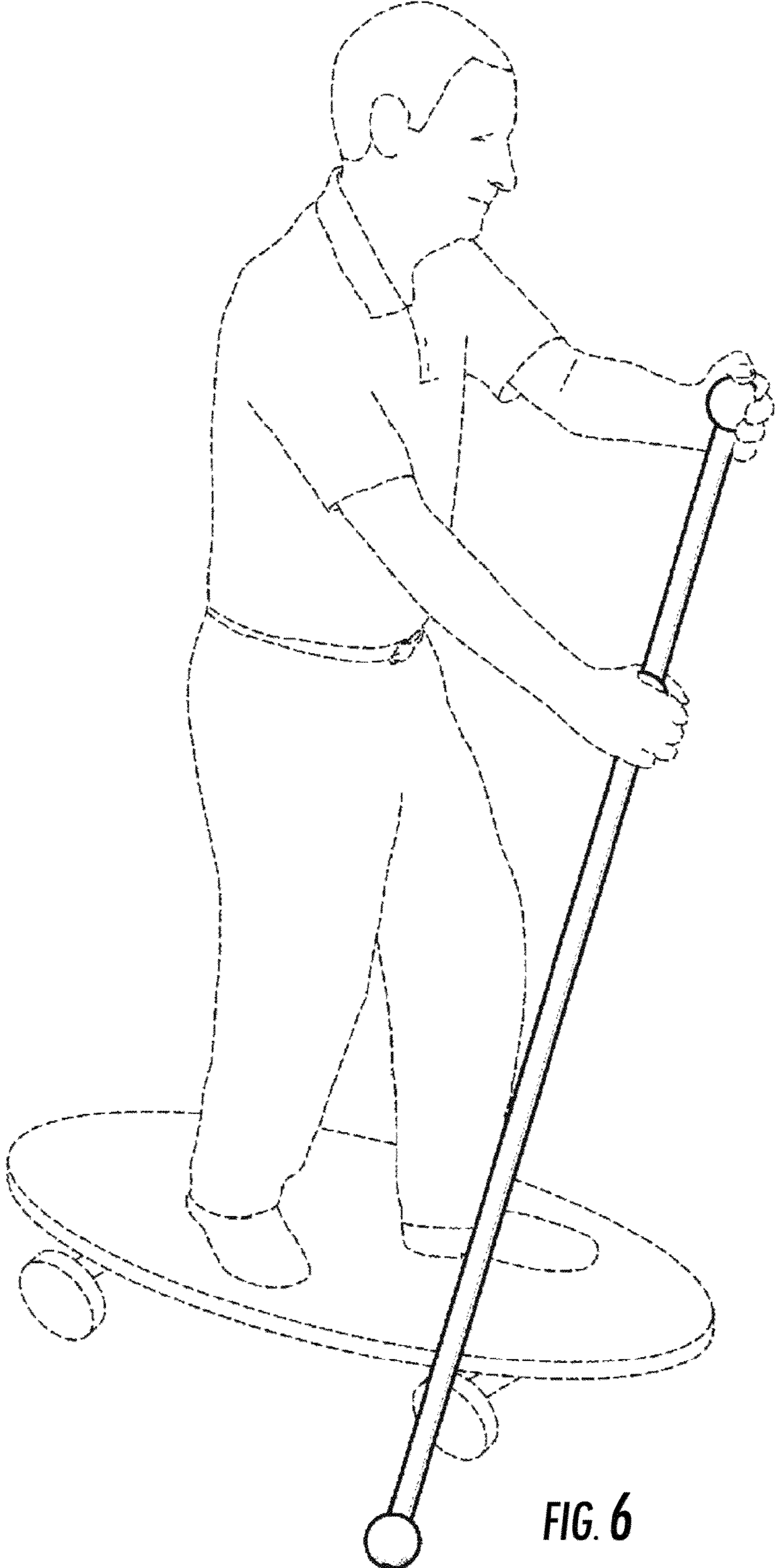


FIG. 6