



US00D723642S

(12) **United States Design Patent**
Fissell

(10) **Patent No.:** **US D723,642 S**
(45) **Date of Patent:** **** Mar. 3, 2015**

(54) **SKATEBOARD WITH TRANSPARENT WHEEL HAVING AN INNER CORE**

- (71) Applicant: **Jeremy Fissell**, San Luis Obispo, CA (US)
- (72) Inventor: **Jeremy Fissell**, San Luis Obispo, CA (US)
- (73) Assignee: **Sunset Skateboard Company**, Newport Beach, CA (US)
- (**) Term: **14 Years**
- (21) Appl. No.: **29/455,258**
- (22) Filed: **May 17, 2013**
- (51) **LOC (10) Cl.** **21-02**
- (52) **U.S. Cl.**
USPC **D21/765**

(58) **Field of Classification Search**

CPC A63C 17/01; A63C 17/011; A63C 17/012;
A63C 17/014; A63C 17/015; A63C 17/02;
A63C 17/26; A63C 5/003; A63B 69/0022;
B60Q 1/326; B62K 3/001

USPC D21/419, 421, 423, 426, 760, 765, 766,
D21/769, 771, 776, 803; D12/1; 280/7.14,
280/11.115, 11.19, 11.27, 11.28, 14.21,
280/87.01, 87.021, 87.03, 87.041, 87.042,
280/607, 608, 609, 809; 180/180, 181;
434/247, 253, 258; 362/500, 545, 565

See application file for complete search history.

(56) **References Cited**

U.S. PATENT DOCUMENTS

D222,158 S * 10/1971 Noches D21/765
D268,195 S * 3/1983 Kalish D21/771

(Continued)

Primary Examiner — Cynthia M Chin

(74) *Attorney, Agent, or Firm* — Morgan, Lewis & Bockius LLP; Brett A. Lovejoy

(57) **CLAIM**

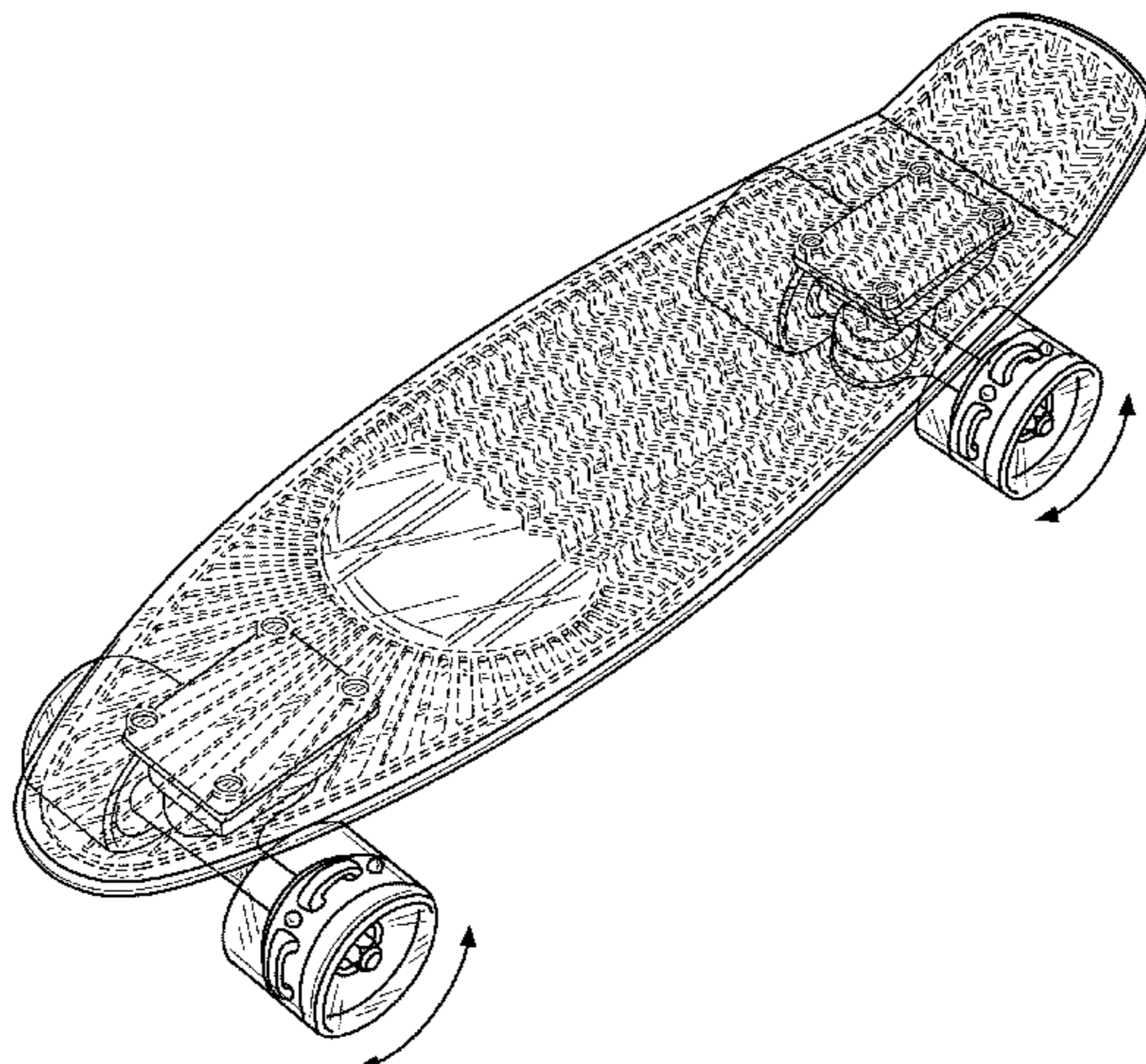
The ornamental design for a skateboard with transparent wheel having an inner core, as shown and described.

DESCRIPTION

FIG. 1 is a perspective view of an embodiment of my new design of a skateboard with transparent wheel having an inner

core in which the board is transparent and in which the inner core illuminates violet/purple using the USPTO convention of vertical dashed lines for violet/purple;
FIG. 2 is a first side view of the design of FIG. 1;
FIG. 3 is a second side view of the design of FIG. 1;
FIG. 4 is a top view of the design of FIG. 1;
FIG. 5 is a bottom view of the design of FIG. 1, wherein the dashed lines are showing topological features of the top side of the transparent board;
FIG. 6 is a front view of the design of FIG. 1;
FIG. 7 is a back view of the design of FIG. 1, wherein the dashed lines are showing topological features of the top side of the transparent board;
FIG. 8 is a perspective view of a second embodiments of the design of FIG. 1, in which the inner core illuminates blue using the USPTO convention of horizontal solid lines for blue;
FIG. 9 is a perspective view of a third embodiment of the design of FIG. 1, in which the inner core illuminates green using the USPTO convention of right diagonal solid lines for green;
FIG. 10 is a perspective view of a fourth embodiment of the design of FIG. 1, in which the inner core illuminates yellow/gold using the USPTO convention of horizontal hashed lines for yellow/gold;
FIG. 11 is a perspective view of a fifth embodiment of the design of FIG. 1, in which the inner core illuminates orange using the USPTO convention of diagonal hashed lines for orange;
FIG. 12 is a perspective view of a sixth embodiment of the design of FIG. 1, in which the inner core illuminates red/pink using the USPTO convention of vertical solid lines for red/pink;
FIG. 13 is a perspective view of a seventh embodiment of the design of FIG. 1, in which the inner core illuminates white light; and,
FIG. 14 is a perspective view of an eight embodiment of the design of FIG. 1, in which the transparent wheel having an inner core is not illuminating.
The broken lines depicting the details deck as seen from the bottom in FIGS. 5 and 7 form no part of the claimed design. The broken lines represent details of the deck of the skateboard that form no part of the claim.

1 Claim, 13 Drawing Sheets



(56)

References Cited

U.S. PATENT DOCUMENTS

D298,448	S	*	11/1988	Seehaver	D21/765	6,619,823	B2	*	9/2003	Dai	362/500
5,278,733	A	*	1/1994	St. Thomas	362/500	D534,968	S	*	1/2007	Proch	D21/563
D397,391	S	*	8/1998	Jirout	D21/779	D682,379	S	*	5/2013	Fox	D21/765
D421,083	S	*	2/2000	Chen	D21/779	D684,231	S	*	6/2013	Albert et al.	D21/765
D442,660	S	*	5/2001	Patel	D21/779	D692,079	S	*	10/2013	Mackay	D21/765
D444,527	S	*	7/2001	Patel	D21/779	2002/0024816	A1	*	2/2002	Ming-Li	362/500
							2003/0185019	A1	*	10/2003	Rogers et al.	362/545
							2004/0257831	A1	*	12/2004	Liao	362/565
							2005/0082774	A1	*	4/2005	Chiu	280/11.203

* cited by examiner

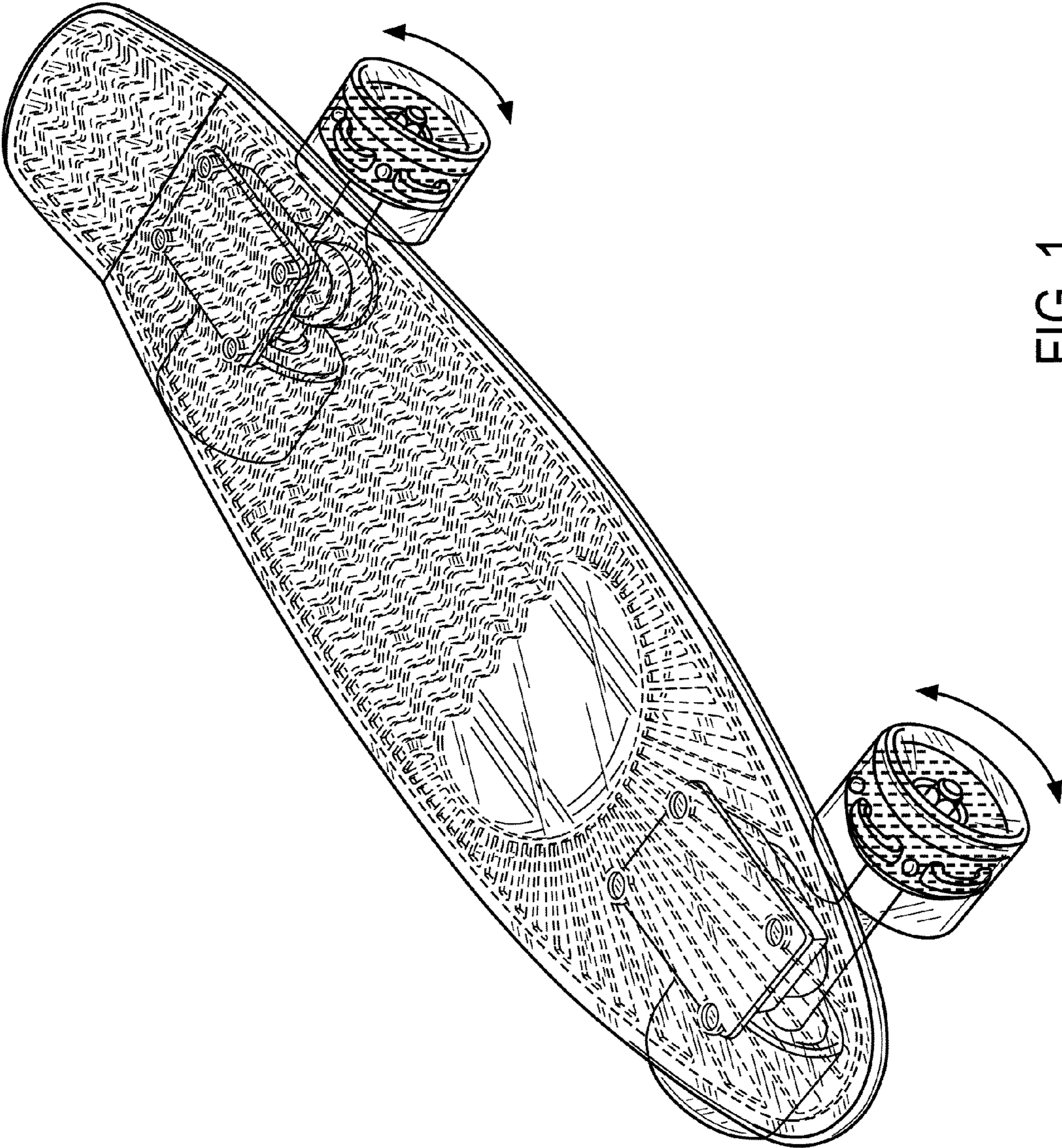


FIG. 1

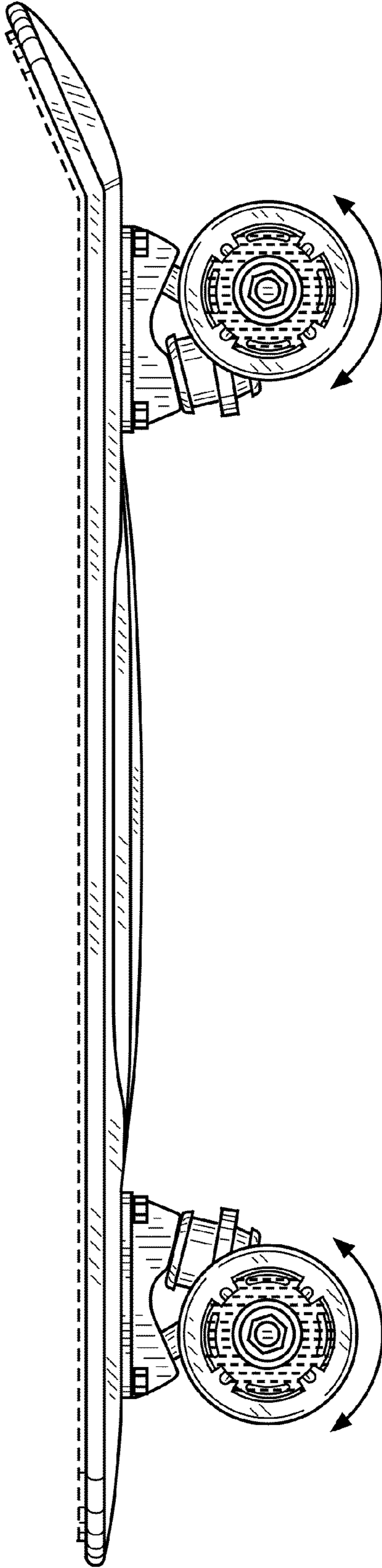


FIG. 2

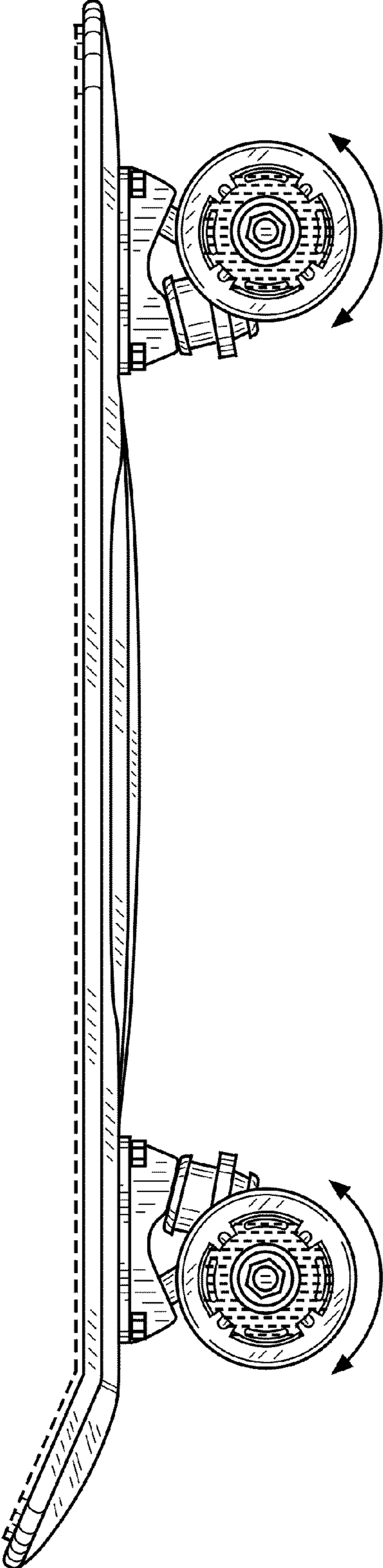


FIG. 3

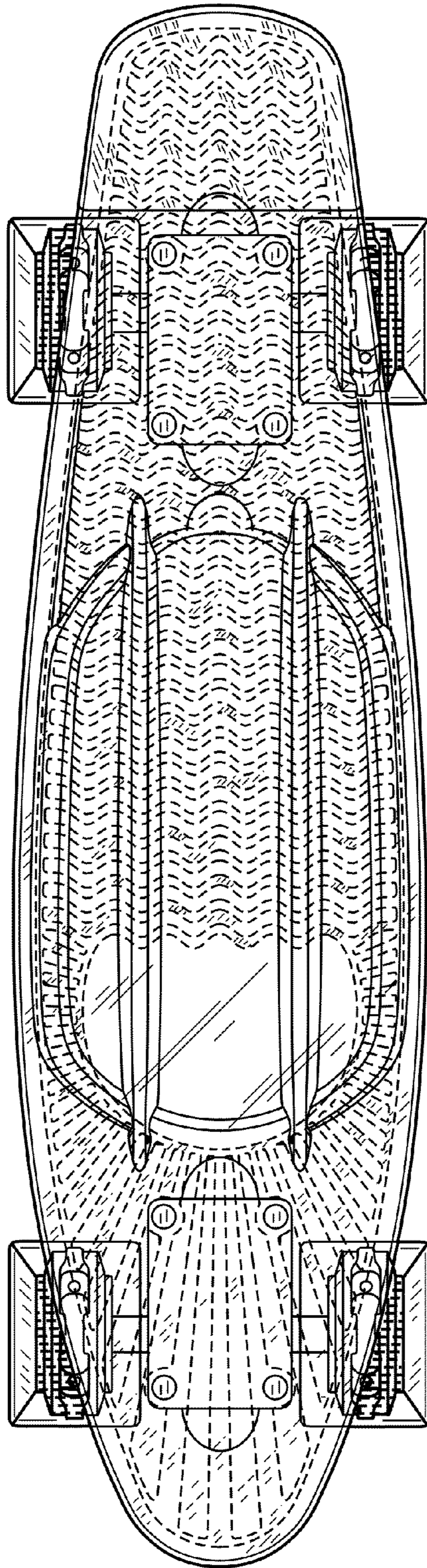


FIG. 4

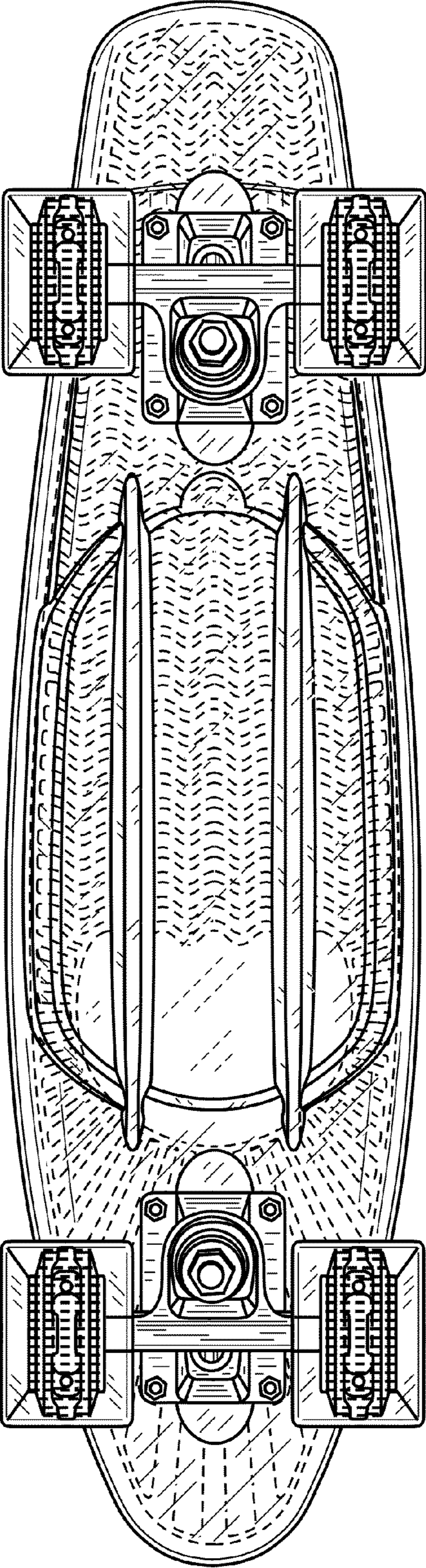


FIG. 5

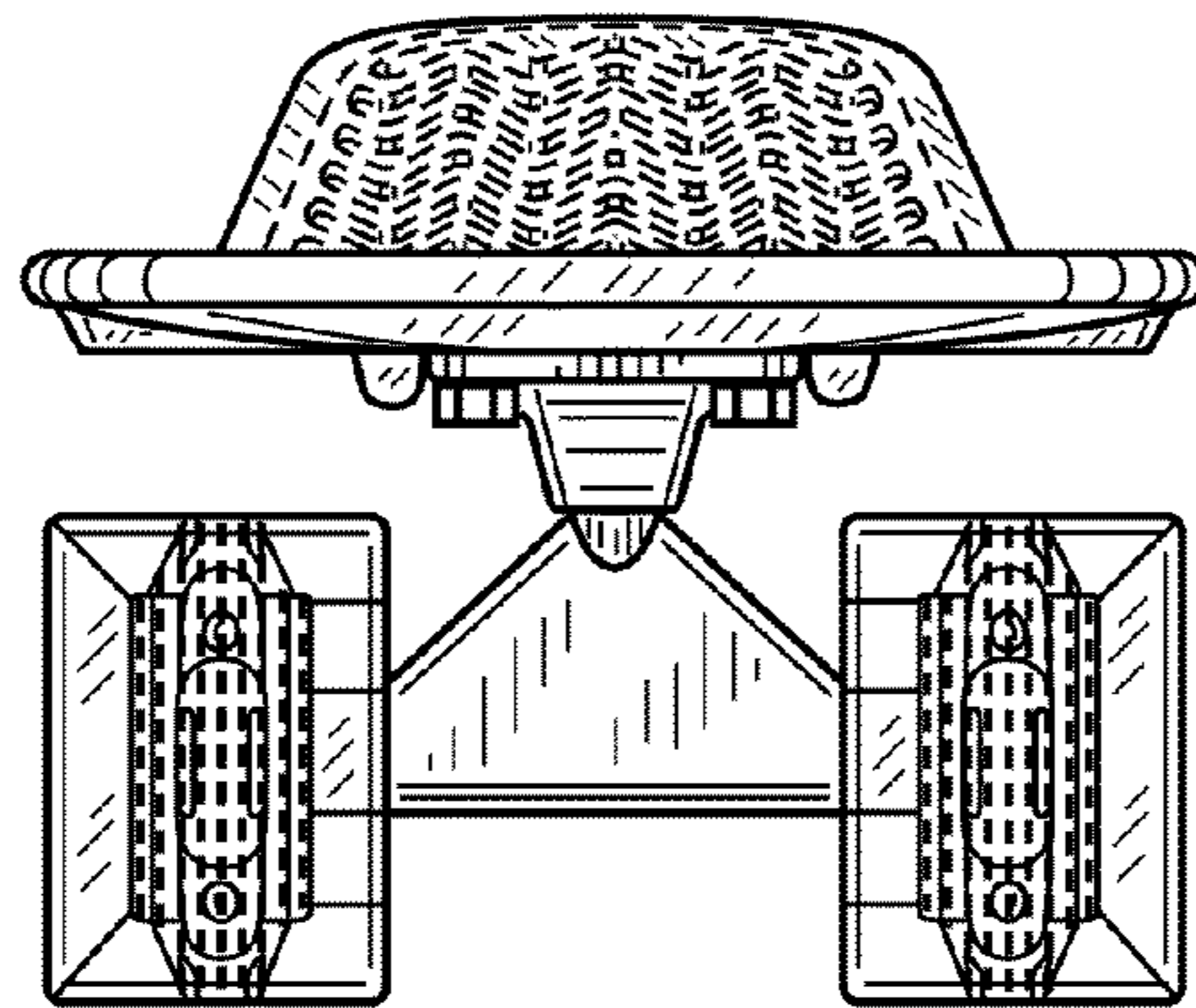


FIG. 6

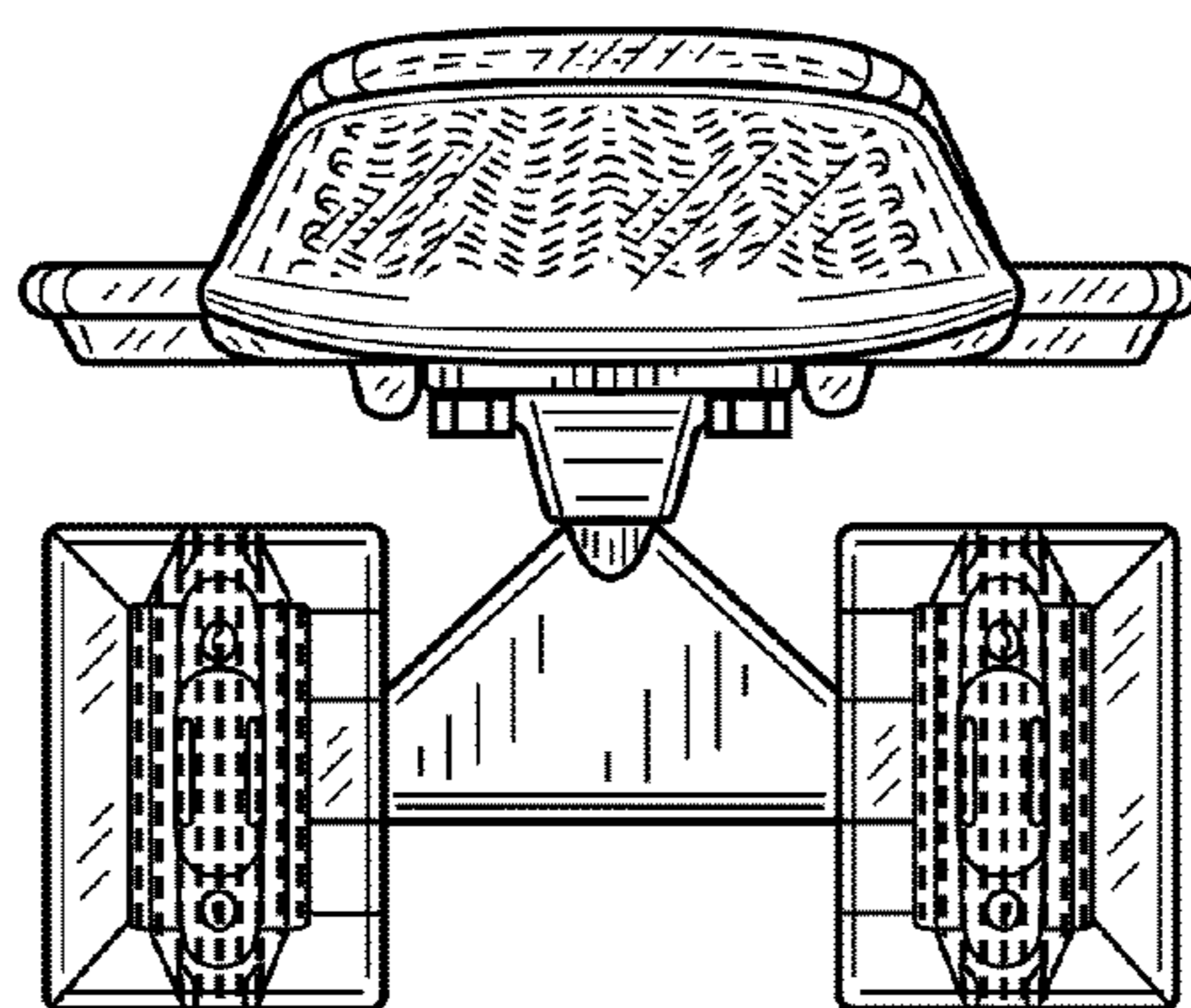


FIG. 7

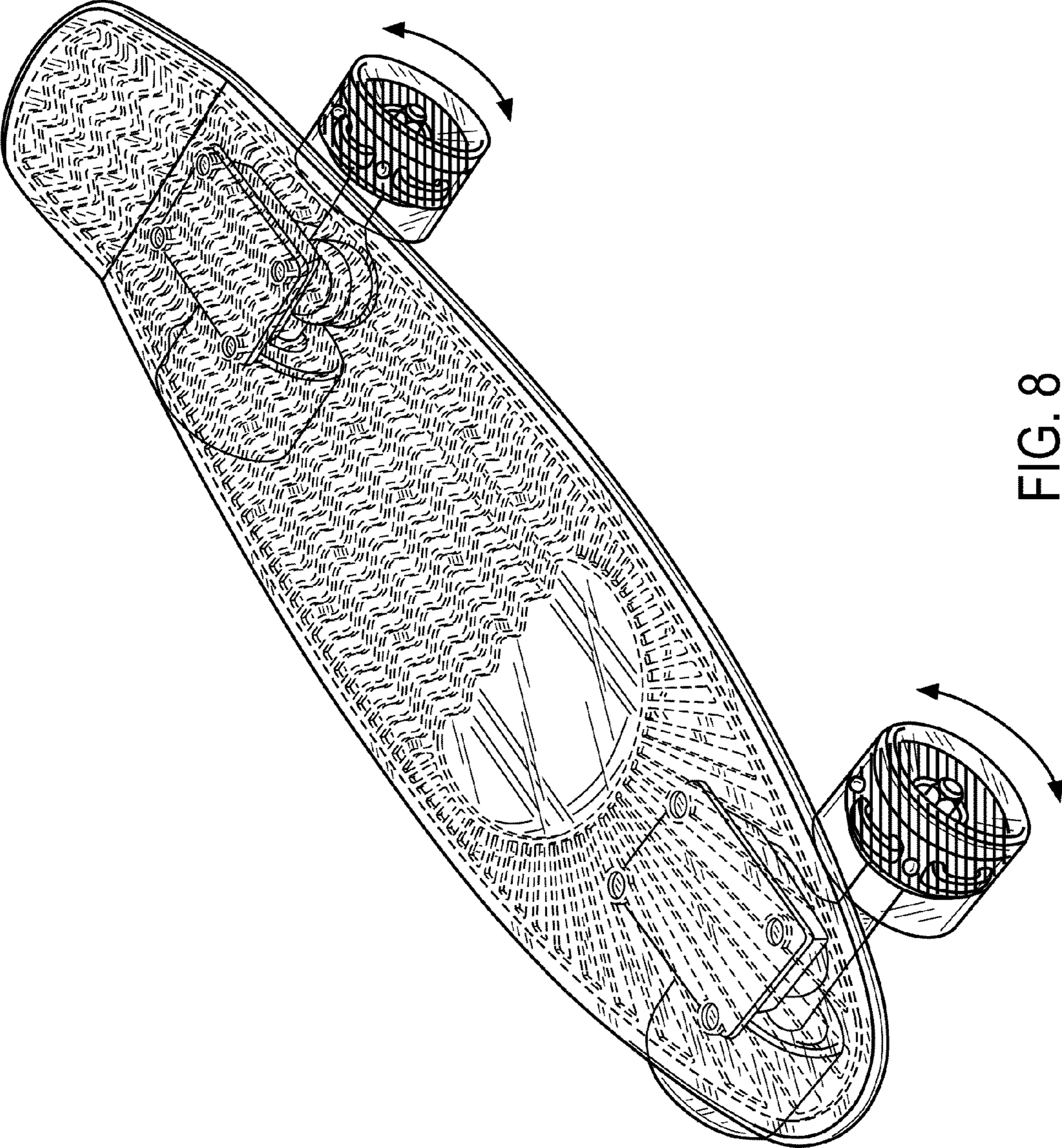


FIG. 8

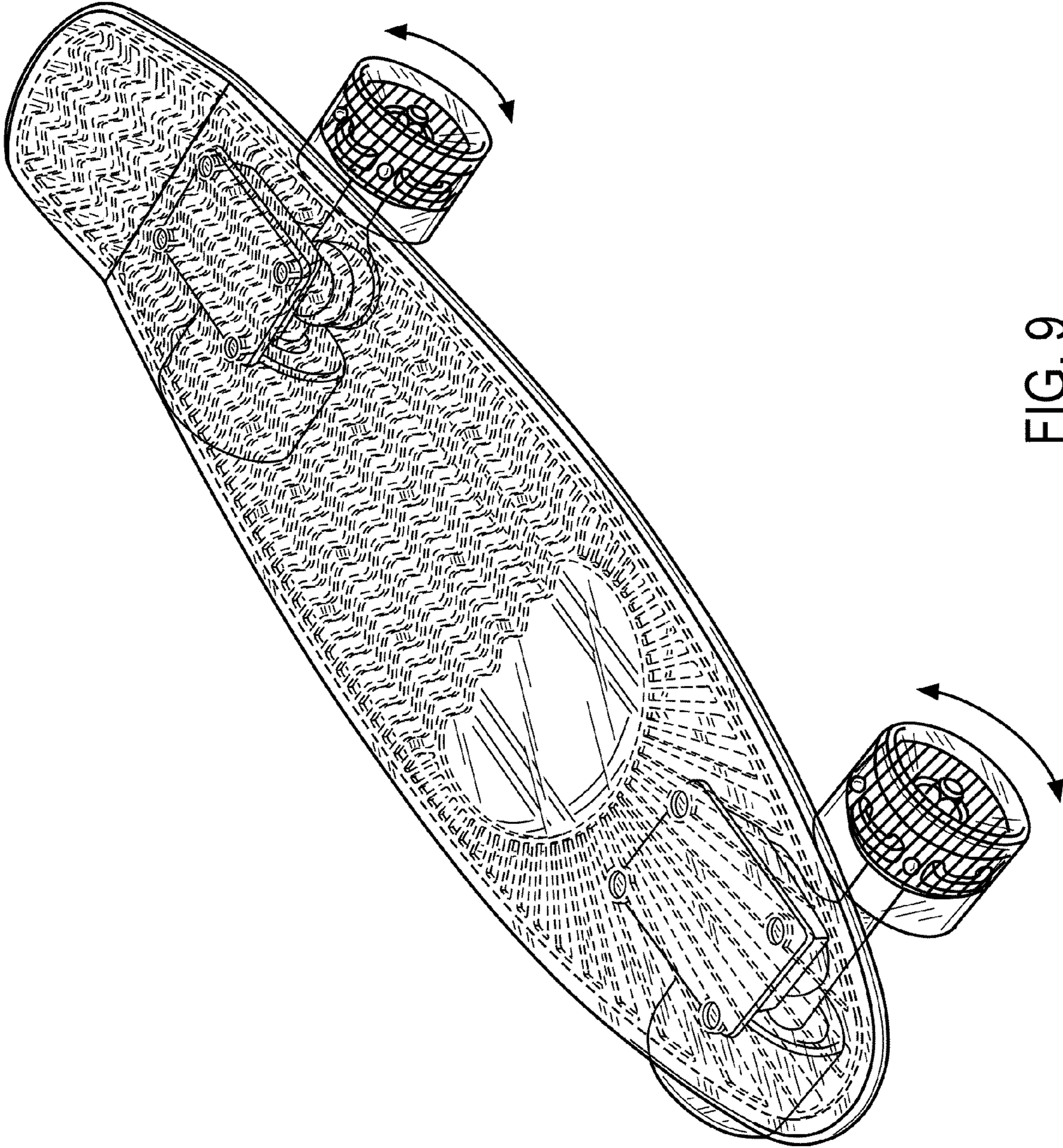


FIG. 9

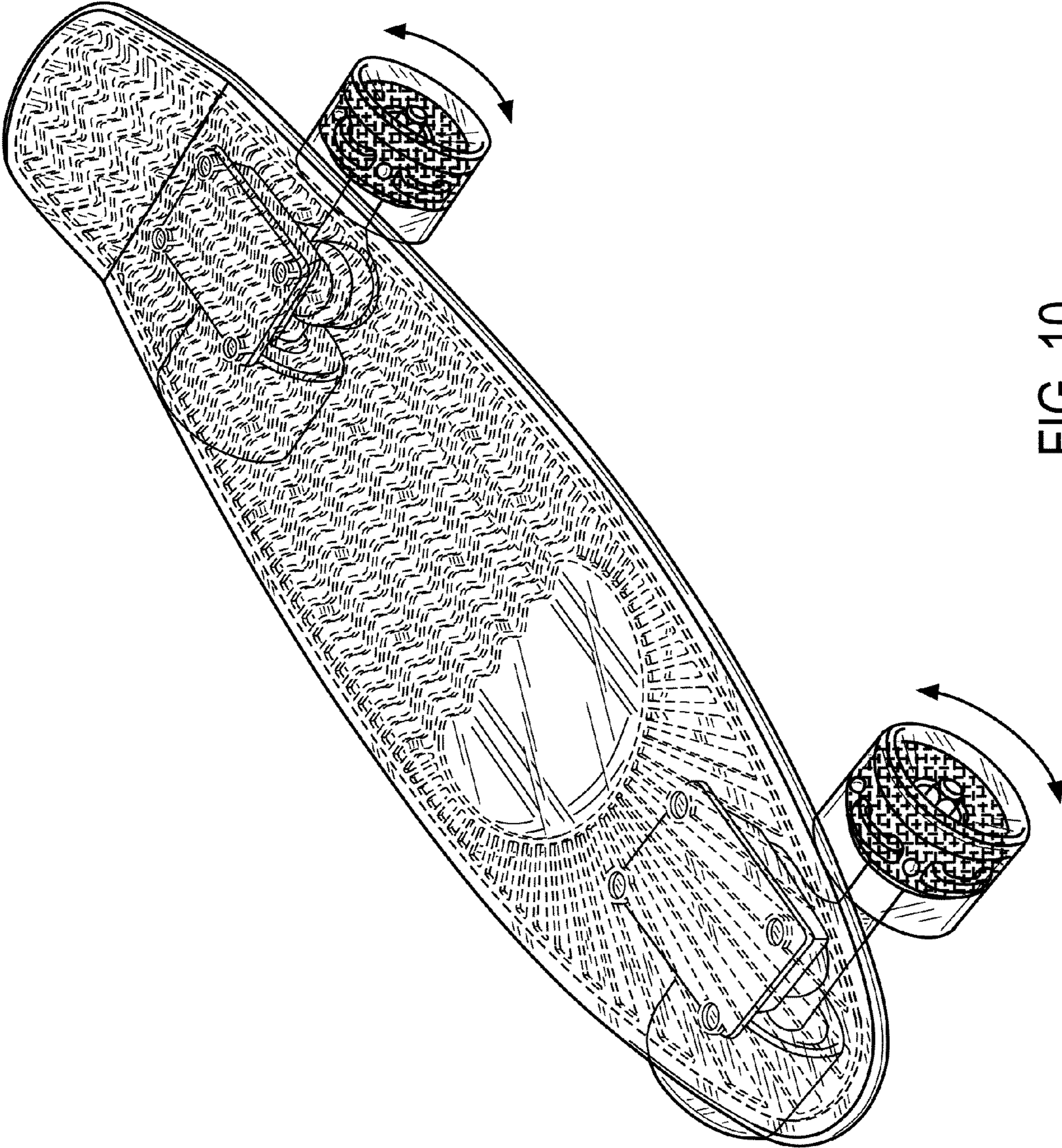


FIG. 10

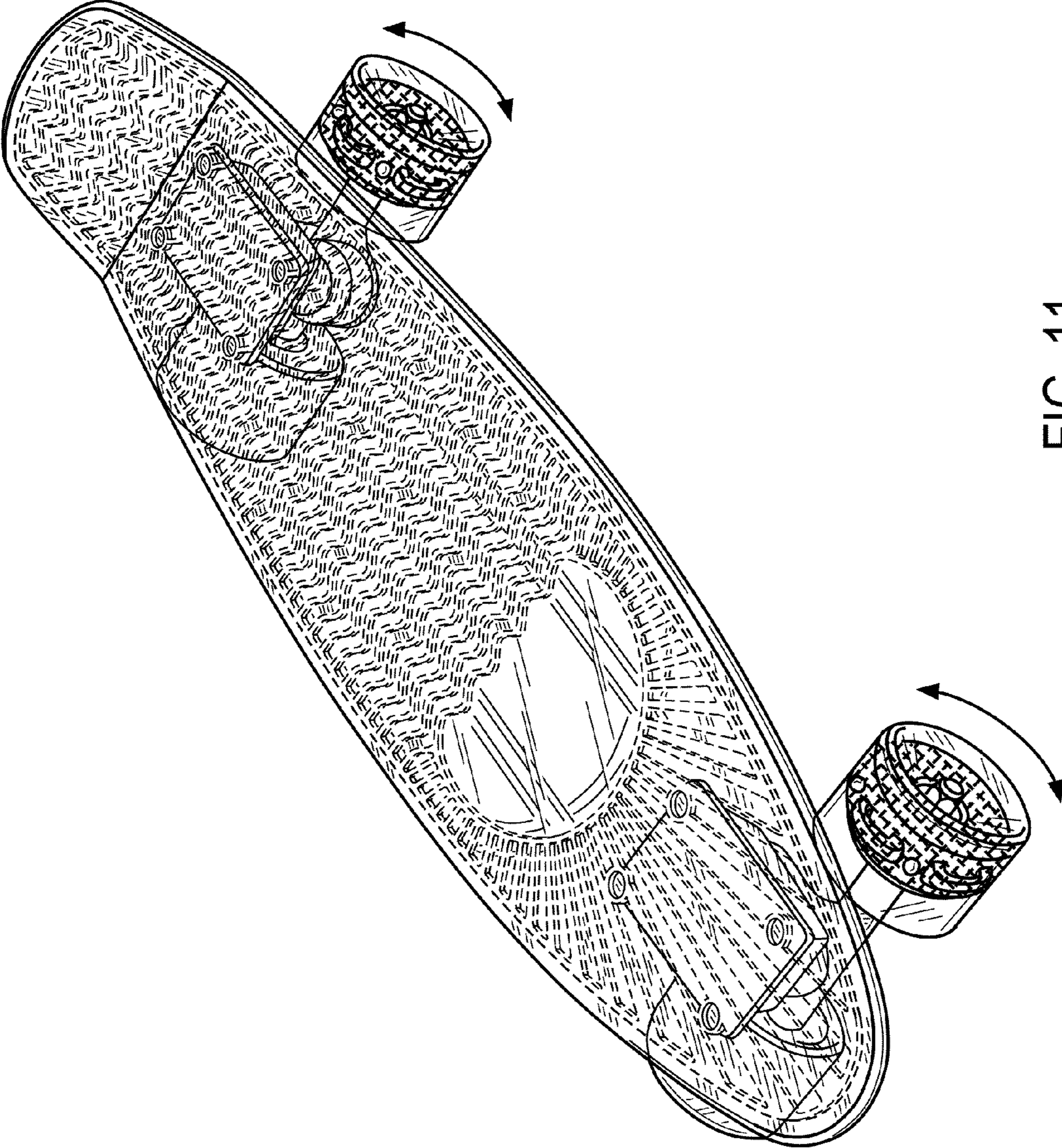


FIG. 11

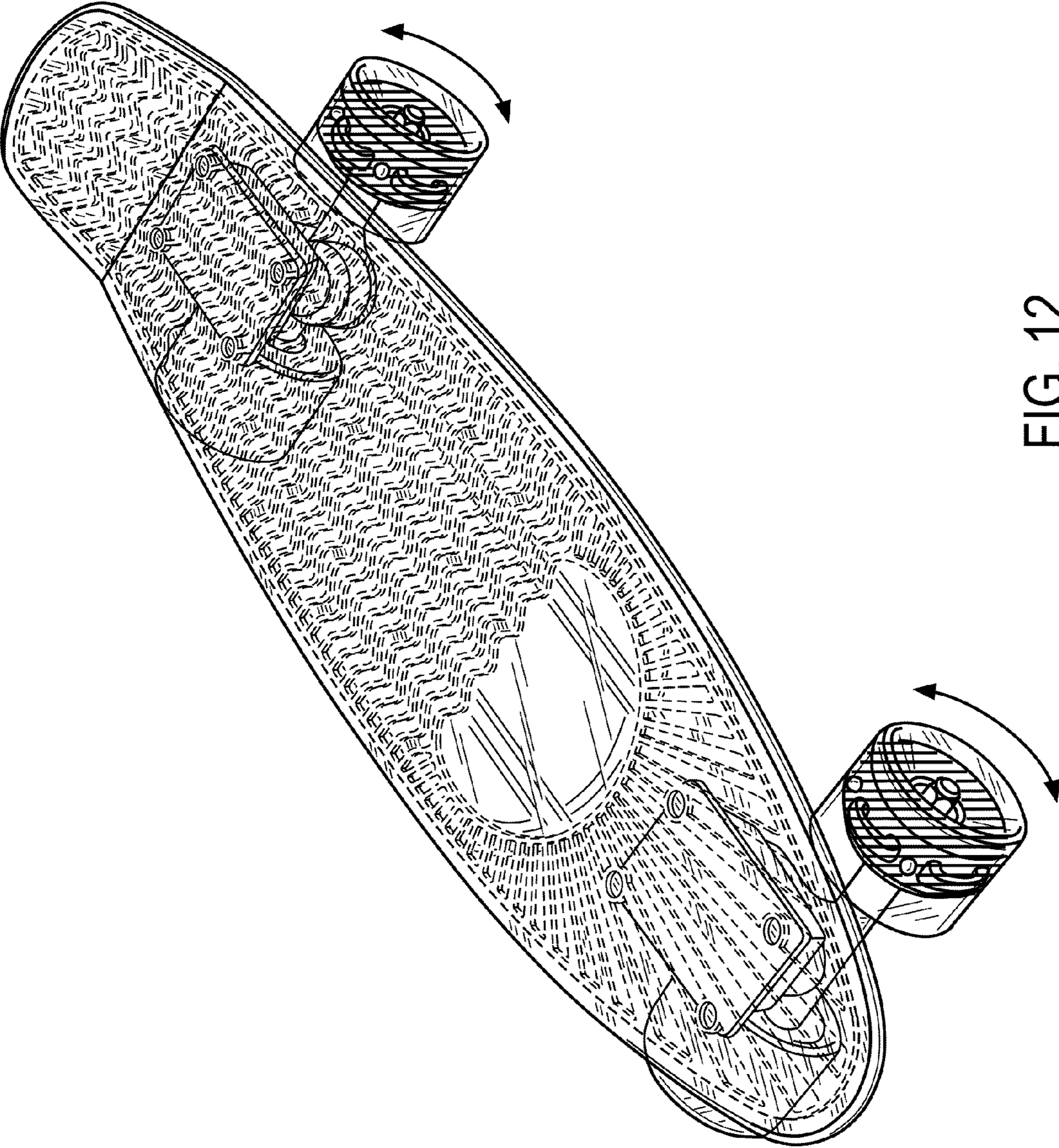


FIG. 12

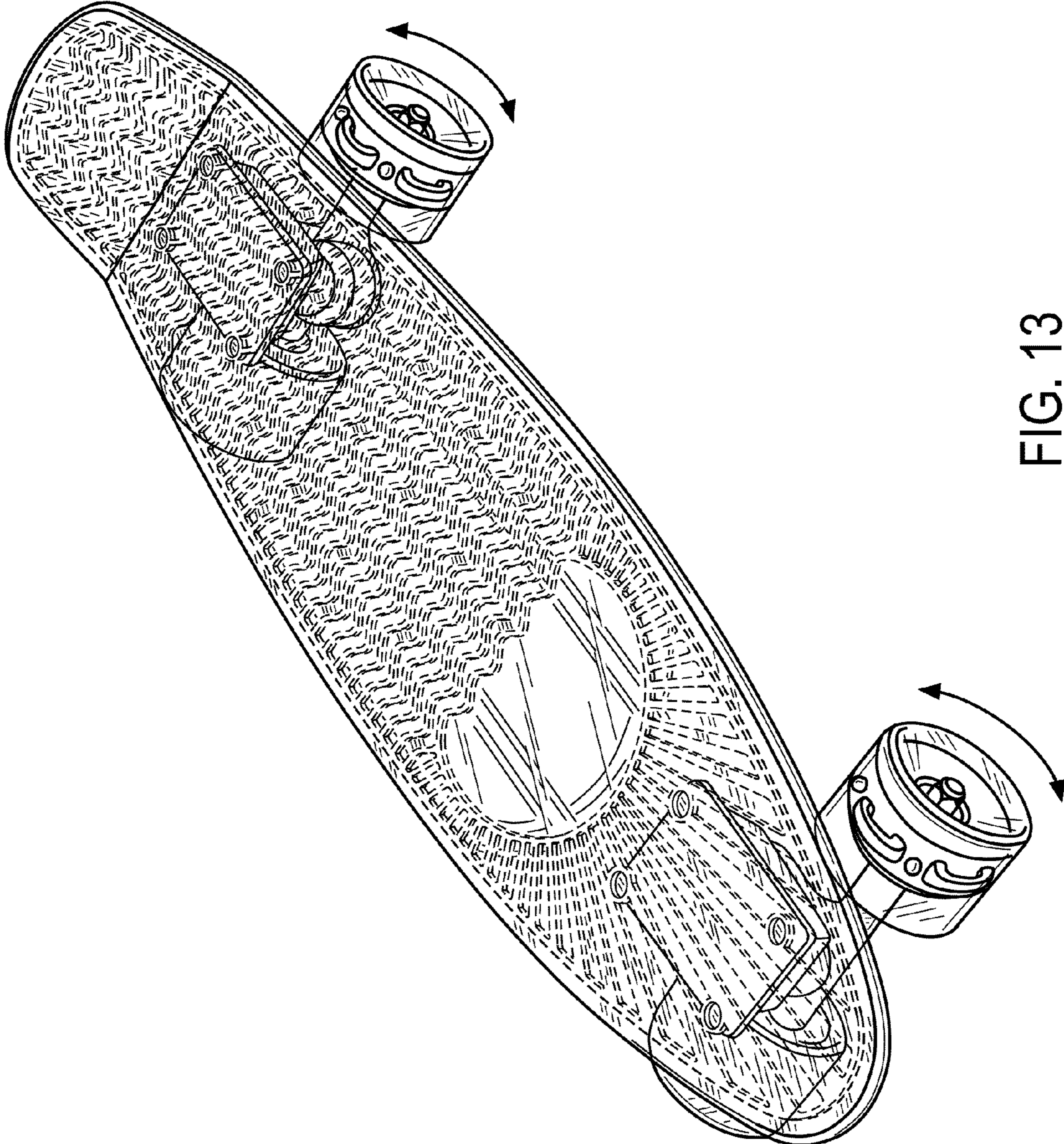


FIG. 13

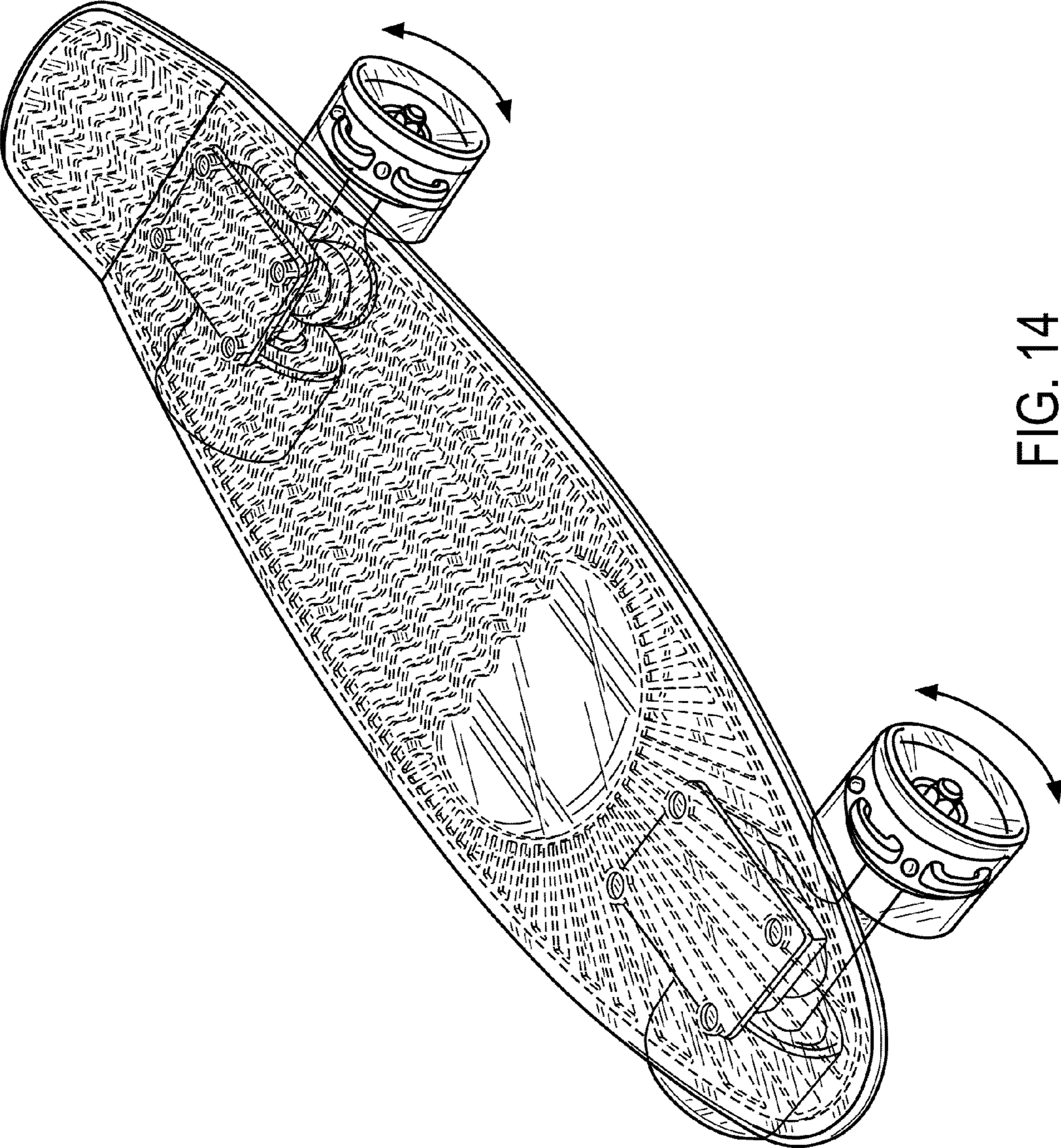


FIG. 14