

US00D723641S

(12) **United States Design Patent**
Serrano et al.

(10) **Patent No.:** **US D723,641 S**
(45) **Date of Patent:** **** Mar. 3, 2015**

(54) **GOLF CLUB HEAD**
(71) Applicant: **Karsten Manufacturing Corporation,**
Phoenix, AZ (US)
(72) Inventors: **Anthony D. Serrano,** Anthem, AZ (US);
Xiaojian Chen, Phoenix, AZ (US)
(73) Assignee: **Karsten Manufacturing Corporation,**
Phoenix, AZ (US)

D507,612 S 7/2005 Souza
6,926,615 B1 8/2005 Souza
6,960,140 B2 11/2005 Solheim
6,966,845 B2 11/2005 Solheim
D520,584 S 5/2006 Karlson
D521,582 S 5/2006 Souza
7,052,411 B2 5/2006 Solheim
D522,598 S 6/2006 Solheim
7,077,758 B2 7/2006 Rohrer
7,086,957 B2 8/2006 Solheim
D527,777 S 9/2006 Solheim

(Continued)

(**) Term: **14 Years**

OTHER PUBLICATIONS

(21) Appl. No.: **29/470,602**

Stina Sternberg and Ashley Mayo, "2008 Spring Equipment Preview" Golf for Women, May-Jun. 2008 at 114.

(22) Filed: **Oct. 23, 2013**

(Continued)

(51) **LOC (10) Cl.** **21-02**

(52) **U.S. Cl.**
USPC **D21/743**

Primary Examiner — Mitchell Siegel

(58) **Field of Classification Search**
USPC D21/736-746; 473/324-331, 340-341
See application file for complete search history.

(57) **CLAIM**
The ornamental design for a golf club head, as shown and described.

DESCRIPTION

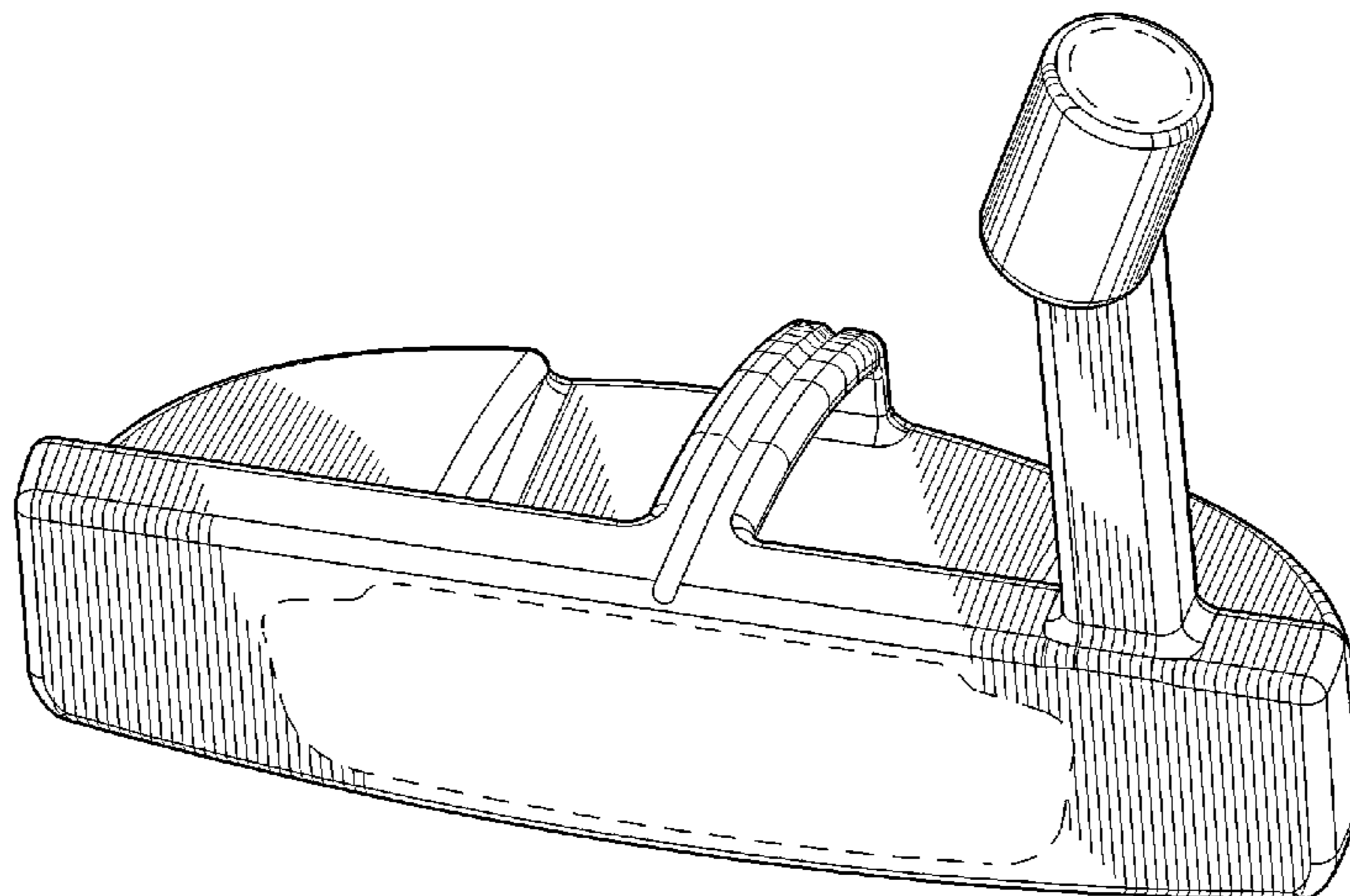
(56) **References Cited**

U.S. PATENT DOCUMENTS

3,884,477 A 5/1975 Bianco
4,030,766 A 6/1977 Derr
D316,129 S 4/1991 Bryson
5,275,412 A * 1/1994 Innes 473/253
5,685,784 A * 11/1997 Butler 473/340
6,159,108 A 12/2000 De La Pena
6,379,259 B1 4/2002 Opie
D488,526 S 4/2004 Souza
D500,109 S 12/2004 Solheim
D500,110 S 12/2004 Solheim
6,837,801 B1 1/2005 Souza
6,878,071 B1 4/2005 Schwieger
6,893,355 B2 5/2005 Souza
6,902,496 B2 6/2005 Solheim

FIG. 1 is a top perspective view of a golf club head;
FIG. 2 is a bottom perspective view of the golf club head of FIG. 1;
FIG. 3 is a front view of the golf club head of FIG. 1;
FIG. 4 is a rear view of the golf club head of FIG. 1;
FIG. 5 is a top view of the golf club head of FIG. 1;
FIG. 6 is a bottom view of the golf club head of FIG. 1;
FIG. 7 is a left side view of the golf club head of FIG. 1; and,
FIG. 8 is a right side view of the golf club head of FIG. 1.
The broken lines shown in one or more of the figures are for illustrative purposes only and form no part of the claimed design.

1 Claim, 5 Drawing Sheets



(56)

References Cited

U.S. PATENT DOCUMENTS

D529,108 S 9/2006 Stites
 D532,847 S * 11/2006 Rollinson D21/736
 D533,243 S 12/2006 Fife, Jr.
 7,235,021 B2 6/2007 Solheim
 D548,295 S 8/2007 Jertson
 7,255,650 B2 8/2007 Braynt
 D552,197 S 10/2007 Wells
 D565,137 S 3/2008 Oldknow
 D569,462 S * 5/2008 Rollinson D21/744
 7,371,185 B1 5/2008 Rohrer
 D581,473 S 11/2008 Thomas
 D583,003 S 12/2008 Solheim
 D587,325 S 2/2009 Solheim
 D595,372 S * 6/2009 Rollinson D21/736
 D600,760 S 9/2009 Serrano
 D600,761 S 9/2009 Solheim
 D600,762 S 9/2009 Serrano
 7,601,076 B2 10/2009 Rollinson
 D607,950 S 1/2010 Souza
 D621,458 S 8/2010 Serrano
 D621,460 S 8/2010 Serrano
 D621,461 S 8/2010 Serrano
 D621,462 S 8/2010 Serrano
 D621,891 S 8/2010 Serrano
 7,803,066 B2 9/2010 Solheim
 7,815,515 B1 10/2010 Hunt
 D638,891 S 5/2011 Nicolette

D640,341 S * 6/2011 Foster et al. D21/742
 D643,080 S 8/2011 Serrano
 D643,485 S 8/2011 Nicolette
 D643,486 S 8/2011 Serrano
 D643,487 S 8/2011 Serrano
 8,100,779 B2 1/2012 Solheim
 D653,718 S 2/2012 Stokke
 8,109,838 B2 2/2012 Solheim
 8,128,505 B2 3/2012 Tryner et al.
 D664,617 S * 7/2012 Serrano D21/743
 2005/0170904 A1 8/2005 Smeeth
 2006/0094533 A1 5/2006 Warren
 2006/0166755 A1 7/2006 Brown
 2007/0191135 A1 8/2007 Nilsson
 2008/0096686 A1 4/2008 Bilkhu
 2010/0227704 A1 9/2010 Souza
 2012/0115628 A1 5/2012 Woods

OTHER PUBLICATIONS

Stina Sternberg, "Hot List 2008-Putters," Golf Digest Feb. 2008 at 158-169 also available at: <http://www.golfdigest.com/equipment/ratings>.
 Anthony D. Serrano et al., "Golf Club Head," U.S. Appl. No. 29/462,129, filed Jul. 31, 2013.
 Xiaojian Chen et al., "Portion of a Golf Club Head," U.S. Appl. No. 29/468,702, filed Oct. 2, 2013.
 Anthony D. Serrano et al., "Portion of a Golf Club Head," U.S. Appl. No. 29/468,706, filed Oct. 2, 2013.

* cited by examiner

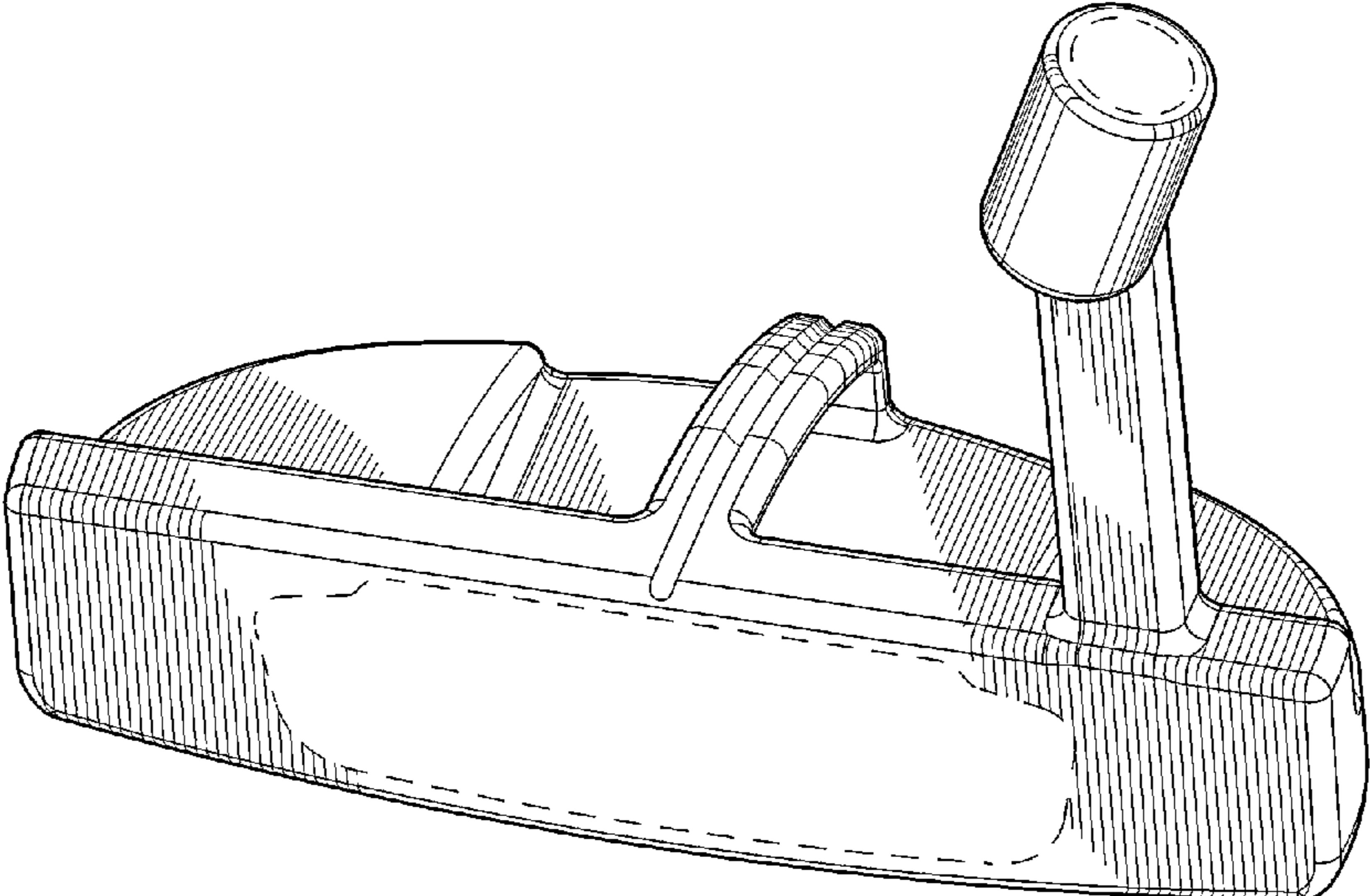


Fig. 1

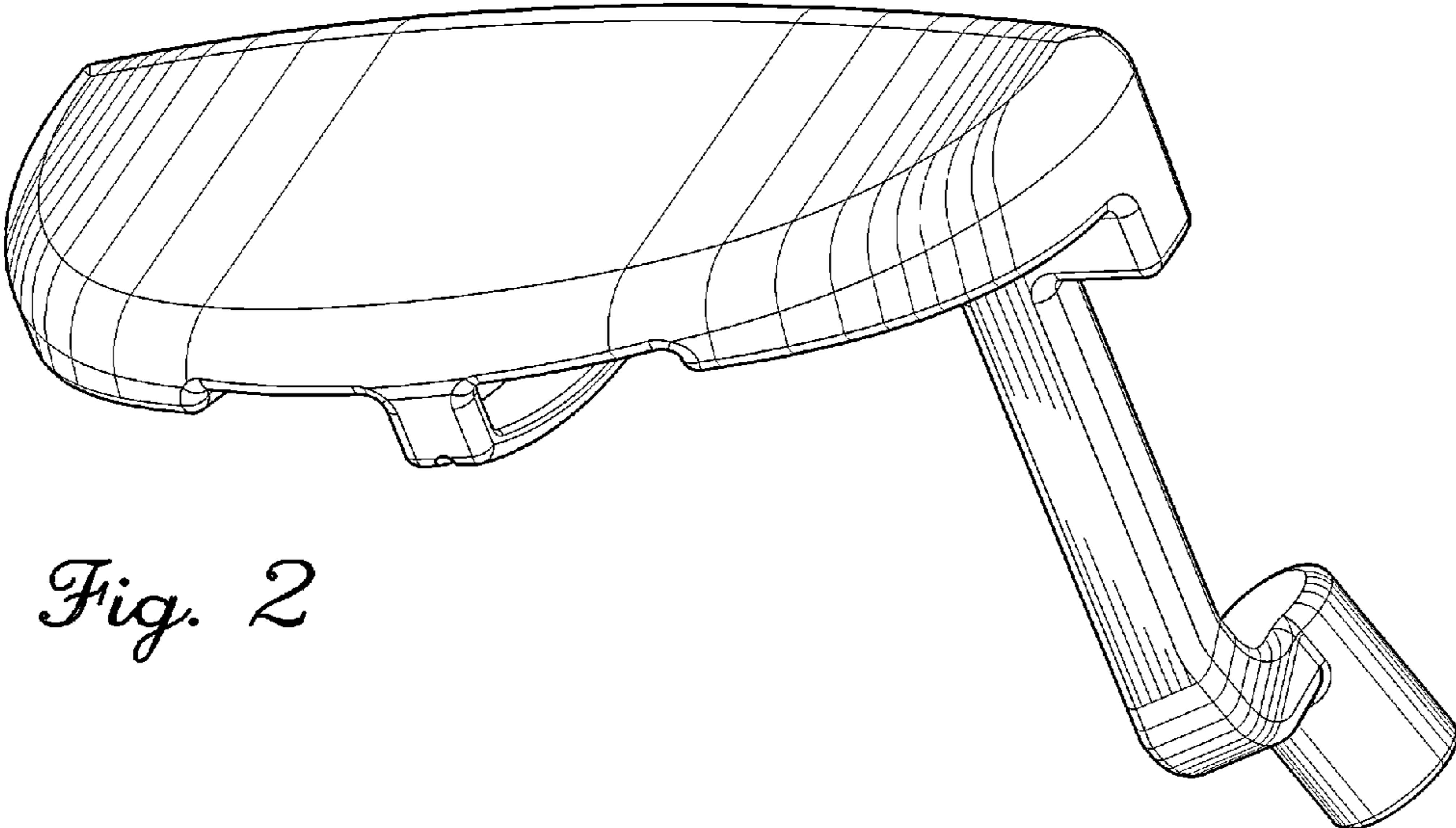


Fig. 2

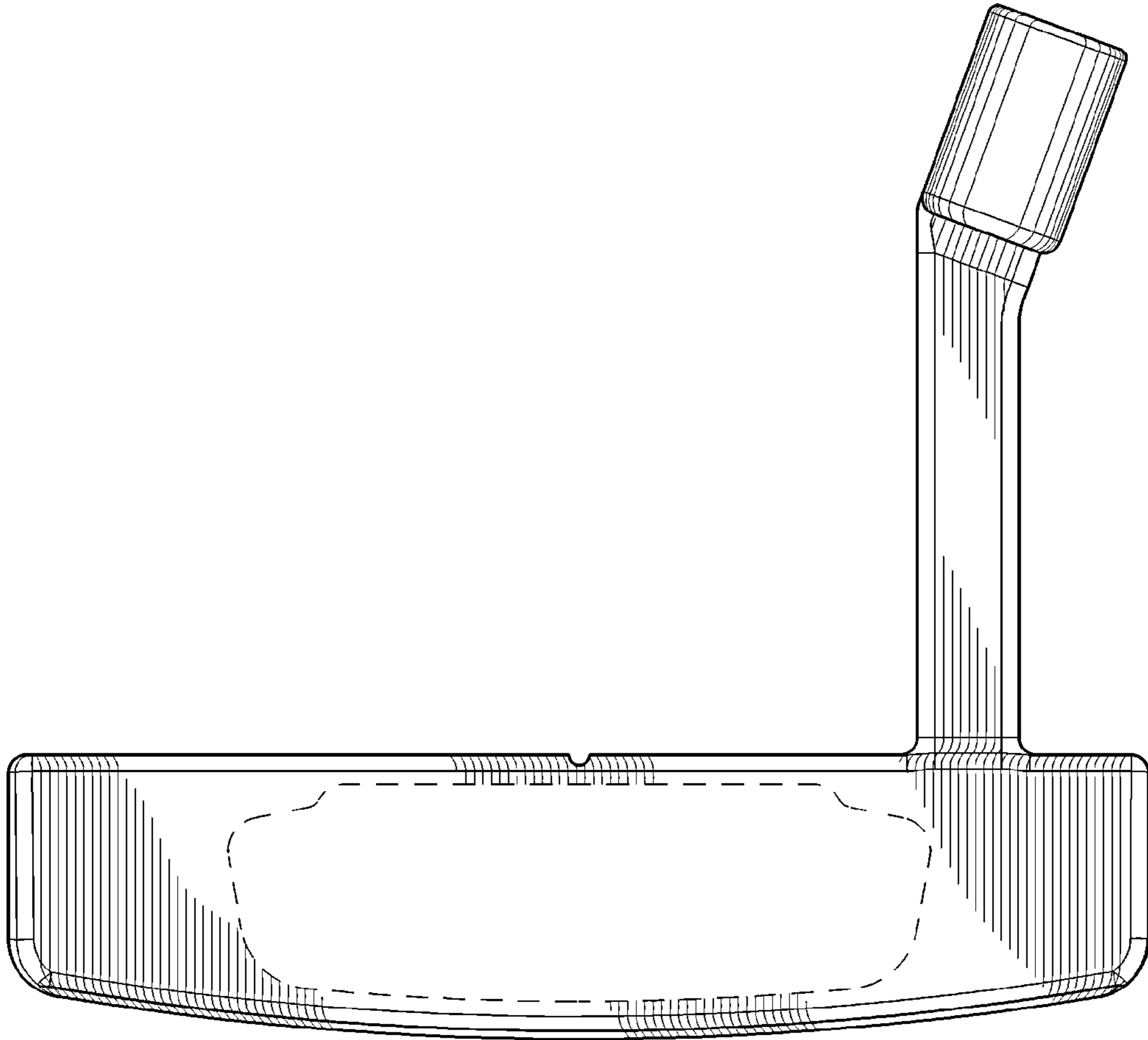


Fig. 3

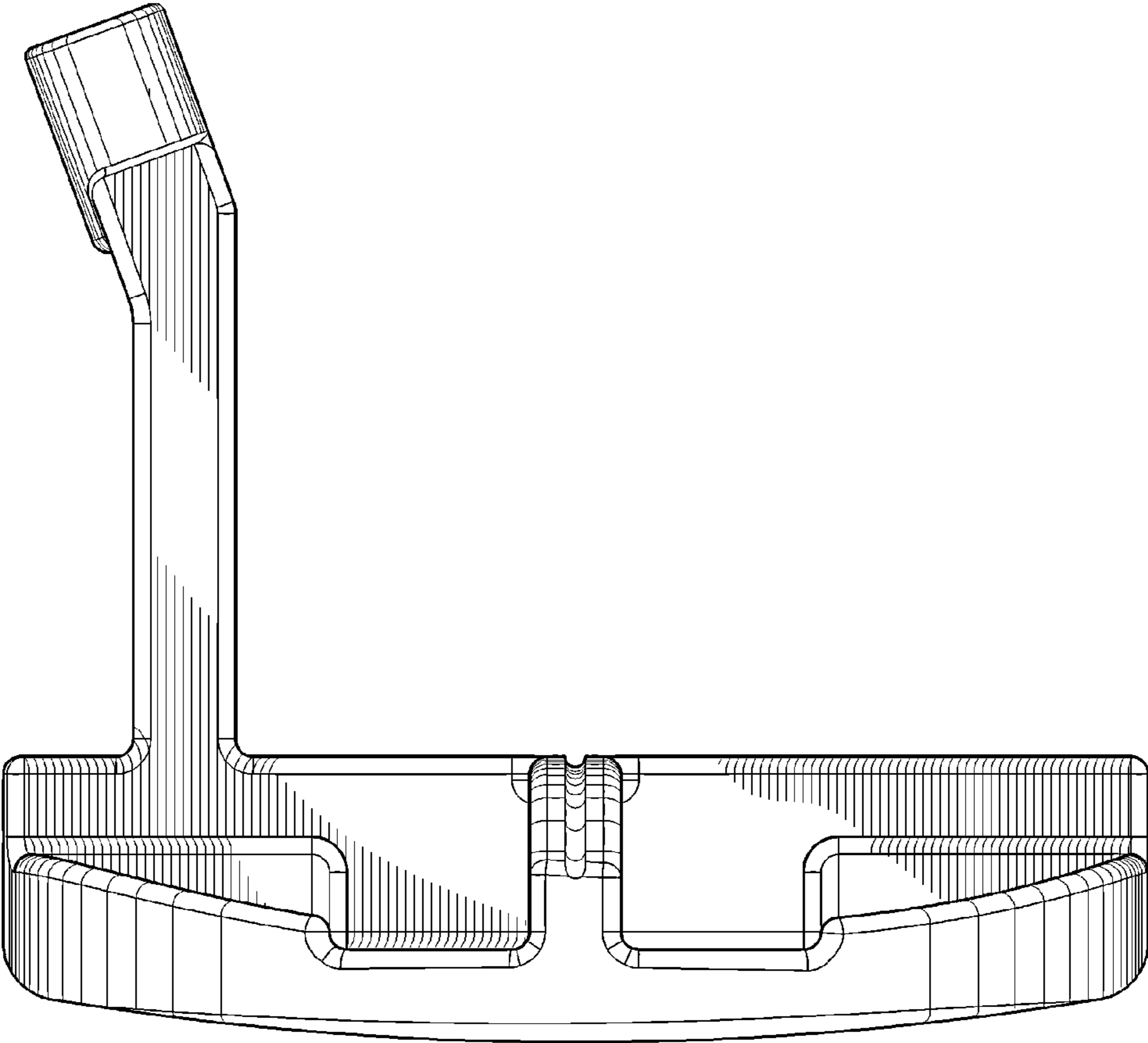


Fig. 4

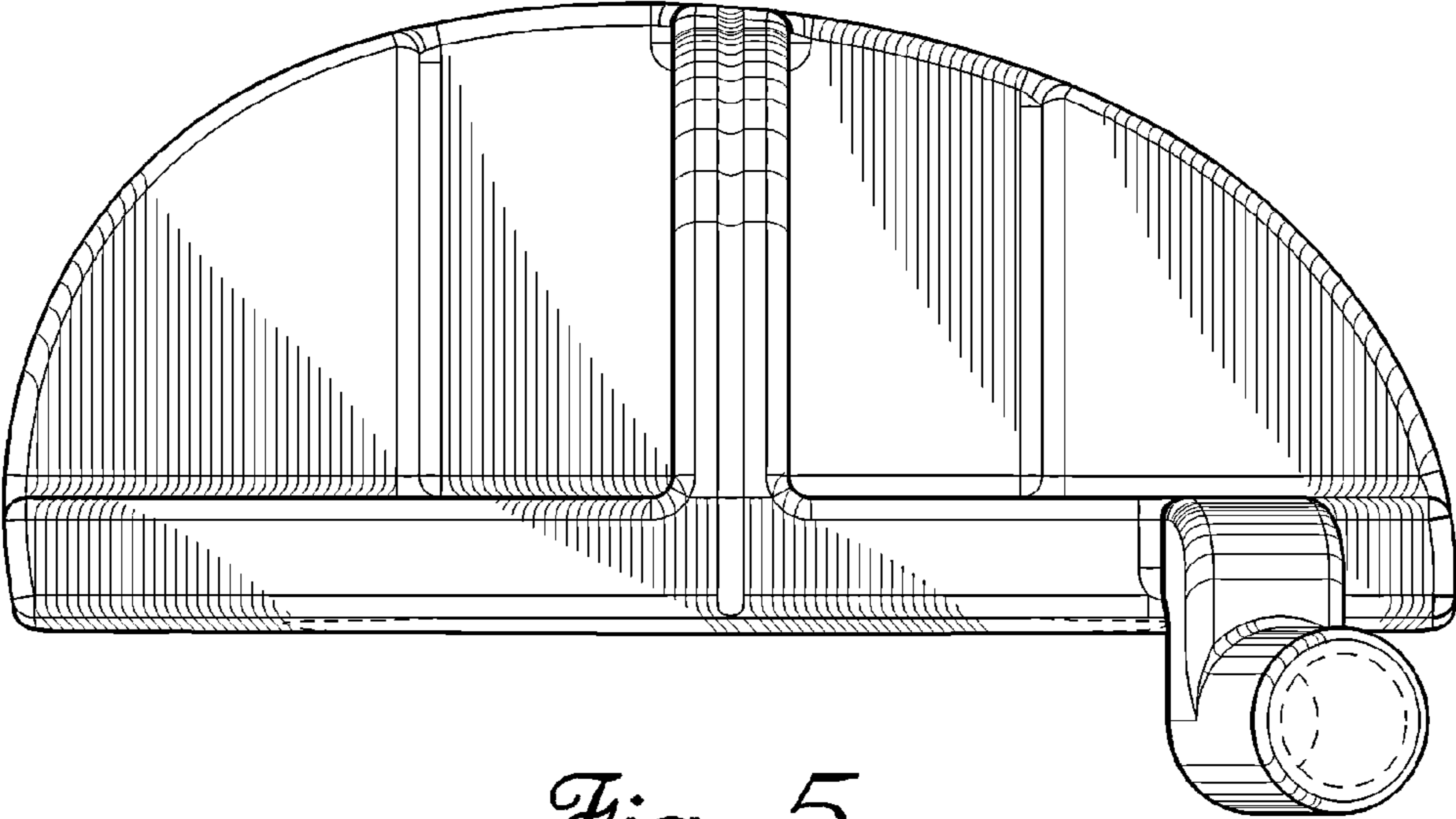


Fig. 5

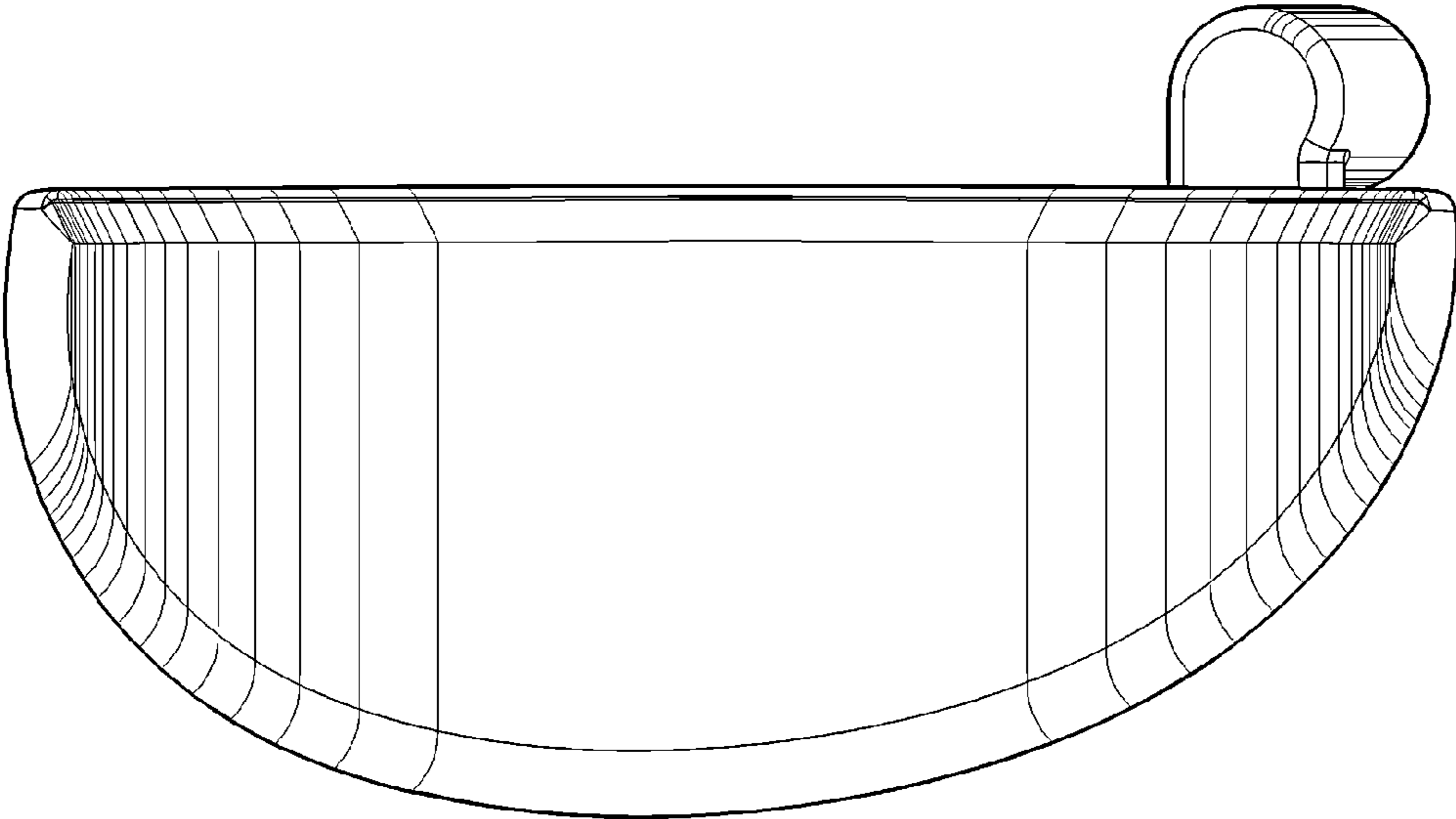


Fig. 6

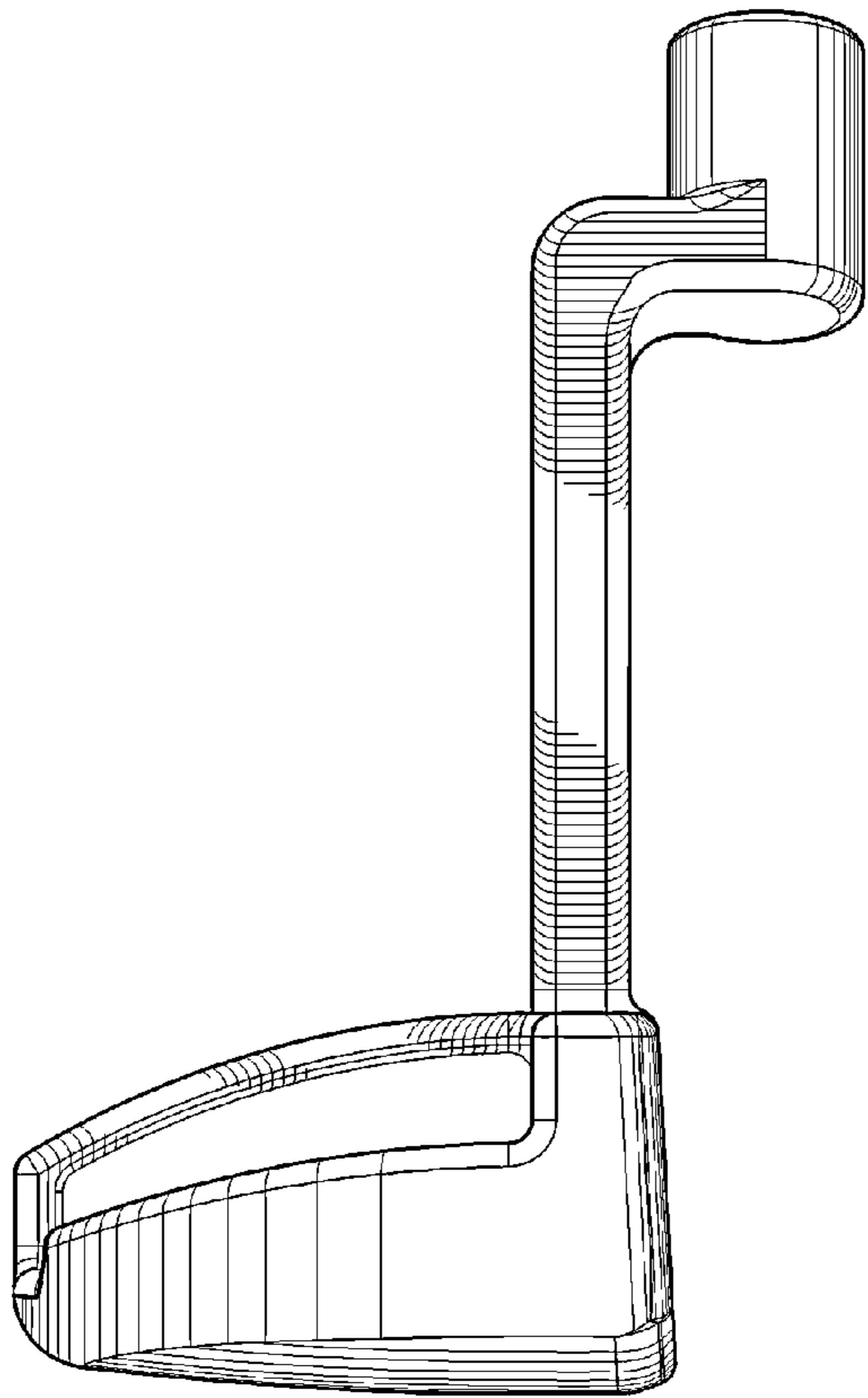


Fig. 7

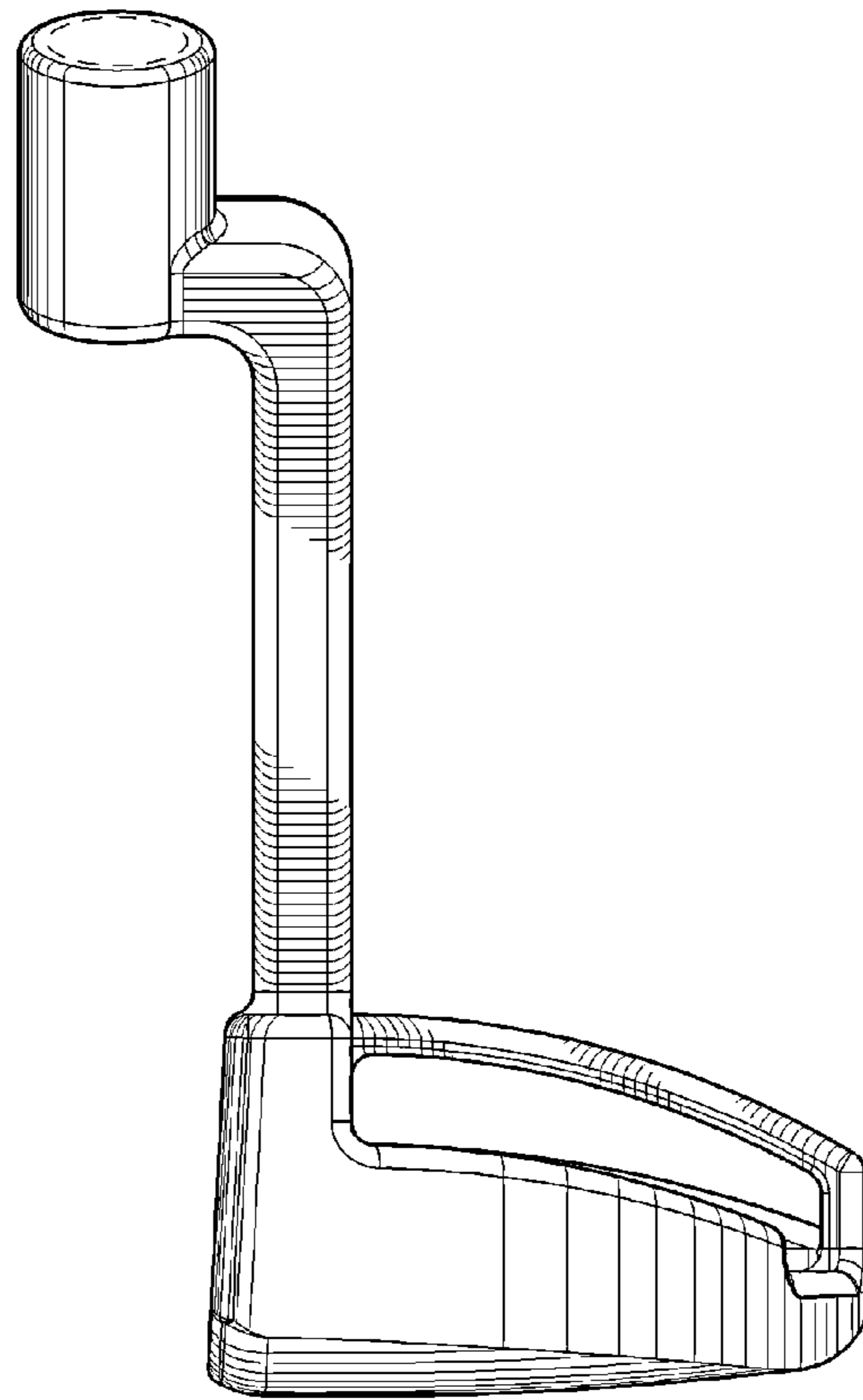


Fig. 8