



US00D723638S

(12) **United States Design Patent**
Zhu

(10) **Patent No.:** **US D723,638 S**
(45) **Date of Patent:** **** Mar. 3, 2015**

(54) **PORTABLE FITNESS EQUIPMENT**
(71) Applicant: **Zhejiang Raytheon Technology Co., Ltd**, Yongkang, Zhejiang (CN)
(72) Inventor: **Xiangjun Zhu**, Zhejiang (CN)
(73) Assignee: **Zhejiang Raytheon Technology Co., Ltd**, Zhiying Town, Yongkang, Zhejiang (CN)

7,381,171 B2 * 6/2008 Chen 482/140
D581,471 S * 11/2008 Mishan et al. D21/687
D647,153 S * 10/2011 Mishan et al. D21/687
D664,615 S * 7/2012 Chuang D21/690
8,210,998 B2 * 7/2012 Chen et al. 482/130
8,641,588 B2 * 2/2014 Verheem 482/140
2008/0076649 A1 * 3/2008 Chen 482/140
2012/0058867 A1 * 3/2012 Mishan et al. 482/140
2013/0337984 A1 * 12/2013 Lung 482/140
2013/0345031 A1 * 12/2013 Chiu 482/130

* cited by examiner

(**) Term: **14 Years**

Primary Examiner — George D Kirschbaum

(21) Appl. No.: **29/465,247**

Assistant Examiner — Jennifer Watkins

(22) Filed: **Aug. 26, 2013**

(74) *Attorney, Agent, or Firm* — Muncy, Geissler, Olds & Lowe, P.C.

(30) **Foreign Application Priority Data**

(57) **CLAIM**

Feb. 26, 2013 (CN) 2013 3 0045994

The ornamental design for a portable fitness equipment, as shown and described.

(51) **LOC (10) Cl.** **21-02**

DESCRIPTION

(52) **U.S. Cl.**
USPC **D21/690**

(58) **Field of Classification Search**
CPC A63B 23/0211; A63B 23/0233; A63B 2208/0233; A63B 21/1492; A63B 2208/0252; A61H 15/00; Y10S 482/907
USPC D21/662, 679, 688-691; 482/35, 36, 482/38-41, 92-101, 104-108, 110, 114, 482/118, 121-124, 130, 140, 146, 148
See application file for complete search history.

FIG. 1 is a front, left perspective view of a portable type vitality fitness equipment showing my new design;
FIG. 2 is a right side view thereof, the left side view being a mirror image thereof;
FIG. 3 is a front elevational view thereof;
FIG. 4 is a rear elevational view thereof;
FIG. 5 is a top plan view thereof; and,
FIG. 6 is a bottom plan view thereof.

The broken line showing in FIG. 6 is for the purpose of illustrating portions of the portable fitness equipment which form no part of the claimed design.

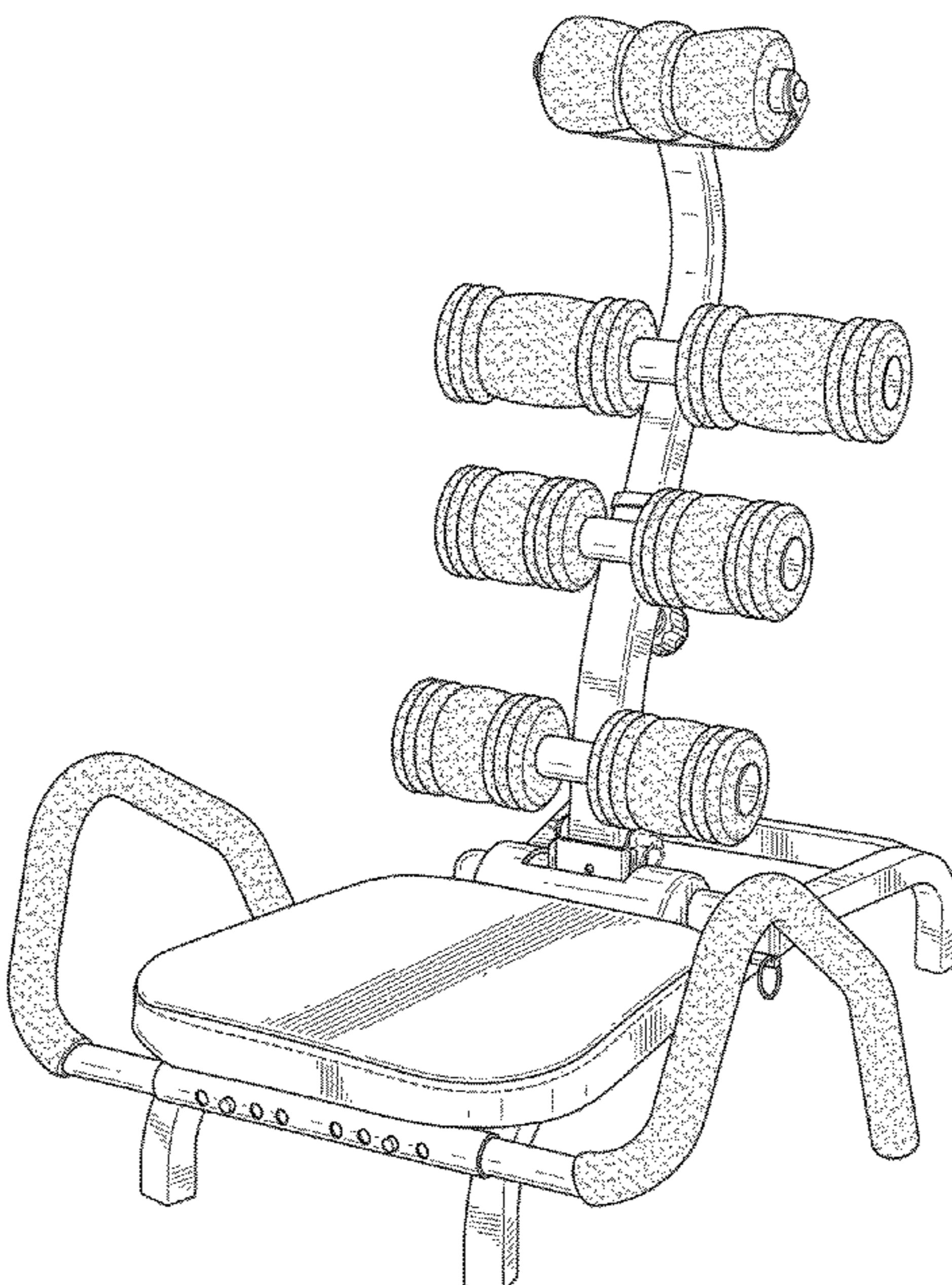
The broken line showing of portable fitness equipment is for the purpose of illustrating portions of the article and stitching that form no part of the claimed design.

(56) **References Cited**

U.S. PATENT DOCUMENTS

5,573,485 A * 11/1996 Geschwender 482/112
5,833,590 A * 11/1998 Chiu et al. 482/142
6,312,401 B1 * 11/2001 Smith 602/32

1 Claim, 6 Drawing Sheets



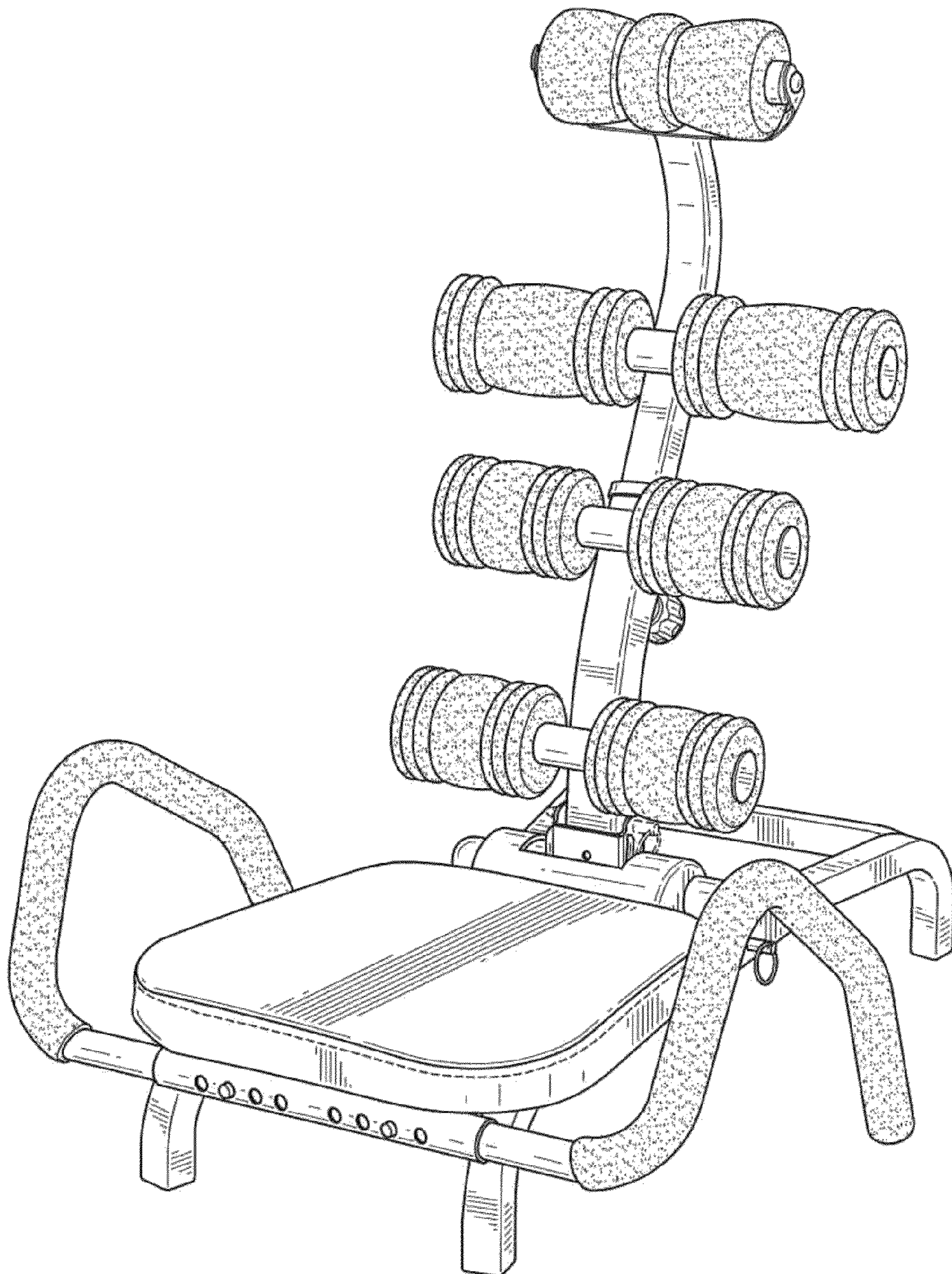


FIG. 1

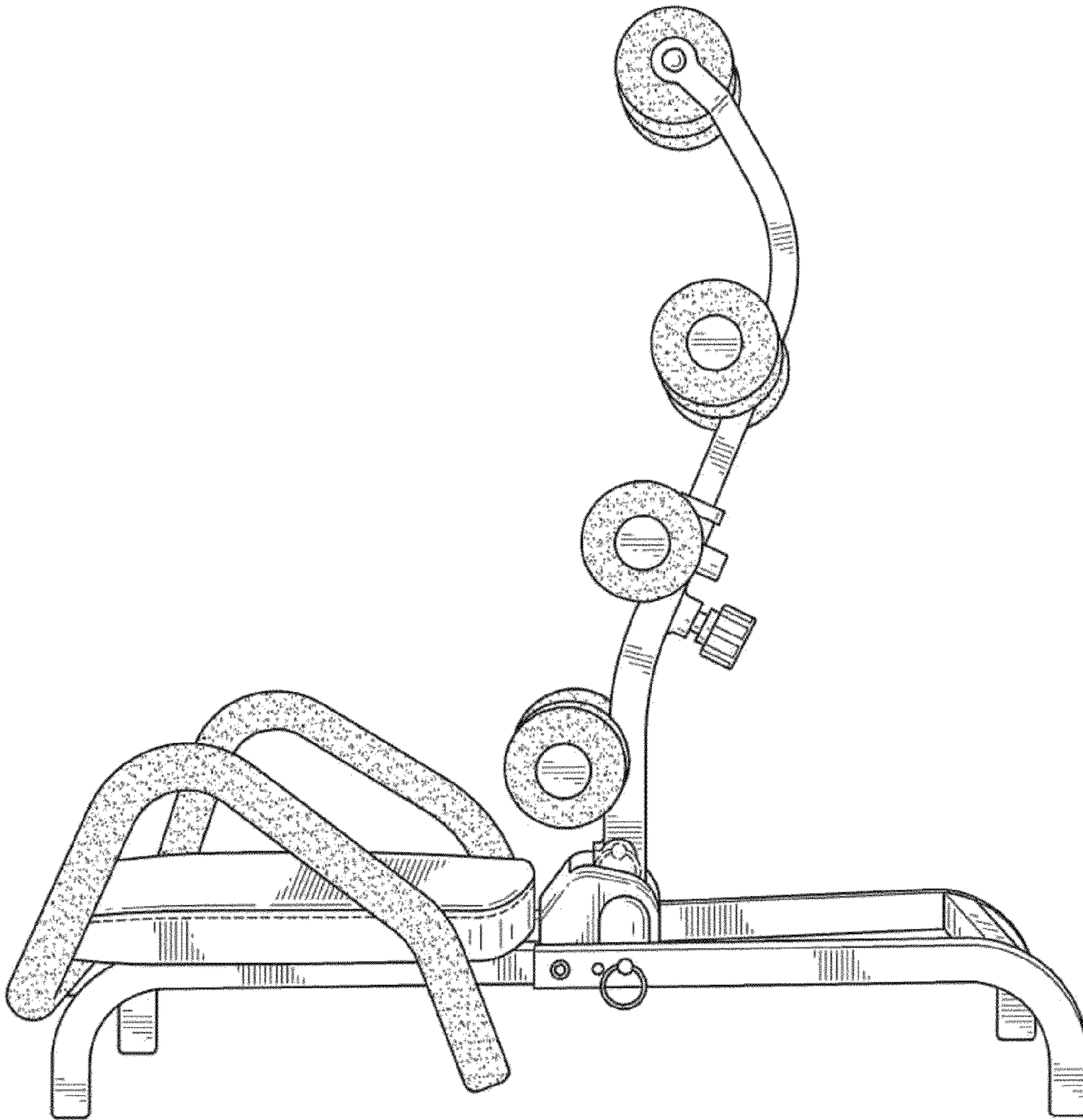


FIG.2

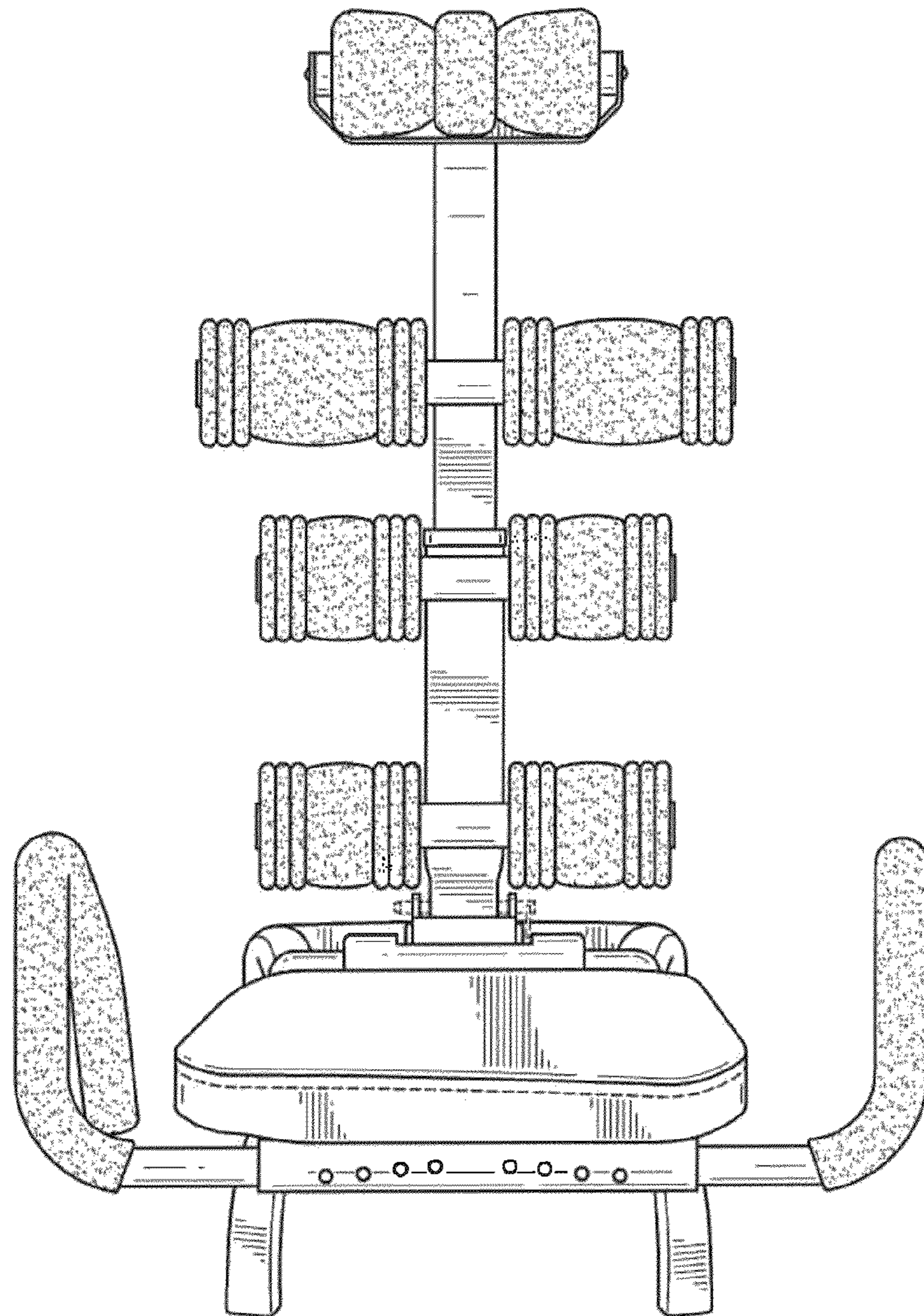


FIG.3

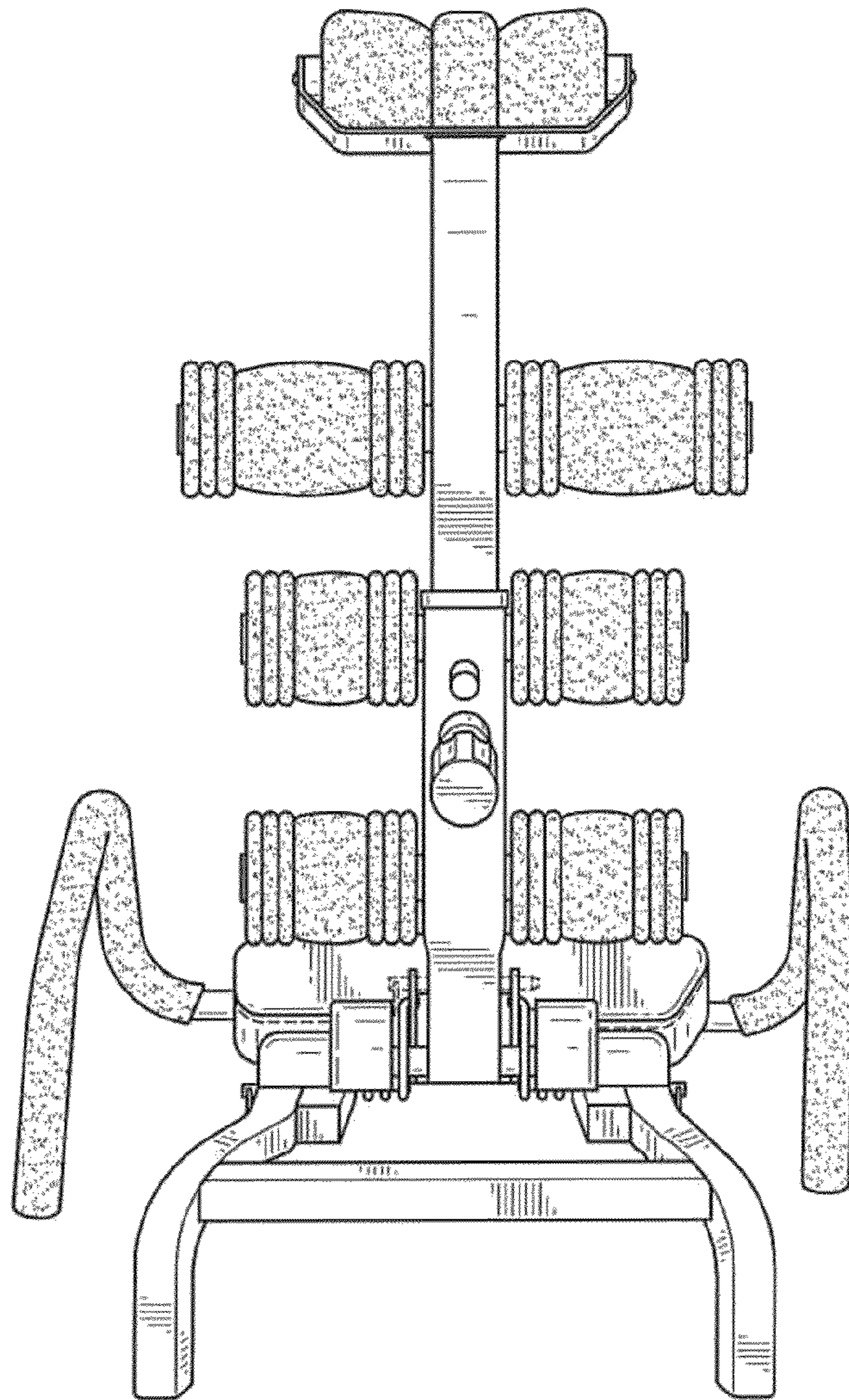


FIG. 4

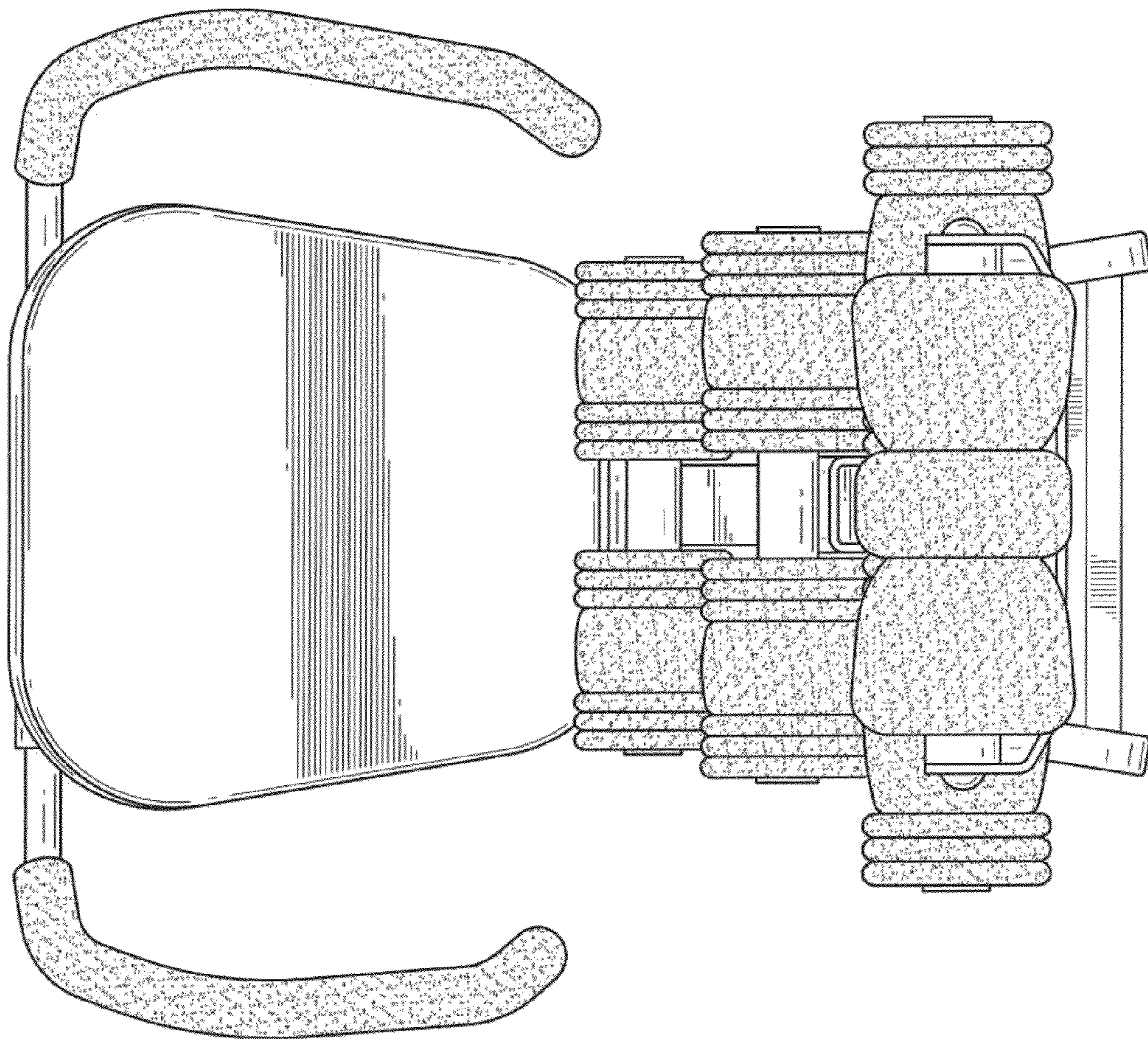


FIG.5

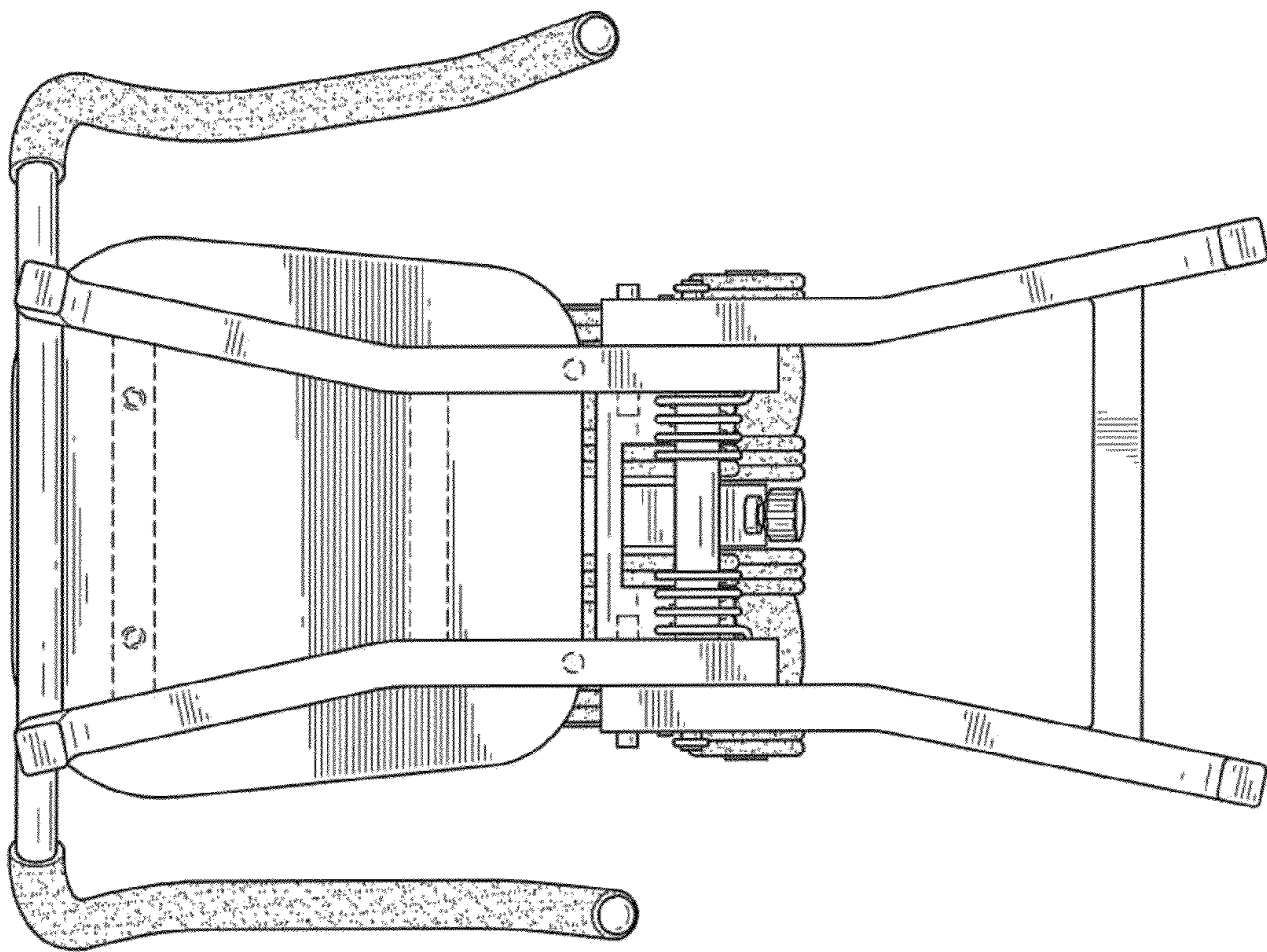


FIG.6