



US00D723635S

(12) **United States Design Patent**
Mendelsohn

(10) **Patent No.:** **US D723,635 S**
(45) **Date of Patent:** **** Mar. 3, 2015**

(54) **WHEELCHAIR ACCESSIBLE FITNESS EQUIPMENT**

(71) Applicant: **Greenfields Outdoor Fitness, Inc.**,
Santa Ana, CA (US)

(72) Inventor: **Sam Mendelsohn**, Santa Ana, CA (US)

(73) Assignee: **Greenfields Outdoor Fitness, Inc.**,
Santa Ana, CA (US)

(**) Term: **14 Years**

(21) Appl. No.: **29/473,061**

(22) Filed: **Nov. 18, 2013**

Related U.S. Application Data

(63) Continuation of application No. 14/051,374, filed on
Oct. 10, 2013.

(51) **LOC (10) Cl.** **21-02**

(52) **U.S. Cl.**
USPC **D21/662**

(58) **Field of Classification Search**
CPC .. A63B 21/062; A63B 21/154; A63B 21/156;
A63B 2208/0233; A63B 23/12; A63B
23/0494; A63B 2021/0623; A63B 21/152;
A63B 2208/0204
USPC D21/675, 676, 691, 694; 482/94, 99,
482/100
See application file for complete search history.

(56) **References Cited**

U.S. PATENT DOCUMENTS

D320,248 S * 9/1991 Moore et al. D21/675
D330,238 S * 10/1992 Desiderio D21/675
5,298,004 A * 3/1994 Davis 482/99

5,328,429 A * 7/1994 Potash et al. 482/99
5,362,290 A * 11/1994 Huang 482/100
7,101,323 B1 * 9/2006 Steffee et al. 482/100
2006/0105888 A1 * 5/2006 Piane 482/94
2007/0042878 A1 * 2/2007 Lundquist et al. 482/99
2007/0054786 A1 * 3/2007 Piane 482/94
2008/0096735 A1 * 4/2008 Grider 482/99
2008/0300116 A1 * 12/2008 Eder 482/100
2011/0028282 A1 * 2/2011 Sbragia 482/99
2012/0295772 A1 * 11/2012 Meyer 482/99
2013/0157816 A1 * 6/2013 Lyszcza 482/99
2014/0121071 A1 * 5/2014 Strom et al. 482/99
2014/0135181 A1 * 5/2014 Smith 482/94

* cited by examiner

Primary Examiner — George D Kirschbaum

Assistant Examiner — Jennifer Watkins

(74) *Attorney, Agent, or Firm* — Eric Karich

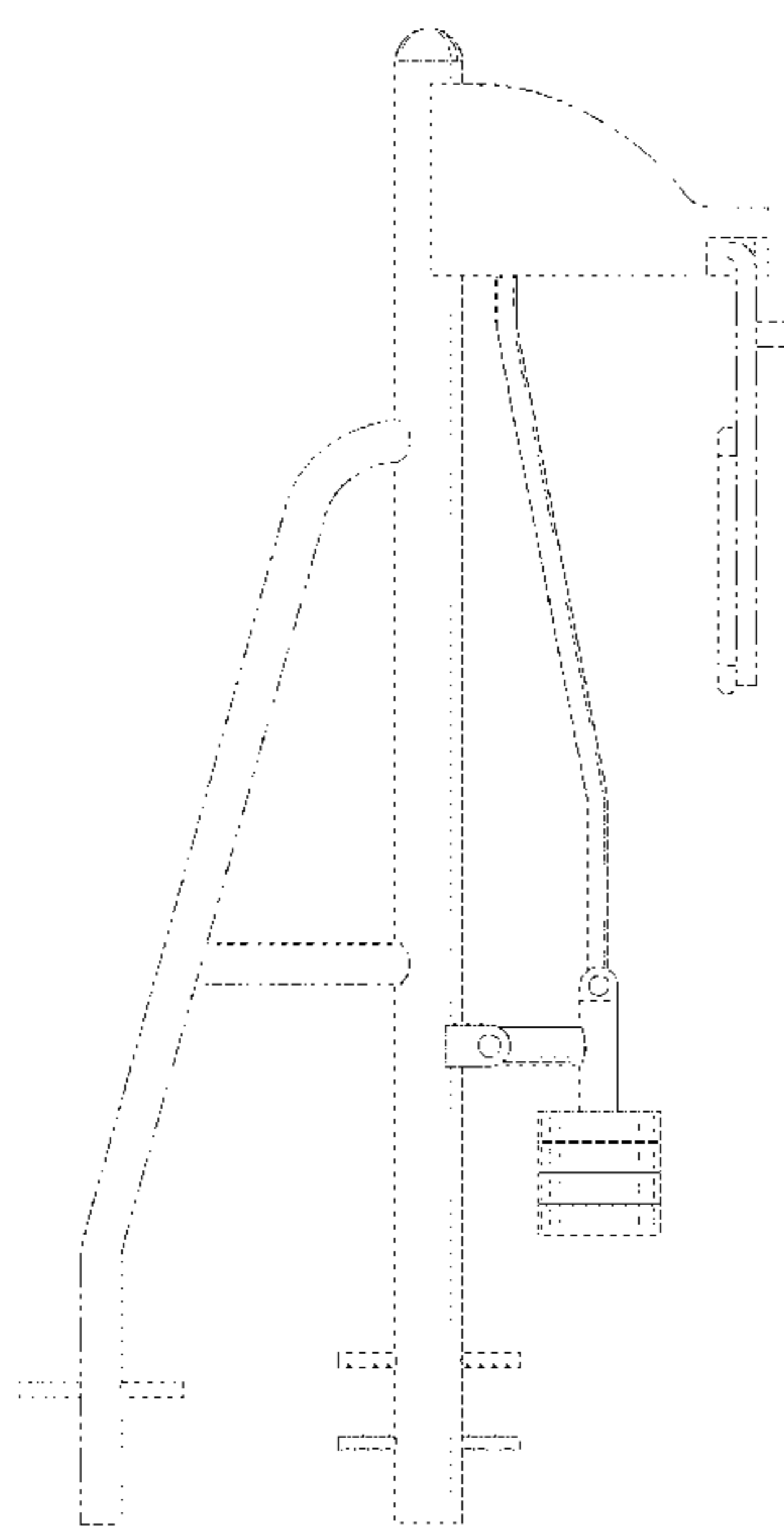
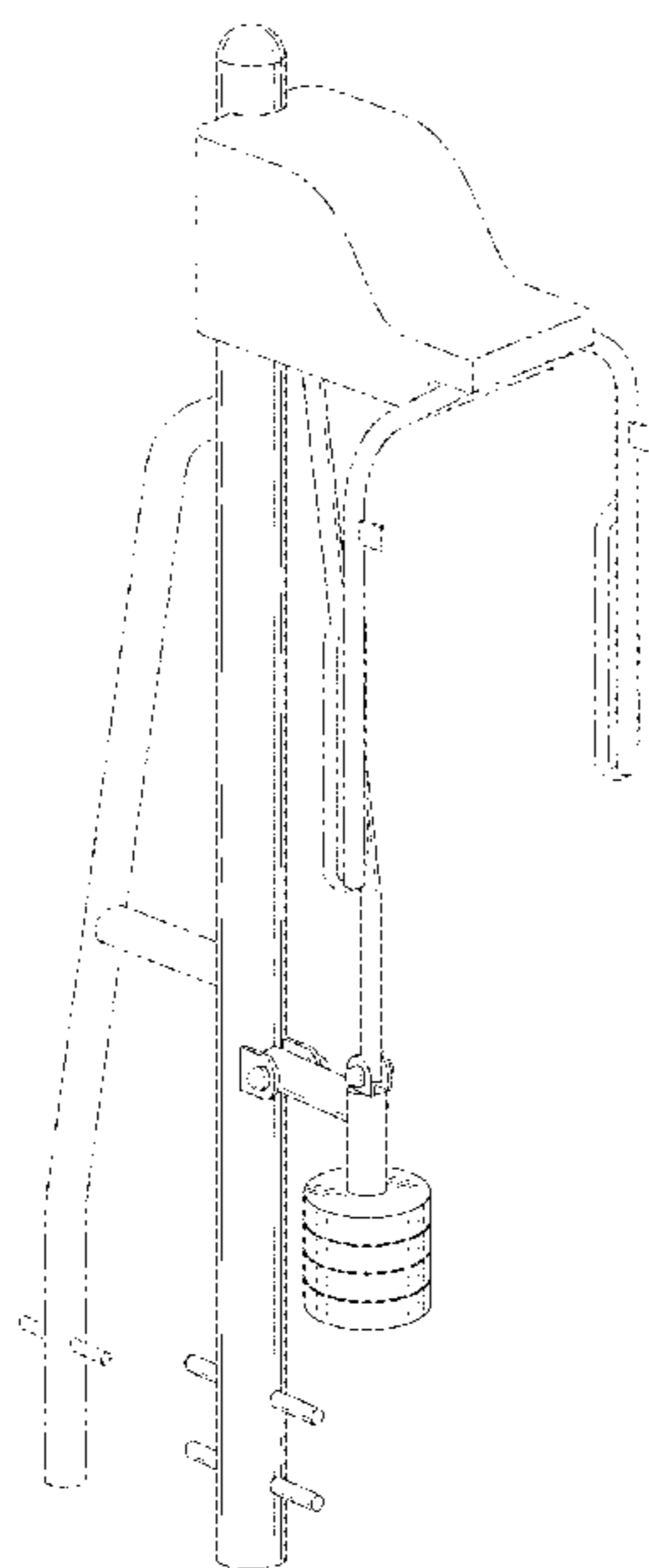
(57) **CLAIM**

The ornamental design for a “wheelchair accessible fitness equipment,” as shown and described.

DESCRIPTION

FIG. 1 is a perspective view of a wheelchair accessible fitness equipment, showing my new design;
FIG. 2 is a front elevational view thereof;
FIG. 3 is a rear elevational view thereof;
FIG. 4 is a left side elevational view thereof
FIG. 5 is a right side elevational view thereof;
FIG. 6 is a top plan view thereof; and,
FIG. 7 is a bottom plan view thereof.
The broken line showing of wheelchair accessible fitness equipment is for the purpose of illustrating portions of the article that form no part of the claimed design.

1 Claim, 5 Drawing Sheets



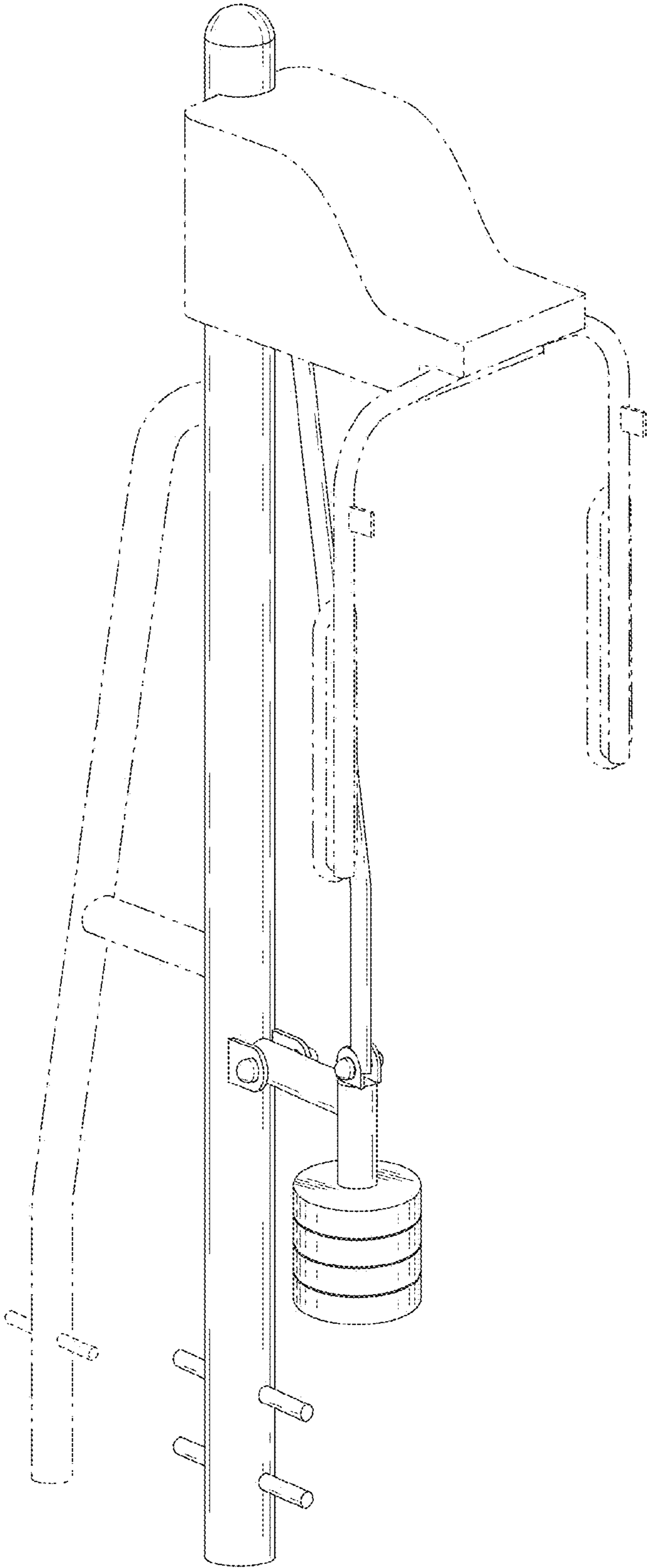


Fig. 1

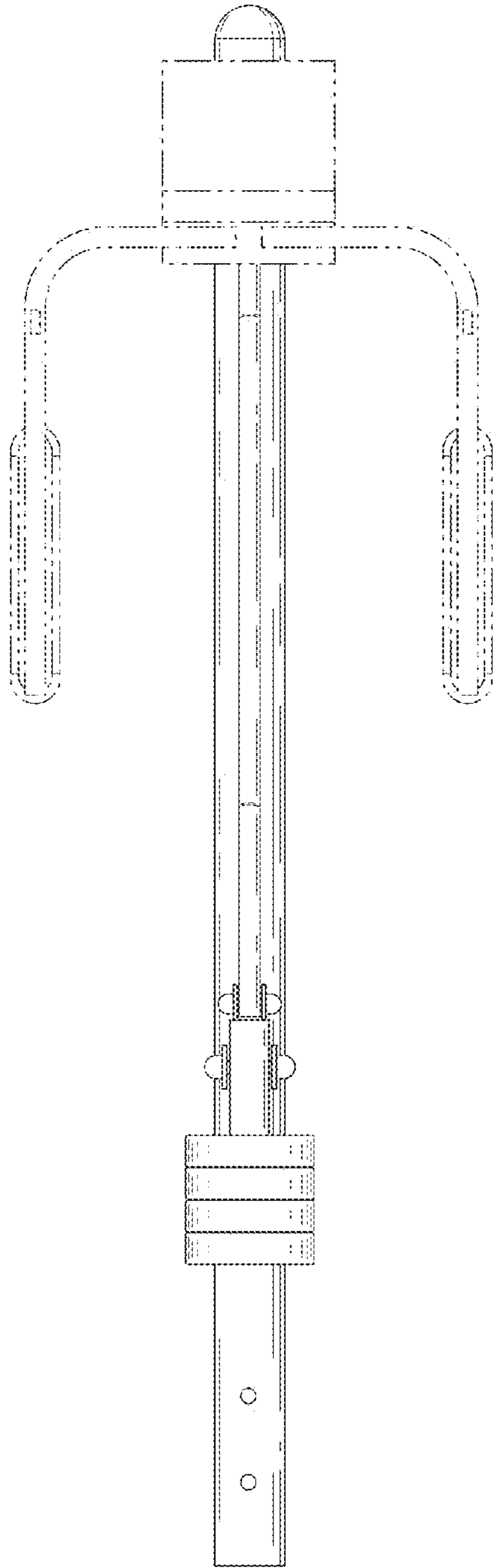


Fig. 2

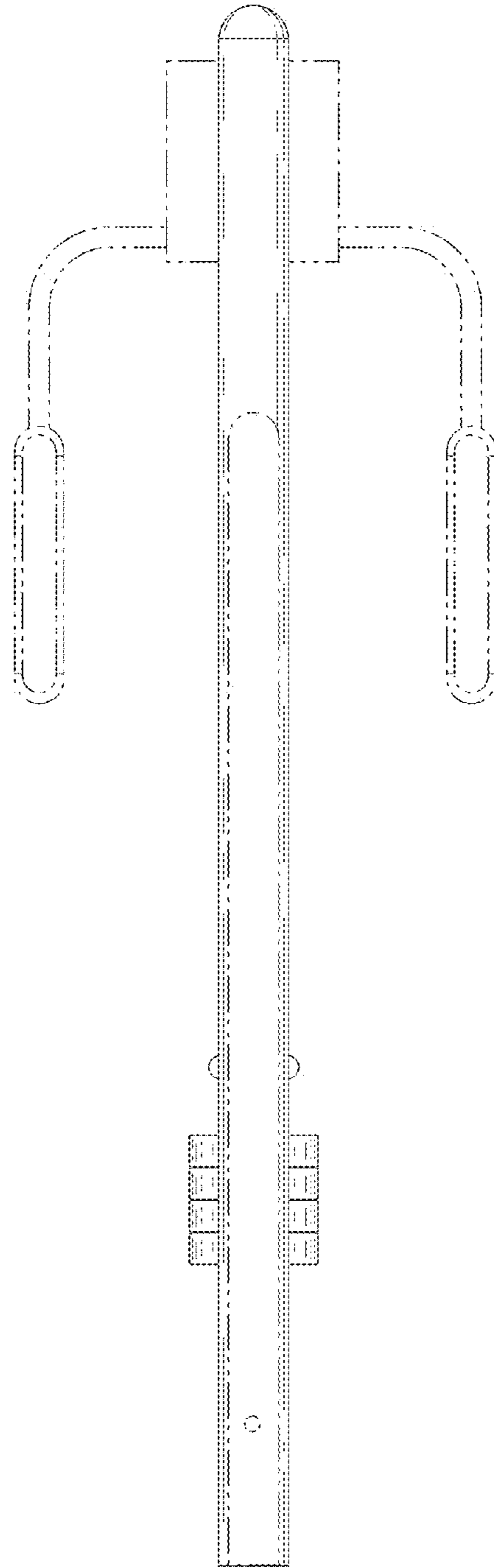


Fig. 3

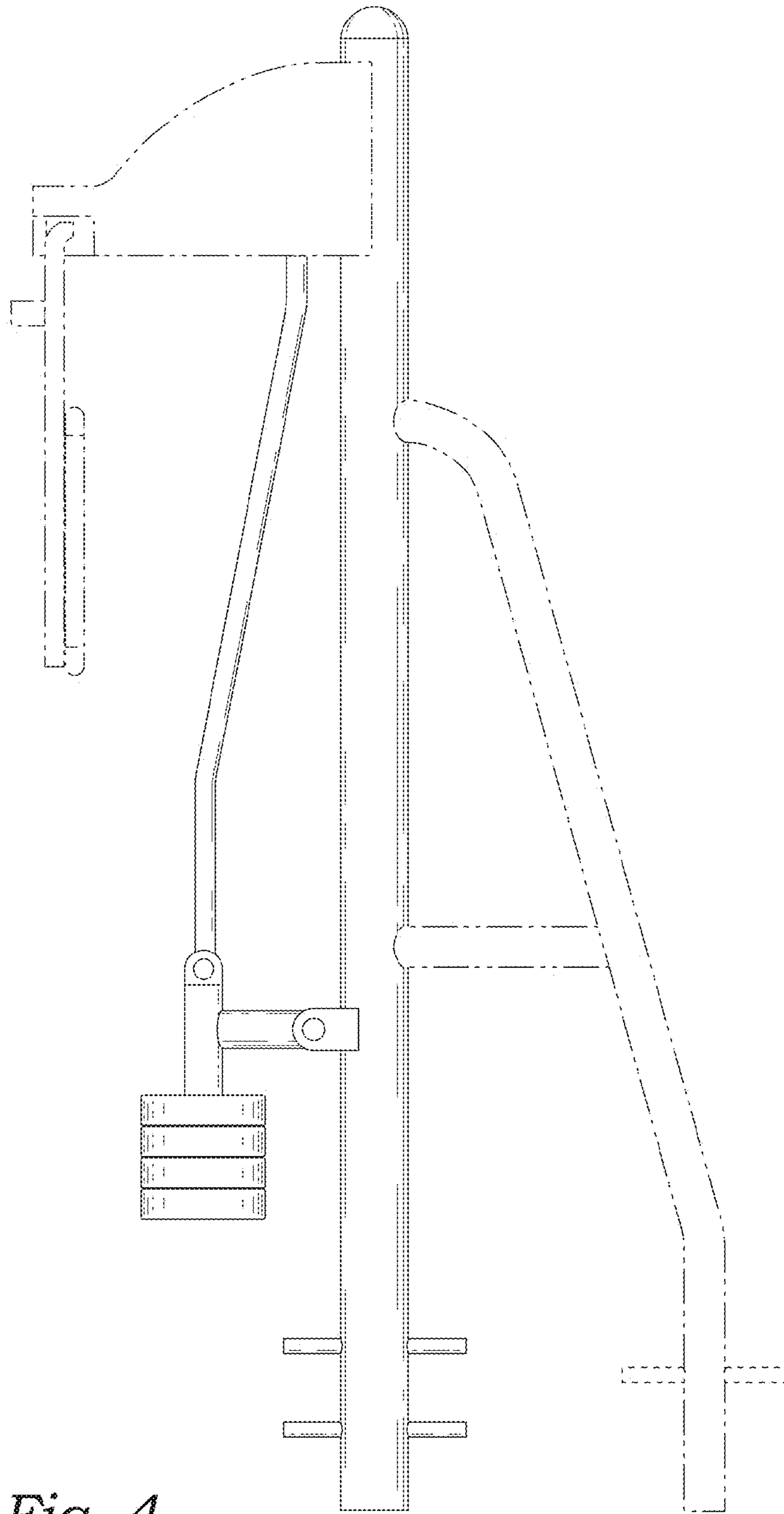


Fig. 4

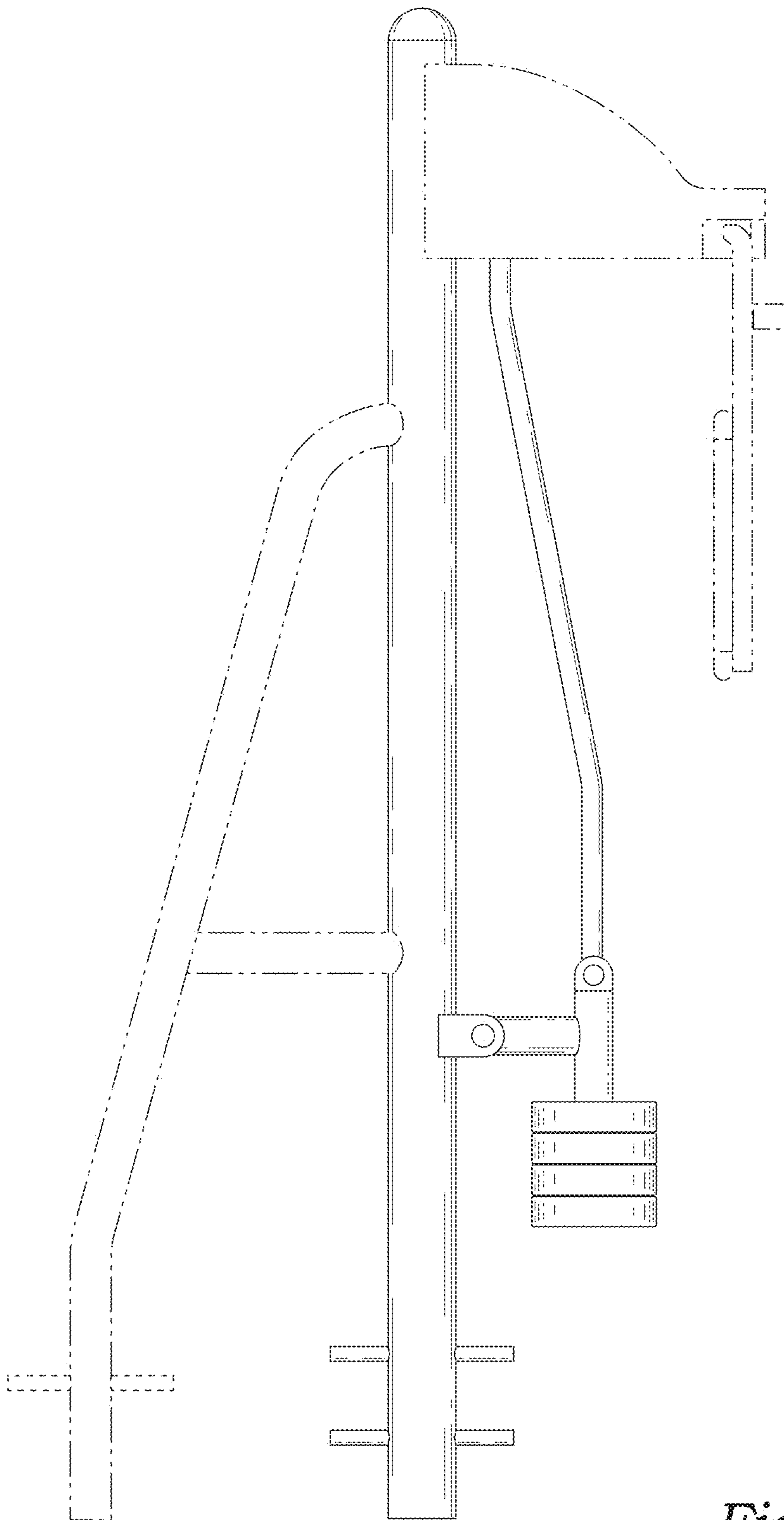


Fig. 5

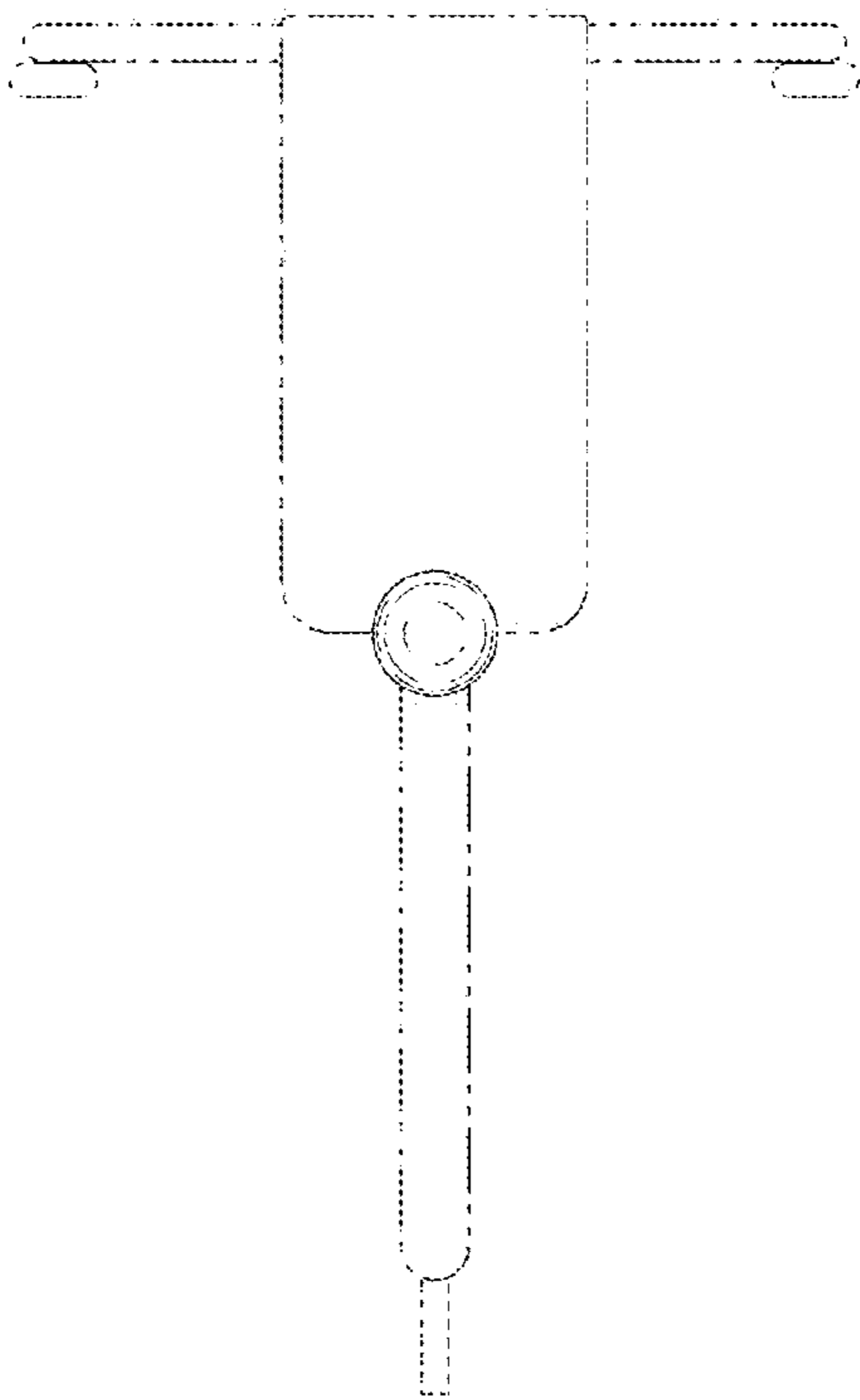


Fig. 6

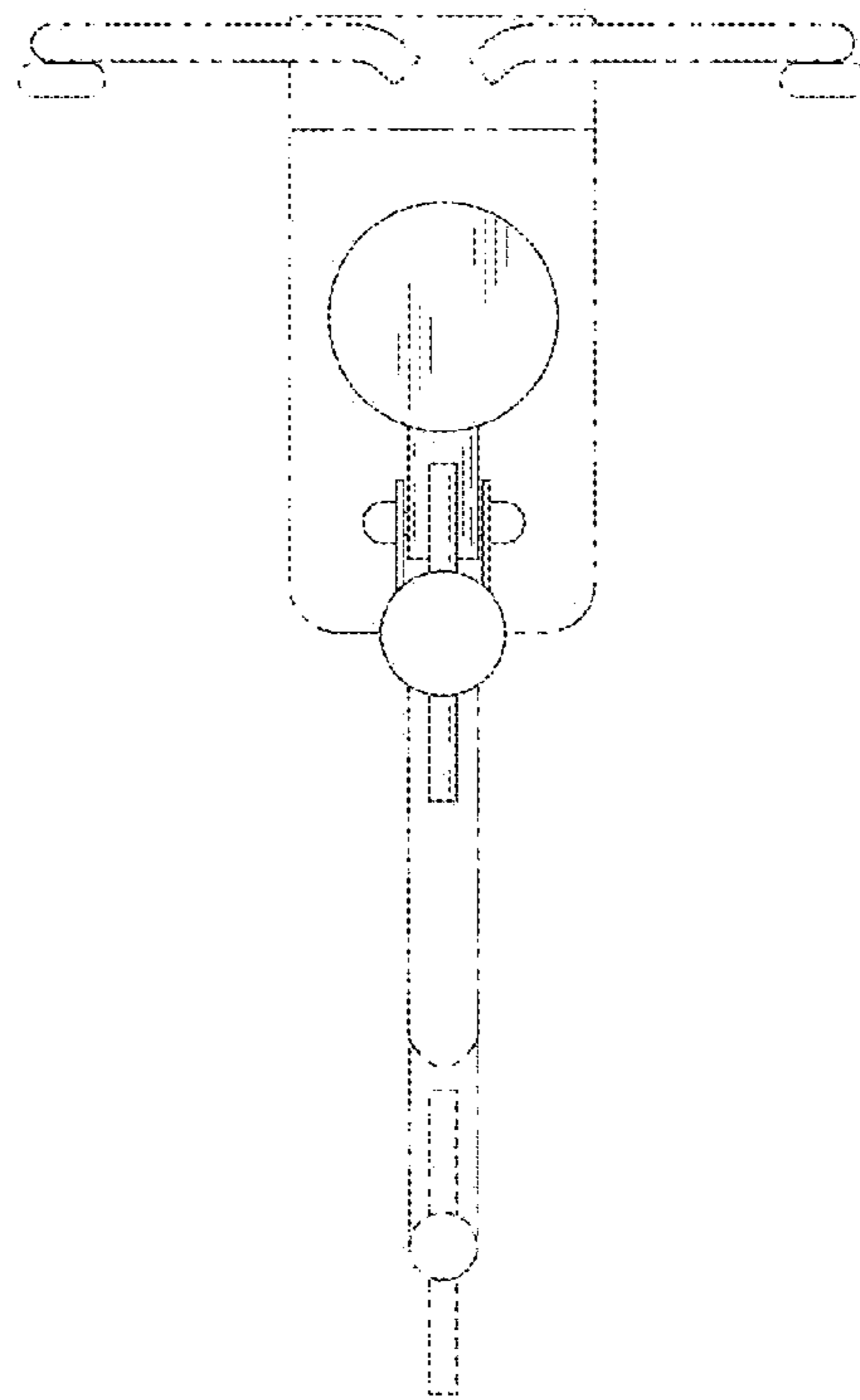


Fig. 7