



US00D723632S

(12) **United States Design Patent**  
**Kanbar et al.**

(10) **Patent No.:** **US D723,632 S**  
(45) **Date of Patent:** **\*\* Mar. 3, 2015**

(54) **DRIVE WHEEL ROTATING BLOCK FOR A TOY CONSTRUCTION SET**

(71) Applicants: **Maurice S. Kanbar**, San Francisco, CA (US); **Albert Kolvites**, San Mateo, CA (US)

(72) Inventors: **Maurice S. Kanbar**, San Francisco, CA (US); **Albert Kolvites**, San Mateo, CA (US)

(73) Assignee: **Maurice S. Kanbar Revocable Trust**, San Francisco, CA (US)

(\*\*) Term: **14 Years**

(21) Appl. No.: **29/488,486**

(22) Filed: **Apr. 18, 2014**

**Related U.S. Application Data**

(63) Continuation-in-part of application No. 14/180,211, filed on Feb. 13, 2014.

(51) **LOC (10) Cl.** ..... **21-01**

(52) **U.S. Cl.**  
USPC ..... **D21/488**

(58) **Field of Classification Search**  
CPC ..... A63H 33/00; A63H 33/04; A63H 33/06; A63H 33/08; A63H 33/10; A63H 33/12; A63H 33/14; A63F 9/08; A63F 9/12; G09B 1/36  
USPC ..... D21/386, 460, 484, 485-505; 446/69, 446/85, 102-128; 434/208, 259, 403; 273/153, 156, 160; 428/174

See application file for complete search history.

(56) **References Cited**

U.S. PATENT DOCUMENTS

|           |      |         |                 |         |
|-----------|------|---------|-----------------|---------|
| 1,868,496 | A *  | 7/1932  | Gilbert         | 446/113 |
| 4,690,656 | A *  | 9/1987  | Friedman et al. | 446/95  |
| 5,194,031 | A *  | 3/1993  | Sahler          | 446/103 |
| D349,736  | S *  | 8/1994  | Hatting         | D21/561 |
| D364,199  | S *  | 11/1995 | Schmidt et al.  | D21/488 |
| D364,899  | S *  | 12/1995 | Molenaar et al. | D21/460 |
| D366,073  | S *  | 1/1996  | Schmidt et al.  | D21/488 |
| D388,475  | S *  | 12/1997 | Glickman        | D21/488 |
| 6,315,628 | B1 * | 11/2001 | Quercetti       | 446/128 |
| 6,412,362 | B1 * | 7/2002  | Leung           | 446/118 |
| 6,561,866 | B1 * | 5/2003  | Lee             | 446/90  |
| D538,346  | S *  | 3/2007  | Rowe            | D19/59  |
| D665,858  | S *  | 8/2012  | Horikoshi       | D21/460 |
| D689,955  | S *  | 9/2013  | Jensen          | D21/488 |
| D707,756  | S *  | 6/2014  | Jensen          | D21/488 |

\* cited by examiner

*Primary Examiner* — Cynthia M Chin

(74) *Attorney, Agent, or Firm* — Litts Law Firm

(57) **CLAIM**

The ornamental design for a drive wheel rotating block for a toy construction set, as shown and described.

**DESCRIPTION**

FIG. 1 is an upper front perspective view of a drive wheel rotating block for a toy construction set showing our new design;

FIG. 2 is a lower front perspective view thereof;

FIG. 3 is a top plan view thereof;

FIG. 4 is a bottom plan view thereof;

FIG. 5 is a front elevation view thereof;

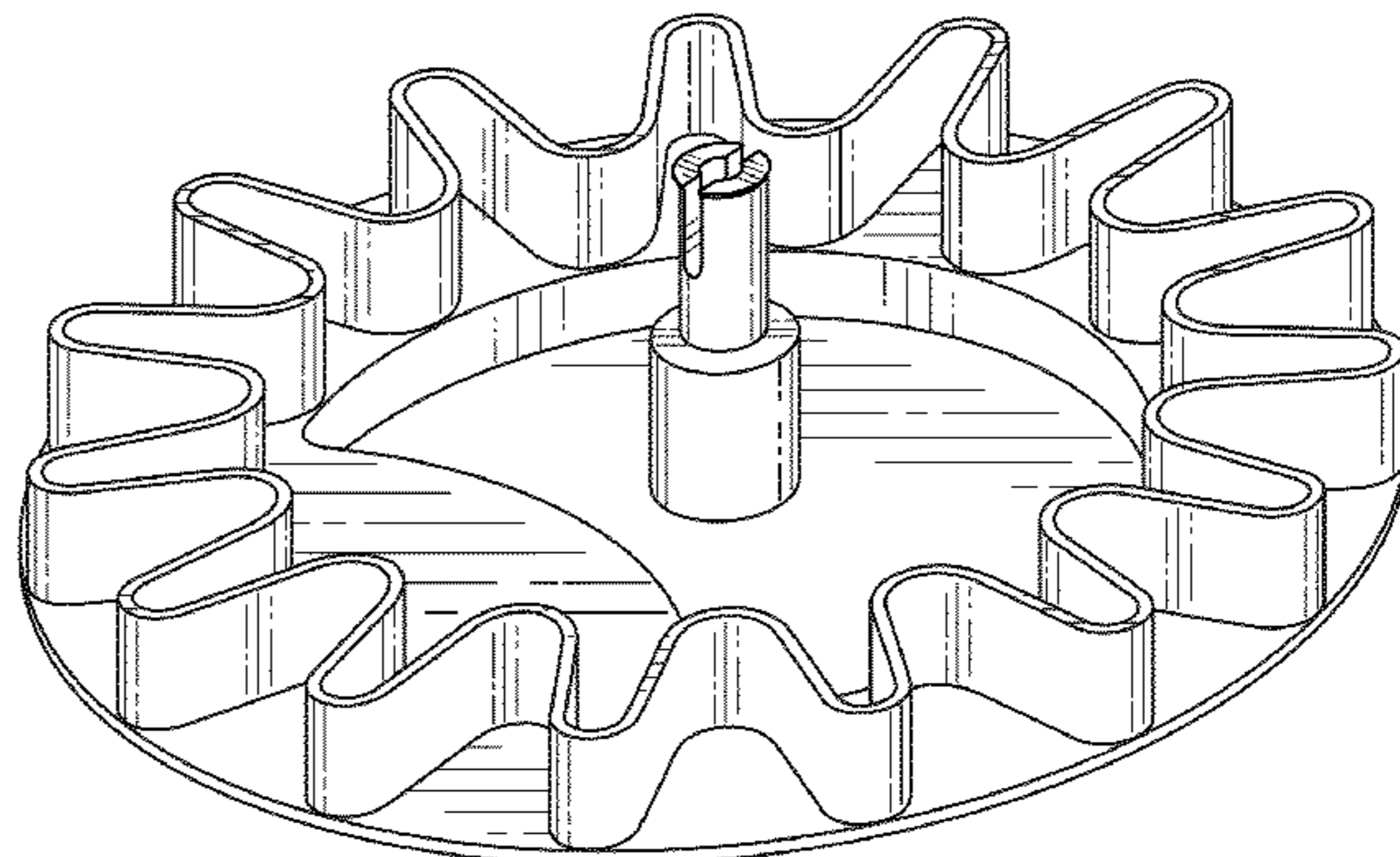
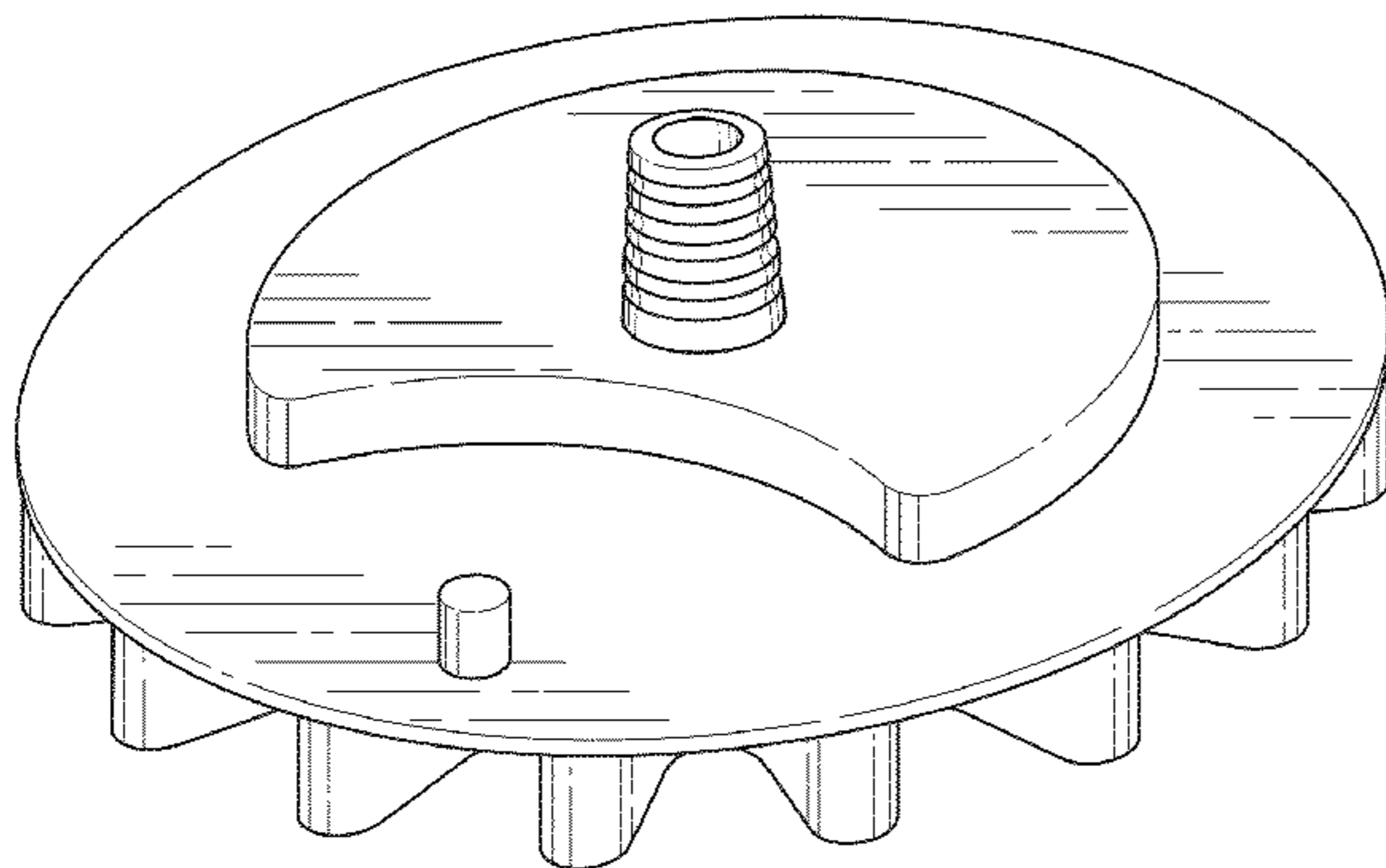
FIG. 6 is a rear elevation view thereof;

FIG. 7 is a right side elevation view thereof; and,

FIG. 8 is a left side elevation view thereof.

The broken lines in FIGS. 3 & 4 represent portions of the article that form no part of the claim.

**1 Claim, 6 Drawing Sheets**



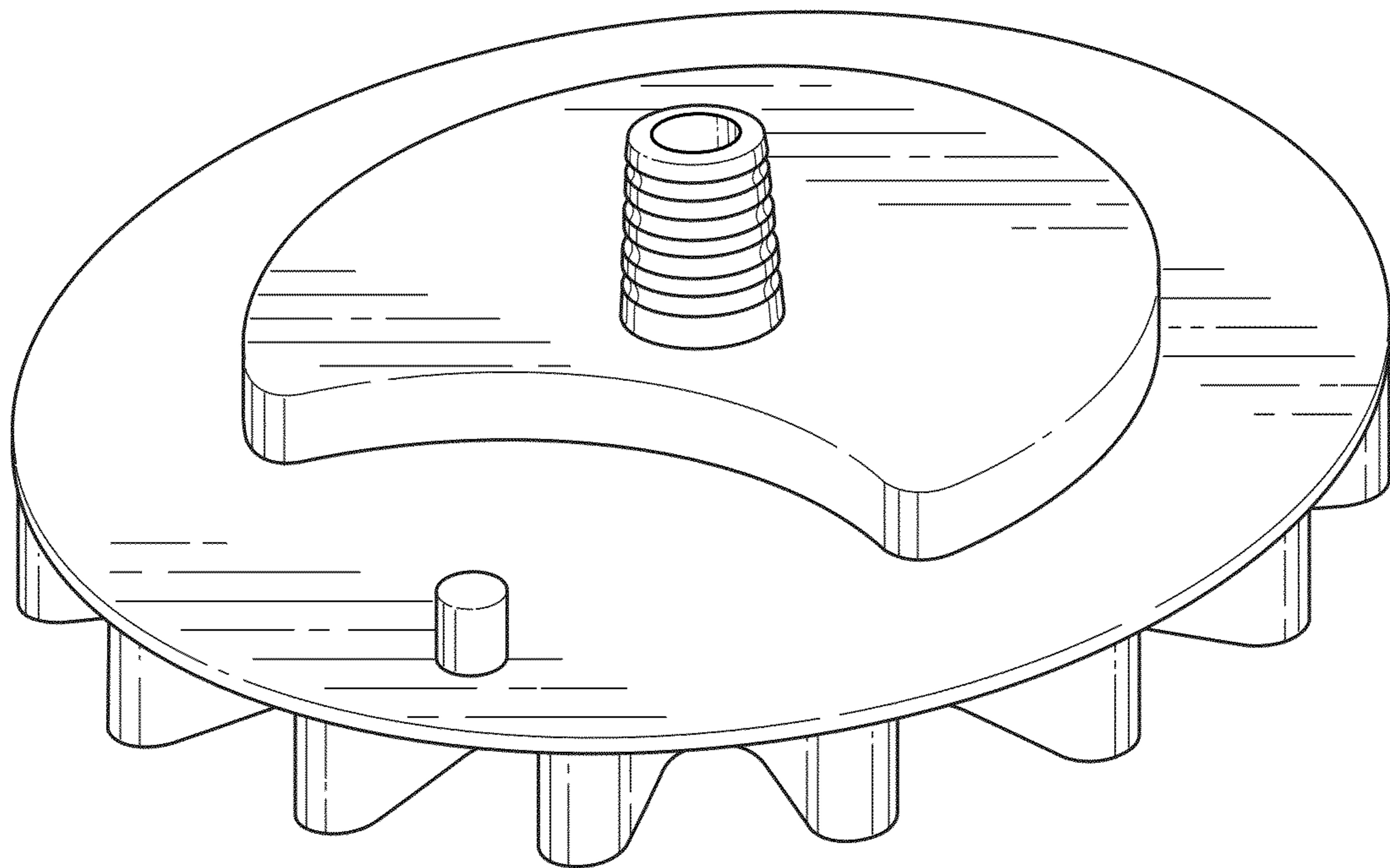


FIG. 1

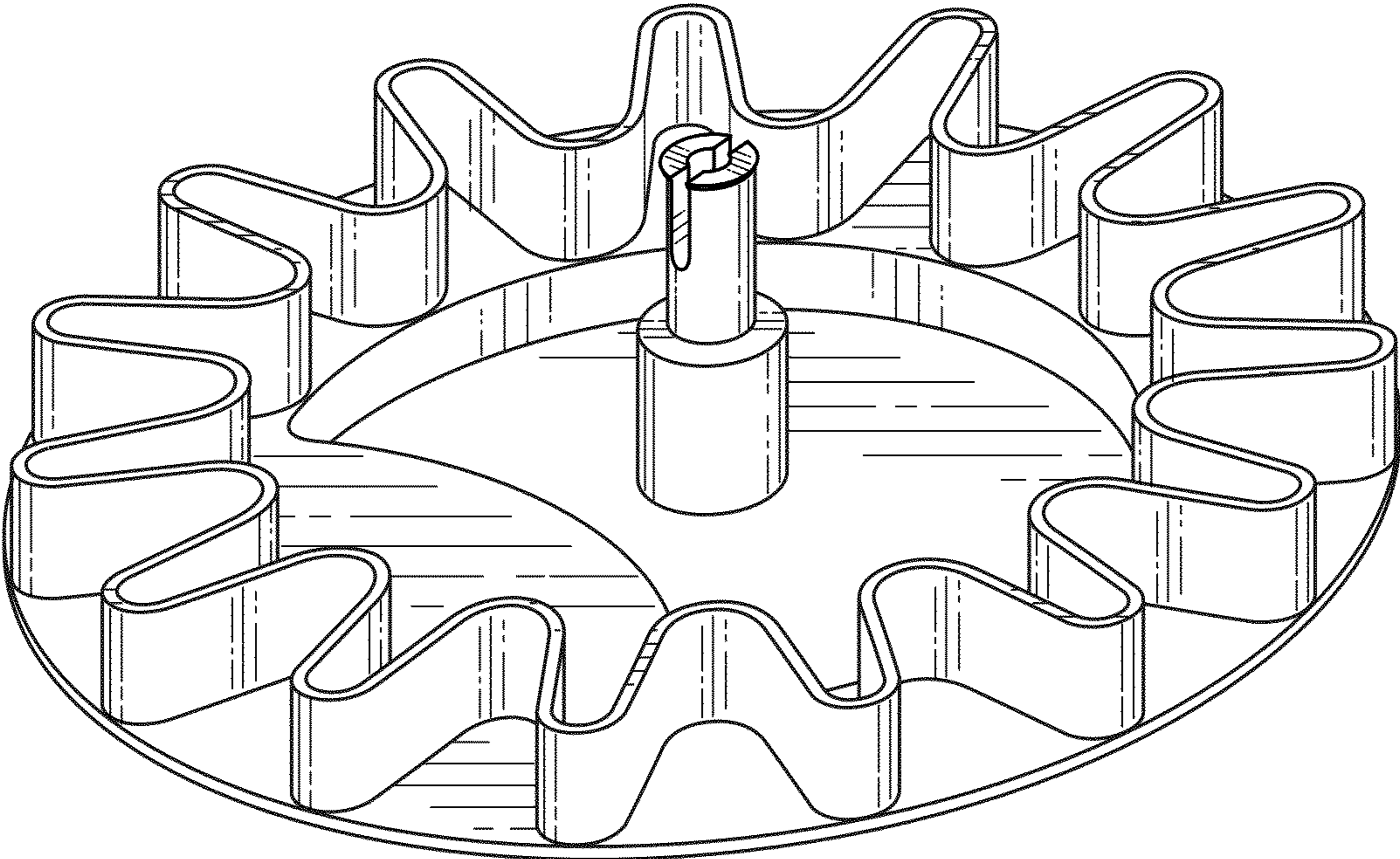


FIG. 2

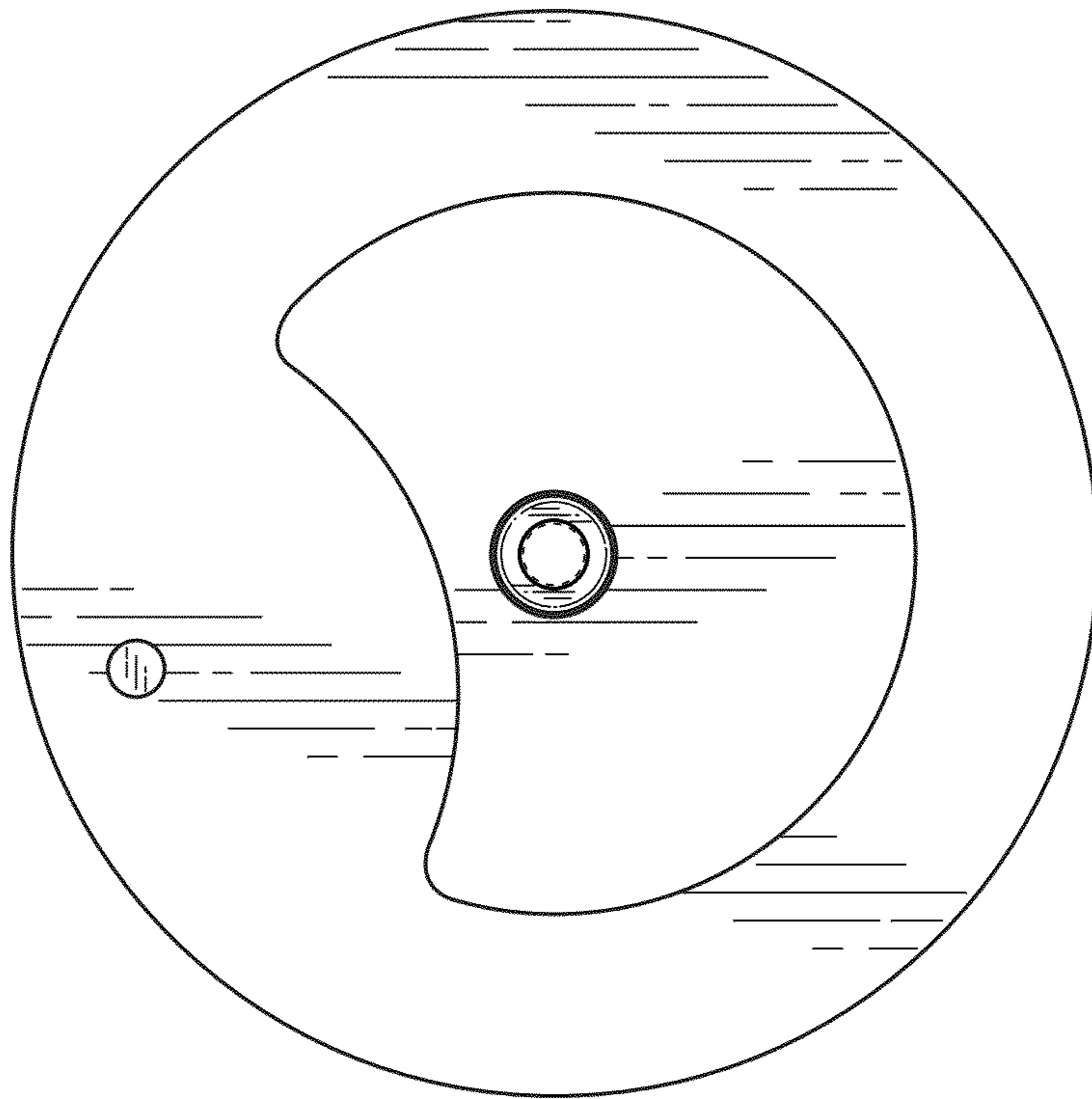


FIG. 3



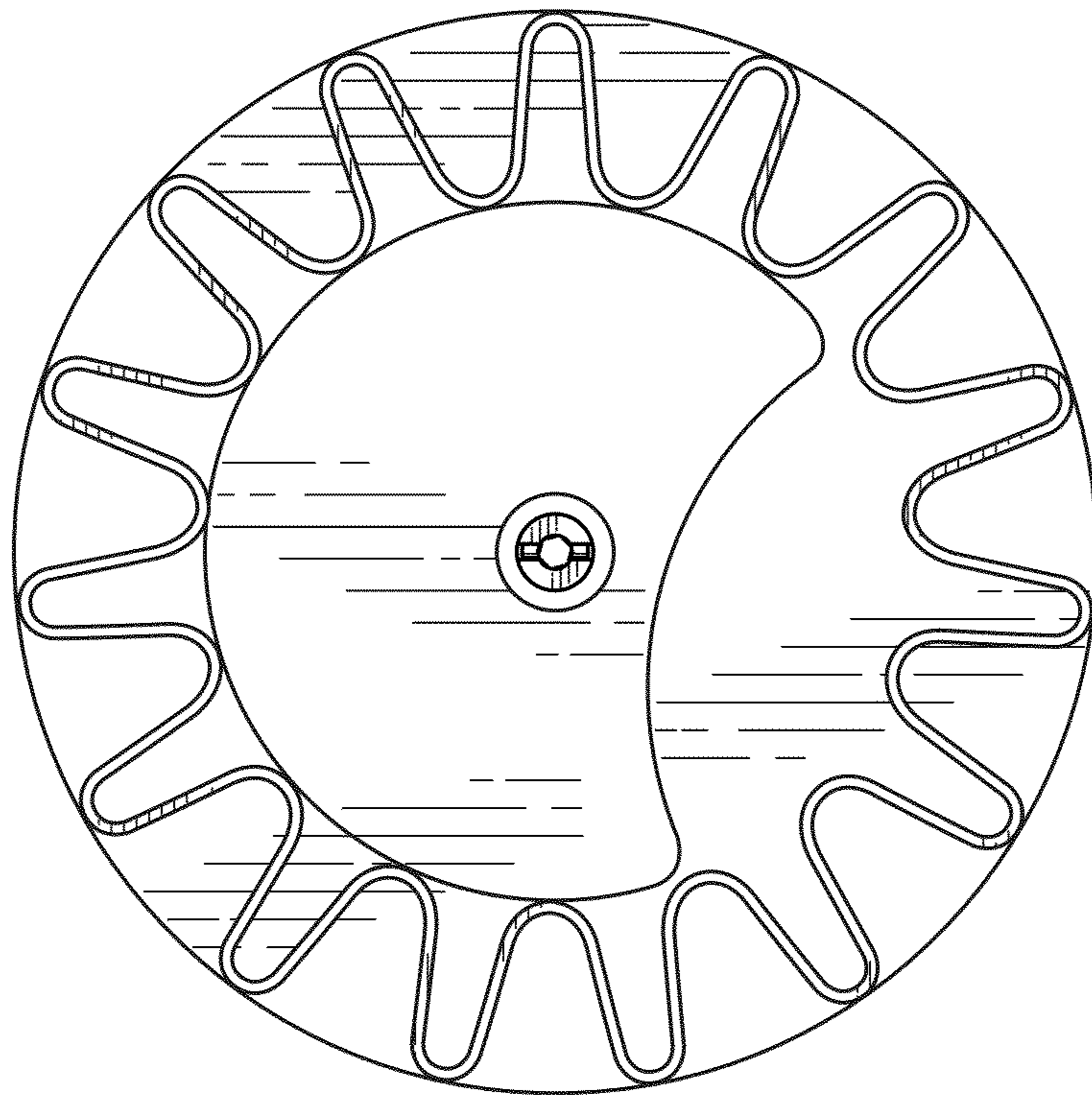


FIG. 4

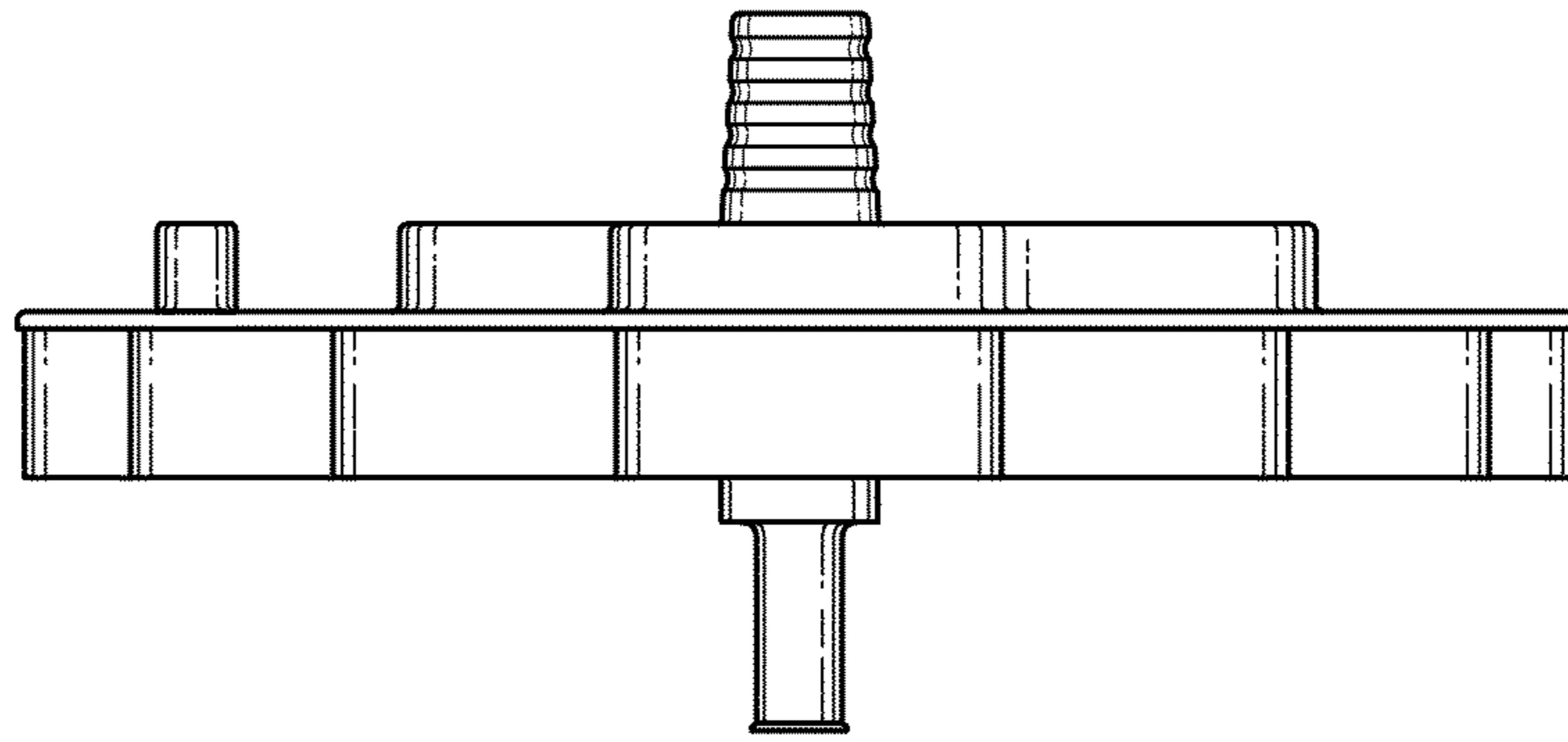


FIG. 5

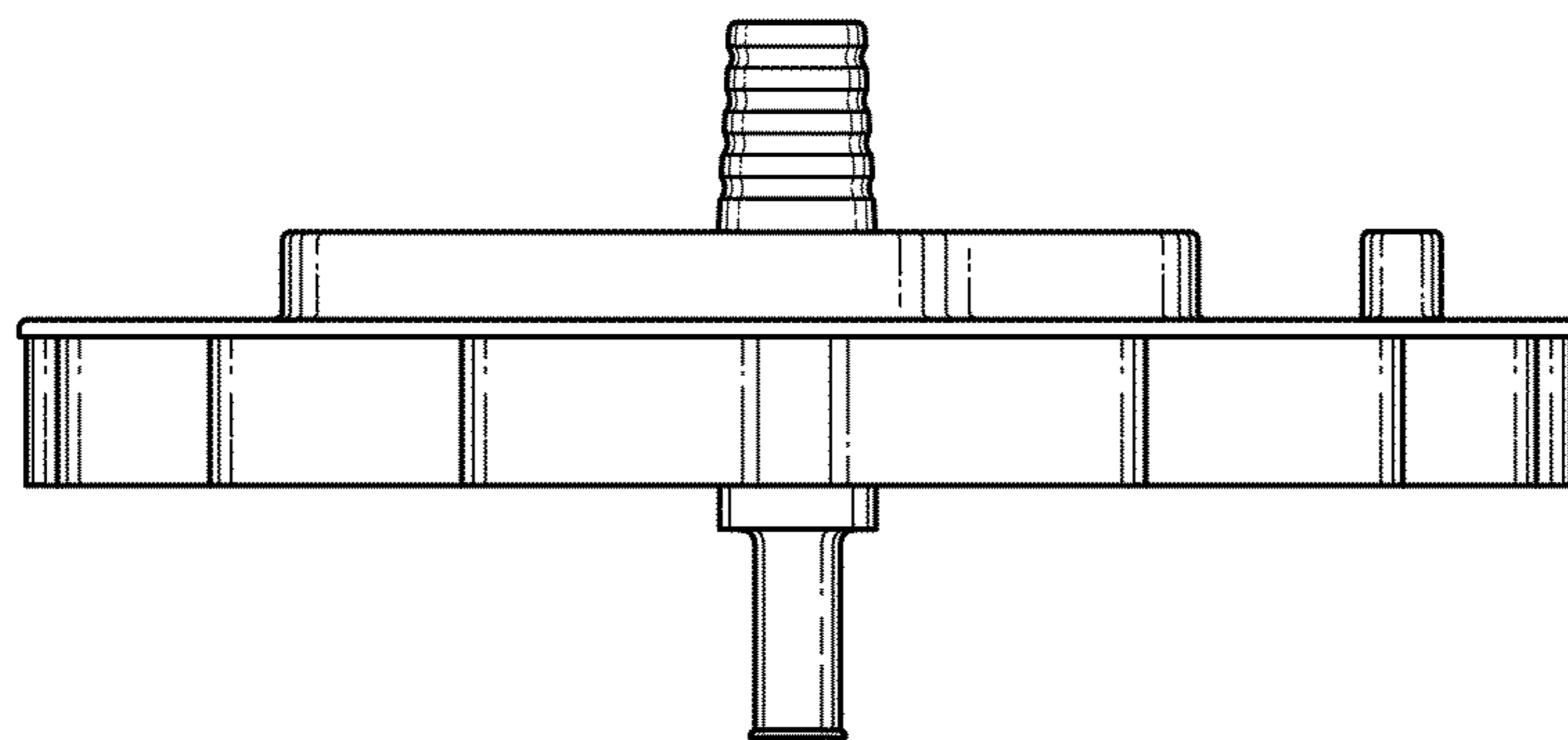


FIG. 6

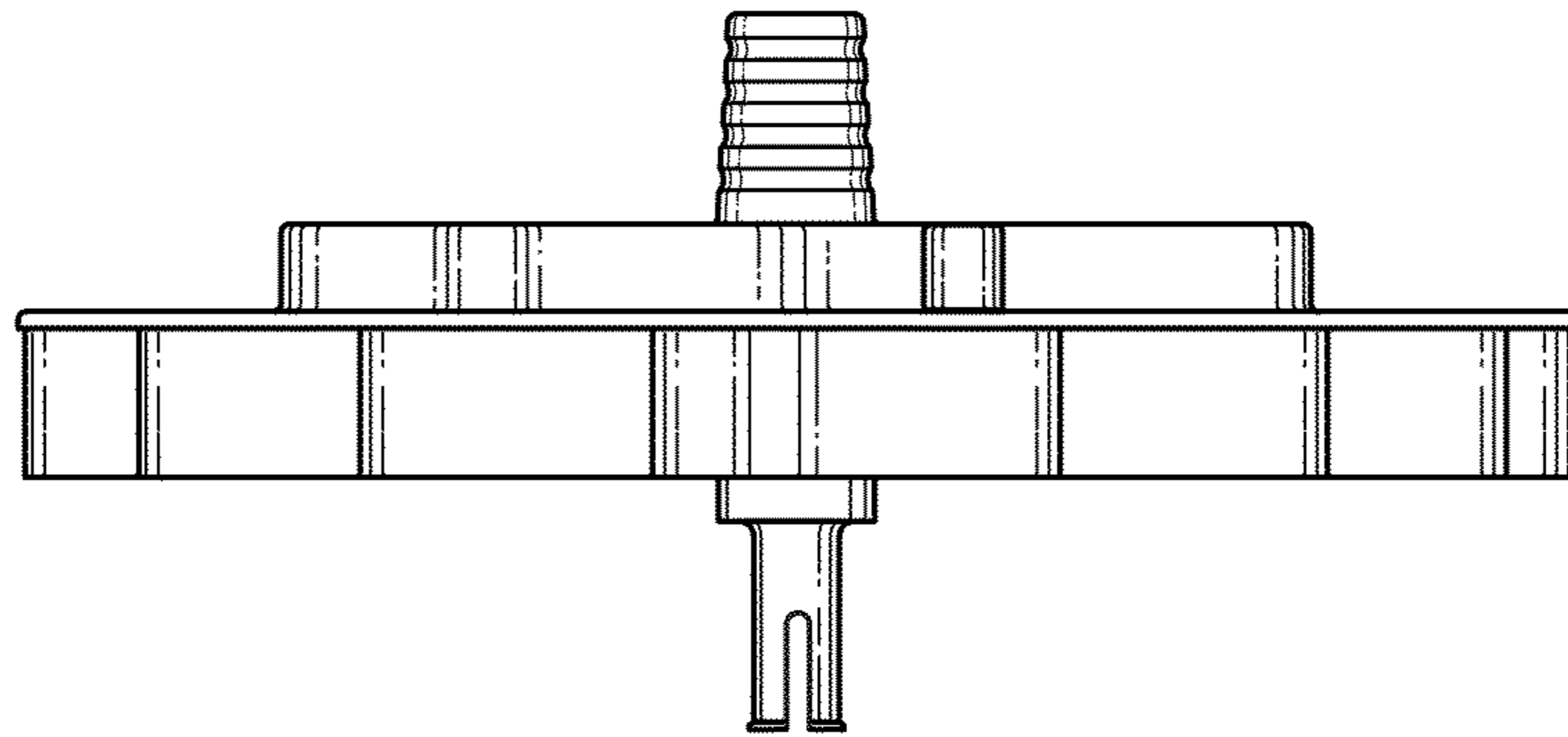


FIG. 7

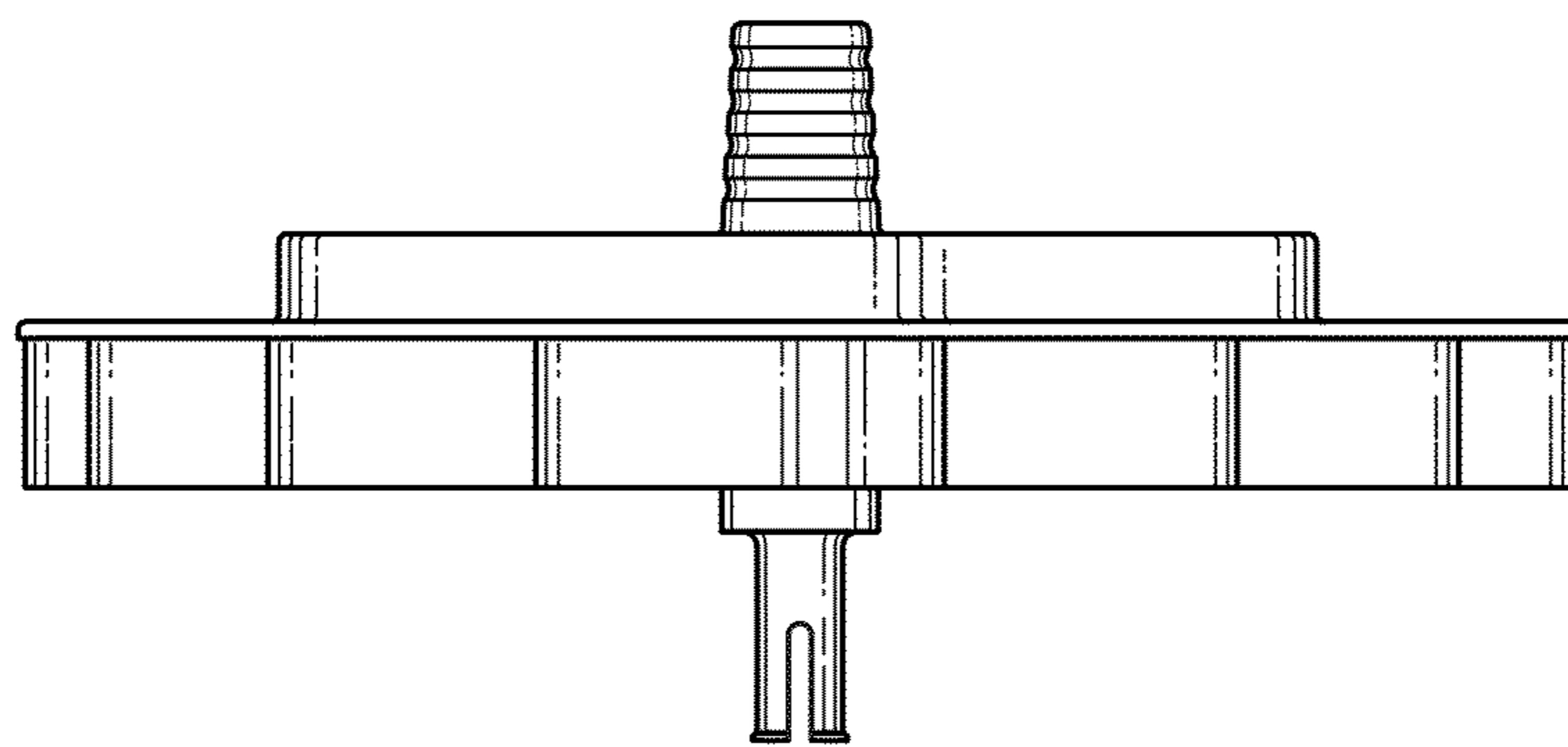


FIG. 8