



US00D723631S

(12) **United States Design Patent**
Kanbar et al.

(10) **Patent No.:** **US D723,631 S**
(45) **Date of Patent:** **** Mar. 3, 2015**

(54) **TOY SUPPORT ROTATING BLOCK FOR A TOY CONSTRUCTION SET**

(71) Applicants: **Maurice S. Kanbar**, San Francisco, CA (US); **Albert Kolvites**, San Mateo, CA (US)

(72) Inventors: **Maurice S. Kanbar**, San Francisco, CA (US); **Albert Kolvites**, San Mateo, CA (US)

(73) Assignee: **Maurice S. Kanbar Revocable Trust**, San Francisco, CA (US)

(**) Term: **14 Years**

(21) Appl. No.: **29/488,485**

(22) Filed: **Apr. 18, 2014**

Related U.S. Application Data

(63) Continuation-in-part of application No. 14/180,211, filed on Feb. 13, 2014.

(51) **LOC (10) Cl.** **21-01**

(52) **U.S. Cl.**
USPC **D21/488**

(58) **Field of Classification Search**
CPC A63H 33/00; A63H 33/04; A63H 33/06; A63H 33/08; A63H 33/10; A63H 33/12; A63H 33/14; A63F 9/08; A63F 9/12; G09B 1/36
USPC D21/386, 460, 484, 485-505; 446/69, 446/85, 102-128; 434/208, 259, 403; 273/153, 156, 160; 428/174

See application file for complete search history.

(56) **References Cited**

U.S. PATENT DOCUMENTS

1,868,496	A *	7/1932	Gilbert	446/113
D188,549	S *	8/1960	Preu et al.	D21/488
4,690,656	A *	9/1987	Friedman et al.	446/95
D301,258	S *	5/1989	Olney	D21/460
D364,899	S *	12/1995	Molenaar et al.	D21/460
D373,605	S *	9/1996	Skov et al.	D21/488
D388,475	S *	12/1997	Glickman	D21/488
D398,337	S *	9/1998	LaPointe	D21/484
6,315,628	B1 *	11/2001	Quercetti	446/128
6,561,866	B1 *	5/2003	Lee	446/90
D538,346	S *	3/2007	Rowe	D19/59
D665,858	S *	8/2012	Horikoshi	D21/460
D685,035	S *	6/2013	Kanbar	D21/460
D689,955	S *	9/2013	Jensen	D21/488
D707,756	S *	6/2014	Jensen	D21/488

* cited by examiner

Primary Examiner — Cynthia M Chin

(74) *Attorney, Agent, or Firm* — Litts Law Firm

(57) **CLAIM**

The ornamental design for a toy support rotating block for a toy construction set, as shown and described.

DESCRIPTION

FIG. 1 is an upper front perspective view of a toy support rotating block for a toy construction set showing our new design;

FIG. 2 is a lower front perspective view thereof;

FIG. 3 is a top plan view thereof;

FIG. 4 is a bottom plan view thereof;

FIG. 5 is a front elevation view thereof;

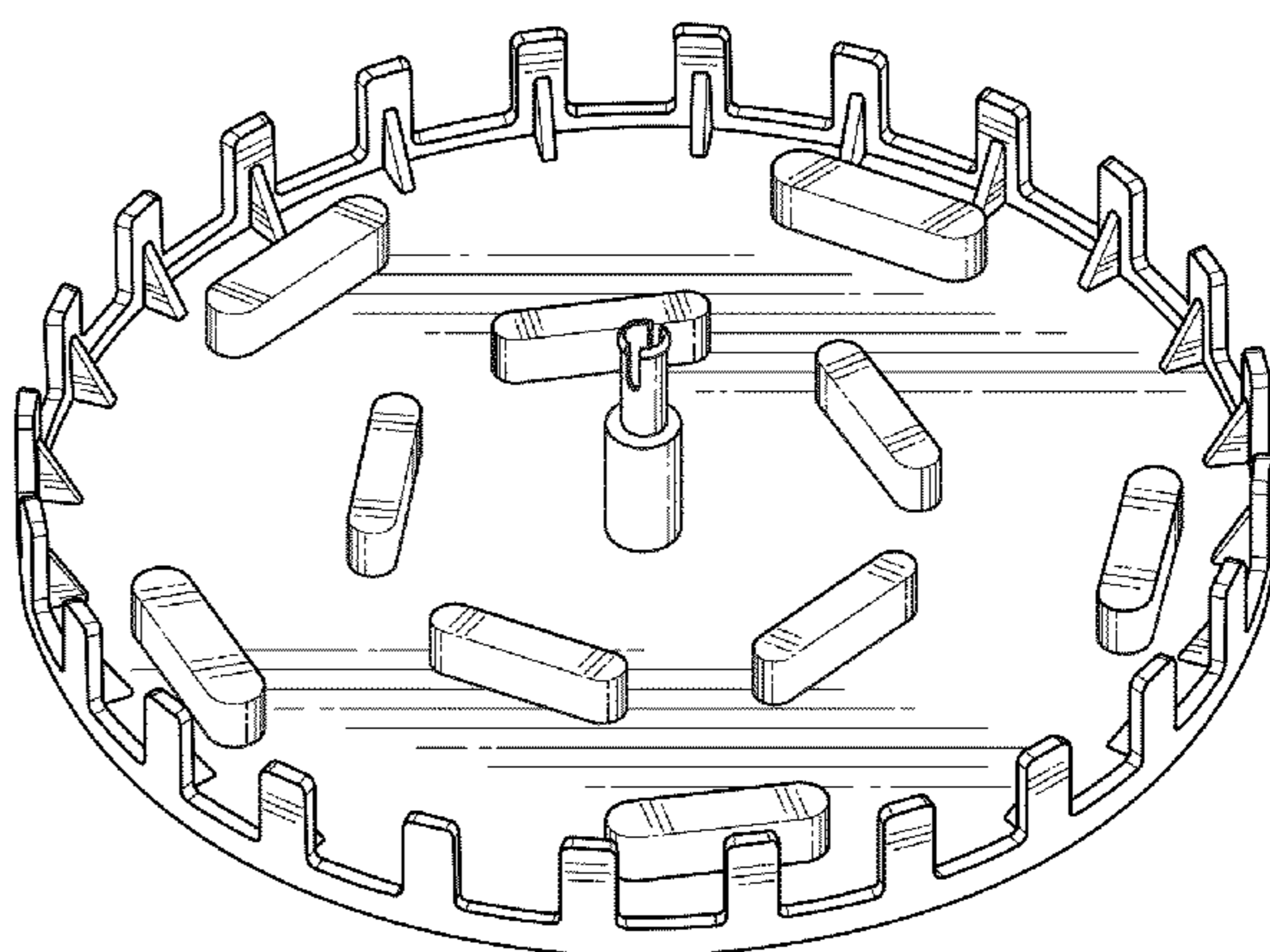
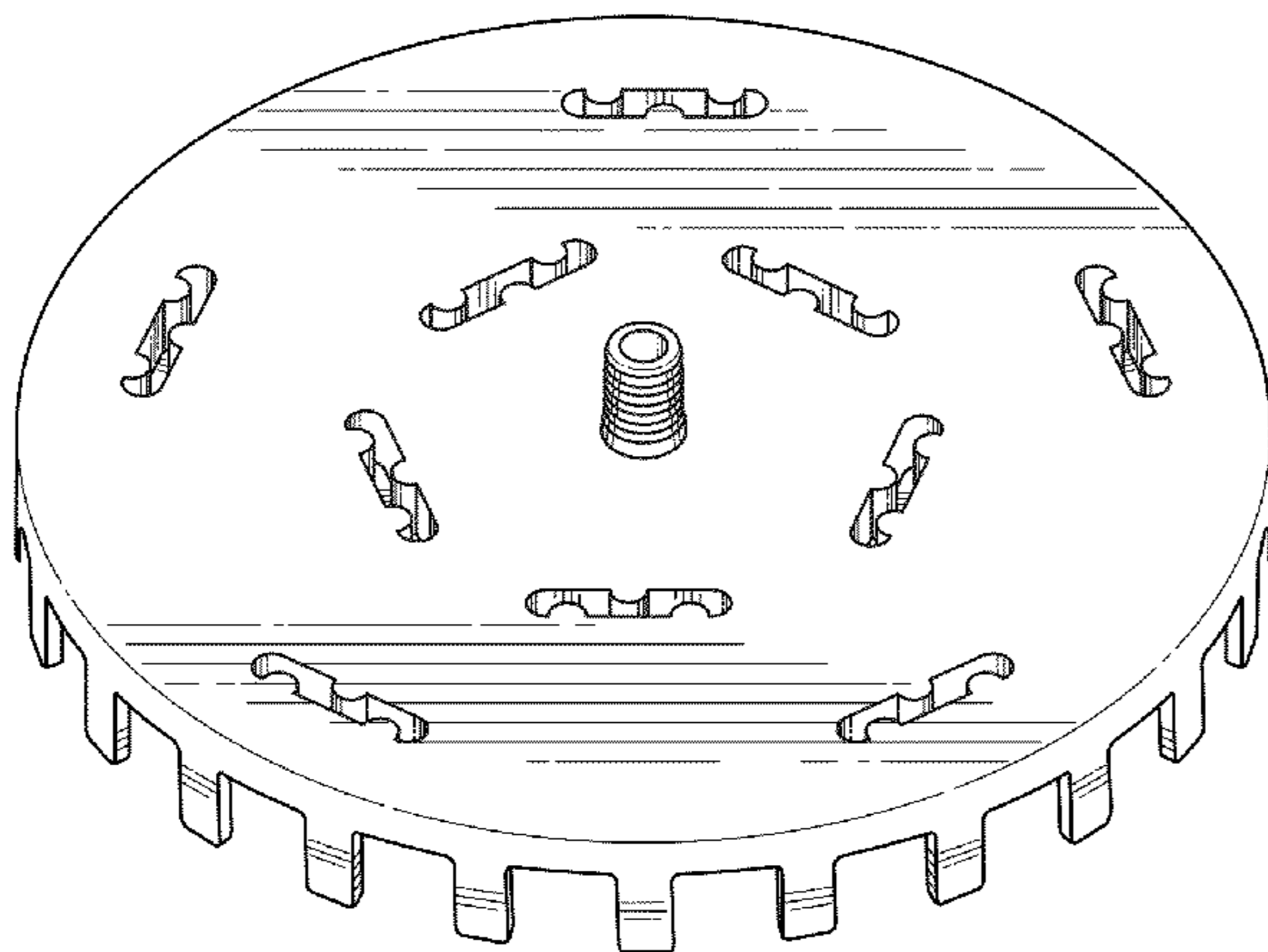
FIG. 6 is a rear elevation view thereof;

FIG. 7 is a left side elevation view thereof; and,

FIG. 8 is a right side elevation view thereof.

The broken lines in FIGS. 3 & 4 represent portions of the article that form no part of the claim.

1 Claim, 6 Drawing Sheets



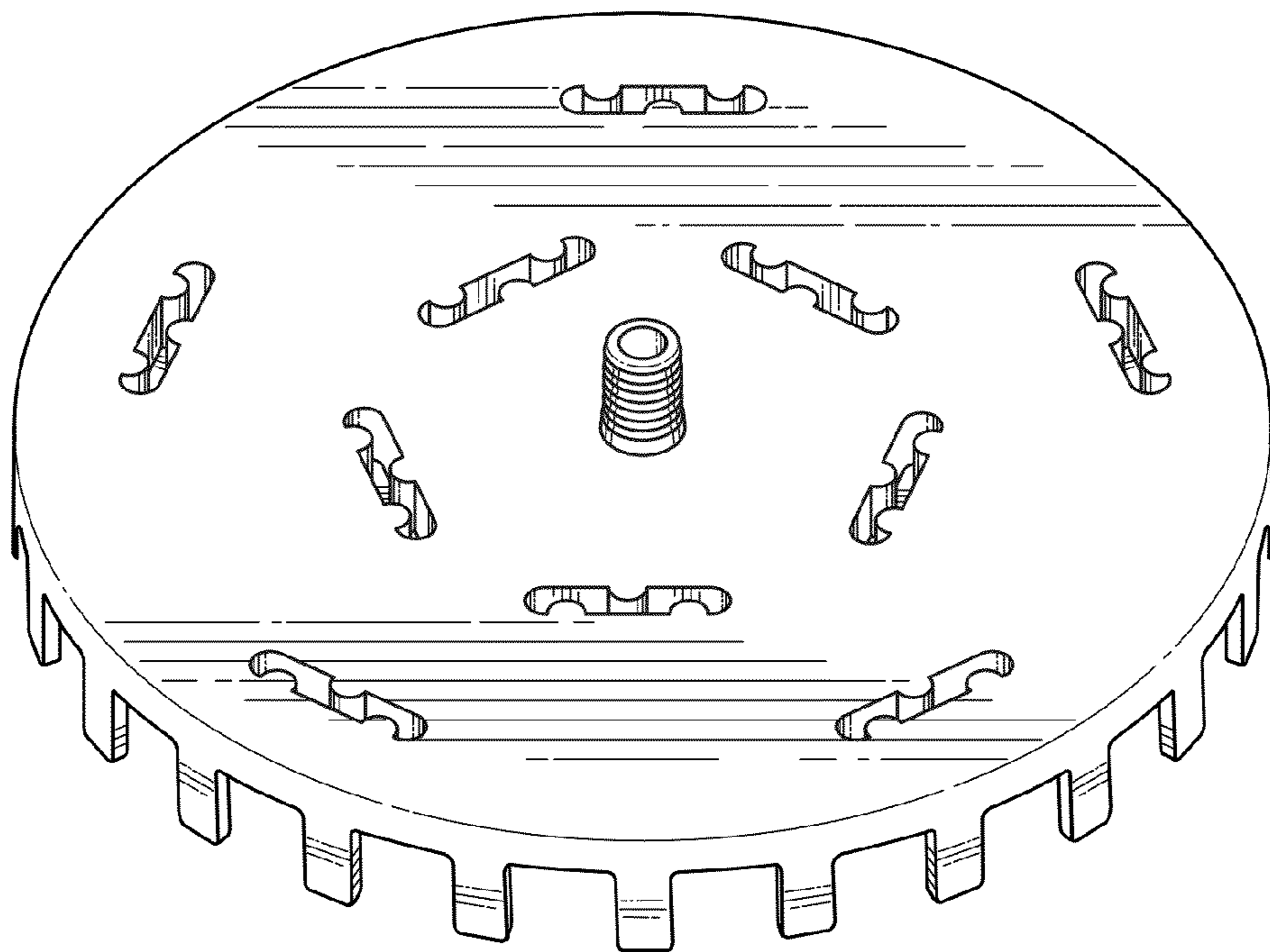


FIG. 1

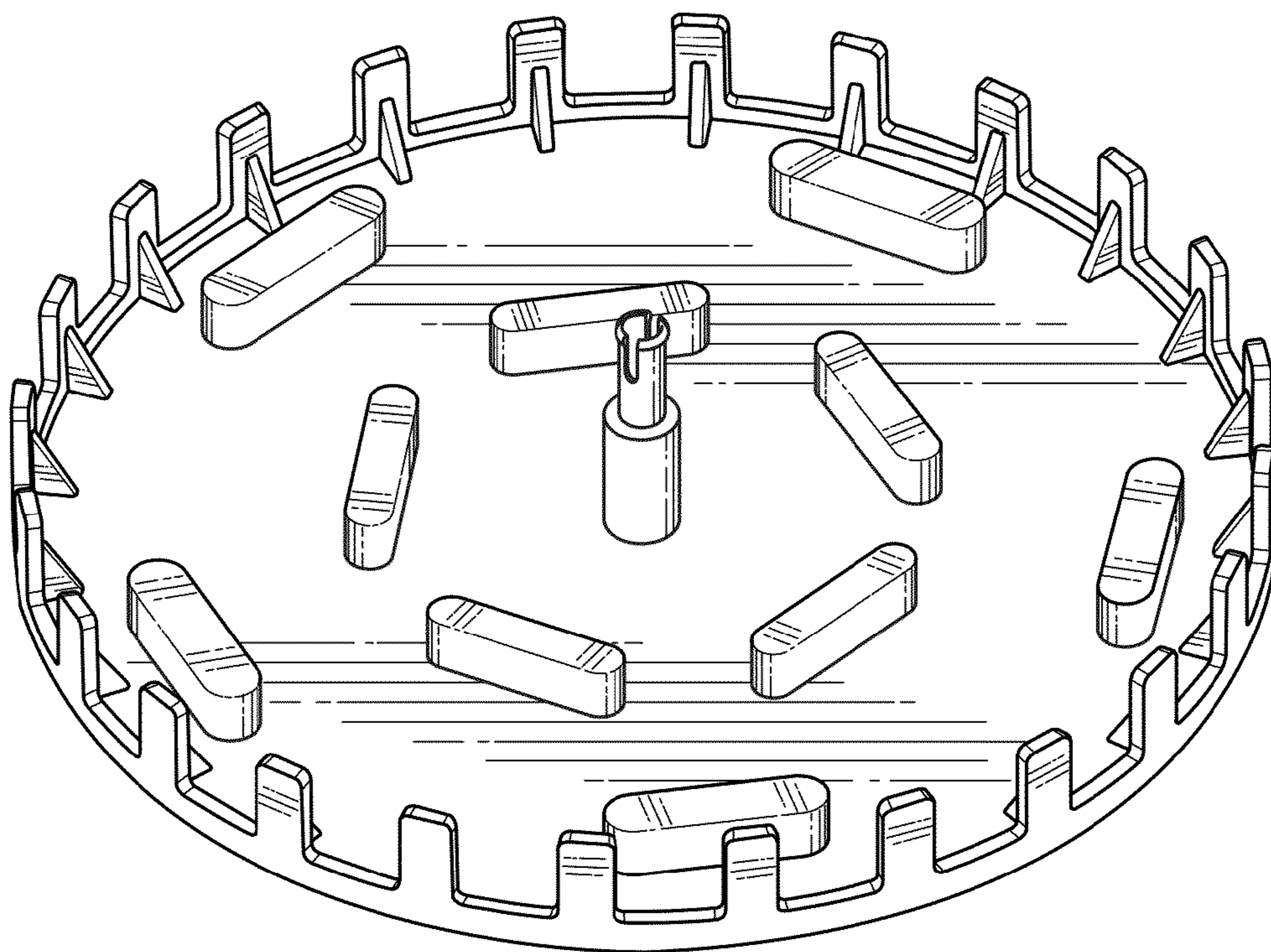


FIG. 2

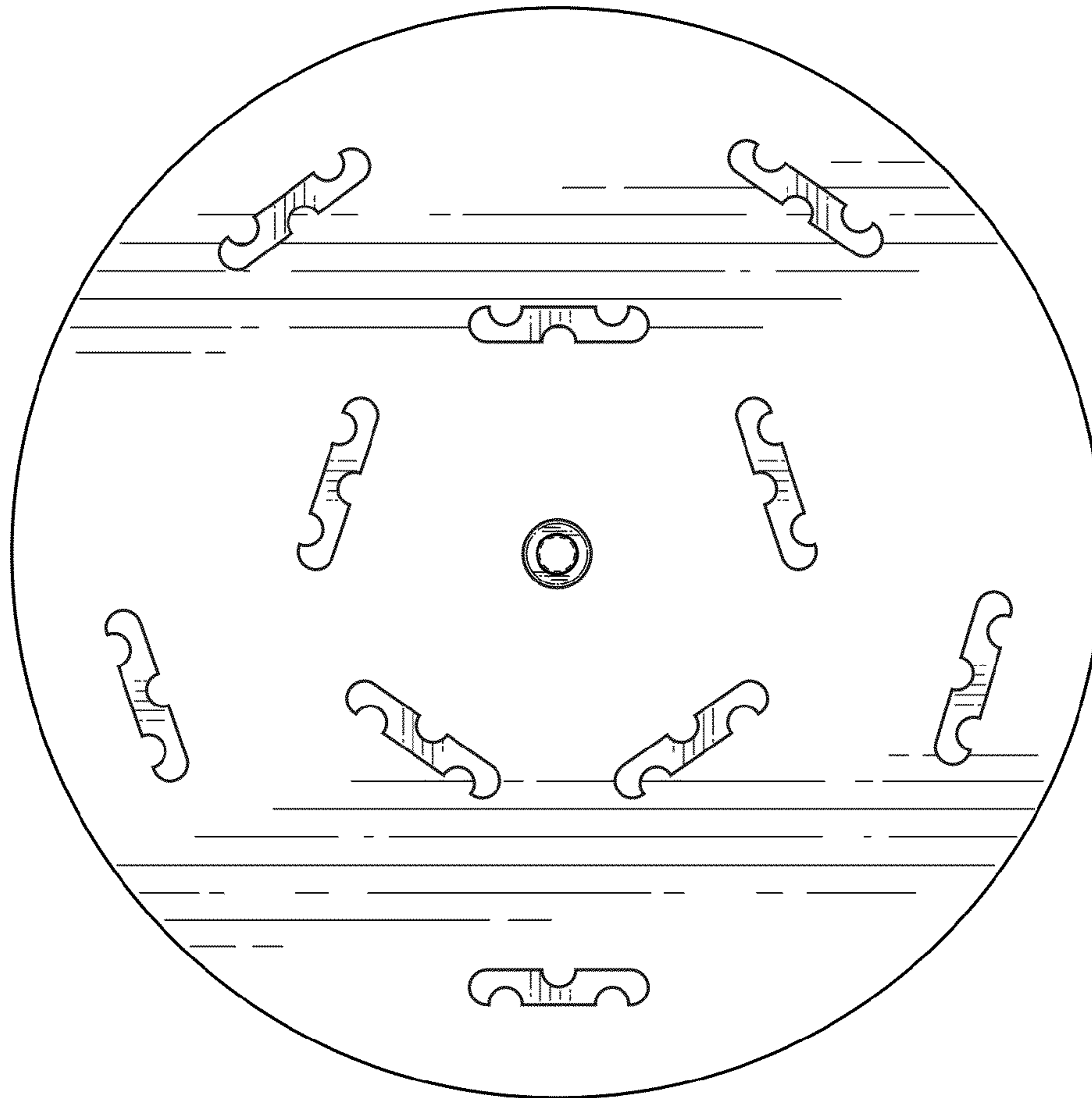


FIG. 3

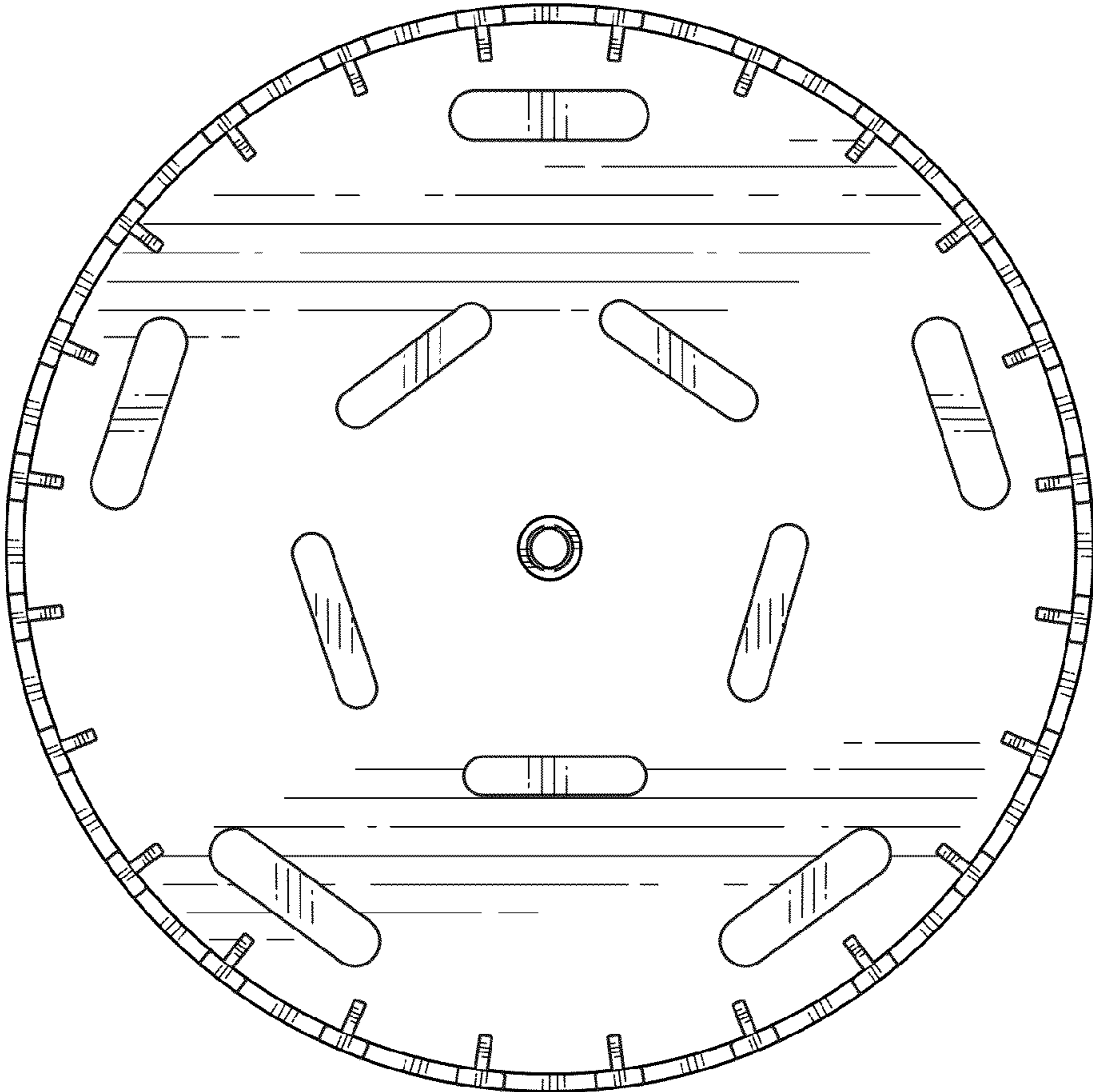


FIG. 4

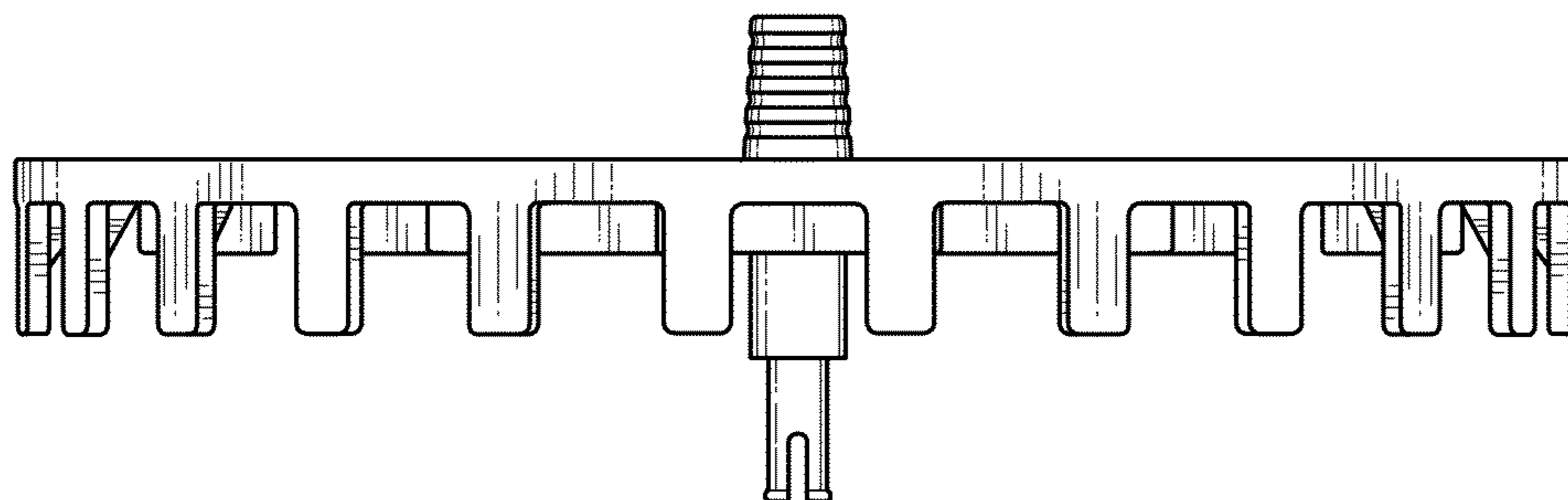


FIG. 5

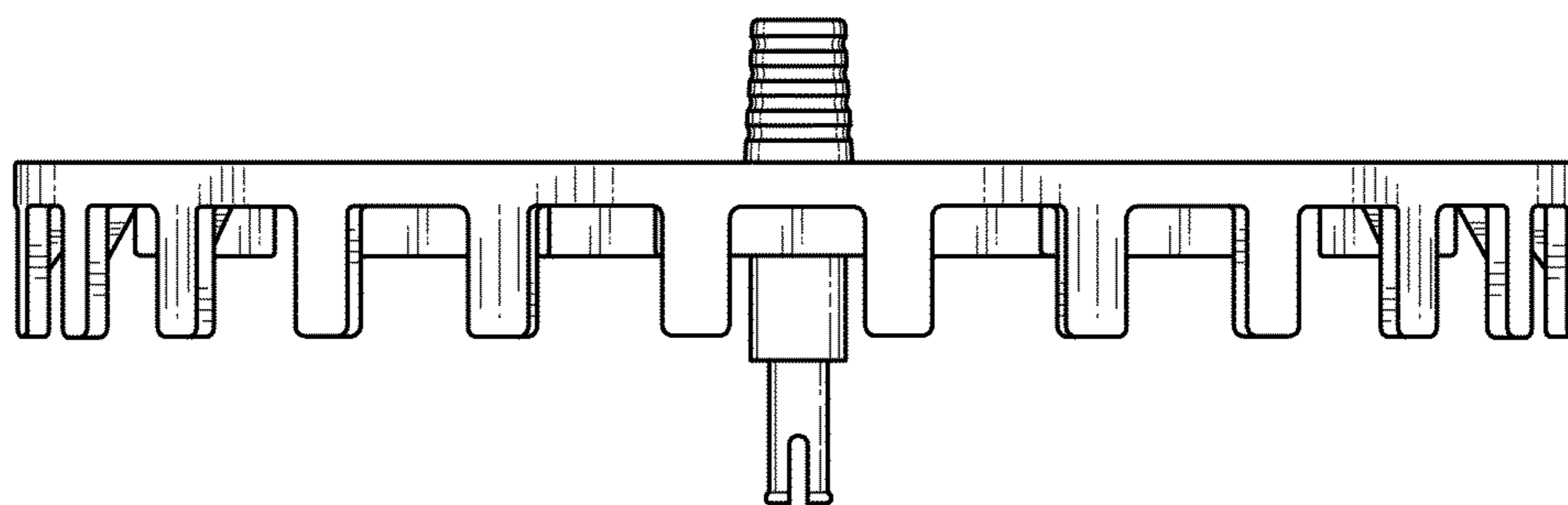


FIG. 6

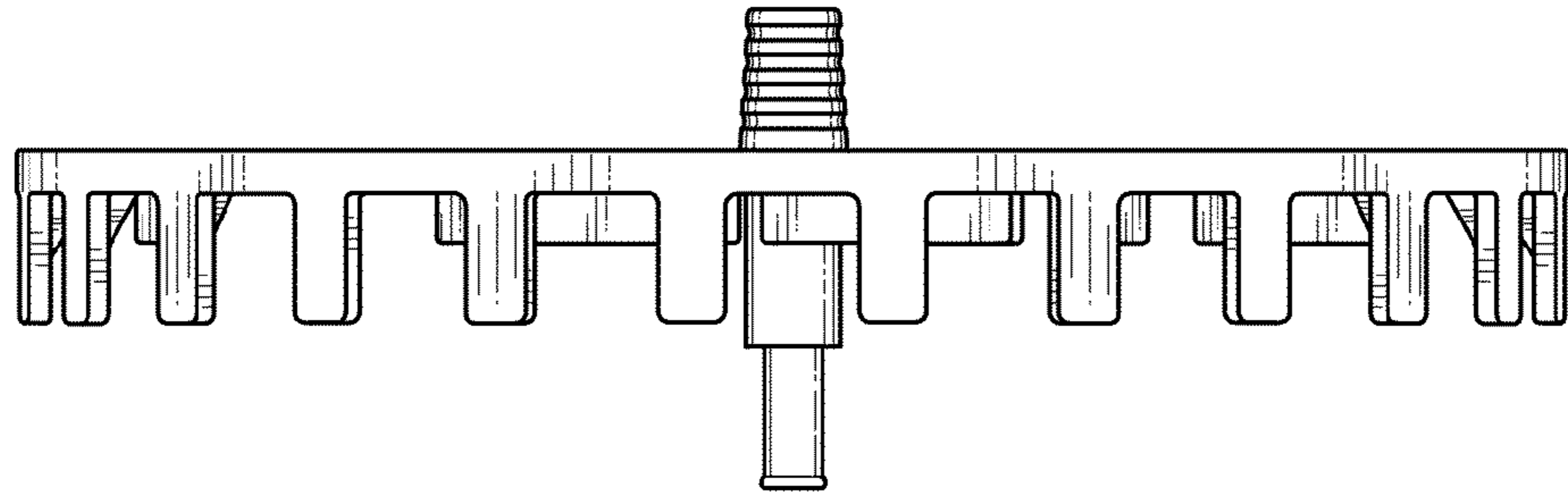


FIG. 7

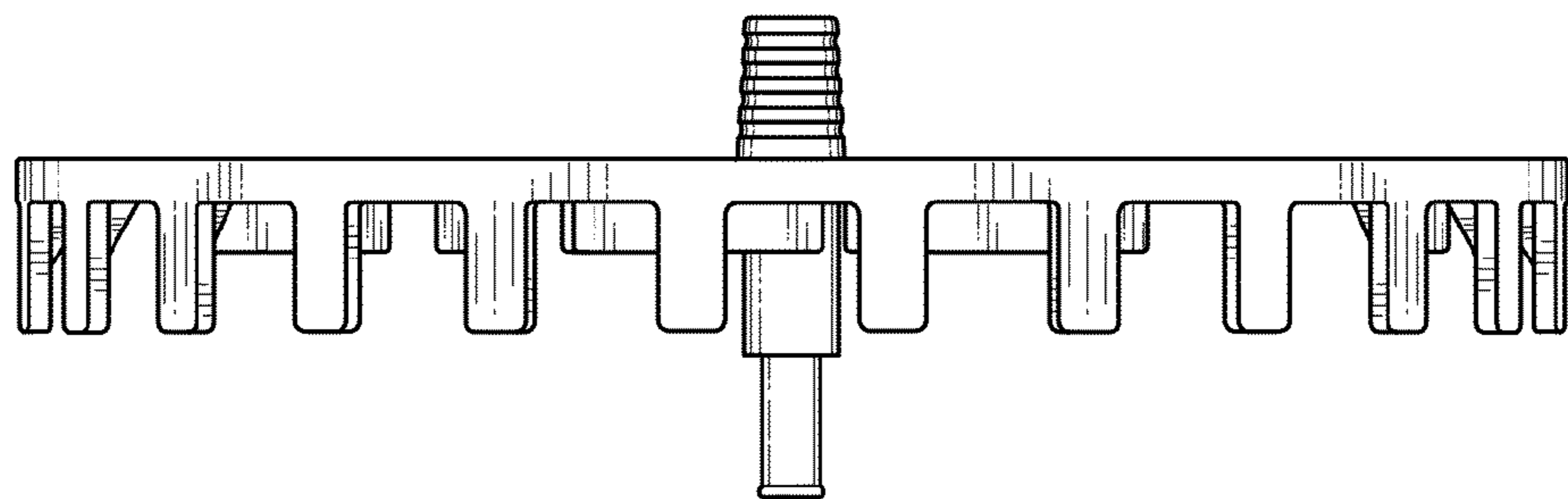


FIG. 8