



US00D723629S

(12) **United States Design Patent**
Kanbar et al.

(10) **Patent No.:** **US D723,629 S**
(45) **Date of Patent:** **** Mar. 3, 2015**

(54) **DRIVEN WHEEL ROTATING BLOCK FOR A TOY CONSTRUCTION SET**

(71) Applicants: **Maurice S. Kanbar**, San Francisco, CA (US); **Albert Kolvites**, San Mateo, CA (US)

(72) Inventors: **Maurice S. Kanbar**, San Francisco, CA (US); **Albert Kolvites**, San Mateo, CA (US)

(73) Assignee: **Maurice S. Kanbar Revocable Trust**, San Francisco, CA (US)

(**) Term: **14 Years**

(21) Appl. No.: **29/488,487**

(22) Filed: **Apr. 18, 2014**

Related U.S. Application Data

(63) Continuation-in-part of application No. 14/180,211, filed on Feb. 13, 2014.

(51) **LOC (10) Cl.** **21-01**

(52) **U.S. Cl.**
USPC **D21/484**

(58) **Field of Classification Search**
CPC A63H 33/00; A63H 33/04; A63H 33/06; A63H 33/08; A63H 33/10; A63H 33/12; A63H 33/14; A63F 9/08; A63F 9/12; G09B 1/36
USPC D21/386, 460, 484, 485-505; 446/69, 446/85, 102-128; 434/208, 259, 403; 273/153, 156, 160; 428/174

See application file for complete search history.

(56) **References Cited**

U.S. PATENT DOCUMENTS

2,984,935	A *	5/1961	Beck	446/114
3,177,611	A *	4/1965	Beck	446/114
D241,055	S *	8/1976	Wohlstrom	D21/460
D297,303	S *	8/1988	Finklestein	D21/489
D304,214	S *	10/1989	Buist	D21/489
D389,400	S *	1/1998	Liang	D21/502
6,604,979	B1 *	8/2003	Liu	446/256

* cited by examiner

Primary Examiner — Cynthia M Chin

(74) *Attorney, Agent, or Firm* — Litts Law Firm

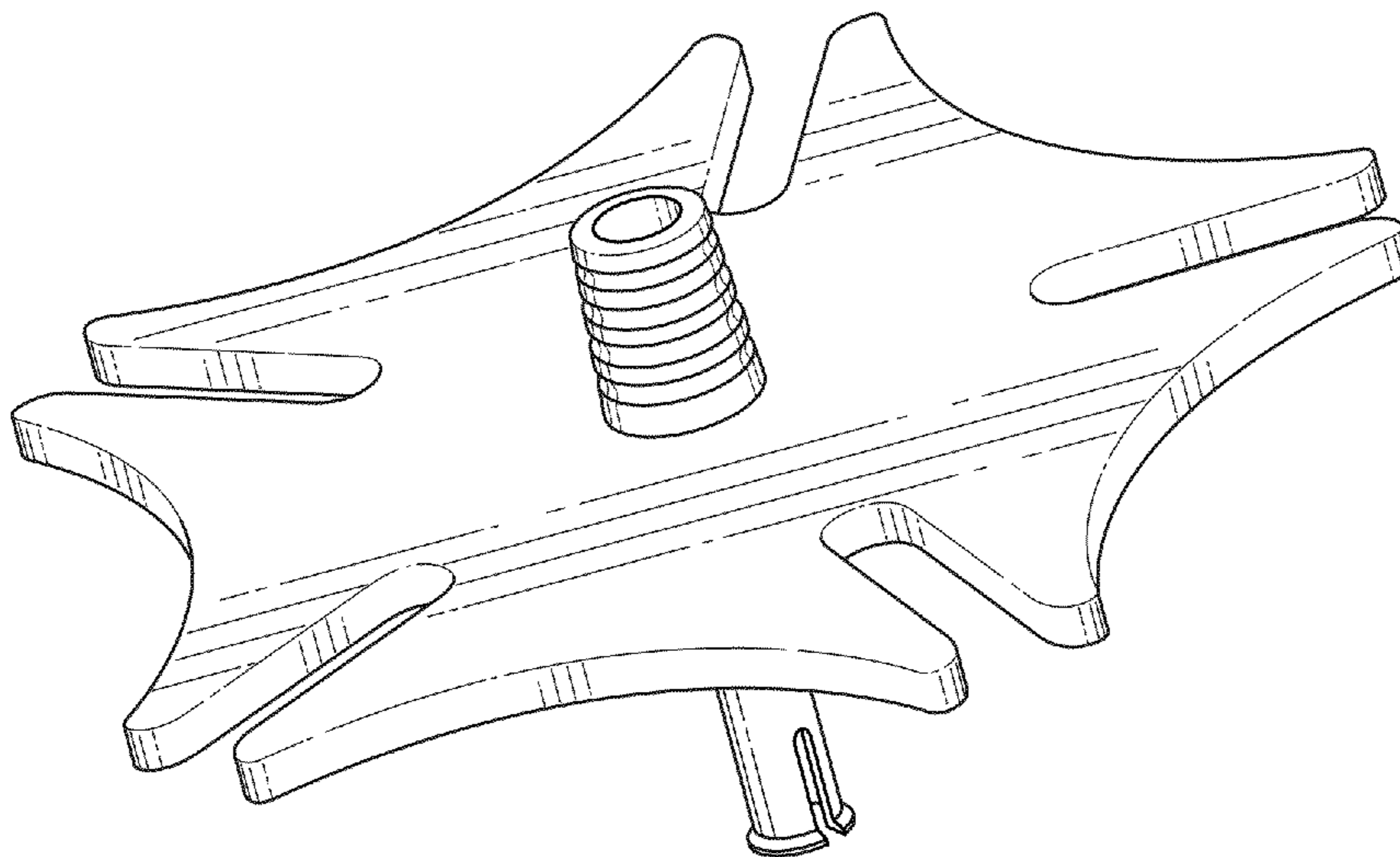
(57) **CLAIM**

The ornamental design for a driven wheel rotating block for a toy construction set, as shown and described.

DESCRIPTION

FIG. 1 is a front perspective view of a driven wheel rotating block for a toy construction set showing our new design; FIG. 2 is a top plan view thereof; FIG. 3 is a bottom plan view thereof; FIG. 4 is a front elevation view thereof; FIG. 5 is a rear elevation view thereof; FIG. 6 is a right side elevation view thereof; and, FIG. 7 is a left side elevation view thereof. The broken lines in FIGS. 2 & 3 represent portions of the article that form no part of the claim.

1 Claim, 5 Drawing Sheets



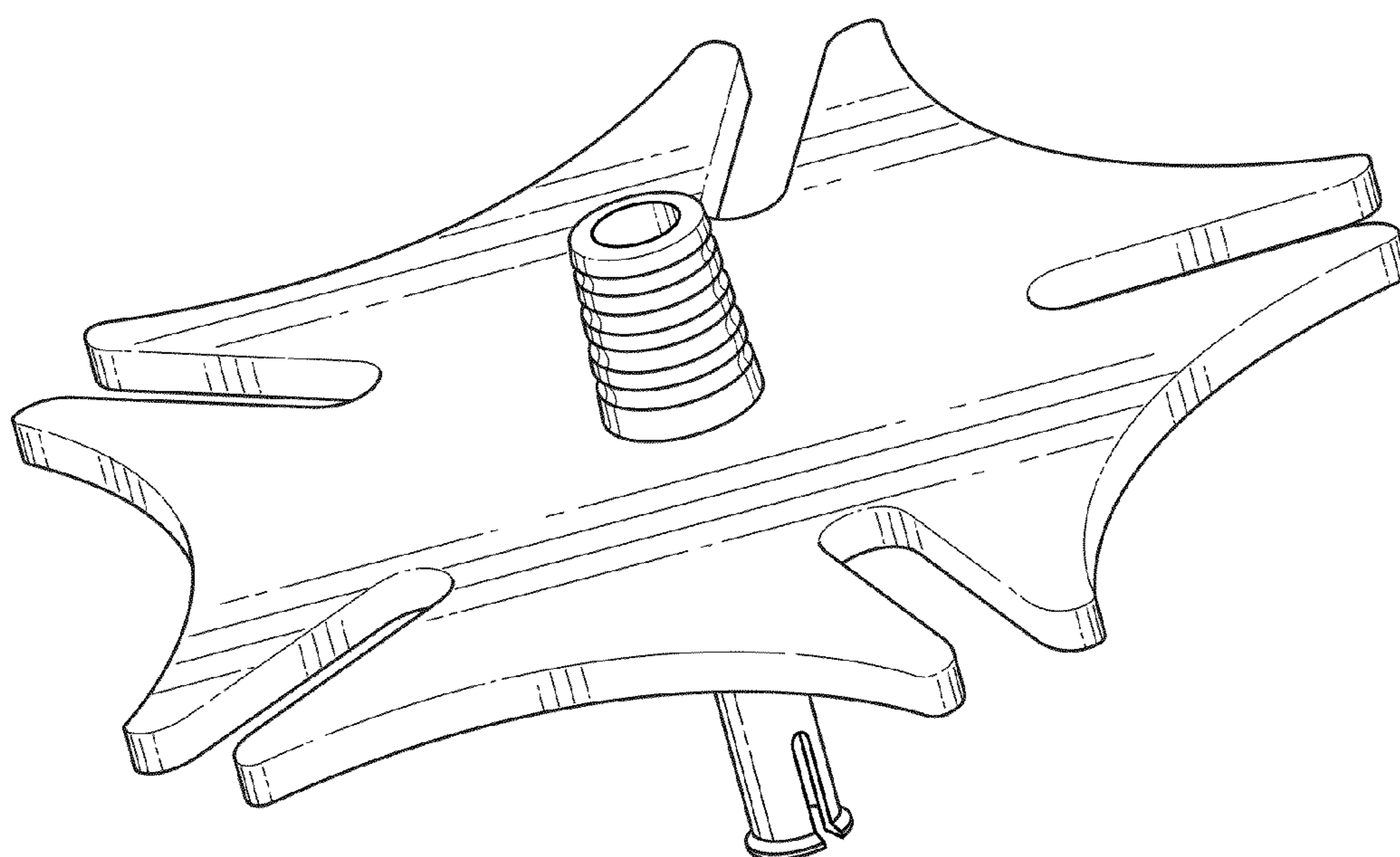


FIG. 1

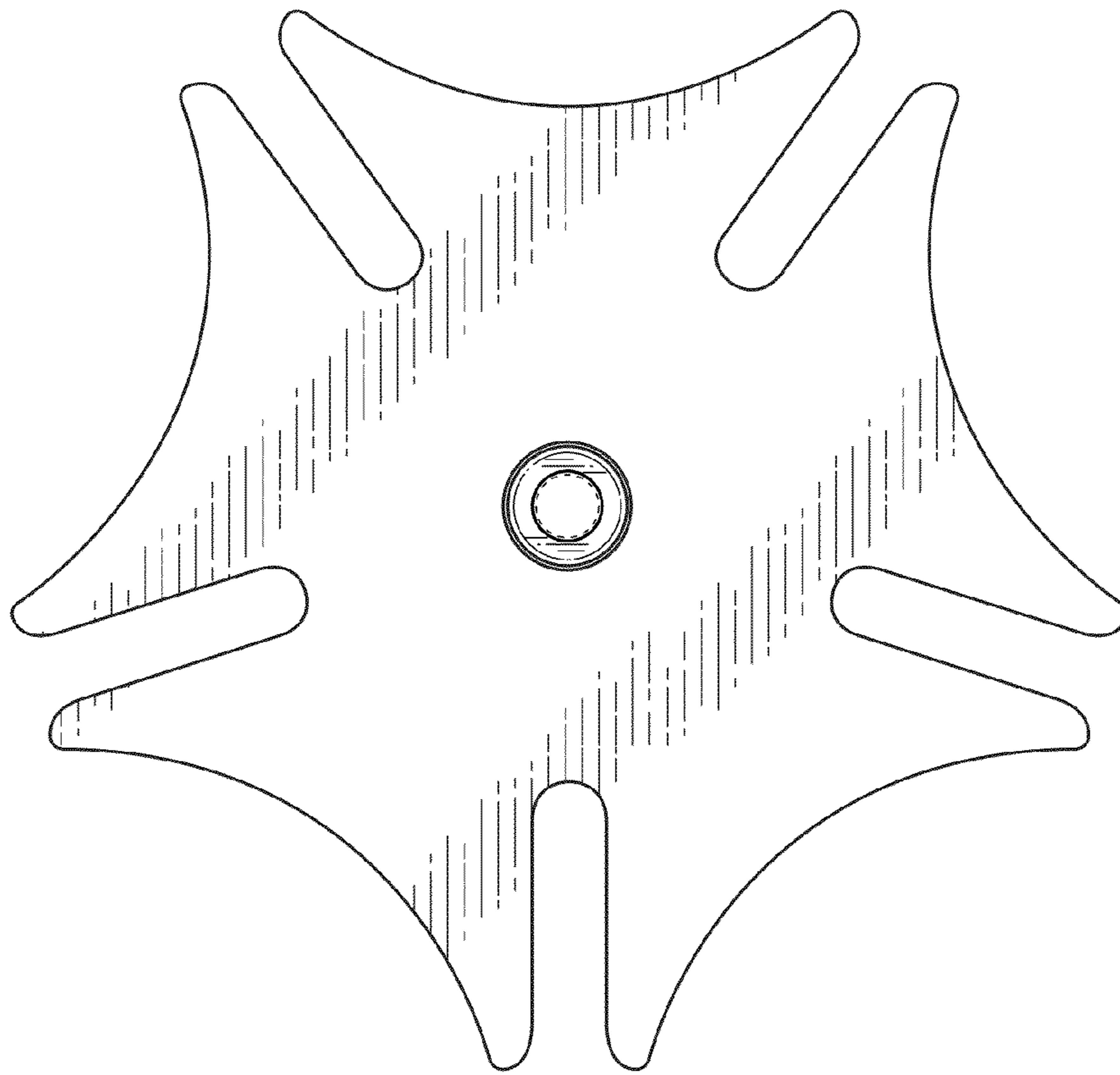


FIG. 2

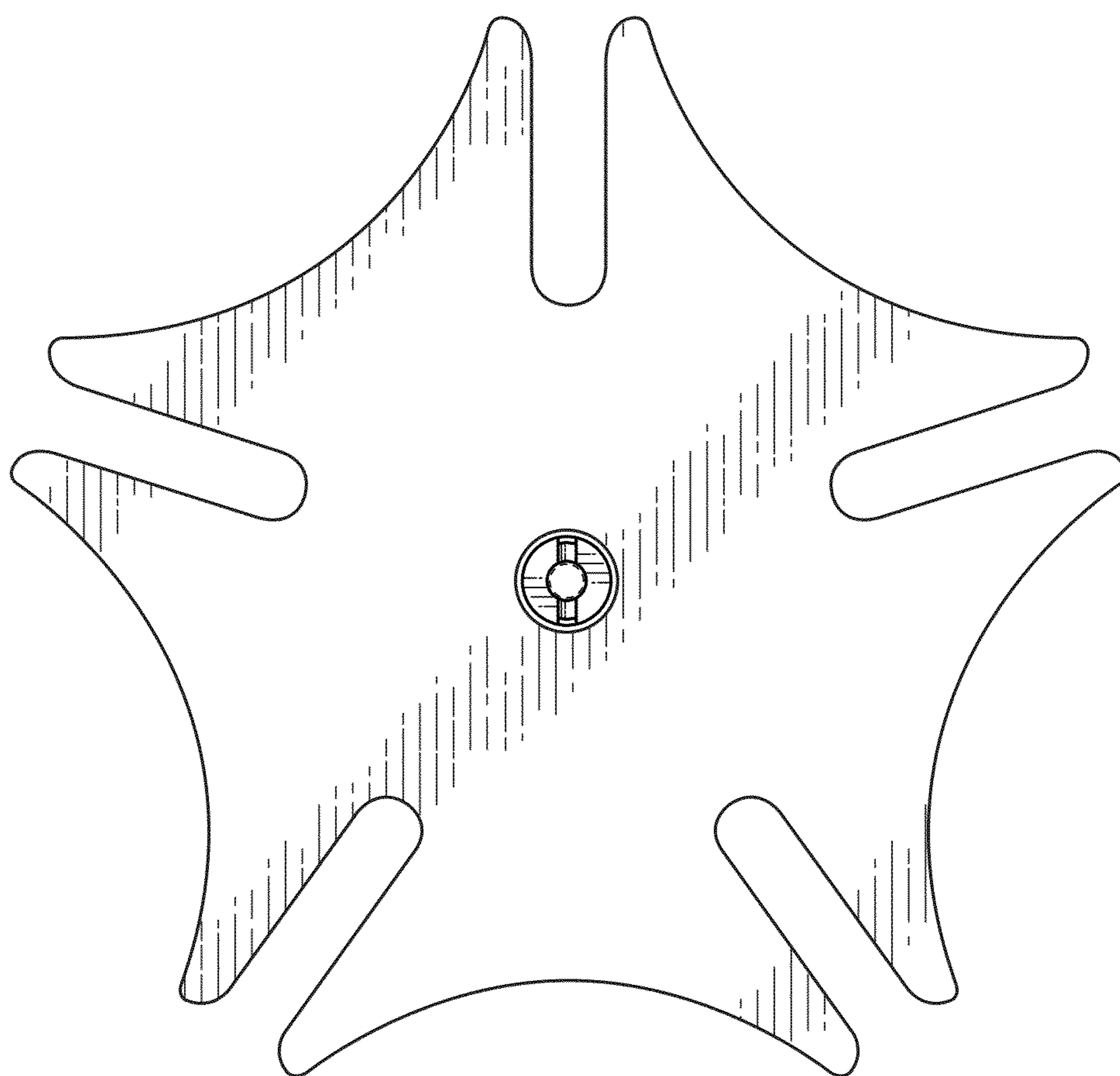


FIG. 3

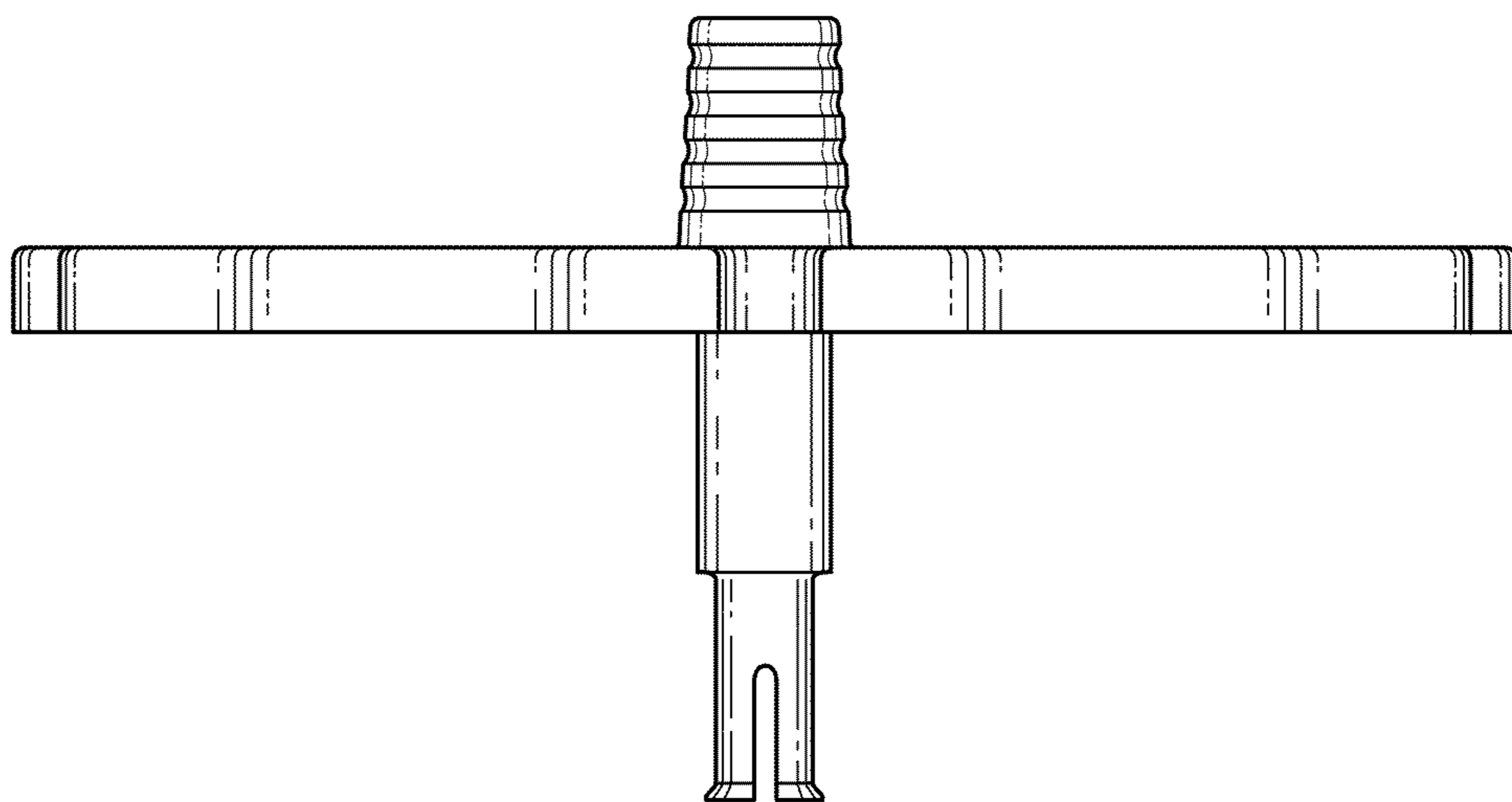


FIG. 4

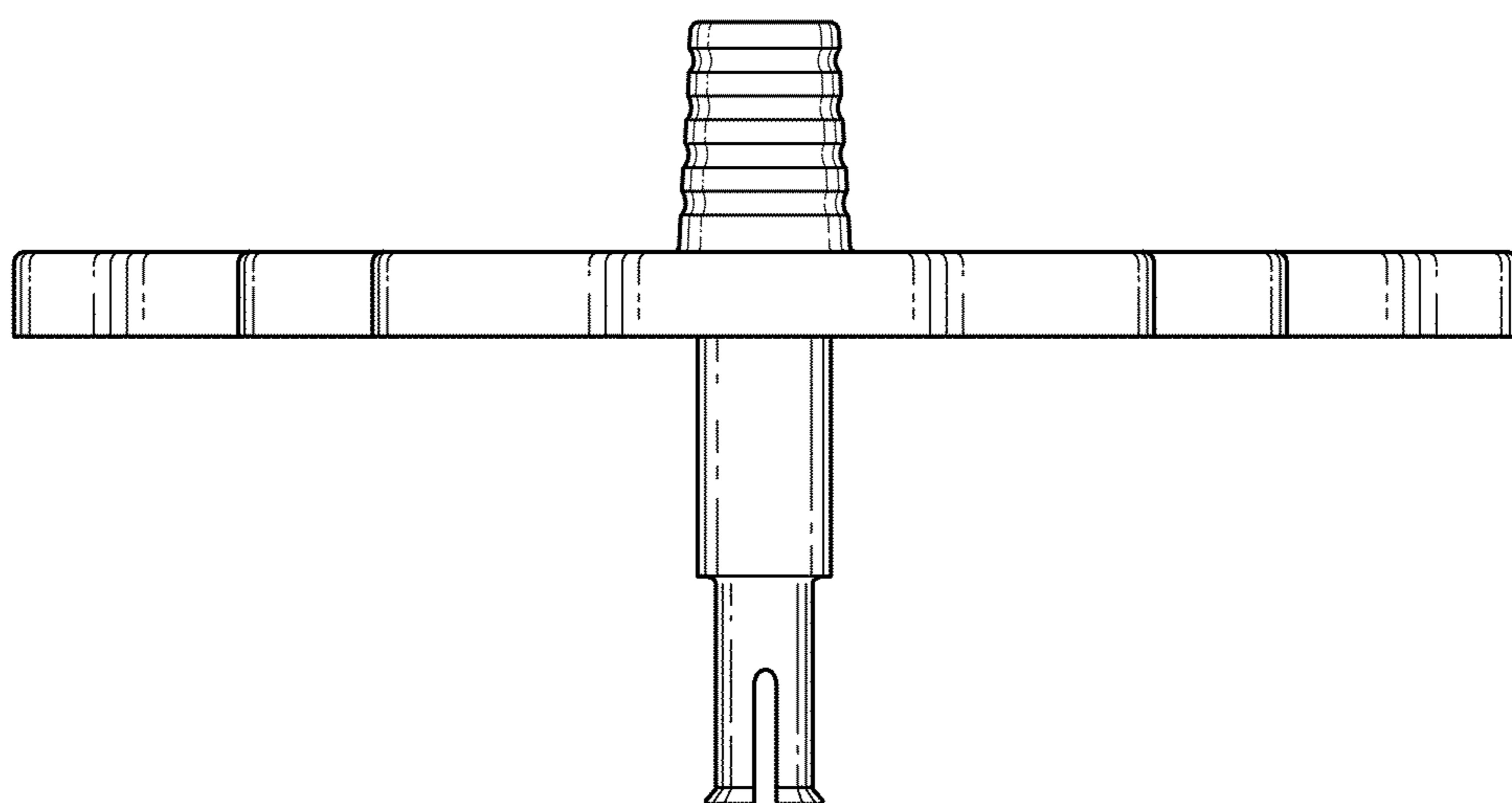


FIG. 5

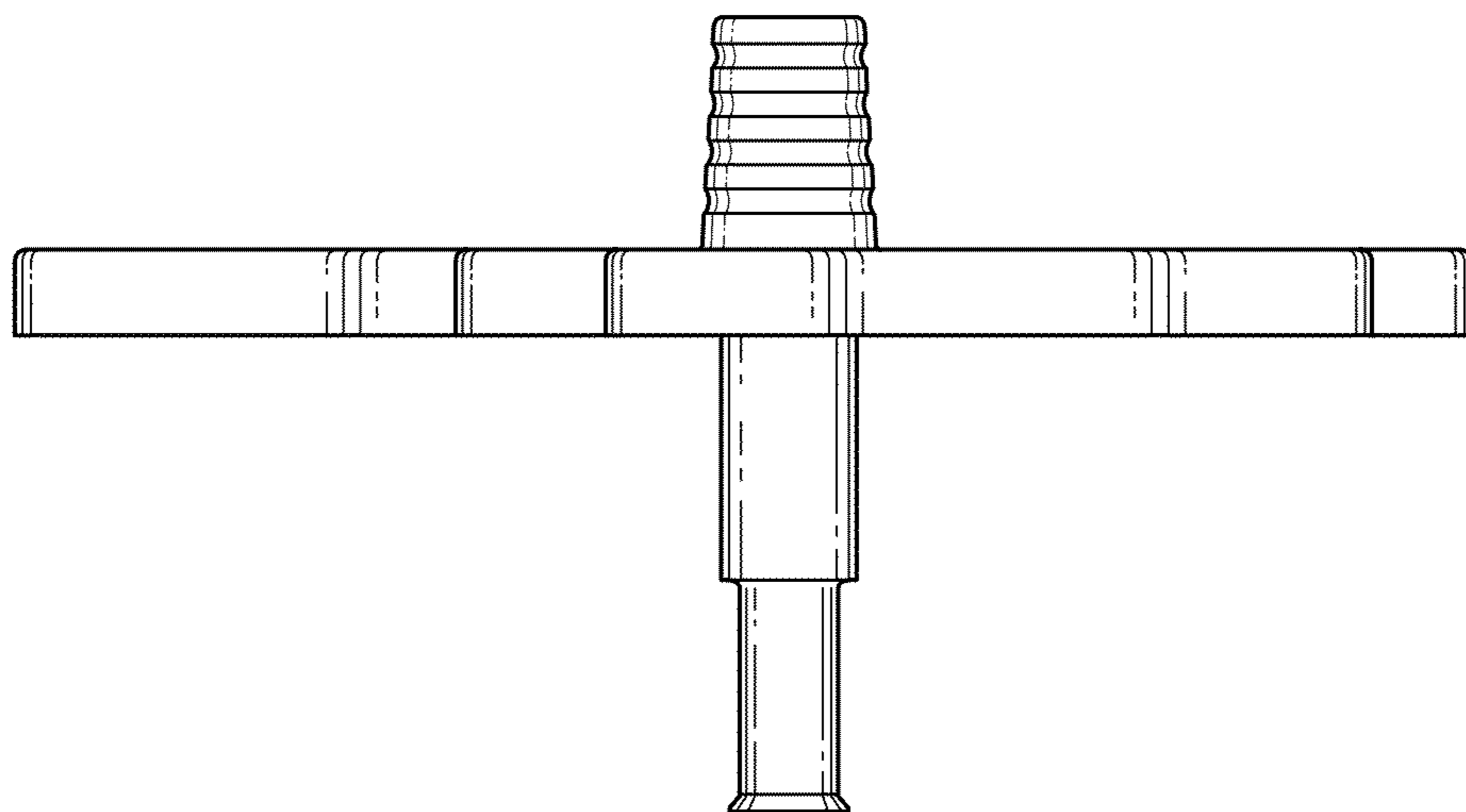


FIG. 6

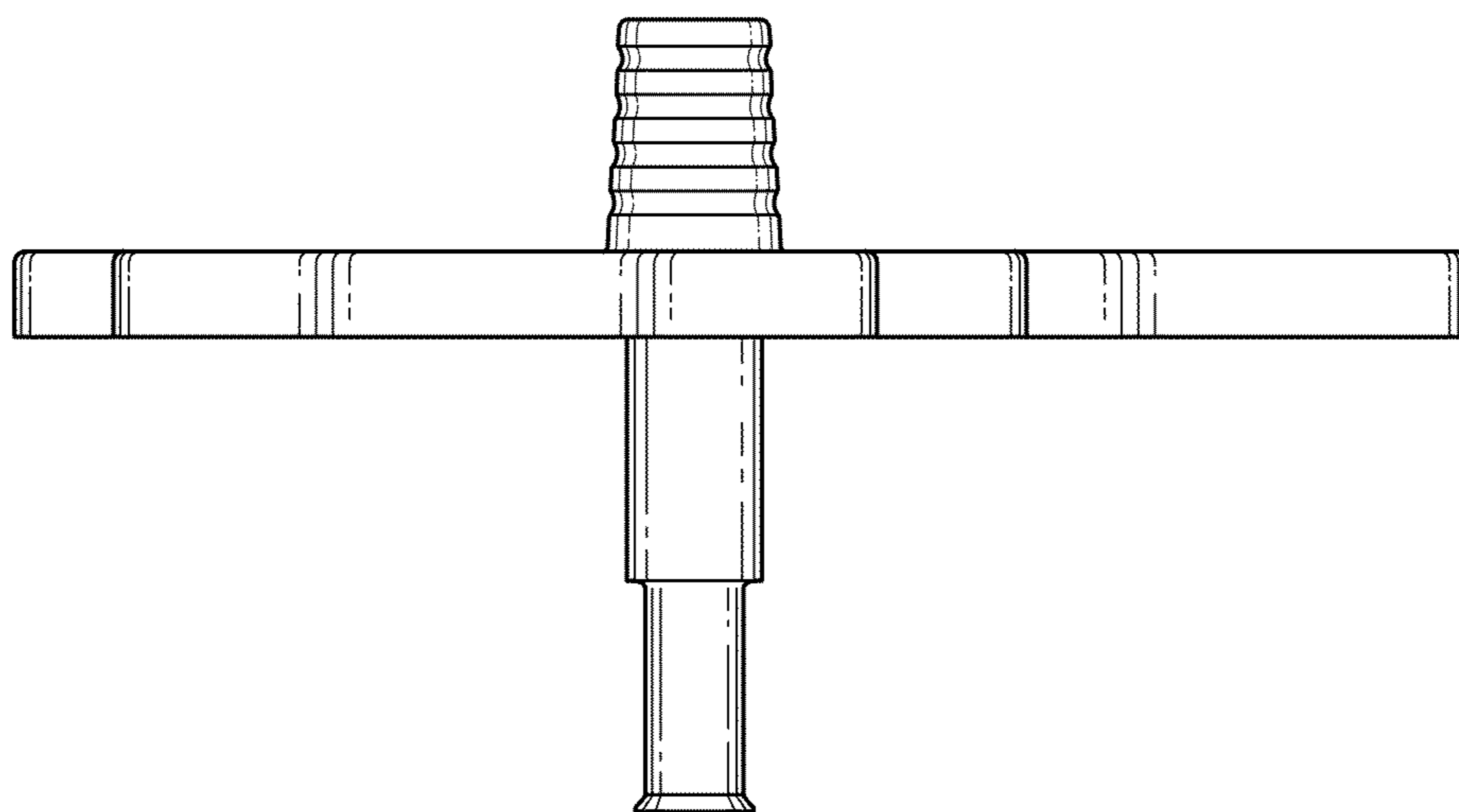


FIG. 7