



US00D723627S

(12) **United States Design Patent**
Sheild

(10) **Patent No.:** **US D723,627 S**
(45) **Date of Patent:** **** Mar. 3, 2015**

- (54) **FLOATING WATER PONG TABLE**
 - (71) Applicant: **Peter J. Sheild**, Oconomowoc, WI (US)
 - (72) Inventor: **Peter J. Sheild**, Oconomowoc, WI (US)
 - (**) Term: **14 Years**
 - (21) Appl. No.: **29/439,463**
 - (22) Filed: **Dec. 11, 2012**
 - (51) **LOC (10) Cl.** **21-01**
 - (52) **U.S. Cl.**
USPC **D21/397**
 - (58) **Field of Classification Search**
USPC D21/300–303, 312–321, 334, 339, 341,
D21/342, 345, 346, 347, 349, 350, 355, 365,
D21/366, 368, 369, 397, 473, 483, 522, 698,
D21/699, 706, 784, 785, 799.2, 801–803,
D21/808, 811; D6/406.6, 642, 644, 654.11,
D6/654.12, 654.16, 654.18, 654.19,
D6/656.13, 656.14, 656.18, 656.19, 673,
D6/675.5, 682.2, 686, 688.1, 688.15,
D6/688.16, 691, 691.1, 691.2, 691.3,
D6/691.6, 691.7, 703.4, 707, 707.13,
D6/707.17, 707.19, 708.16, 552; D12/316;
273/317, 317.1, 317.4, 340, 342, 350,
273/359, 369, 400, 401, 407, 108, 108.1,
273/118 R, 127 R, 236, 277, 281, 287, 309,
273/440, 441; 472/92, 128, 134; 473/466,
473/474, 475, 476, 496; 441/35, 125, 136;
108/28, 50.11
- See application file for complete search history.

(56) **References Cited**

U.S. PATENT DOCUMENTS

2,257,687	A *	9/1941	Huffaker	273/287
D196,402	S *	9/1963	Brown	D12/316
3,858,877	A *	1/1975	Lundstrom	473/14
3,895,801	A *	7/1975	Baird	273/350
D276,010	S *	10/1984	Saltzman	D6/487
5,421,585	A *	6/1995	Ruvio	273/338
D383,170	S *	9/1997	Darden	D21/339
D538,355	S *	3/2007	Tyson	D21/397

7,325,807	B1	2/2008	Eason	
7,451,709	B2	11/2008	Swartfager et al.	
7,516,960	B1	4/2009	Battiste	
D612,443	S *	3/2010	LeRand D21/784
7,805,959	B2	10/2010	Webb et al.	
8,006,980	B1	8/2011	Herro et al.	
8,028,995	B2	10/2011	Hoffer	
8,127,689	B2	3/2012	Christian et al.	
8,146,921	B2	4/2012	Lombardi	
D663,364	S *	7/2012	Allmandinger D21/341
8,506,339	B2 *	8/2013	Fletcher 441/1

(Continued)

OTHER PUBLICATIONS

“Floating Beer Pong and Cooler,” From MidsouthMakers—Memphis Area Hackerpace found at http://wiki.midsouthmakers.org/a/Floating_Beer_Pong_and_Cooler, downloaded on Nov. 27, 2012, last modified on Jun 13, 2011.

“How to build a portable beer pong table,” EHOW, http://www.ehow.com/how_6541619_build-portable-beer-pong-table.html, downloaded Dec. 12, 2012.

(Continued)

Primary Examiner — Catherine Tuttle

(74) *Attorney, Agent, or Firm* — Stiennon & Stiennon

(57) **CLAIM**

The ornamental design for a floating water pong table, as shown and described.

DESCRIPTION

FIG. 1 is a top plan view of the floating water pong table showing my new design

FIG. 2 is a right side elevational view thereof, the side opposite being a mirror image thereof;

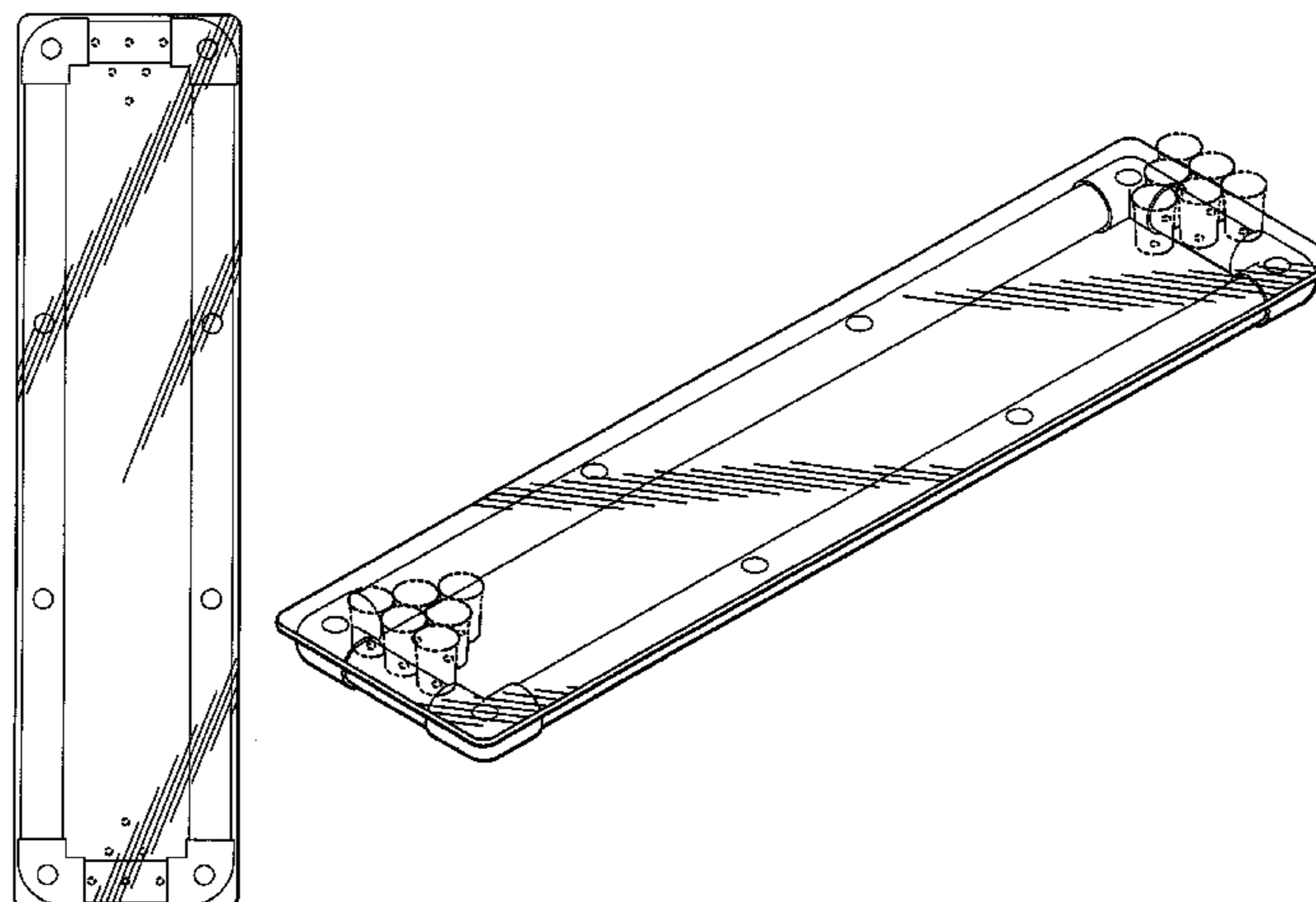
FIG. 3 is a bottom plan view thereof;

FIG. 4 is a front end view thereof, the side opposite being a mirror image thereof; and,

FIG. 5 is an isometric view thereof.

The broken lines shown in FIGS. 1 and 5 are included for the purpose of illustrating features of the floating water pong table and associated elements that form no part of the claimed design.

1 Claim, 2 Drawing Sheets



(56)

References Cited

U.S. PATENT DOCUMENTS

2005/0029747 A1* 2/2005 Grayson 273/342
2006/0226606 A1* 10/2006 Finley et al. 273/342
2009/0194941 A1* 8/2009 Boyd et al. 273/340

OTHER PUBLICATIONS

“The 33 best beer pong tables ever created”, Pong a long Beer Blog, downloaded Dec. 12, 2012. See item 19. <http://www.pongalong.com/beerblog/index.php/the-33-best-beer-pong-tables-ever-created>.

* cited by examiner

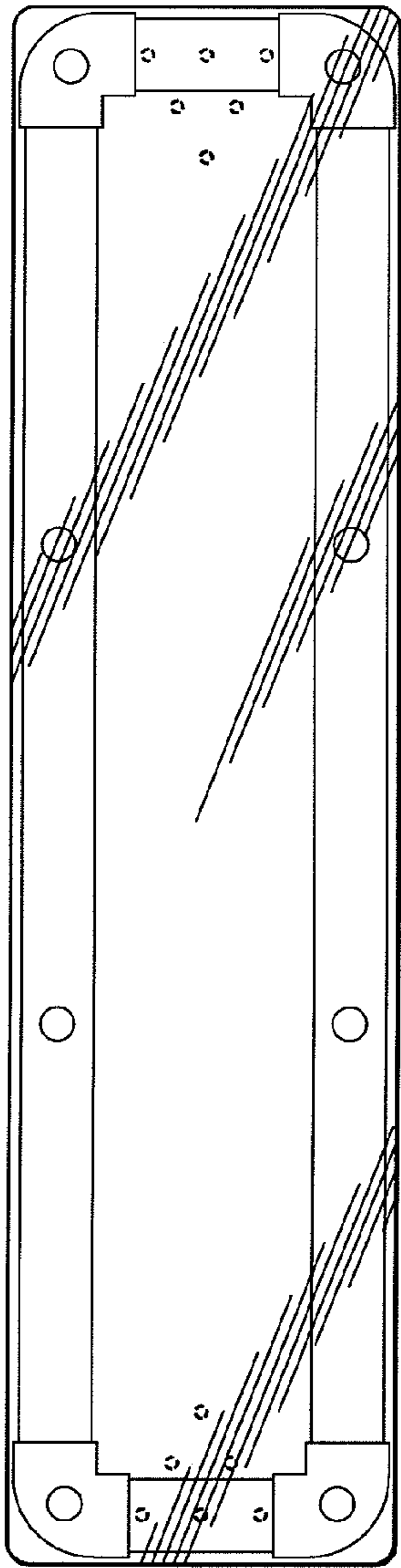


FIG. 1

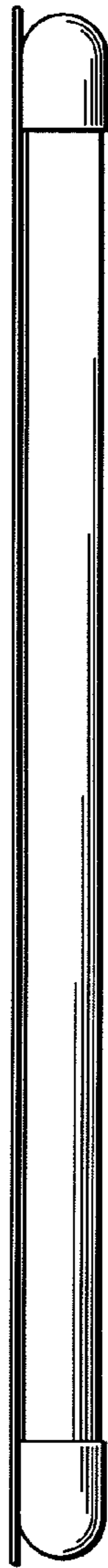


FIG. 2

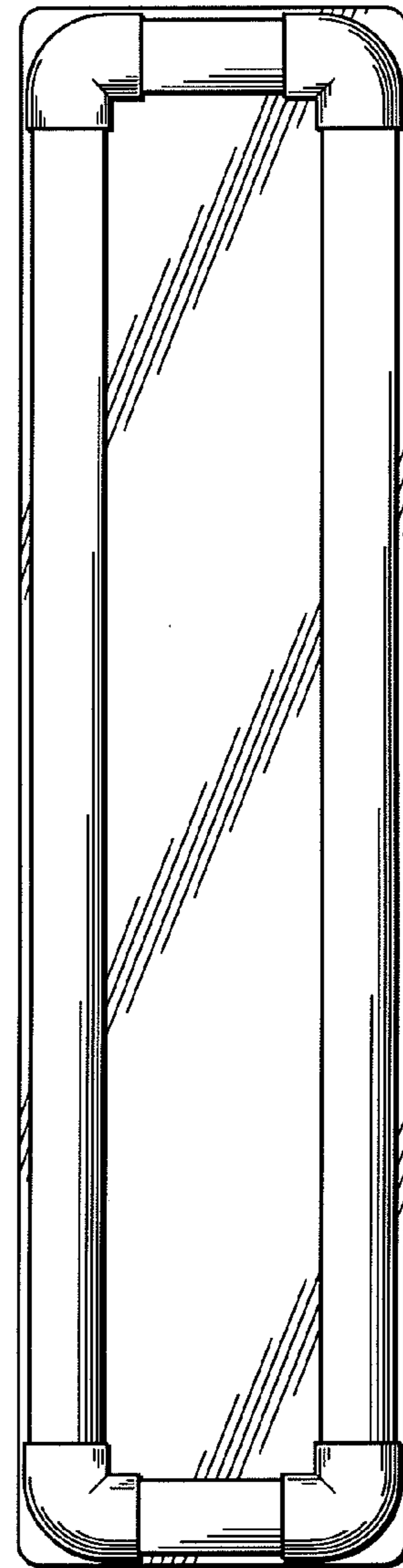


FIG. 3

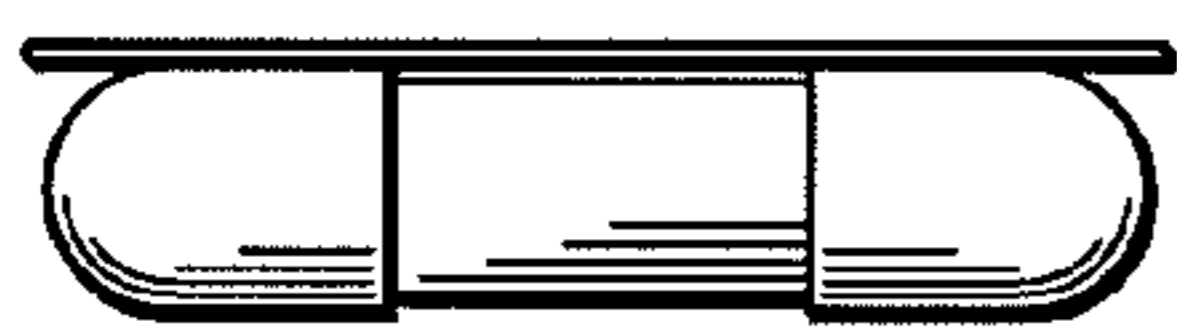


FIG. 4

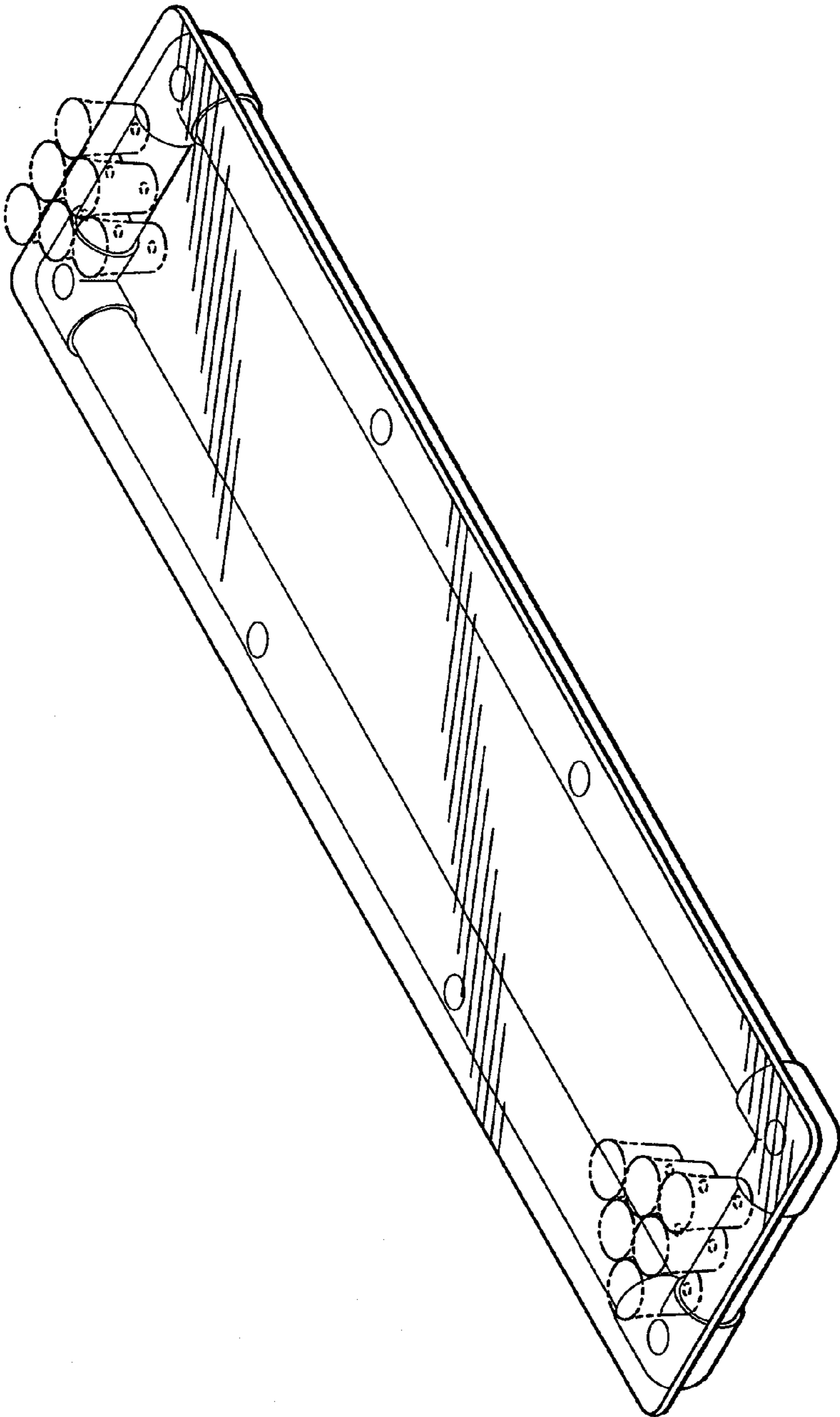


FIG. 5