



US00D723626S

(12) **United States Design Patent**
Vasquez et al.

(10) **Patent No.:** **US D723,626 S**

(45) **Date of Patent:** **** Mar. 3, 2015**

(54) **GAMING DEVICE CABINET**

(71) Applicant: **IGT**, Las Vegas, NV (US)

(72) Inventors: **James A. Vasquez**, Carson City, NV (US); **Julia J. Angst**, Reno, NV (US); **John L. Beadell**, Sparks, NV (US); **John W. Chamberlain**, Carson City, NV (US); **Russell Chudd**, Reno, NV (US); **Matthew D. Cloutier**, Reno, NV (US); **Matthew A. Franich**, Reno, NV (US); **Khanh Trang N. Hajek**, Reno, NV (US); **Mark A. Jaillet**, Reno, NV (US); **Chun J. Jia**, Sparks, NV (US); **Charles W. Johnson**, Reno, NV (US); **Patrick J. Nohr**, Reno, NV (US); **Gene E. Powell**, Reno, NV (US); **Jacqueline M. Ragnone**, Carson City, NV (US); **Tai Rosander**, Reno, NV (US); **Kirk A. Tedsen**, Reno, NV (US); **Stewart Thoeni**, Reno, NV (US); **James W. Timperley**, Reno, NV (US); **Randall J. Tognoni**, Reno, NV (US); **Gregory D. Wright**, Reno, NV (US); **Jared P. Wulff**, Reno, NV (US)

(73) Assignee: **IGT**, Las Vegas, NV (US)

(**) Term: **14 Years**

(21) Appl. No.: **29/467,535**

(22) Filed: **Sep. 20, 2013**

(51) **LOC (10) Cl.** **21-03**

(52) **U.S. Cl.**
USPC **D21/370**

(58) **Field of Classification Search**
CPC **A63F 59/04**
USPC **D21/324-329, 369-370; 273/146; 463/17, 20, 46-47**

See application file for complete search history.

(56) **References Cited**

U.S. PATENT DOCUMENTS

D498,267	S	*	11/2004	Crouch	D21/370
D525,664	S	*	7/2006	Cole	D21/369
7,736,232	B2		6/2010	Linard et al.		
D619,660	S	*	7/2010	Cole et al.	D21/370
D646,337	S	*	10/2011	Kelly et al.	D21/370
D673,621	S	*	1/2013	Johnson et al.	D21/369
D685,435	S	*	7/2013	Hohman et al.	D21/370

OTHER PUBLICATIONS

Aristocrat-US | Cabinets, available at <http://www.aristocrat-us.com/#!cabinets/cwc7>, Apr. 25, 2014 (2 pages).

Alpha 2 Pro™ Curve™, available at <http://ballytech.com/games/alpha-2-pro-curve>, Apr. 25, 2014 (1 page).

(Continued)

Primary Examiner — Sandra Morris

(74) *Attorney, Agent, or Firm* — Neal, Gerber & Eisenberg LLP

(57) **CLAIM**

The ornamental design for a gaming device cabinet, as shown and described herein.

DESCRIPTION

FIG. 1 is a front view of the gaming device cabinet of our new design.

FIG. 2 is a back view of the gaming device cabinet of our new design.

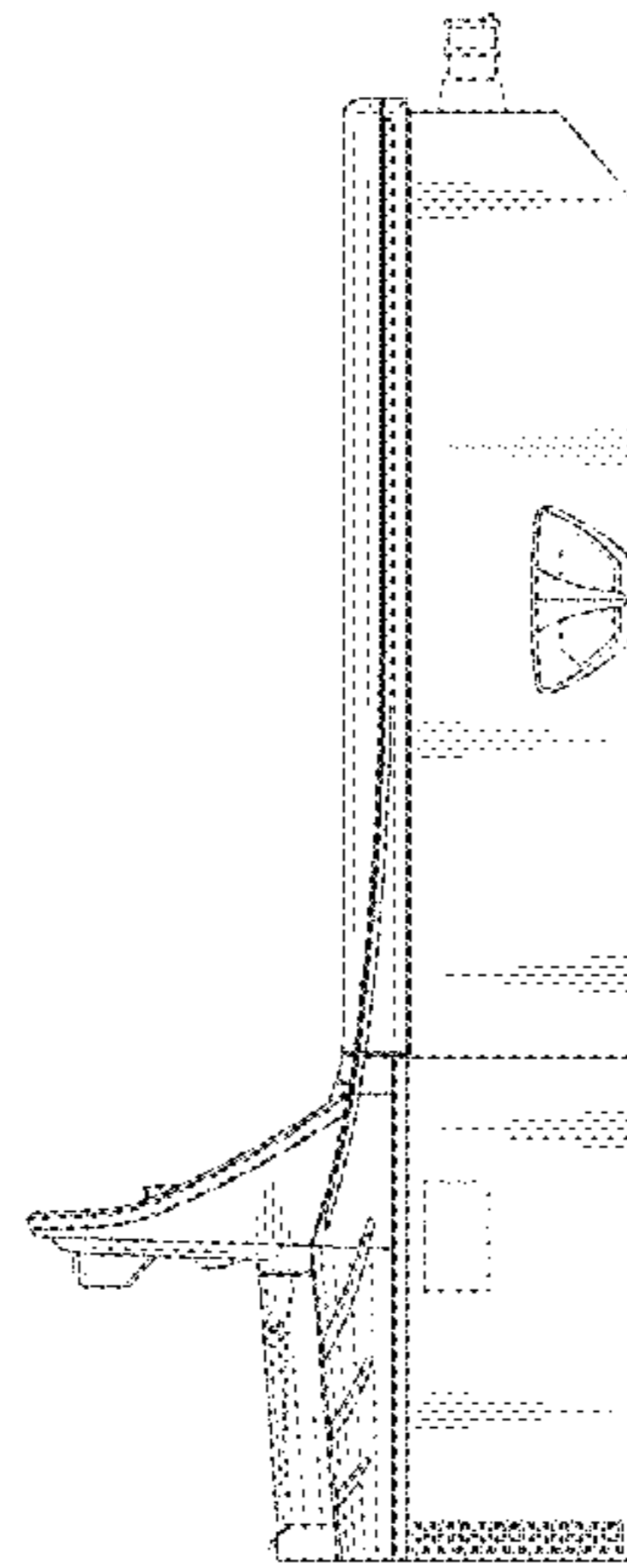
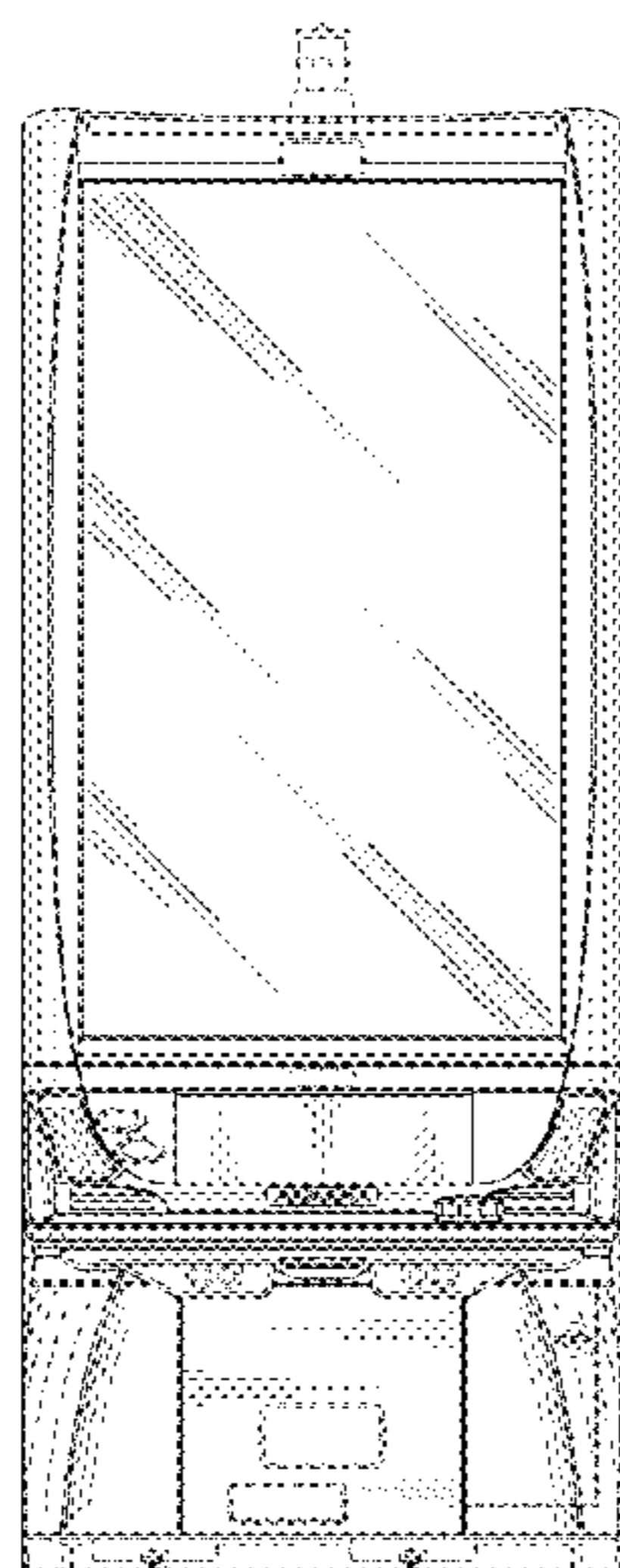
FIG. 3 is a left side view of the gaming device cabinet of our new design illustrated in FIG. 1.

FIG. 4 is a right side view of the gaming device cabinet of our new design illustrated in FIG. 1; and,

FIG. 5 is a top view of the gaming device cabinet of our new design illustrated in FIG. 1.

Those portions shown in phantom are for environmental purposes only.

1 Claim, 5 Drawing Sheets



(56)

References Cited

OTHER PUBLICATIONS

Alpha 2 Pro™ Curve with Rotating Pointer, available at <http://ballytech.com/games/alpha-2-pro-curve-with-Rotating-Pointer>, Apr. 25, 2014 (1 page).

Alpha 2 Pro™ Stepper, available at <http://ballytech.com/games/alpha-2-pro-stepper>, Apr. 25, 2014 (1 page).

Alpha 2 Pro™ V22/22, available at <http://ballytech.com/Games/alpha-2-pro-v22-22>, Apr. 25, 2014 (1 page).

Alpha 2 Pro™ V32, available at <http://ballytech.com/games/alpha-2-pro-v32>, Apr. 25, 2014 (1 page).

Alpha 2 Pro™ Wave™, available at <http://ballytech.com/games/alpha-2-pro-wave>, Apr. 25, 2014 (1 page).

Blade Brochure, copyright WMS Gaming Inc. 2012 (10 pages).

Bluebird®2e Mechanical Advertisement, copyright WMS Gaming Inc. 2012 (2 pages).

Bluebird®2e Video Advertisement, copyright WMS Gaming Inc. 2012 (2 pages).

E20 Upright Advertisement, copyright IGT 2012 (1 page).

Equinox™, available at <http://ballytech.com/games/Equinox>, Apr. 25, 2014 (1 page).

G20 Bar Top Advertisement, copyright IGT 2011 (1 page).

G20 Version 2 Advertisement, copyright IGT 2011 (1 page).

G23V2 Premium Widescreen Machine, copyright IGT 2012 (1 page).

Introducing Gamefield xD™, available at <https://web.archive.org/web/20130904165828/http://now.wms.com/gamefieldxd>, Apr. 25, 2014 (5 pages).

Introduction to Slots and Video Gaming, copyright IGT 2005, pp. 1, 3, 7, 14, 25, 28, 29, 30, 34, 73, 74, 75 and 78 (13 pages).

iView Small Display-Big Impact, available at <http://ballytech.com/Systems/Marketing/iVIEW>, Apr. 25, 2014 (1 page).

Premium Games, available at <http://ballytech.com/games/premium-games/>, Apr. 25, 2014 (1 page).

S AVP Machine Advertisement, copyright IGT 2012 (1 page).

S MLD Advertisement, copyright IGT 2011 (1 page).

Universal Slant 32 Advertisement, copyright IGT 2012 (1 page).

Universal Slant Machine Advertisement, copyright IGT 2012 (1 page).

XD Brochure, copyright WMS Gaming Inc. 2010 (11 pages).

* cited by examiner

FIG. 1

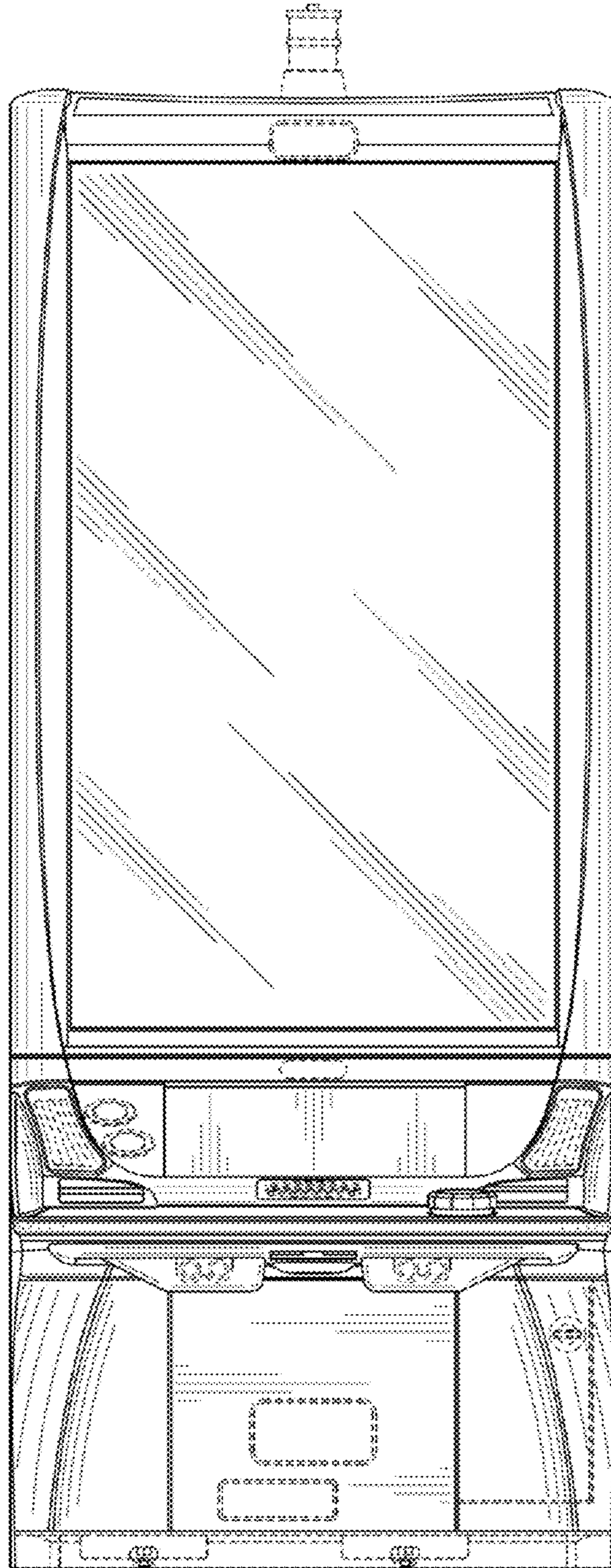


FIG. 2

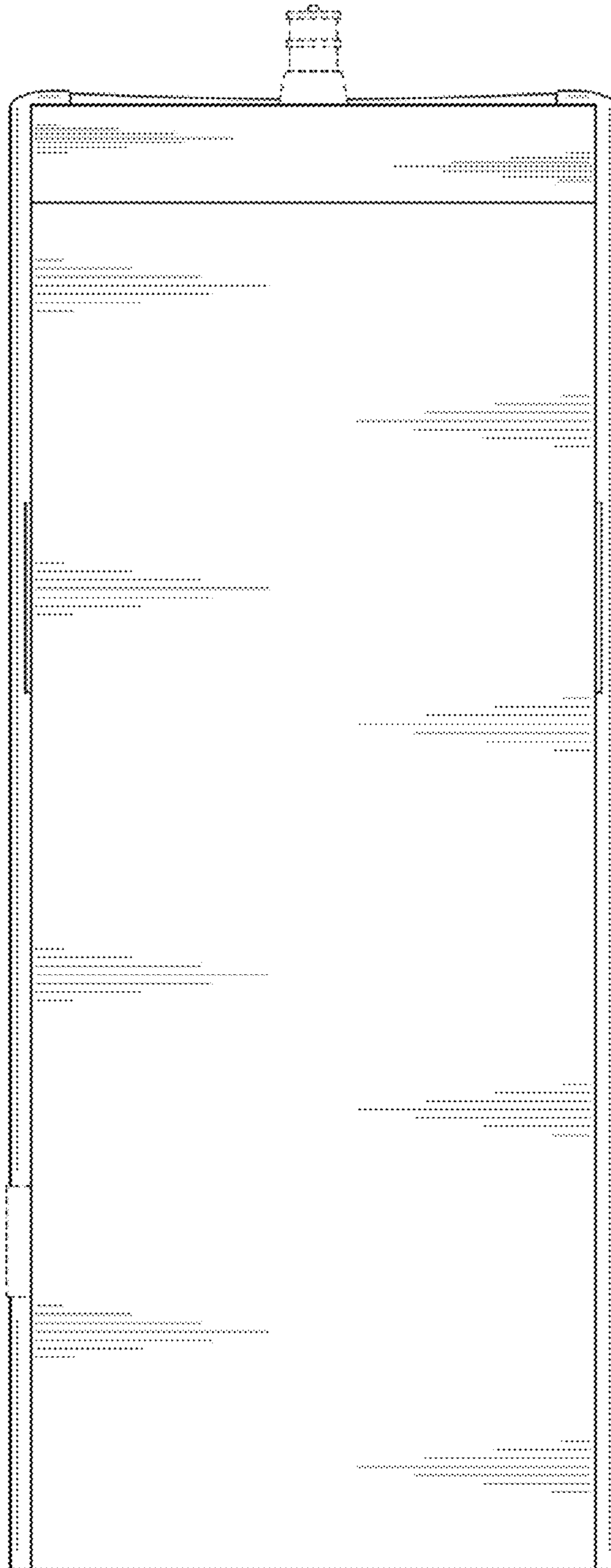


FIG. 3

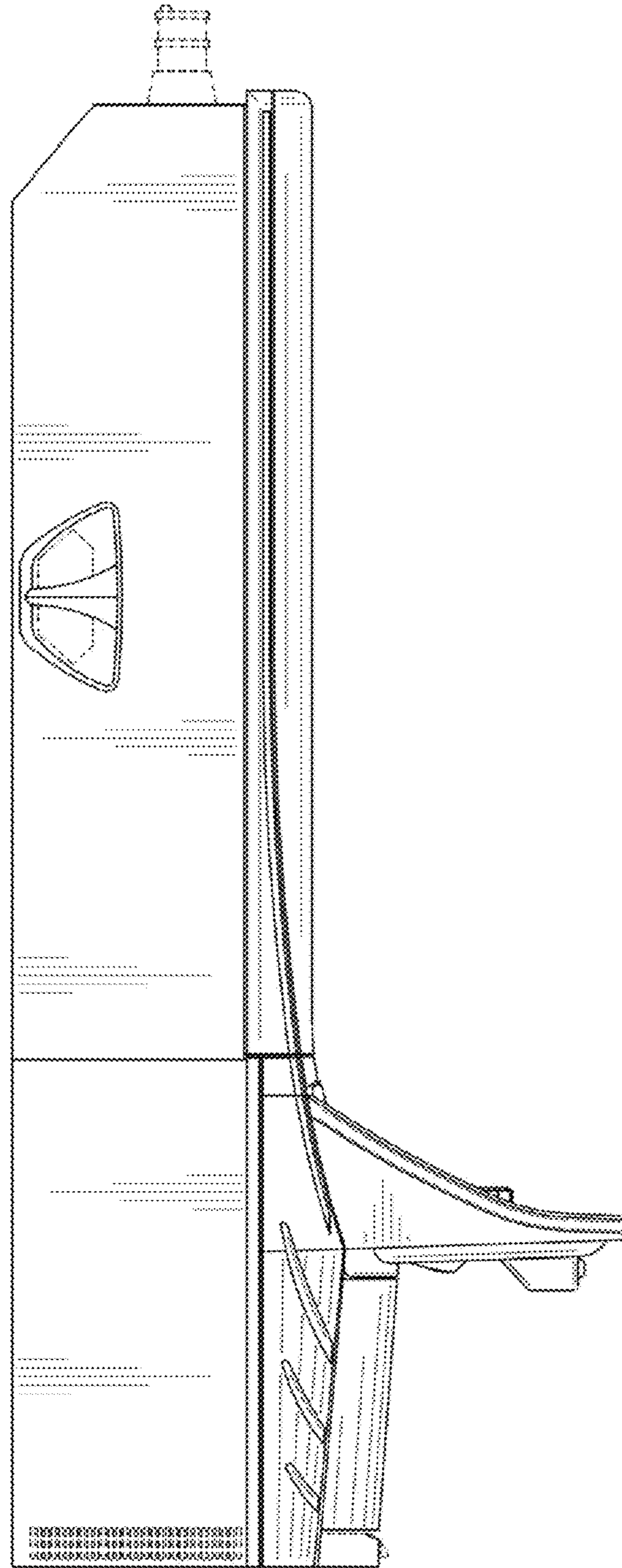


FIG. 4

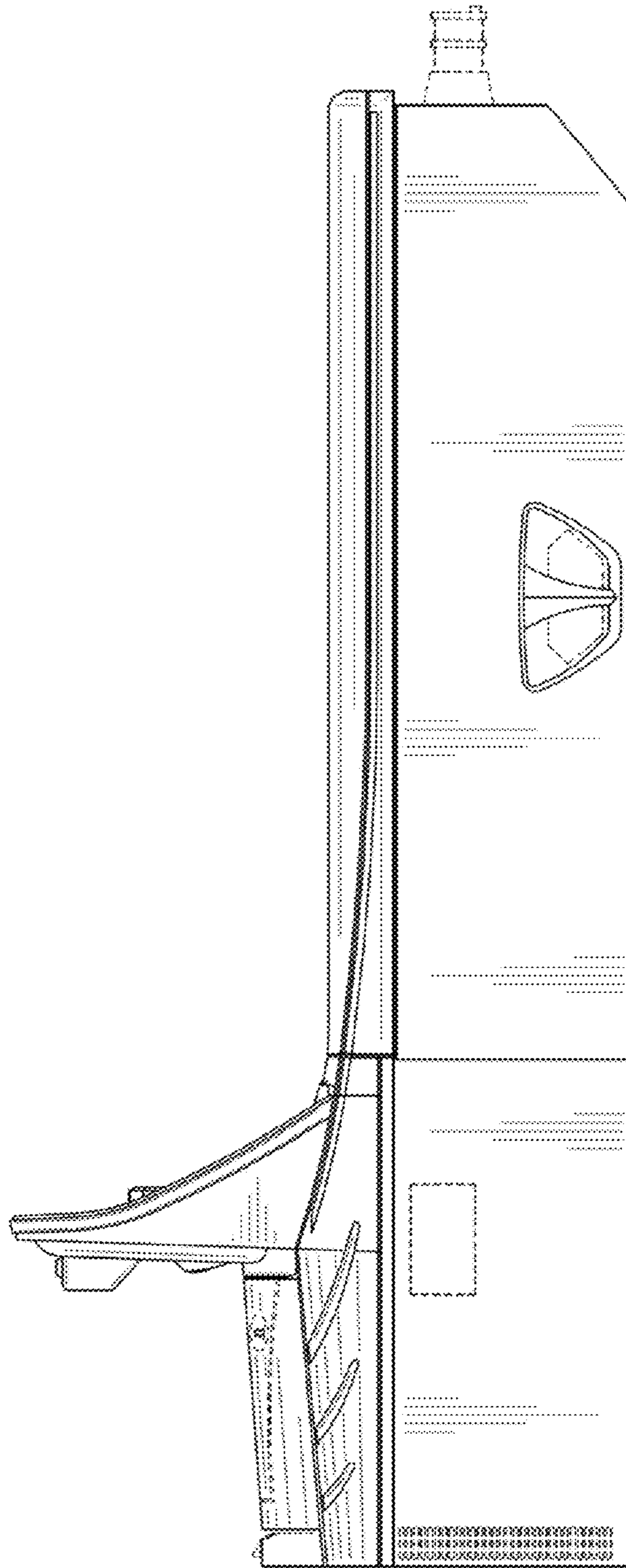


FIG. 5

