



US00D723624S

(12) **United States Design Patent**
McPhillips

(10) **Patent No.:** **US D723,624 S**
(45) **Date of Patent:** **** Mar. 3, 2015**

(54) **ROTATING DISPLAY CONNECTOR**
(71) Applicant: **Atomic Design, Inc.**, Lititz, PA (US)
(72) Inventor: **Thomas McPhillips**, Manheim, PA (US)
(73) Assignee: **Atomic Design, Inc.**, Lititz, PA (US)
(**) Term: **14 Years**

3,596,701 A 8/1971 Cowan
3,936,111 A 2/1976 Mazzucconi
4,001,987 A 1/1977 Coulthard
4,114,160 A * 9/1978 Verini 343/715
5,036,641 A 8/1991 Viry
5,344,115 A * 9/1994 Mayne et al. 248/514
5,478,041 A * 12/1995 Mayne 248/514

(Continued)

(21) Appl. No.: **29/443,022**
(22) Filed: **Jan. 11, 2013**
(51) **LOC (10) Cl.** **20-99**
(52) **U.S. Cl.**
USPC **D20/99**
(58) **Field of Classification Search**
CPC G09F 3/08; G09F 3/16; G09F 3/18;
G09F 3/20; G09F 3/201; G09F 3/202; G09F
3/203; G09F 3/204; G09F 7/00; G09F 7/02;
G09F 7/04; G09F 7/08; G09F 7/18; G09F
7/20; G09F 21/02; G09F 21/04; G09F 21/048;
G09F 19/22; G09F 23/00; G09F 17/00;
G09F 11/02; B60R 13/00; A45B 11/00;
F16M 13/02
USPC D20/10, 19, 42-44, 99; 40/388, 389,
40/390, 599, 642.02, 643, 644, 647, 649,
40/651-655, 658, 661, 661.01, 661.03,
40/661.05-661.09, 661.11, 662, 667;
D6/513; D8/349, 354, 373; D11/182;
248/207, 317, 346.01, 539, 541
See application file for complete search history.

FOREIGN PATENT DOCUMENTS

DE 102011015351 A1 10/2012
EP 1995508 A2 11/2008
FR 2851442 A1 2/2003

OTHER PUBLICATIONS

Installation Instructions for Pillow Wall, by Atomic, (877-626-8301),
1 page.

(Continued)

Primary Examiner — Mary Ann Calabrese
(74) *Attorney, Agent, or Firm* — Barley Snyder

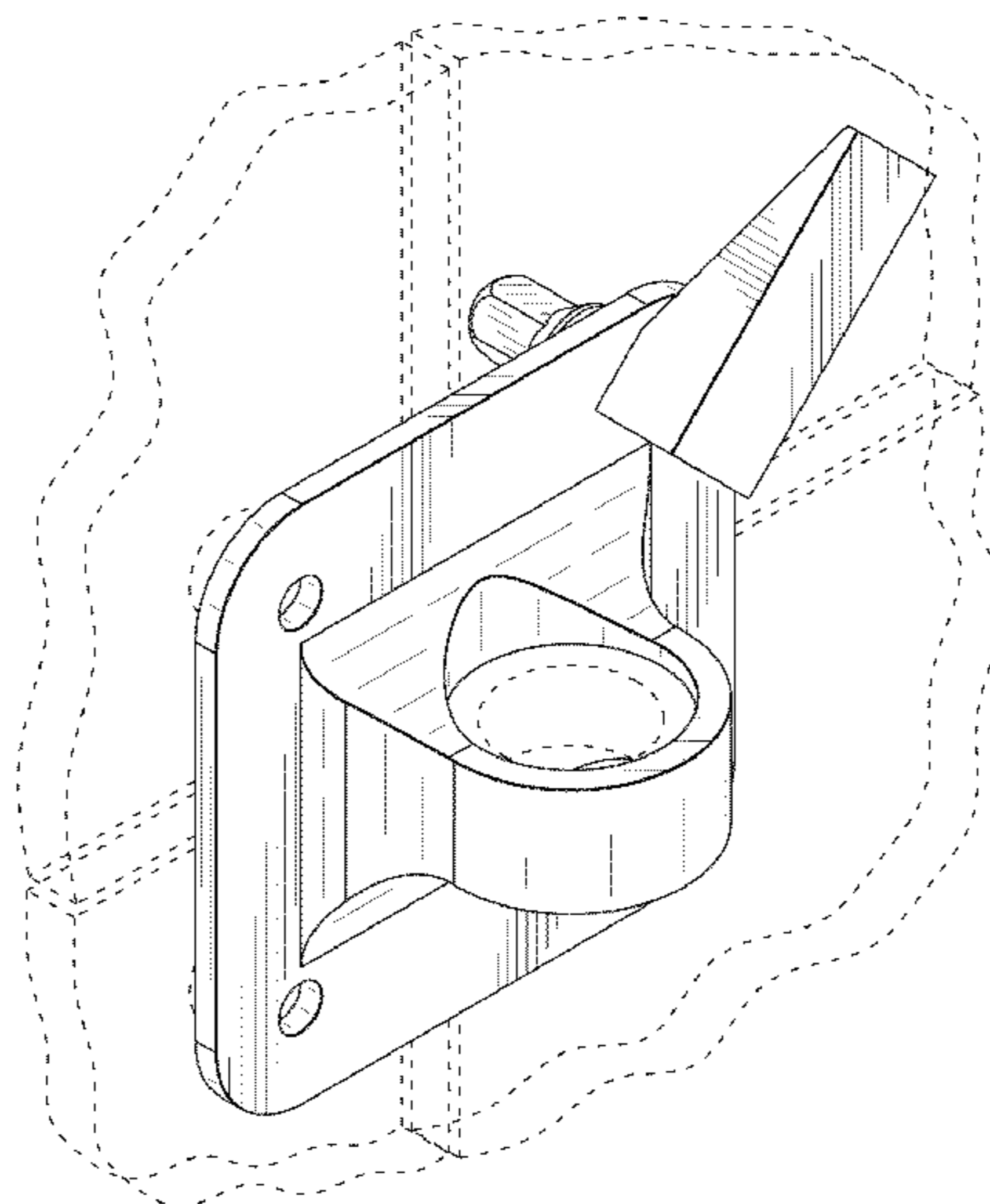
(57) **CLAIM**
A rotating display connector design, as shown and described.

DESCRIPTION

FIG. 1 is a rear top and right side perspective view of a rotating display connector, showing the new design; FIG. 2 is a left side elevation view thereof; FIG. 3 is a front top and left side perspective view thereof; FIG. 4 is a right side elevation view thereof; FIG. 5 is a rear elevation view thereof; FIG. 6 is a top plan view thereof; FIG. 7 is a front elevation view thereof; and, FIG. 8 is a bottom plan view thereof. The broken lines shown in the Figures are included to show unclaimed subject matter only and form no part of the claimed design.

1 Claim, 4 Drawing Sheets

(56) **References Cited**
U.S. PATENT DOCUMENTS
1,525,515 A * 2/1925 Socha 248/514
2,970,396 A 2/1961 Worrell
3,426,913 A 2/1969 Abatiell, Jr.
3,537,199 A 11/1970 Lawson
3,571,999 A 3/1971 Downing
3,593,474 A 7/1971 Neels



(56)

References Cited

U.S. PATENT DOCUMENTS

5,671,852 A 9/1997 Maharg
5,722,477 A 3/1998 Richter et al.
5,993,287 A 11/1999 Melashenko et al.
6,340,046 B1 1/2002 Basseches
6,370,803 B1 4/2002 Burquest
6,702,640 B1 3/2004 Park
6,718,709 B2 4/2004 Koutras et al.
D618,282 S * 6/2010 Kosir D20/43
7,874,090 B2 1/2011 Flagg
8,069,632 B2 12/2011 Li
D708,504 S * 7/2014 Kaplan D8/354

D709,203 S * 7/2014 Shikata D24/187
2002/0154789 A1 10/2002 Rodgers
2003/0000904 A1 1/2003 Lung et al.
2004/0089782 A1 * 5/2004 Eliason et al. 248/346.01
2007/0107853 A1 5/2007 Hsieh
2014/0183309 A1 * 7/2014 Pasho 248/205.1

OTHER PUBLICATIONS

PCT Notification, International Search Report and Written Opinion,
International Application No. PCT/US2014/011055, dated Jun. 2,
2014, 10 pages.

* cited by examiner

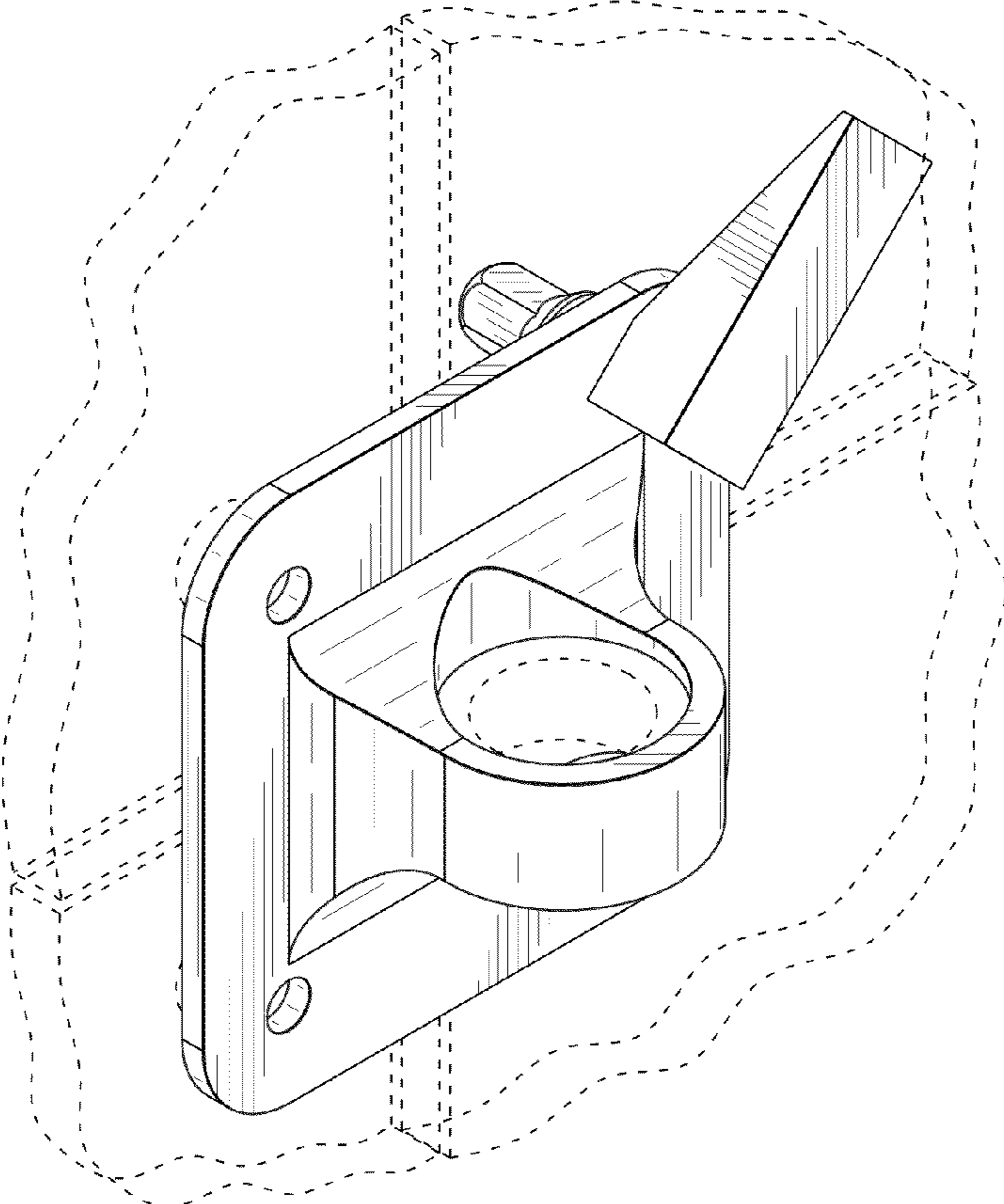


FIG. 1

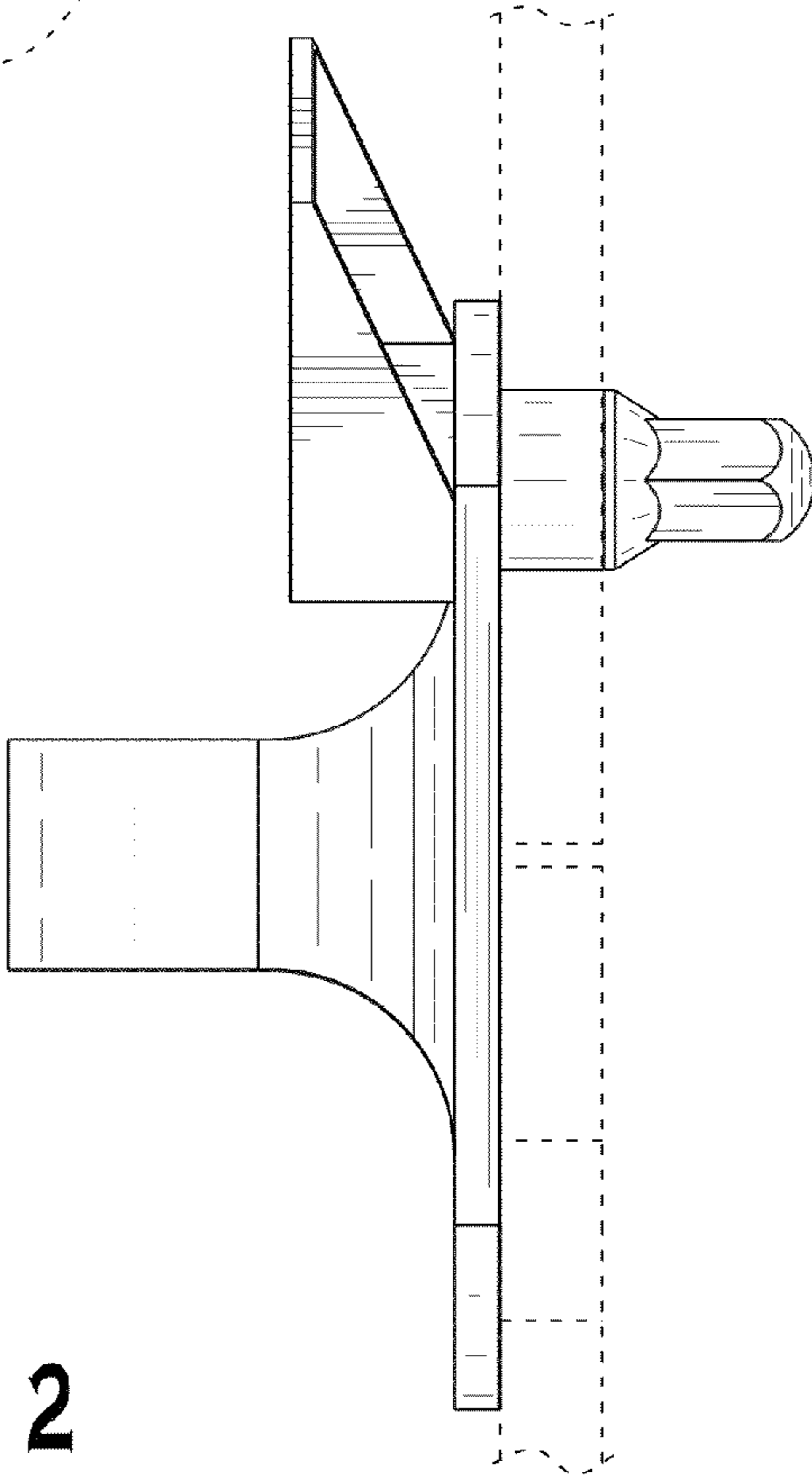


FIG. 2

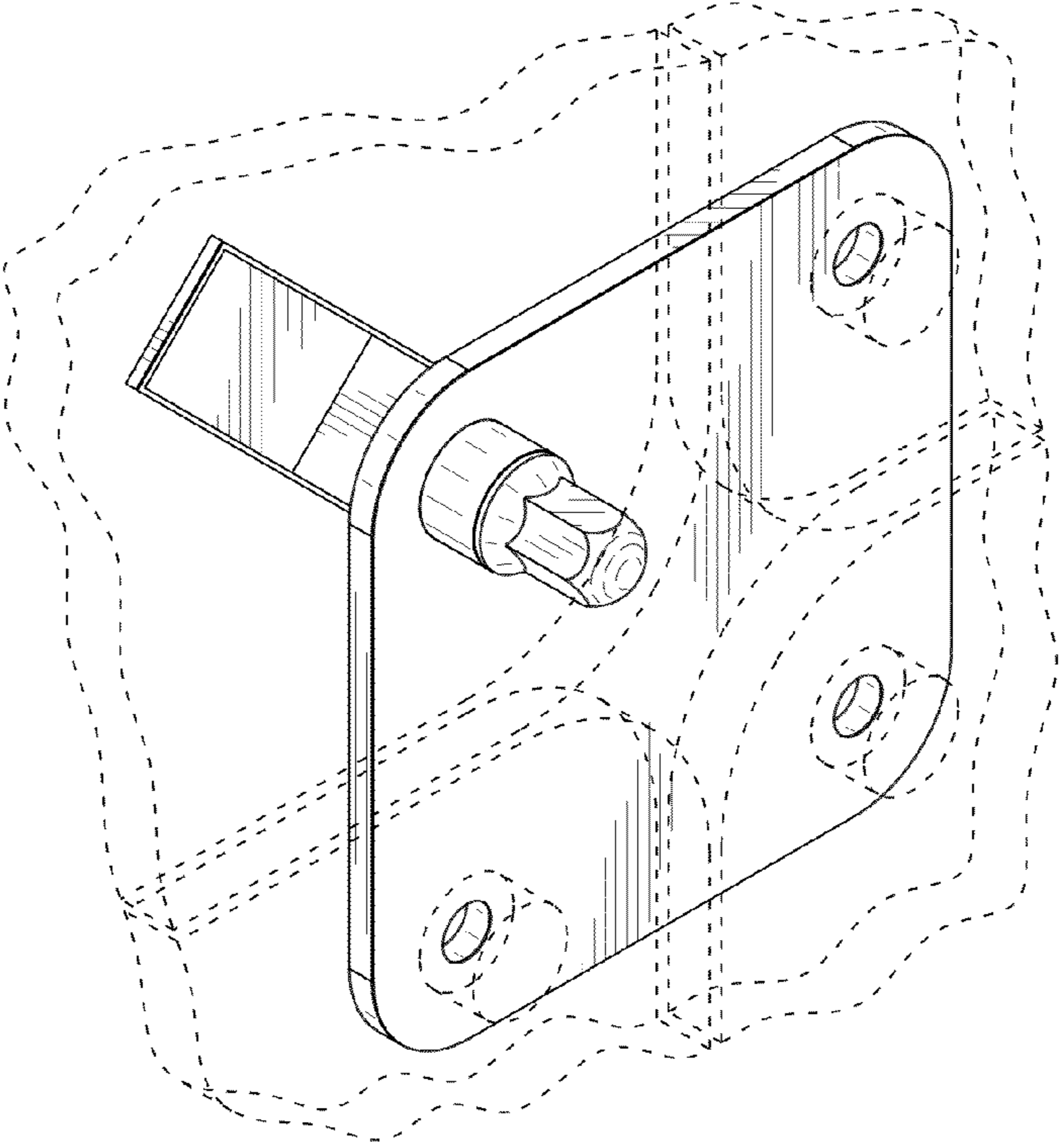


FIG. 3

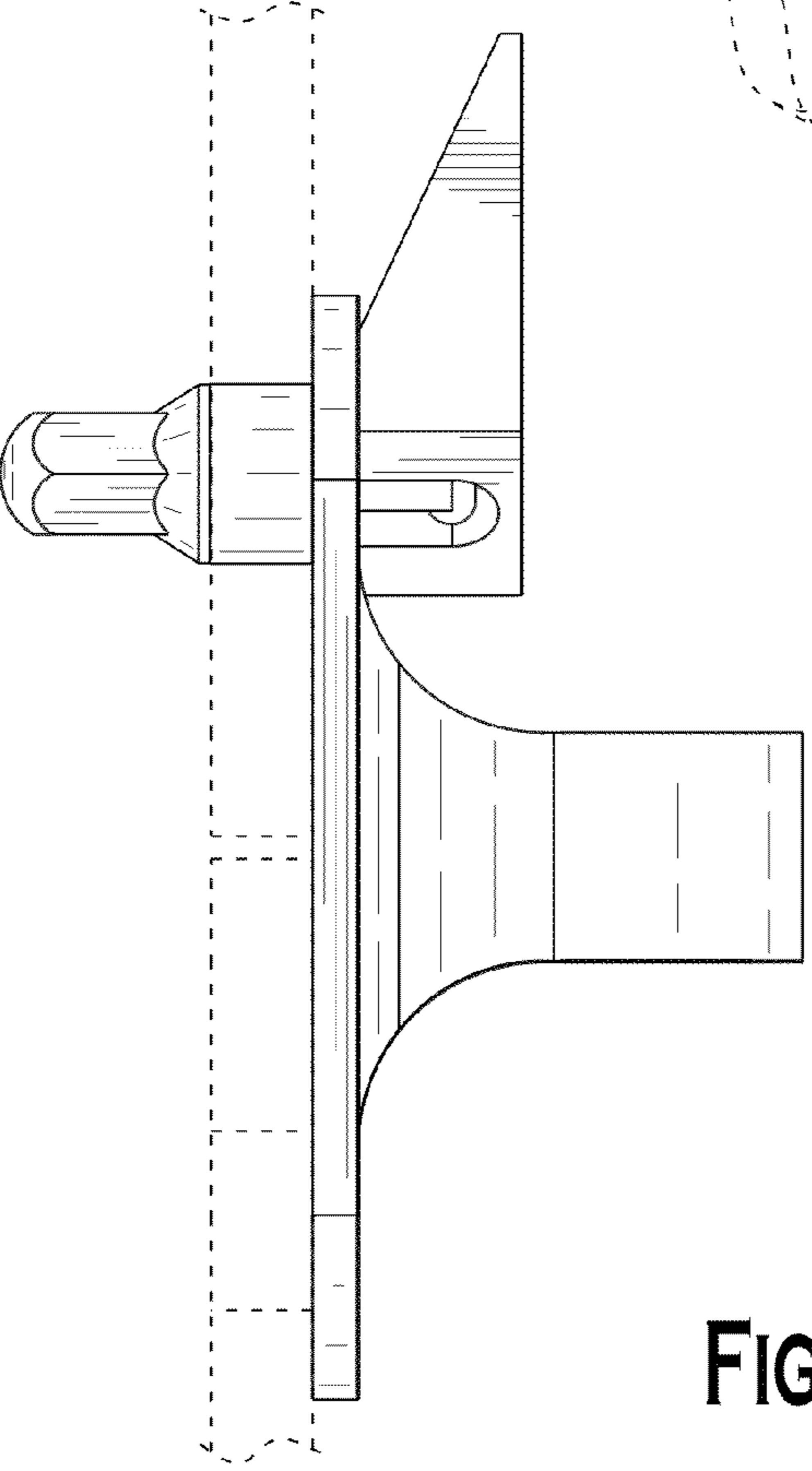


FIG. 4

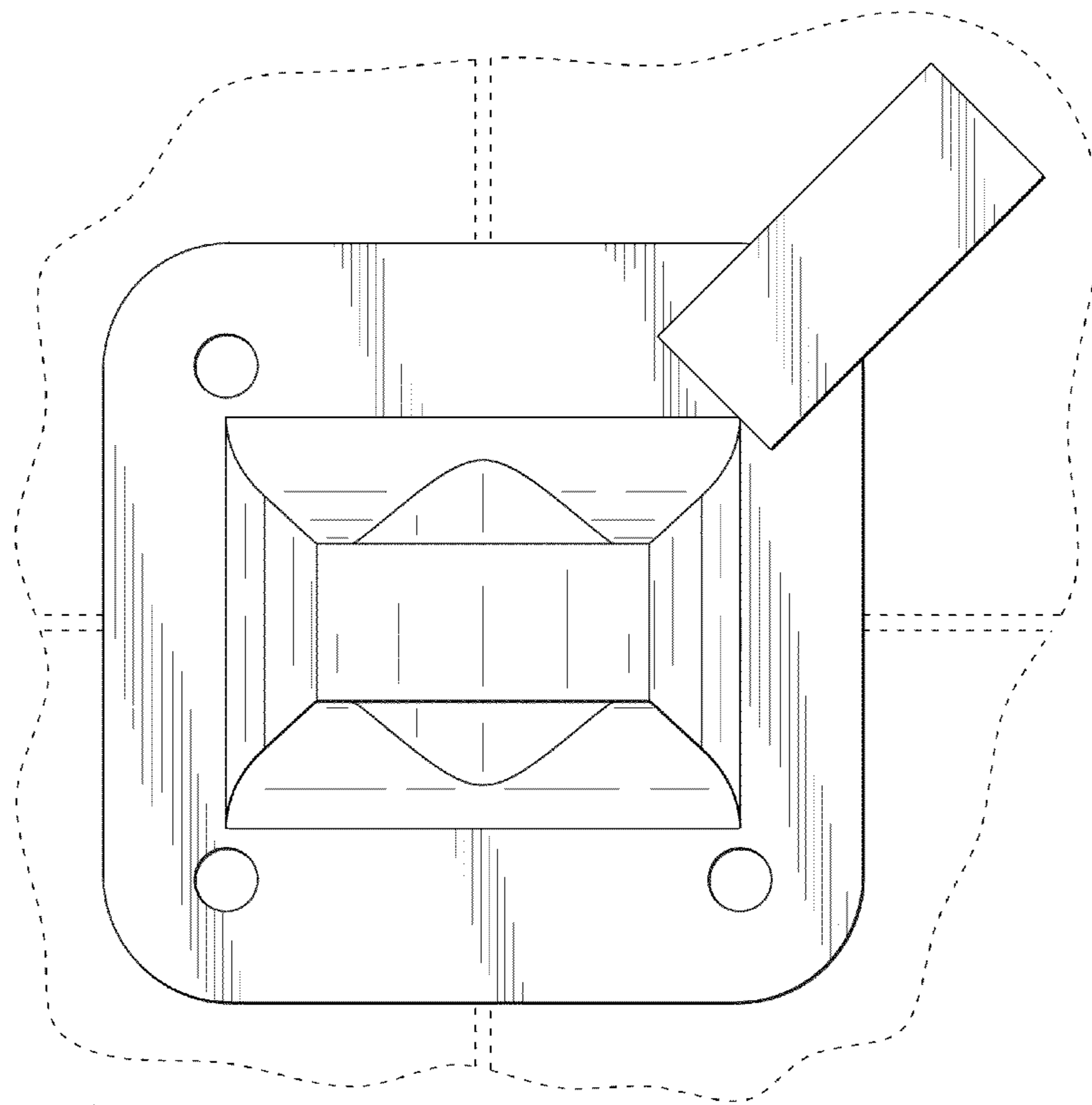


FIG. 5

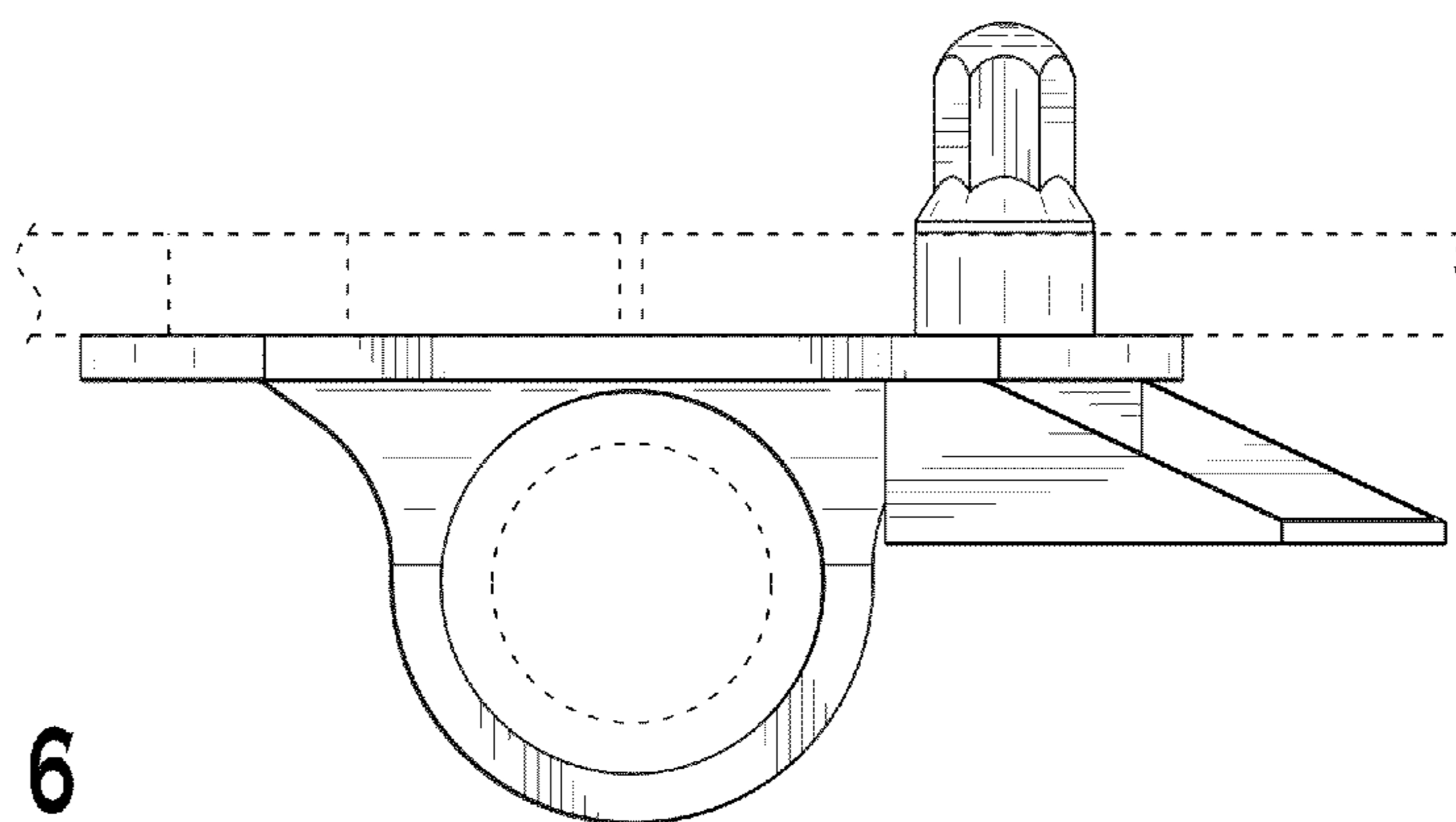


FIG. 6

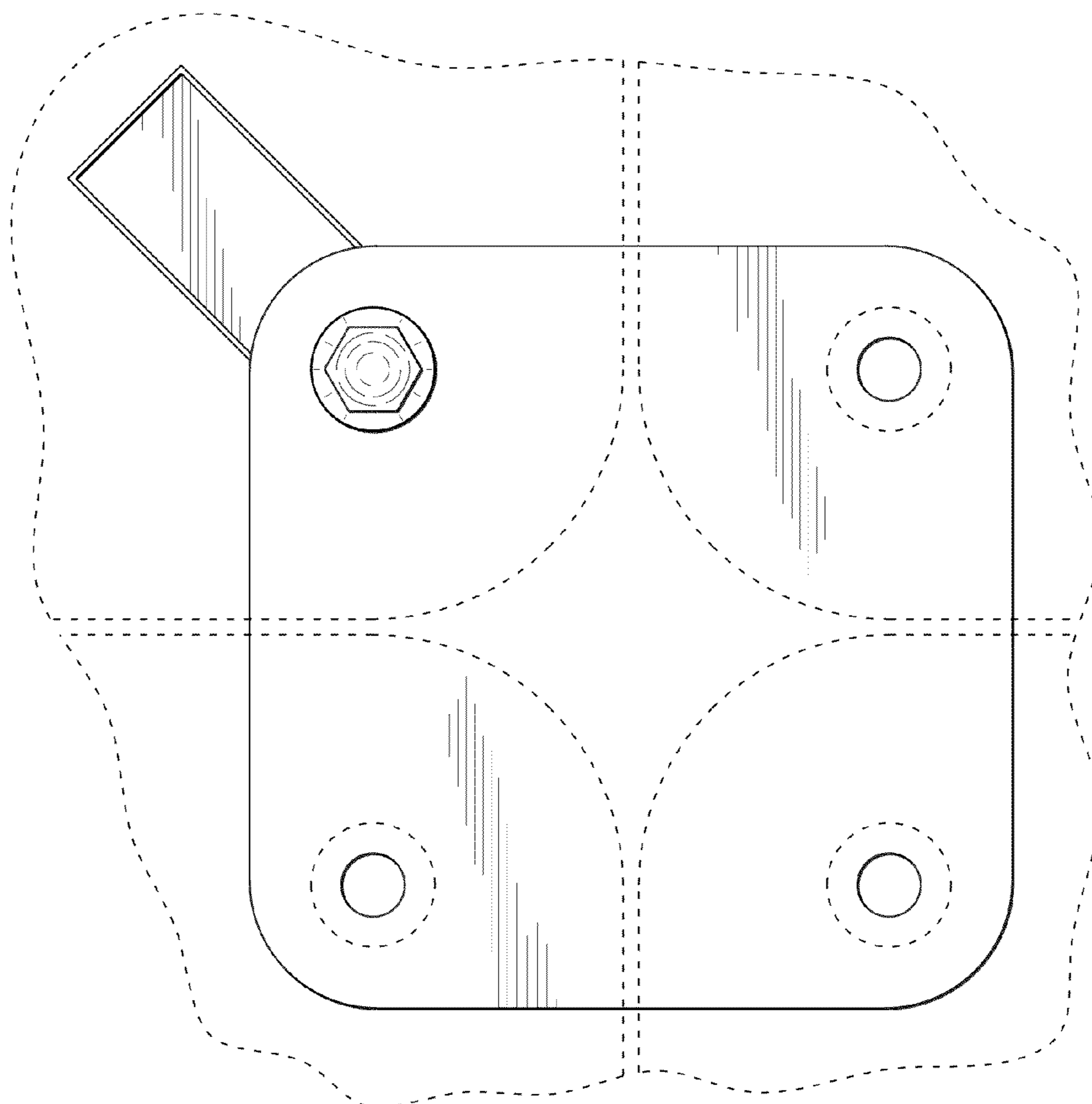


FIG. 7

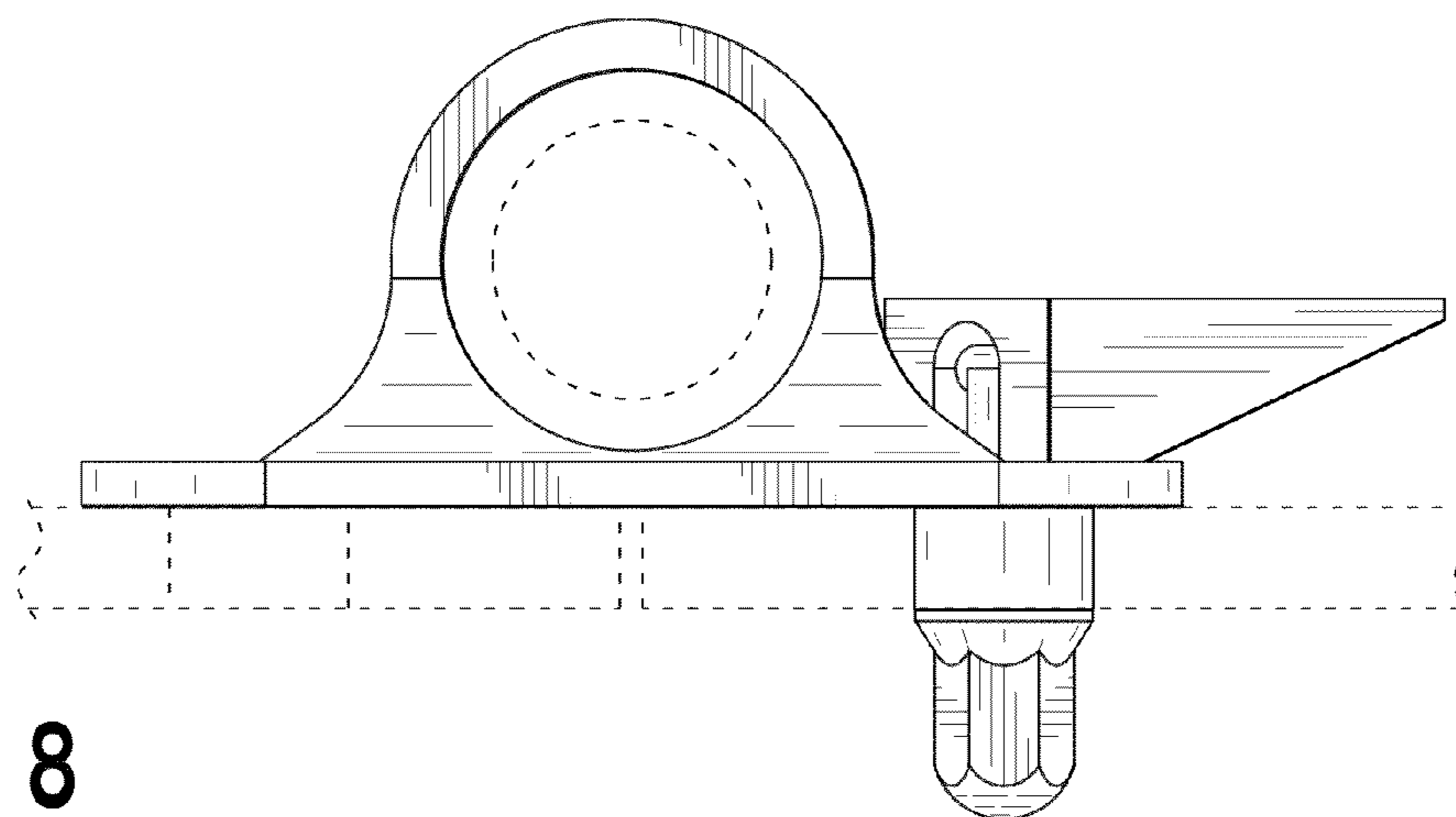


FIG. 8