



US00D723621S

(12) **United States Design Patent**
Heinrichs

(10) **Patent No.:** **US D723,621 S**
(45) **Date of Patent:** **** Mar. 3, 2015**

(54) **ELASTOMERIC LOOP ASSEMBLY**

(71) Applicant: **Bedford Industries, Inc.**, Worthington, MN (US)

(72) Inventor: **Curtis John Heinrichs**, Sibley, IA (US)

(73) Assignee: **Bedford Industries, Inc.**, Worthington, MN (US)

(**) Term: **14 Years**

(21) Appl. No.: **29/436,895**

(22) Filed: **Nov. 9, 2012**

(51) **LOC (10) Cl.** **19-08**

(52) **U.S. Cl.**

USPC **D20/22; D20/28; D20/43**

(58) **Field of Classification Search**

CPC G09F 3/00; G09F 3/02; G09F 3/04; G09F 3/06; G09F 3/08; G09F 3/14; G09F 3/16; G09F 3/20; G09F 3/202; G09F 3/205; G09F 2003/00; G09F 2003/0254; G09F 2003/0264; G09F 2003/0266; A45C 11/18; B42F 11/00; B42F 15/00; B42F 15/0041; B42F 15/0023; B65D 23/14; B65D 33/06
USPC D20/10, 19, 22-28, 40, 42, 43, 99; 40/6, 27, 27.5, 299.01, 610, 310, 316, 40/360, 446, 625, 626, 628, 629, 631, 638, 40/641, 661.01, 642.02, 649, 651, 655, 40/657, 661, 661.02, 661.04, 661.06, 40/661.08, 661.12, 664, 665, 666, 40/671-673, 675; D10/106.9; D3/328; 283/56, 71, 81; 229/74; 312/183, 184; 282/25

See application file for complete search history.

(56) **References Cited**

U.S. PATENT DOCUMENTS

92,895 A 7/1869 Southworth
(Continued)

FOREIGN PATENT DOCUMENTS

EP 1 136 971 9/2001

FR 2 634 574 1/1990

(Continued)

OTHER PUBLICATIONS

“ElastiTag” Dieline PDF Downloads/Dieline Index, publically available at least as of Nov. 11, 2010, http://web.archive.org/web/20101111173316/http://www.elastitag.com/ElastiTag_Level_4/dielines.shtml (4 pages).

Primary Examiner — Mary Ann Calabrese

(74) *Attorney, Agent, or Firm* — James L. Young; Westman, Champlin & Koehler, P.A.

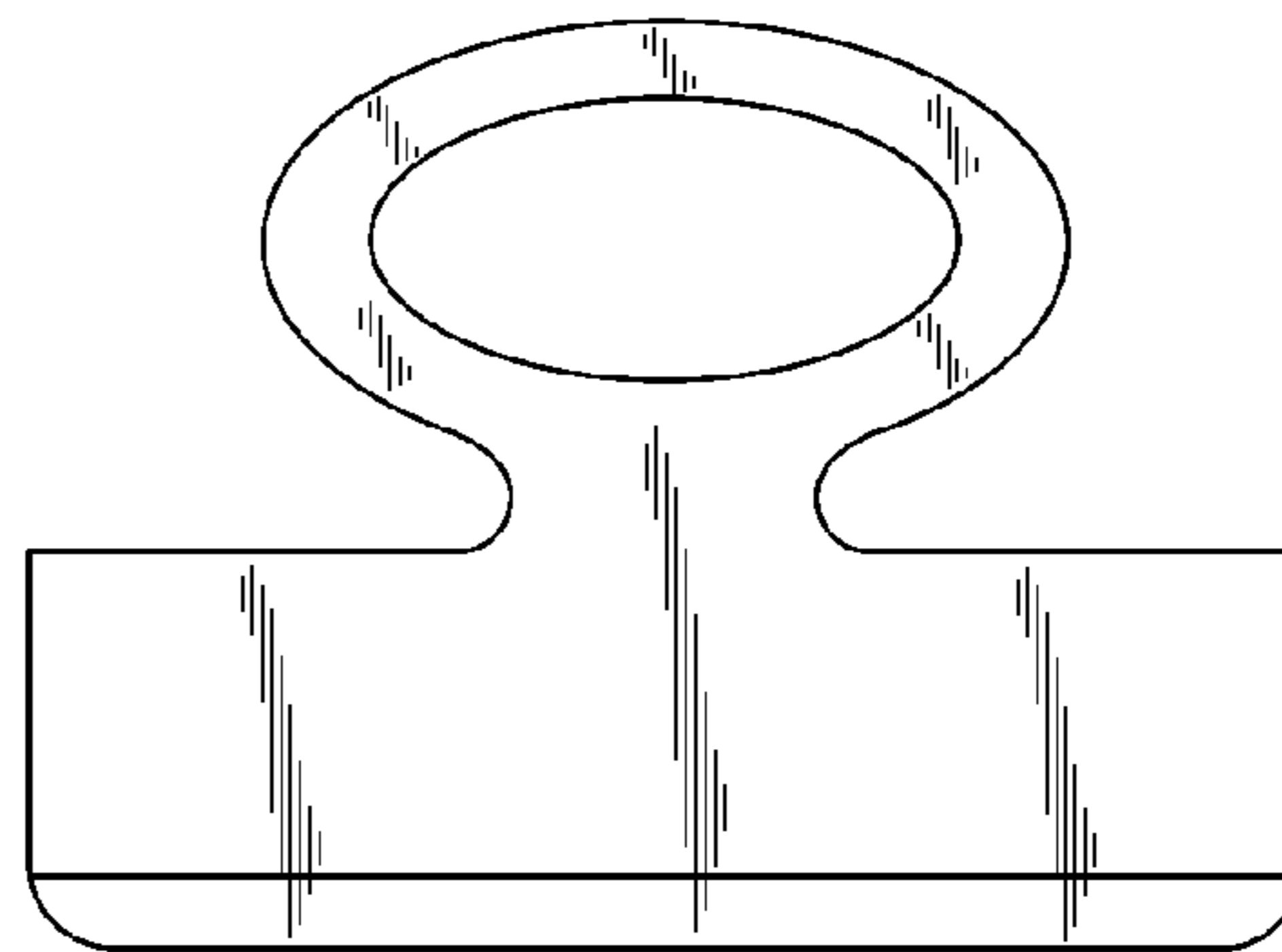
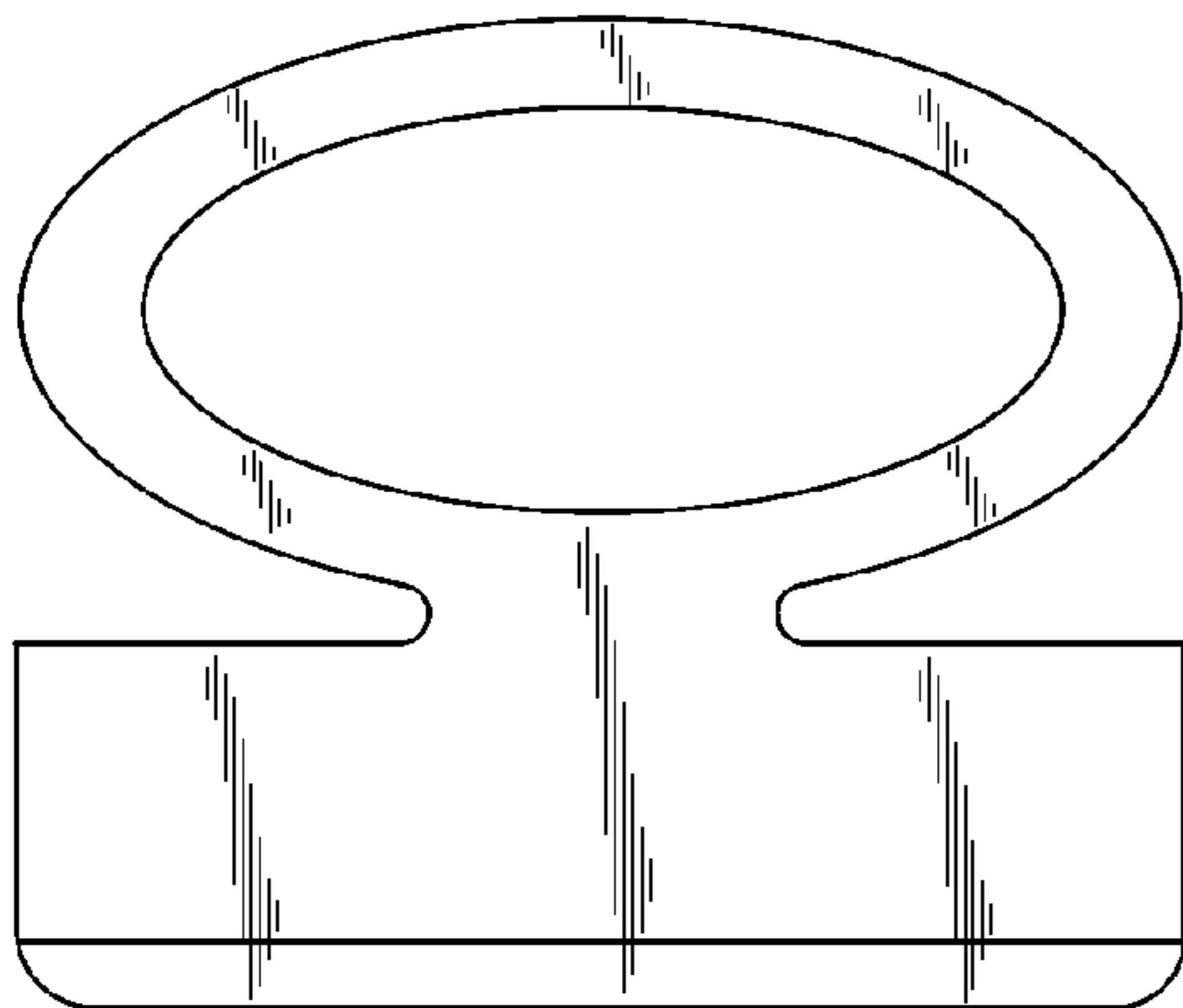
(57) **CLAIM**

The ornamental design for an elastomeric loop assembly, as shown and described.

DESCRIPTION

FIG. 1 is a front view of a first embodiment thereof;
FIG. 2 is a back view thereof;
FIG. 3 is a side view thereof, as taken from the left side of FIG. 1;
FIG. 4 is a side view thereof, as taken from the right side of FIG. 1;
FIG. 5 is a top view thereof;
FIG. 6 is a bottom view thereof;
FIG. 7 is a front view of a second embodiment thereof;
FIG. 8 is a back view thereof;
FIG. 9 is a side view thereof, as taken from the left side of FIG. 7;
FIG. 10 is a side view thereof, as taken from the right side of FIG. 7;
FIG. 11 is a top view thereof;
FIG. 12 is a bottom view thereof;
FIG. 13 is a front view of a third embodiment thereof;
FIG. 14 is a back view thereof;
FIG. 15 is a side view thereof; as taken from the left side of FIG. 13;
FIG. 16 is a side view thereof; as taken from the right side of FIG. 13;
FIG. 17 is a top view thereof; and,
FIG. 18 is a bottom view thereof.

1 Claim, 3 Drawing Sheets



(56)

References Cited

U.S. PATENT DOCUMENTS

109,263 A 11/1870 Southworth
 134,116 A 12/1872 West
 161,145 A 3/1875 Hutchinson
 212,578 A 2/1879 Smith
 224,958 A 2/1880 Rowland
 263,600 A 8/1882 Searing
 381,879 A 4/1888 Howard
 D28,619 S 5/1898 McFadden
 1,221,572 A 4/1917 Morton
 1,397,079 A 11/1921 Cohen
 1,477,123 A * 12/1923 Hopkins 40/310
 1,830,410 A 11/1931 Schaaf et al.
 1,832,239 A * 11/1931 Pedersen 312/184
 1,860,547 A * 5/1932 Marsh 40/310
 1,929,320 A 10/1933 Lulham
 D92,405 S * 6/1934 Klebanow D20/28
 1,984,559 A * 12/1934 Wilcox 229/74
 2,194,220 A 3/1940 Elder
 2,516,292 A 7/1950 Bennett
 2,669,047 A 2/1954 Rieger
 2,937,464 A 5/1960 Marshall
 3,077,683 A 2/1963 Jones
 3,164,250 A 1/1965 Paxton
 3,545,795 A 12/1970 Hertel
 3,548,906 A * 12/1970 Murphy 383/25
 3,602,957 A 9/1971 Chang
 3,621,809 A 11/1971 Paxton
 3,662,480 A 5/1972 Gilson, Jr. et al.
 3,749,622 A 7/1973 Sato et al.
 3,777,378 A 12/1973 Sant'Anselmo
 3,783,083 A 1/1974 Jenkins
 3,896,524 A 7/1975 Parker
 3,930,506 A 1/1976 Overend
 3,933,560 A 1/1976 Muttera
 3,955,656 A 5/1976 Kashinski
 4,119,449 A 10/1978 Gould et al.
 D251,121 S 2/1979 Smith
 4,267,654 A * 5/1981 Sato 40/649
 4,323,608 A 4/1982 Denny et al.
 4,341,303 A 7/1982 Britt
 4,390,095 A 6/1983 Cunningham
 4,407,082 A 10/1983 Stehouwer
 4,433,498 A 2/1984 Bienz
 D275,408 S * 9/1984 Maloney D20/43
 4,519,178 A 5/1985 Crabb, Jr.
 4,529,229 A 7/1985 Glibbery
 4,749,426 A 6/1988 Wyss
 4,779,367 A * 10/1988 Fast 40/657
 5,018,286 A 5/1991 Zahner
 5,087,306 A 2/1992 Cheung et al.
 5,131,614 A 7/1992 Garcia et al.
 5,207,746 A 5/1993 Jones
 D338,195 S 8/1993 Sugarman
 RE34,366 E 9/1993 Instance
 5,248,164 A 9/1993 Lepretre
 5,279,019 A 1/1994 Knickle
 5,322,724 A 6/1994 Levens
 5,348,781 A 9/1994 Koblella
 5,367,752 A 11/1994 Petty
 5,388,739 A 2/1995 Gargan

D359,756 S * 6/1995 Ely D20/28
 5,467,897 A 11/1995 Williams
 5,531,696 A 7/1996 Menes
 5,617,656 A 4/1997 Ludlow et al.
 D385,581 S 10/1997 Linz
 D386,211 S 11/1997 Taparuskas, Jr.
 5,683,194 A 11/1997 Emmel et al.
 5,697,177 A 12/1997 Ludlow et al.
 5,700,537 A 12/1997 Instance
 5,713,467 A 2/1998 Kao
 5,732,495 A 3/1998 Lowe
 5,733,652 A 3/1998 Stowman et al.
 5,778,583 A 7/1998 Larsen
 5,866,219 A 2/1999 McClure et al.
 5,913,619 A 6/1999 Lowe
 6,024,225 A 2/2000 Van der Donk et al.
 6,058,639 A 5/2000 Tinklenberg et al.
 6,076,669 A 6/2000 Ling
 6,116,653 A 9/2000 Oberholzer et al.
 6,146,731 A 11/2000 Tanoto
 6,270,834 B1 8/2001 Burrows
 6,271,631 B1 8/2001 Burrows
 6,279,255 B1 8/2001 Larsen
 6,355,403 B1 3/2002 Bourdelais et al.
 6,378,700 B1 4/2002 Tong
 6,381,890 B1 5/2002 Sjostedt
 6,413,122 B2 7/2002 Fujioka
 6,449,886 B1 9/2002 Gray
 D494,066 S 8/2004 Liu
 D501,892 S 2/2005 Perry
 6,991,261 B2 1/2006 Dronzek, Jr. et al.
 D532,049 S 11/2006 Ludlow
 7,281,345 B2 10/2007 Ludlow et al.
 7,836,622 B1 * 11/2010 King et al. 40/665
 7,941,953 B2 5/2011 Ludlow
 8,011,127 B2 9/2011 Ludlow
 D712,154 S * 9/2014 Schiller et al. D3/328
 2003/0096076 A1 5/2003 Allison
 2003/0150919 A1 8/2003 Blank
 2005/0138854 A1 6/2005 Simmons
 2005/0166439 A1 8/2005 Ludlow et al.
 2005/0173073 A1 8/2005 Chernoff
 2005/0255277 A1 11/2005 Syron
 2006/0086028 A1 4/2006 Vaughan
 2006/0147668 A1 7/2006 Hirose et al.
 2006/0272185 A1 12/2006 Malama et al.
 2008/0005948 A1 * 1/2008 Ludlow et al. 40/665
 2009/0188144 A1 7/2009 Ludlow
 2010/0139133 A1 * 6/2010 Adams 40/299.01
 2012/0153109 A1 6/2012 Milbrandt
 2012/0244325 A1 9/2012 Maltas
 2012/0311899 A1 * 12/2012 Mathewson et al. 40/310
 2013/0059107 A1 3/2013 Ludlow

FOREIGN PATENT DOCUMENTS

GB 2 255 958 11/1992
 GB 2 382 810 6/2003
 GB 2 405 854 3/2005
 NL 1016806 6/2002
 WO 98/24086 6/1998
 WO 2007-084119 7/2007

* cited by examiner

FIG. 5

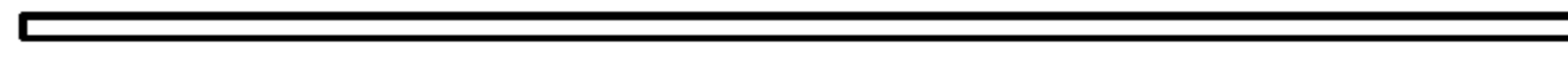


FIG. 3



FIG. 1

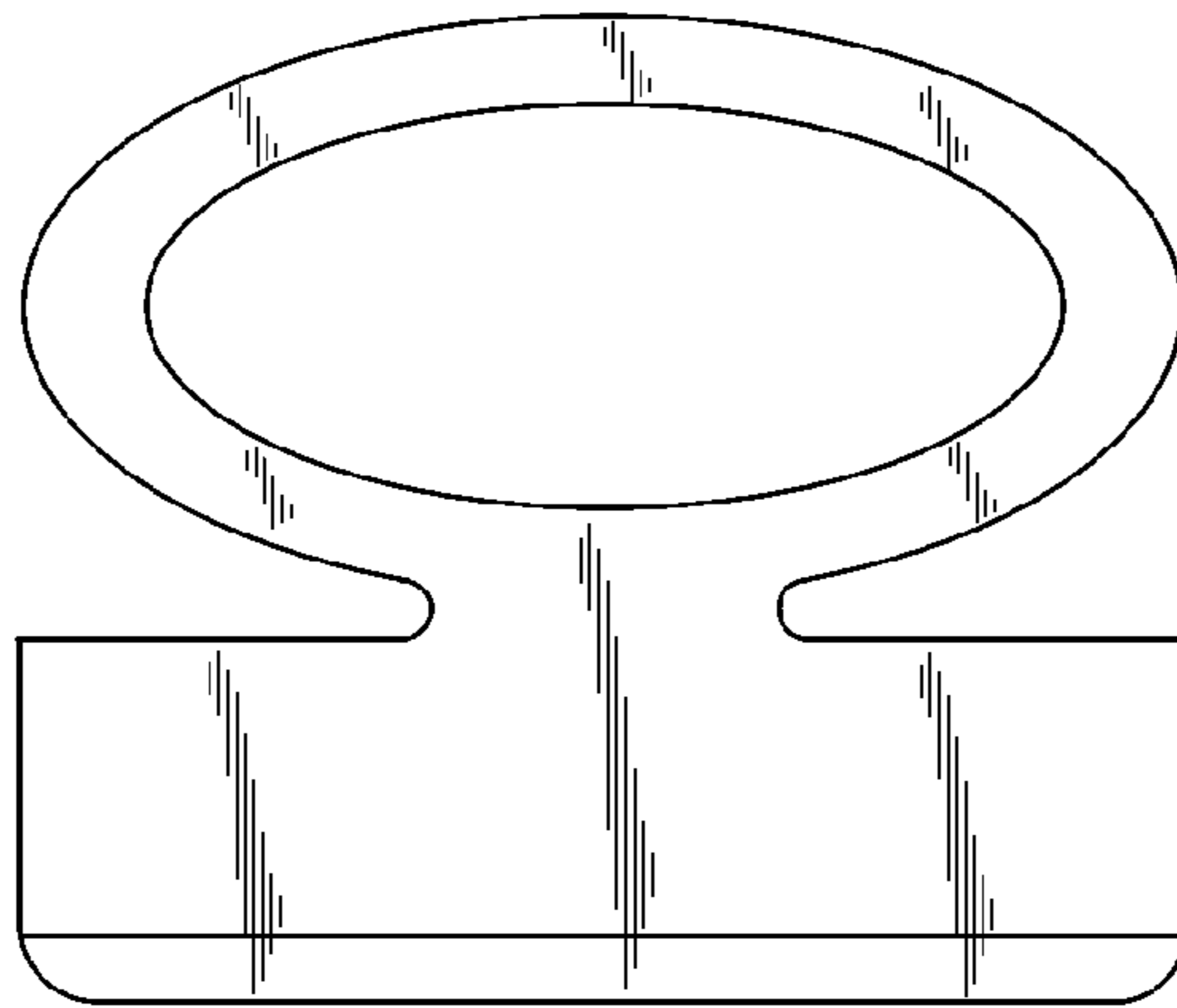


FIG. 4



FIG. 6

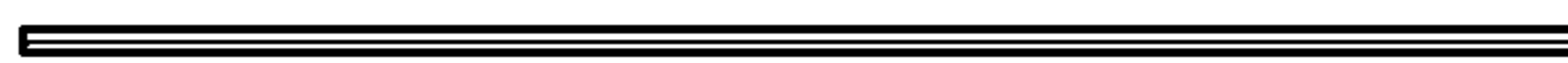


FIG. 2

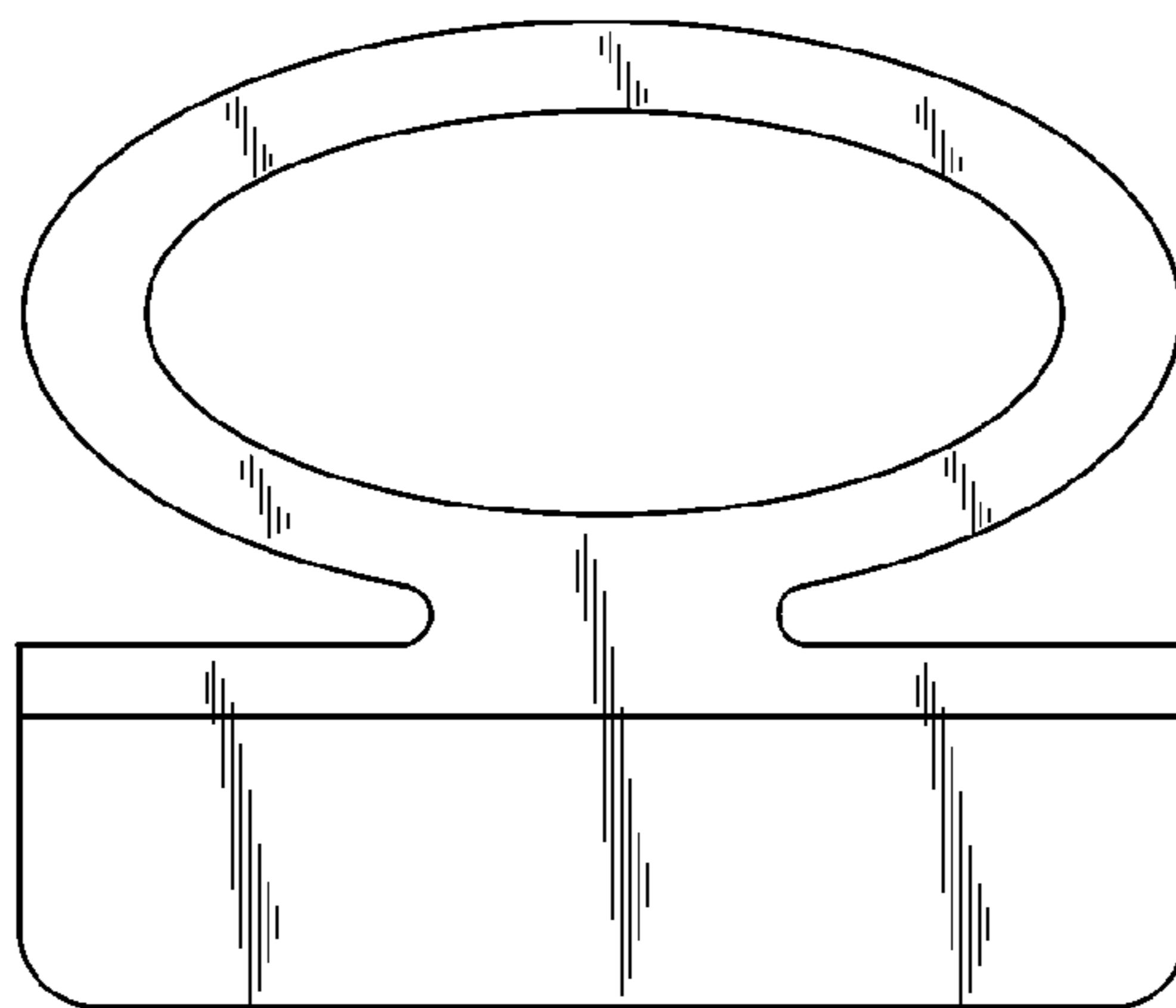


FIG. 11

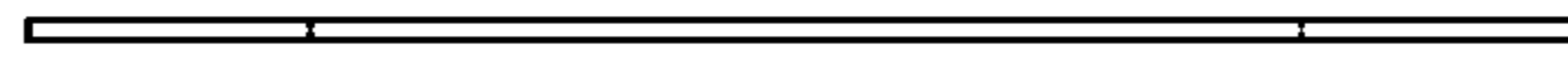


FIG. 9



FIG. 7

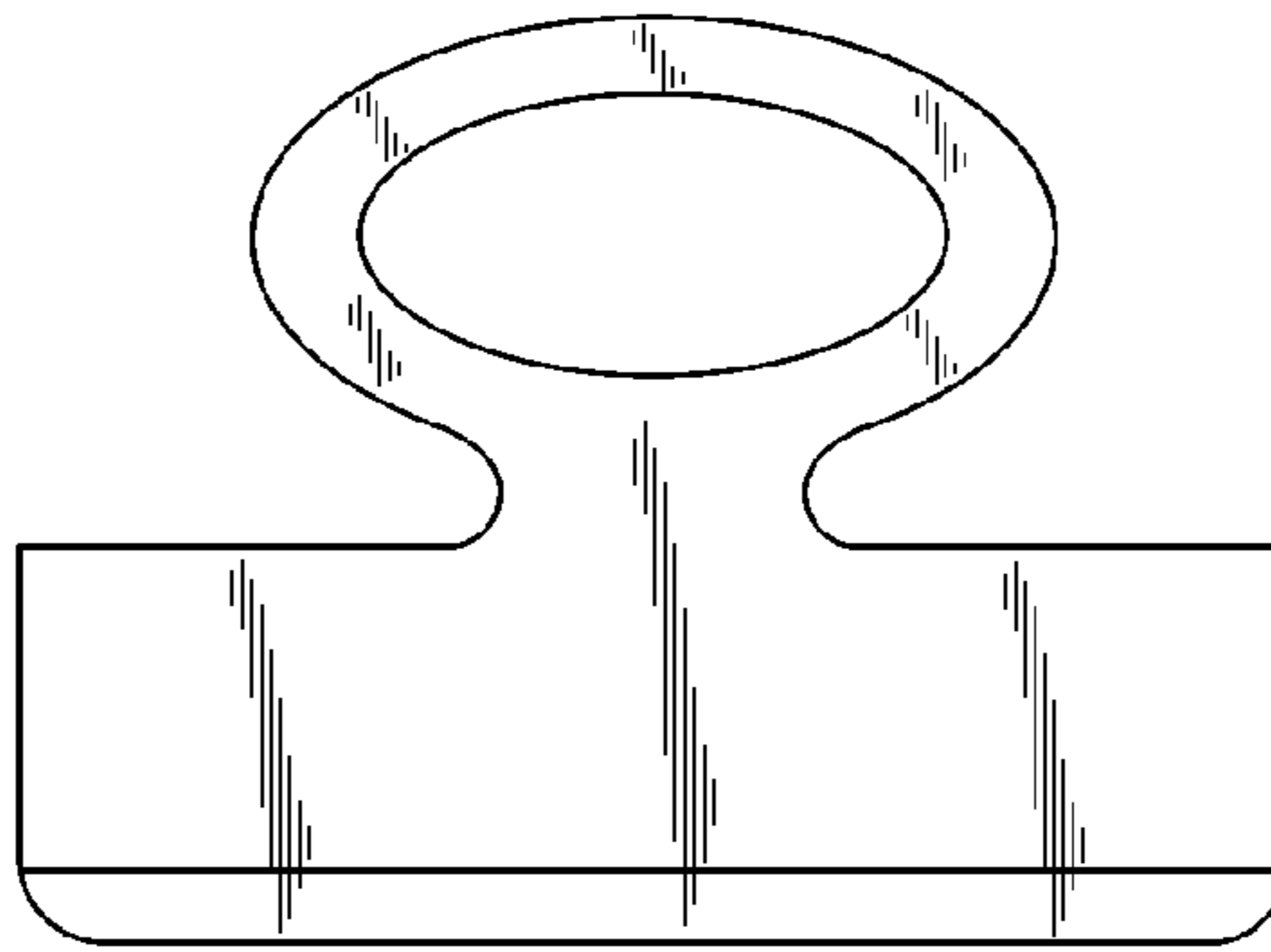


FIG. 10



FIG. 12



FIG. 8

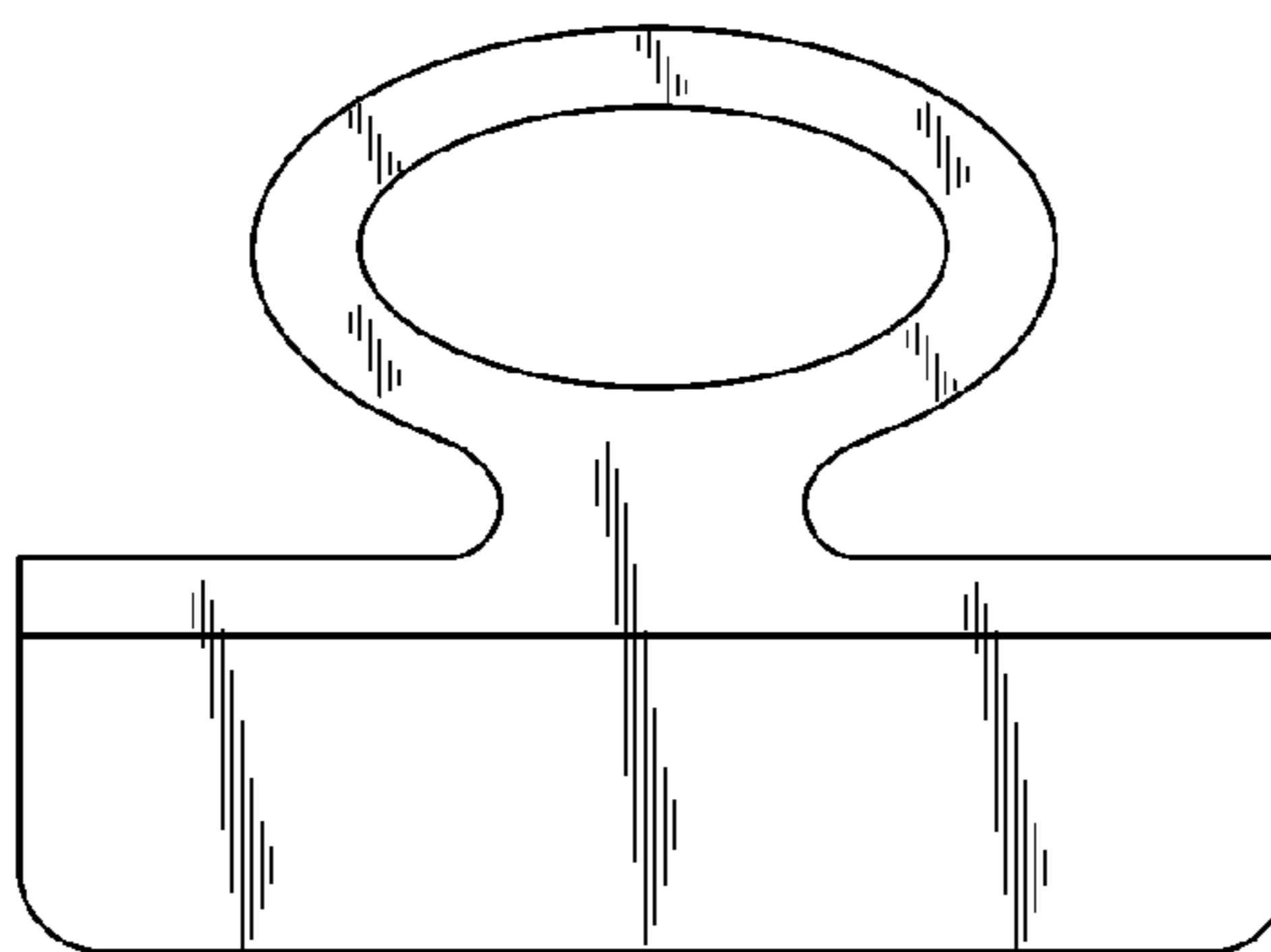


FIG. 15



FIG. 17



FIG. 13

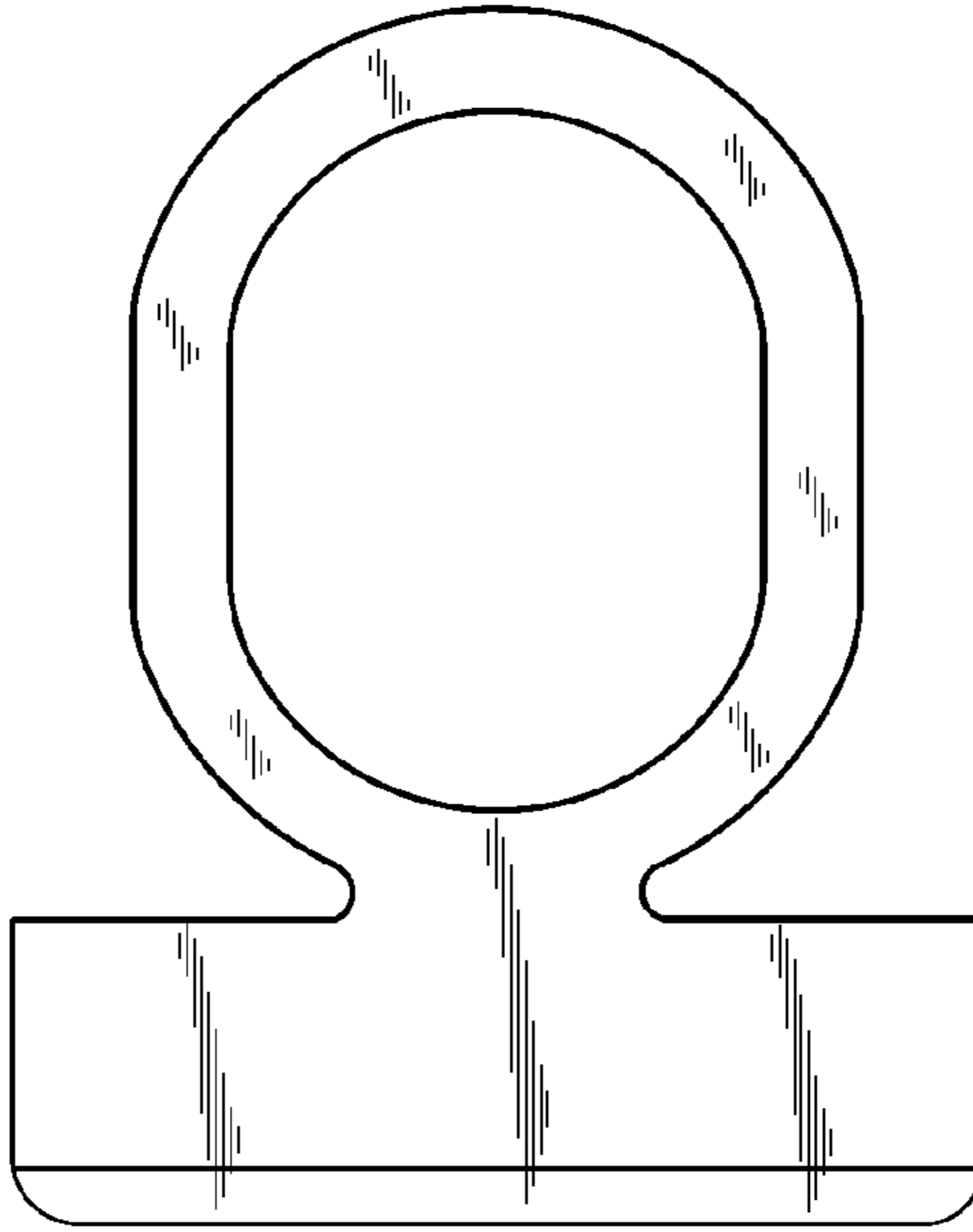


FIG. 16



FIG. 18



FIG. 14

