



US00D723619S

(12) **United States Design Patent**
Dill-Schmidt

(10) **Patent No.:** **US D723,619 S**
(45) **Date of Patent:** **** Mar. 3, 2015**

(54) **MEMO HOLDER**

(71) Applicant: **Janice Dill-Schmidt**, Valencia, CA (US)

(72) Inventor: **Janice Dill-Schmidt**, Valencia, CA (US)

(**) Term: **14 Years**

(21) Appl. No.: **29/497,275**

(22) Filed: **Jul. 22, 2014**

D163,586	S	*	6/1951	Dingeldien	D19/21
2,945,594	A	*	7/1960	Parker	211/46
3,218,743	A	*	11/1965	Shneider	40/500
D241,344	S	*	9/1976	Gidos	D19/77
4,365,434	A	*	12/1982	Doyel	40/530
D312,273	S	*	11/1990	Rich	D19/20
4,982,683	A	*	1/1991	Earnest, Jr.	116/63 P
5,291,677	A	*	3/1994	Samson et al.	40/494
D373,516	S	*	9/1996	Curcio	D7/631
D438,906	S	*	3/2001	Ritchey	D19/90
D571,407	S	*	6/2008	Dean	D19/91
2013/0125432	A1	*	5/2013	Dill-Schmidt	40/530
2014/0173952	A1	*	6/2014	Dill-Schmidt	40/533

Related U.S. Application Data

(63) Continuation of application No. 14/192,708, filed on Feb. 27, 2014, now abandoned, which is a continuation of application No. 13/747,017, filed on Jan. 22, 2013, now abandoned, which is a continuation of application No. 13/298,654, filed on Nov. 17, 2011, now abandoned.

(51) **LOC (10) Cl.** **19-02**

(52) **U.S. Cl.**
USPC **D19/91**

(58) **Field of Classification Search**
CPC A47G 1/14; G09F 11/06; B42F 17/28
USPC D19/75-80, 86, 87, 89-92, 20-25;
206/215, 425, 556, 557; 211/10, 11,
211/42, 45, 50, 88.01, 126.1; D21/21, 41;
40/107, 111, 358, 377, 494, 530, 536
See application file for complete search history.

(56) **References Cited**

U.S. PATENT DOCUMENTS

D35,047	S	*	9/1901	Kampfe	D20/41
RE16,868	E	*	2/1928	Anderson	40/607.1

* cited by examiner

Primary Examiner — Elizabeth Albert

(74) *Attorney, Agent, or Firm* — Fernando Hale & Chang LLP

(57) **CLAIM**

The ornamental design for a memo holder, as shown and described.

DESCRIPTION

FIG. 1 is a perspective view of a memo holder showing my new design;
FIG. 2 is a front view of the memo holder;
FIG. 3 is a top view of FIG. 2;
FIG. 4 is a side view of FIG. 2;
FIG. 5 is a side view of FIG. 1; and,
FIG. 6 is a bottom view of FIGS. 1 and 2.
The broken lines in the drawings are included to show portions of the memo holder that form no part of the claimed design.

1 Claim, 2 Drawing Sheets

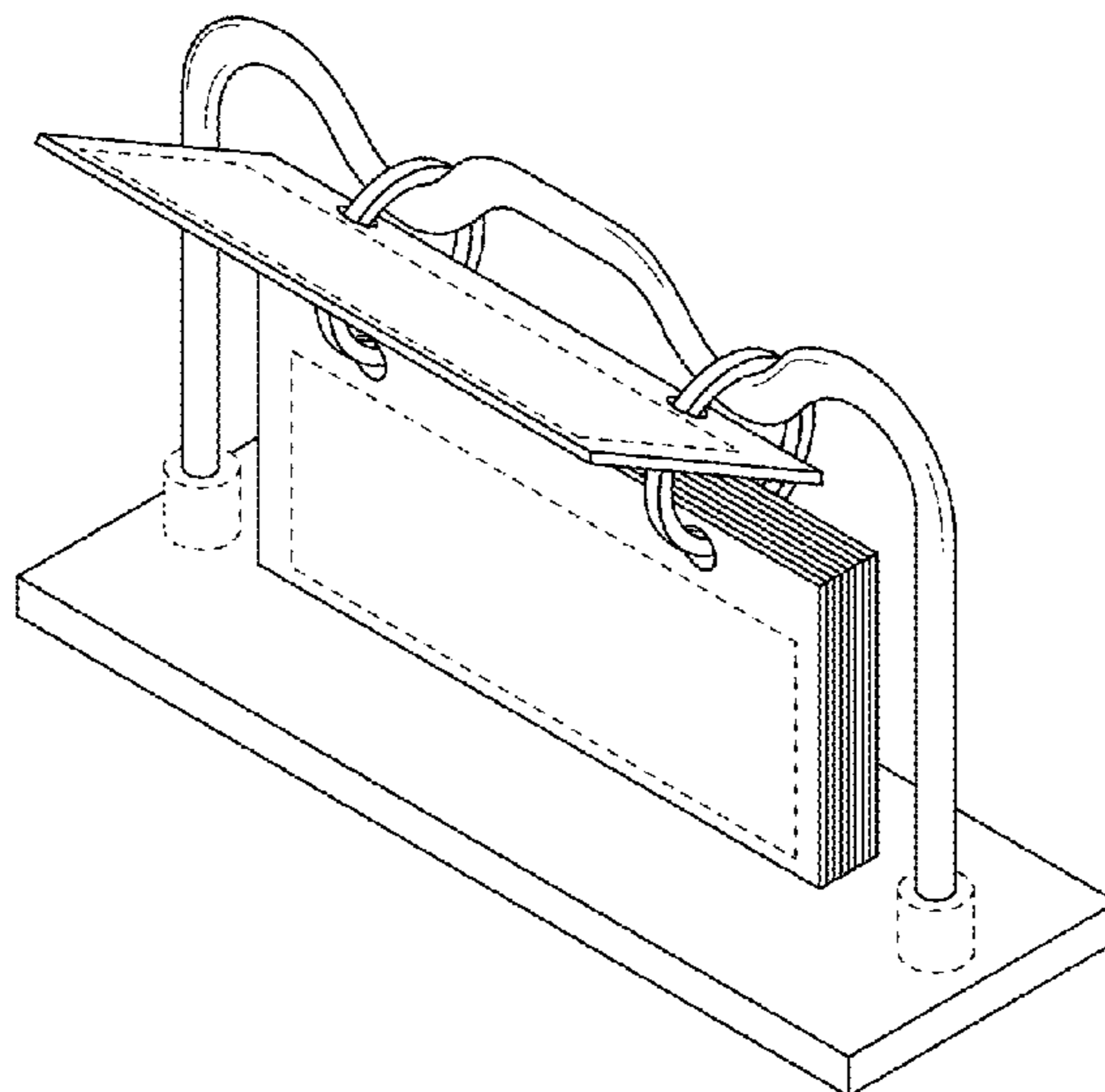


FIG. 1

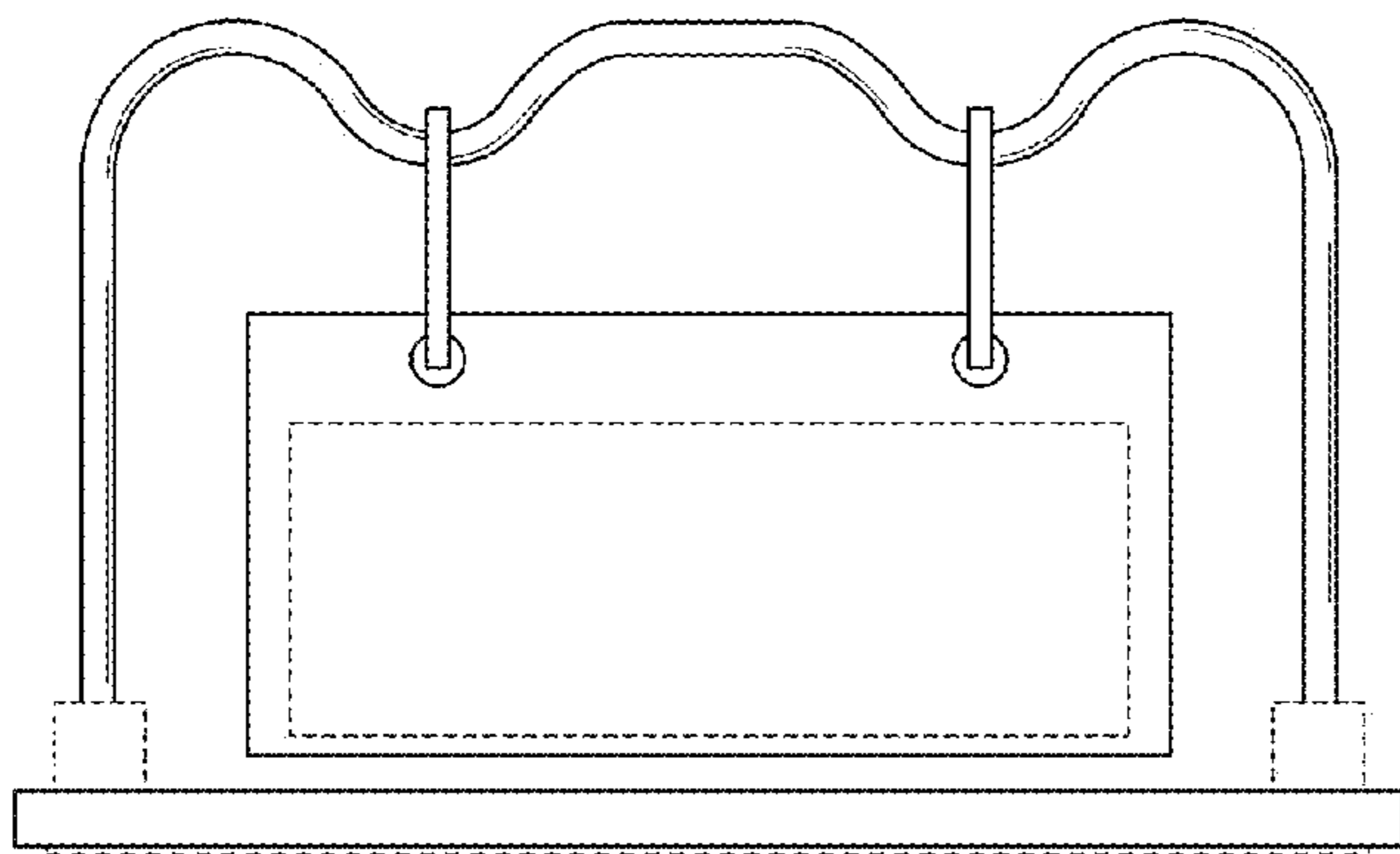
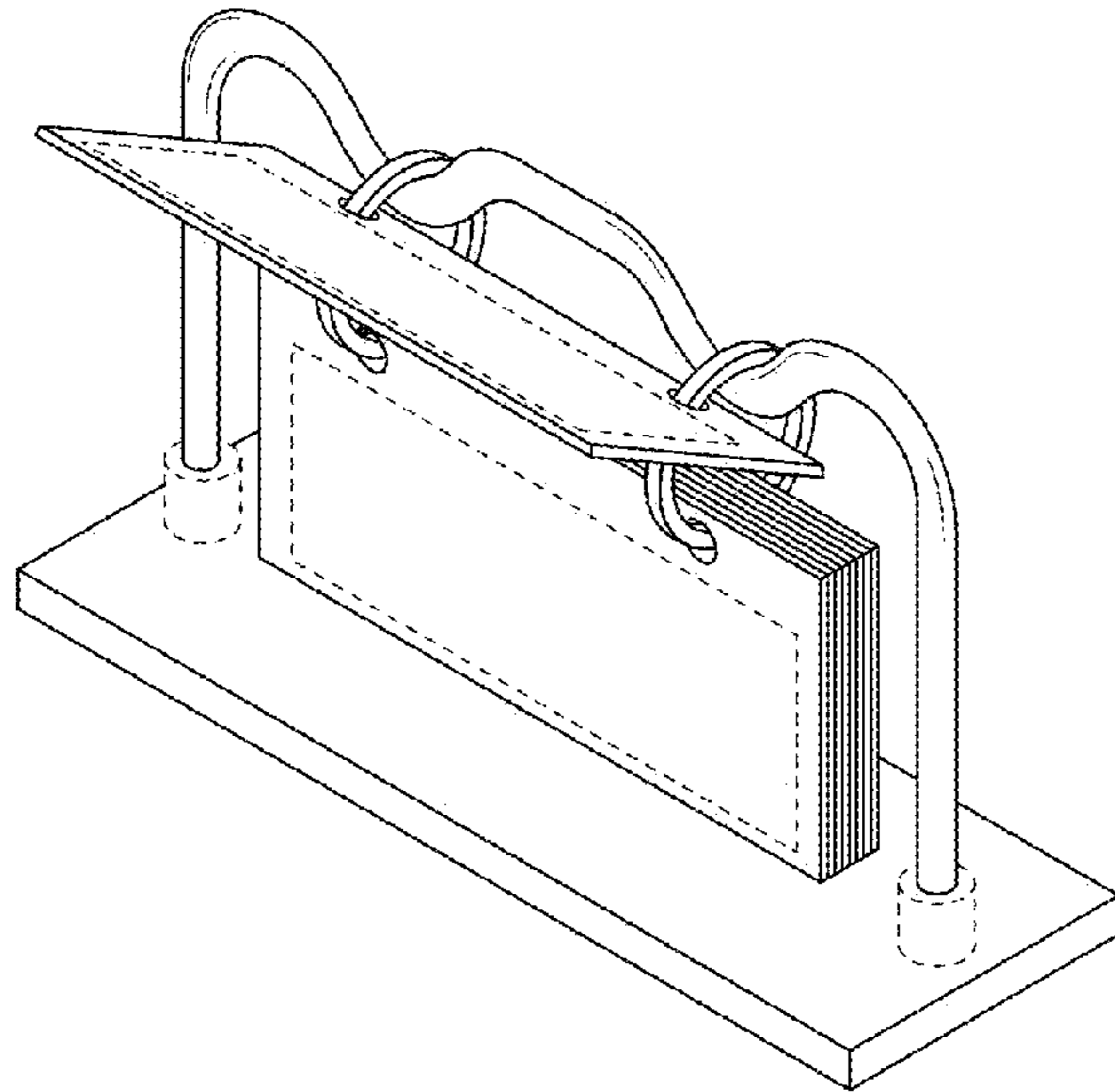
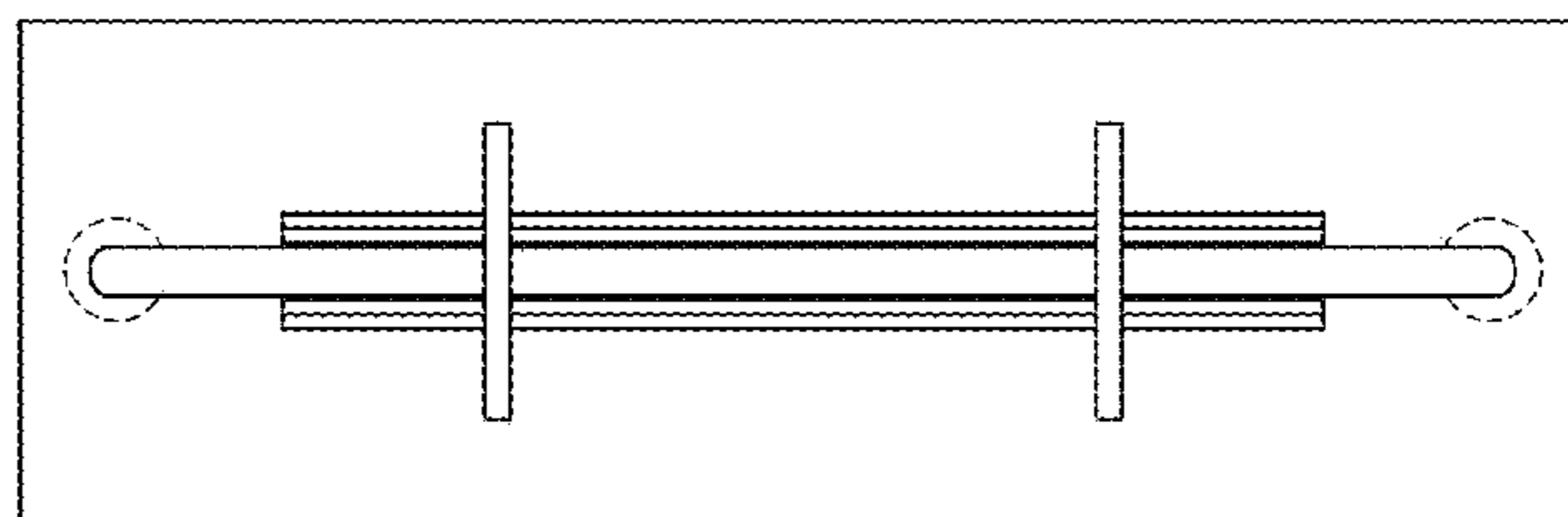


FIG. 2

FIG. 3



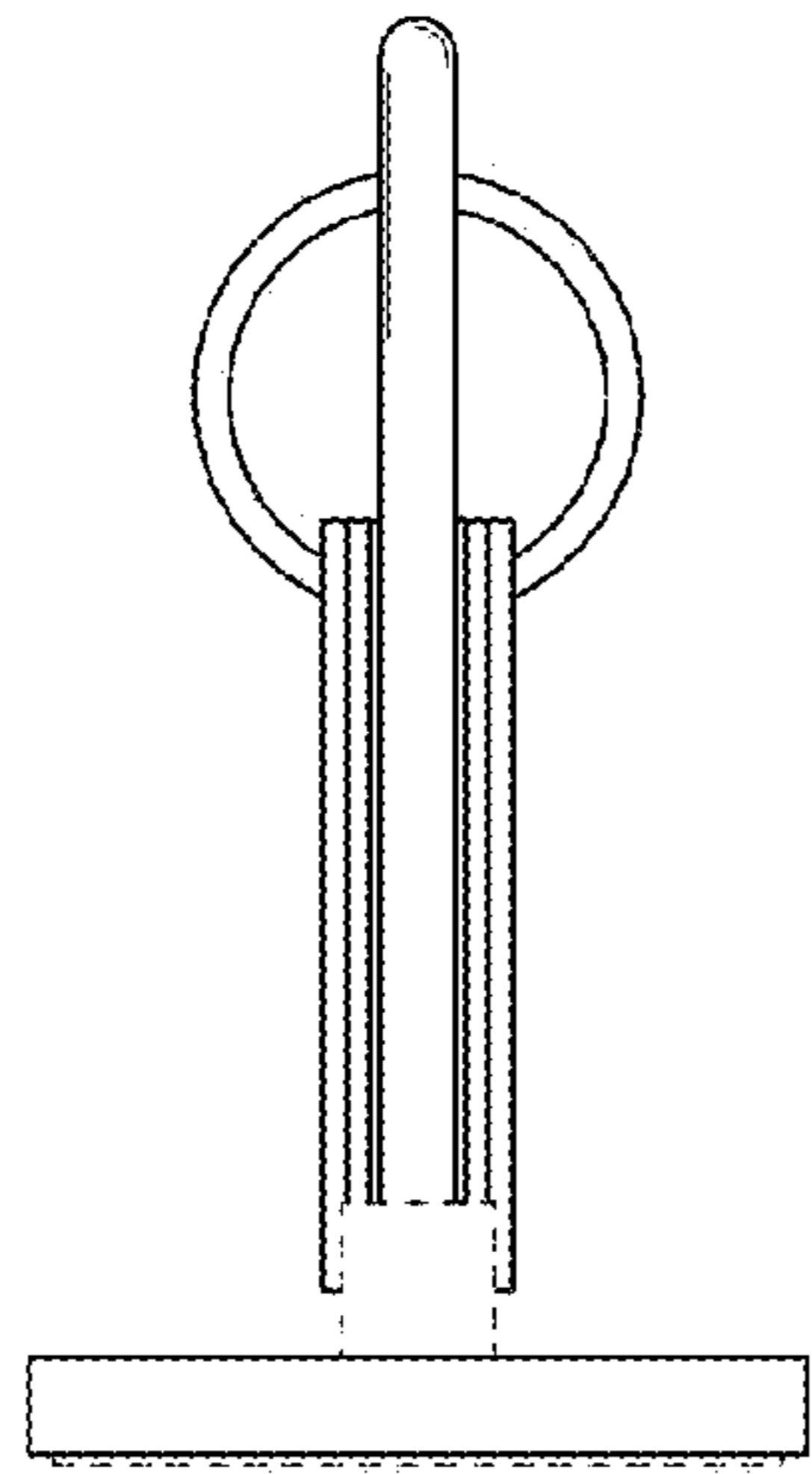


FIG. 4

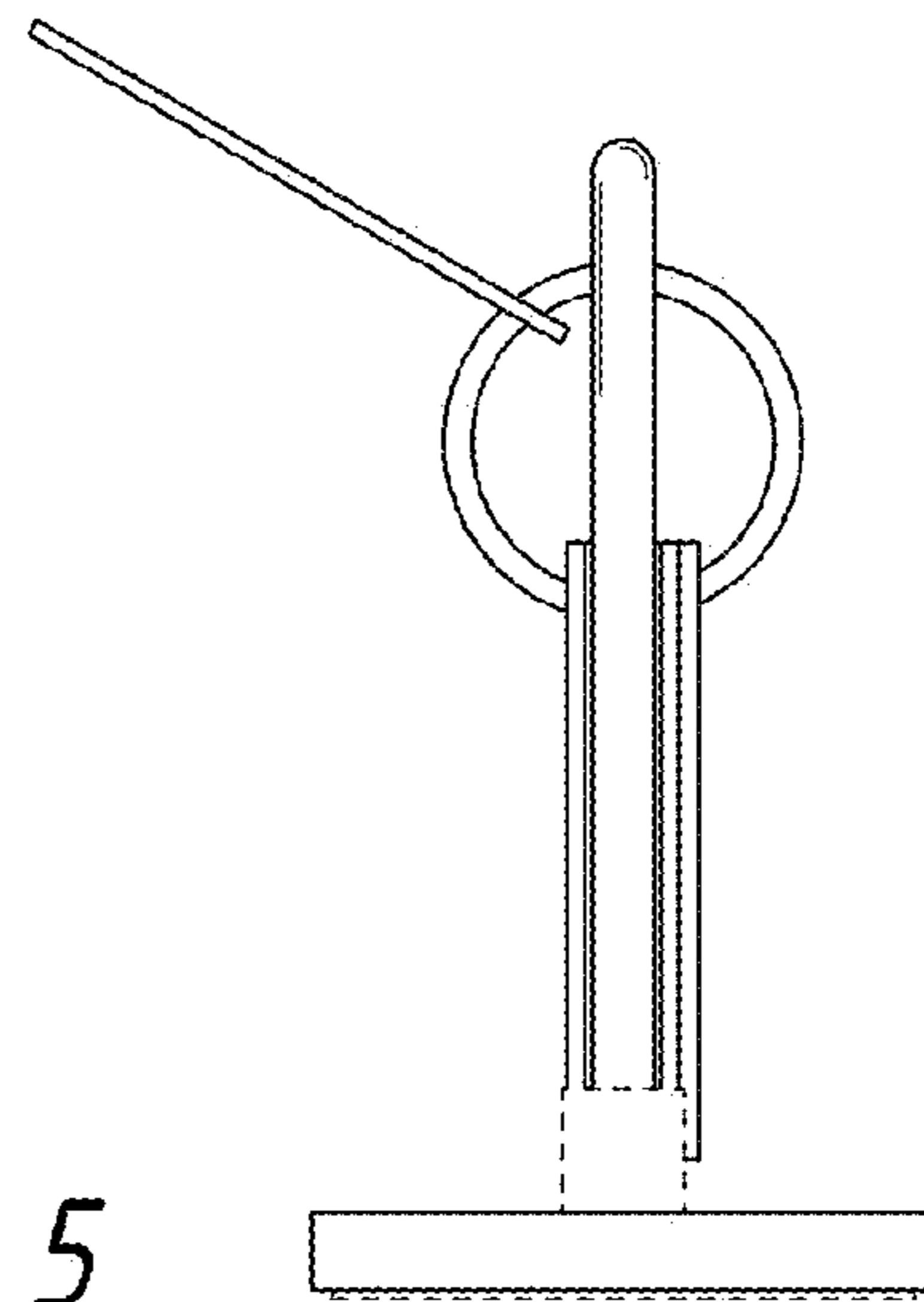


FIG. 5

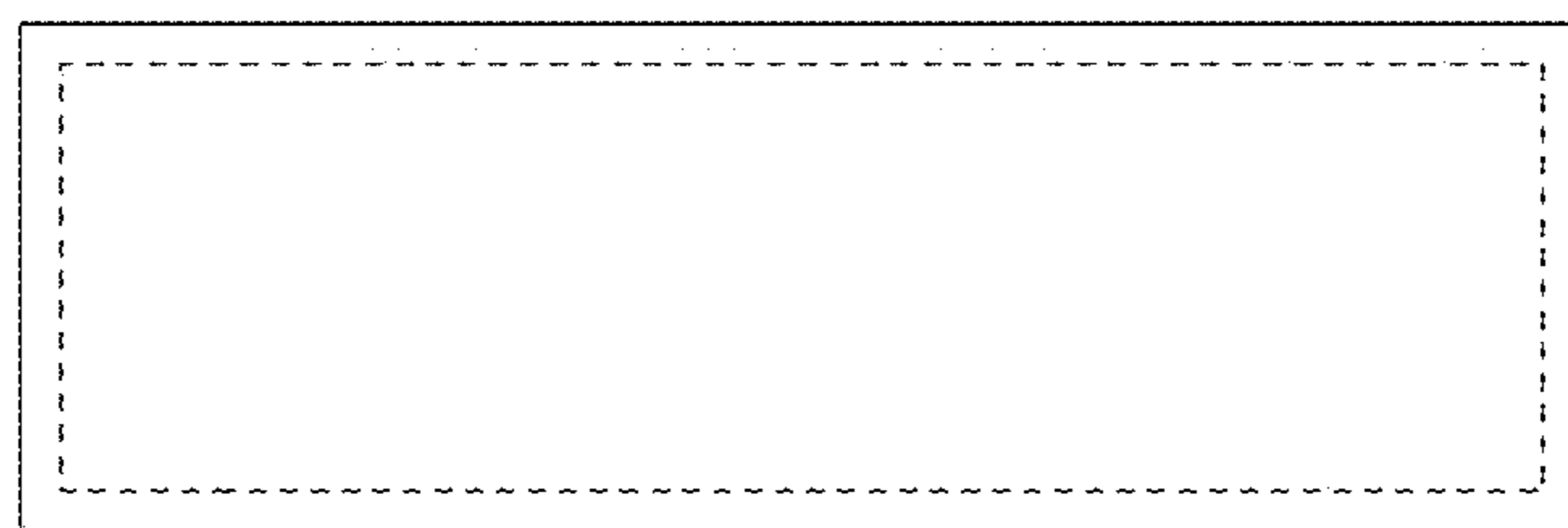


FIG. 6