



US00D723618S

(12) **United States Design Patent**
Rowe et al.

(10) **Patent No.:** **US D723,618 S**
(45) **Date of Patent:** **** Mar. 3, 2015**

- (54) **FILE BOX**
- (71) Applicants: **Michael D. Rowe**, Medway, OH (US);
Scot B. Herbst, Santa Cruz, CA (US)
- (72) Inventors: **Michael D. Rowe**, Medway, OH (US);
Scot B. Herbst, Santa Cruz, CA (US)
- (73) Assignee: **ACCO Brands Corporation**, Lake
Zurich, IL (US)
- (**) Term: **14 Years**
- (21) Appl. No.: **29/471,678**
- (22) Filed: **Nov. 4, 2013**
- (51) **LOC (10) Cl.** **19-02**
- (52) **U.S. Cl.**
USPC **D19/86**
- (58) **Field of Classification Search**
USPC D3/206, 272, 273, 905; D6/512–515,
D6/517, 632, 633; D9/932, 933;
D19/75–87, 90, 91, 99, 100; 206/214,
206/215, 425; 211/45, 50
See application file for complete search history.

(56) **References Cited**

U.S. PATENT DOCUMENTS

213,852 A	4/1879	Tapley	
533,053 A	1/1895	Cooke, Jr.	
1,420,000 A *	6/1922	Wagner	229/146
1,571,003 A *	1/1926	Genaille	131/239
1,586,673 A *	6/1926	Haigh	229/125.38
1,803,736 A *	5/1931	Sinclair	206/449
2,426,856 A *	9/1947	Berg	229/122
2,446,896 A *	8/1948	Wellman	206/214
3,215,332 A *	11/1965	Bess	229/240
D222,402 S *	10/1971	Burnhill	D9/737
3,659,703 A	5/1972	Oliver	
4,538,730 A	9/1985	Wu	

4,609,104 A *	9/1986	Kasper et al.	206/524.2
D291,024 S *	7/1987	Kikuchi	D6/634
5,186,499 A	2/1993	Mason	
D351,080 S *	10/1994	Sykes et al.	D6/629
D383,064 S *	9/1997	Tsukikawa	D9/432
D383,641 S *	9/1997	Maton	D7/354
D424,434 S *	5/2000	Hoffman	D9/432
D514,810 S *	2/2006	Armato	D3/294
8,746,444 B2 *	6/2014	Dehlin	206/1.5
2005/0205449 A1	9/2005	Frankeny	
2008/0078818 A1	4/2008	Botkin	

* cited by examiner

Primary Examiner — Elizabeth Albert

(74) *Attorney, Agent, or Firm* — Thompson Hine L.L.P.

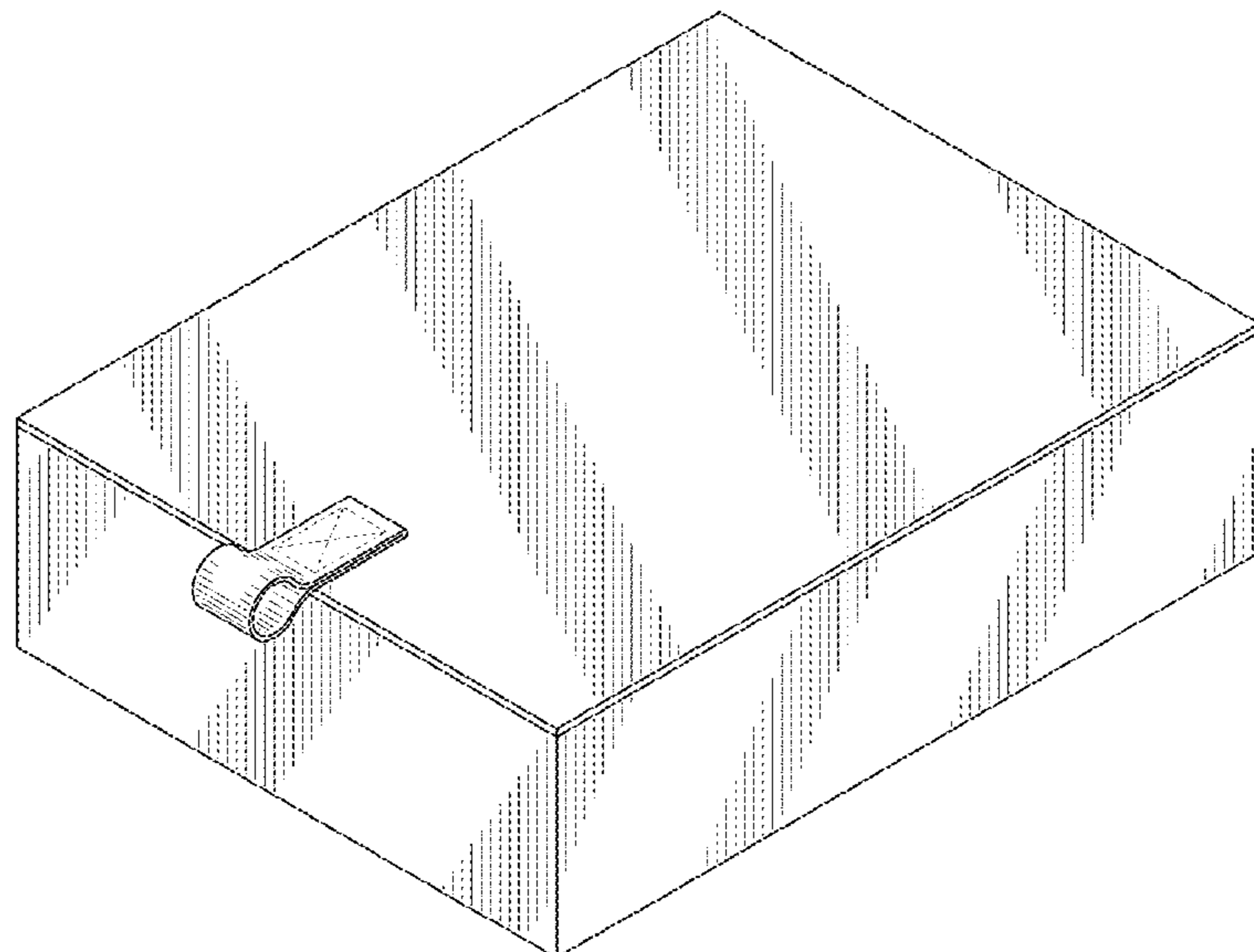
(57) **CLAIM**

The ornamental design for a file box, as shown and described.

DESCRIPTION

FIG. 1 is a top perspective view of the file box, shown in a closed configuration;
 FIG. 2 is a top view of FIG. 1;
 FIG. 3 is a bottom view of FIG. 1;
 FIG. 4 is a right side view of FIG. 1; the left side view being a mirror image thereof;
 FIG. 5 is a front view of FIG. 1;
 FIG. 6 is a back view of FIG. 1;
 FIG. 7 is an upper perspective view of FIG. 1, shown in an open configuration;
 FIG. 8 is a front view of FIG. 7;
 FIG. 9 is a back view of FIG. 7;
 FIG. 10 is a right side view of FIG. 7, with the left side view being a mirror image thereof;
 FIG. 11 is a top view of FIG. 7; and,
 FIG. 12 is a bottom view of FIG. 7.
 The broken lines in the drawings are included for the purpose of showing features that form no part of the claimed design.

1 Claim, 9 Drawing Sheets



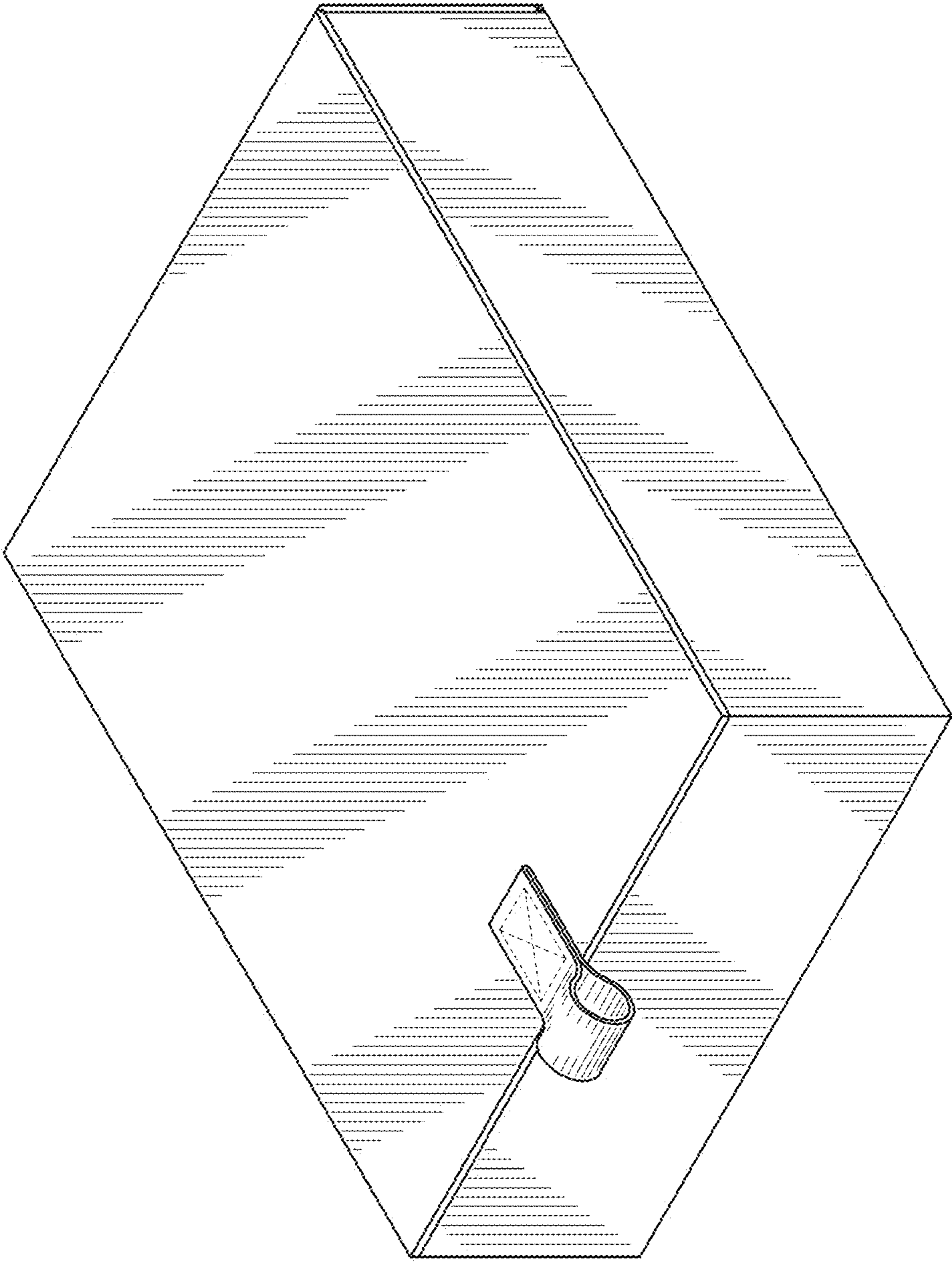


FIG. 1

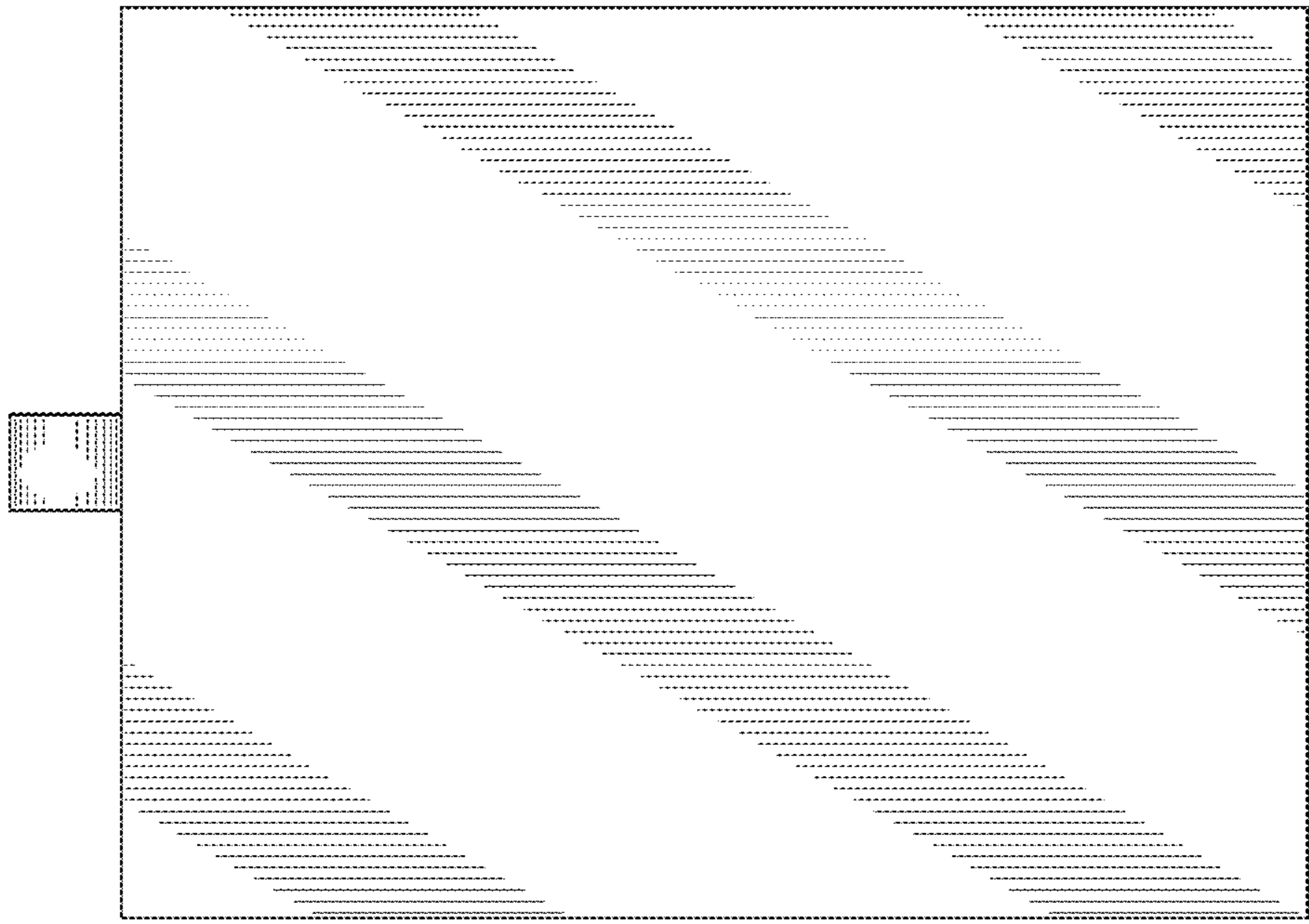


FIG. 3

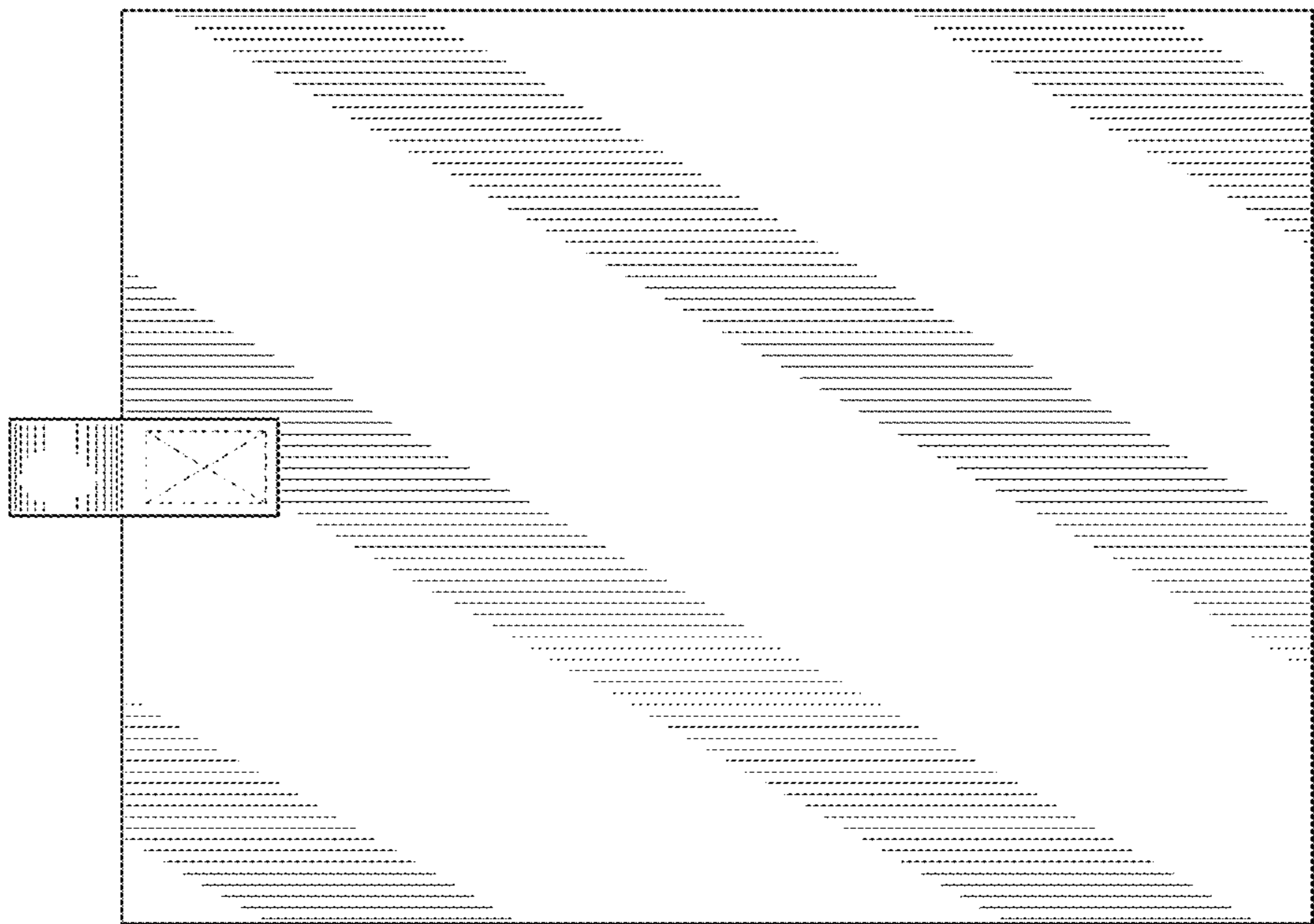


FIG. 2

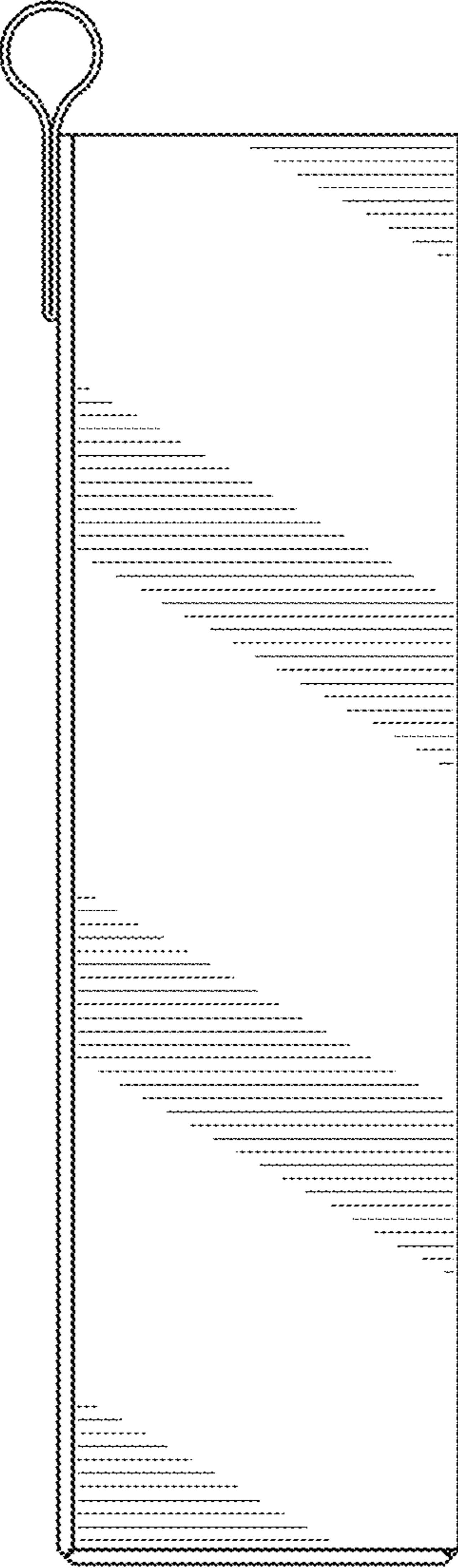


FIG. 4

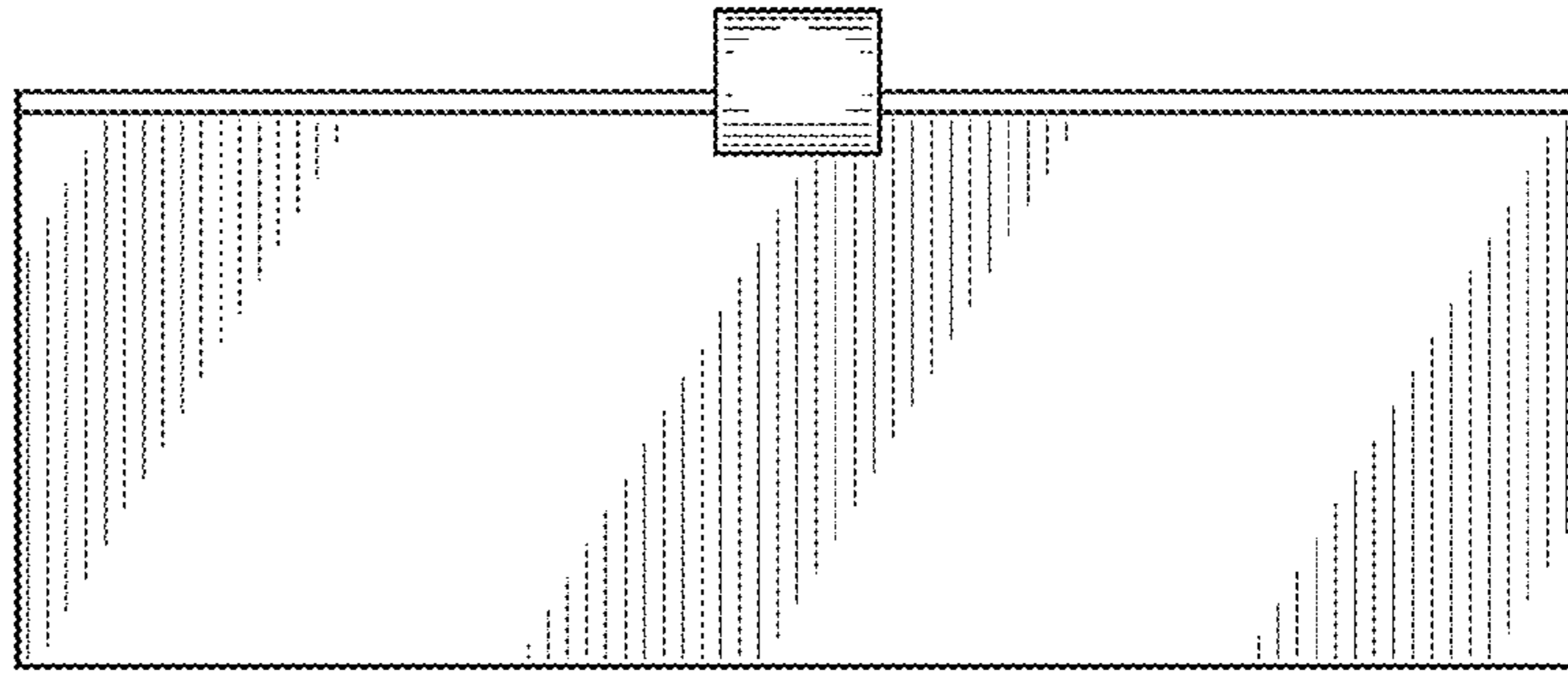


FIG. 5

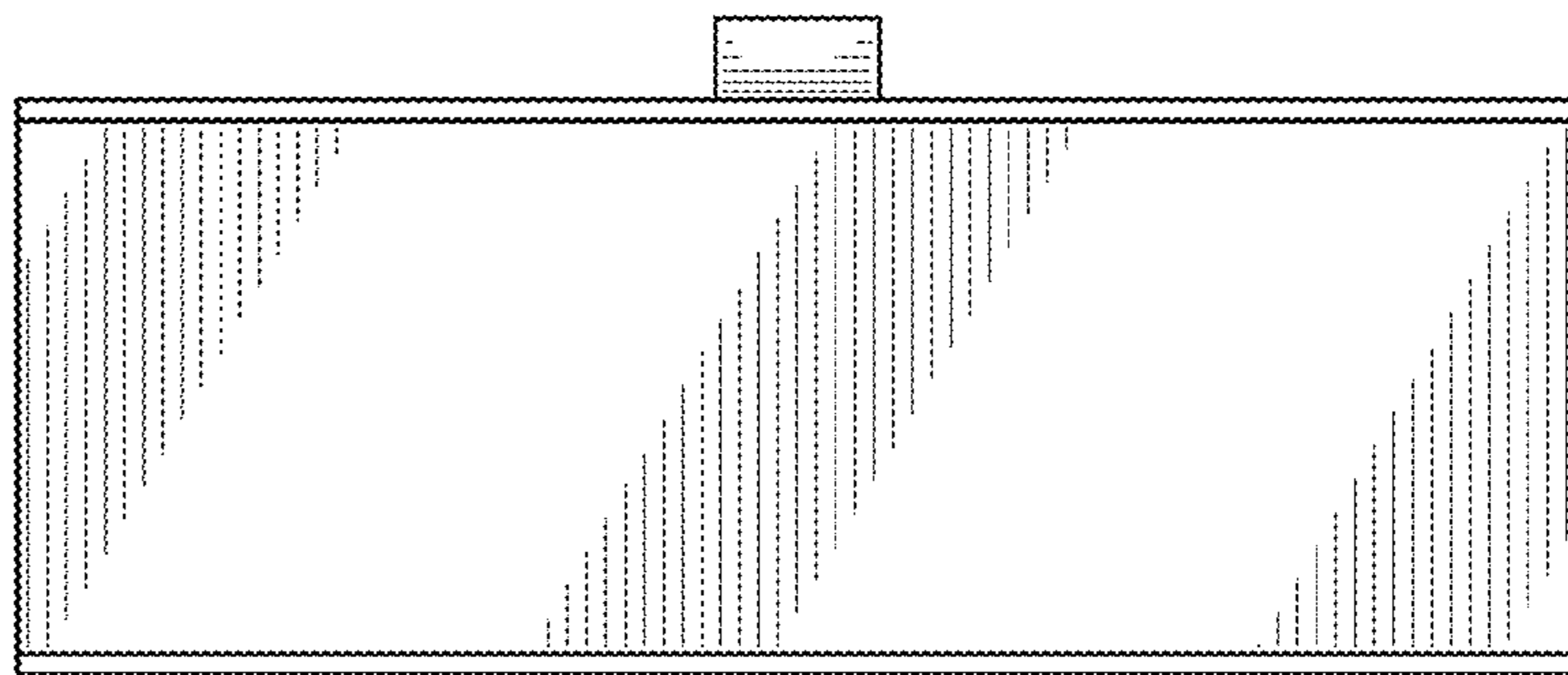


FIG. 6

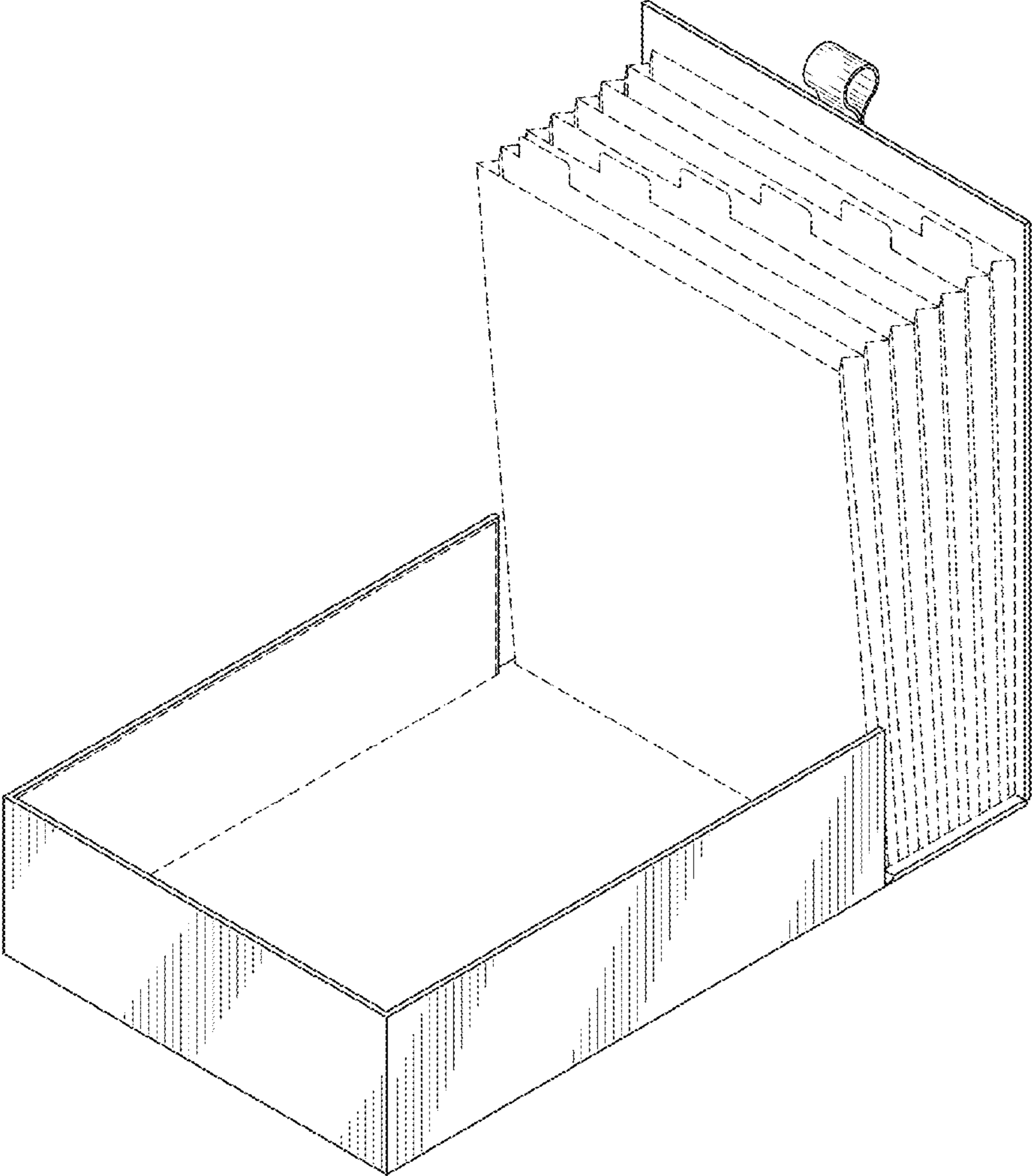


FIG. 7

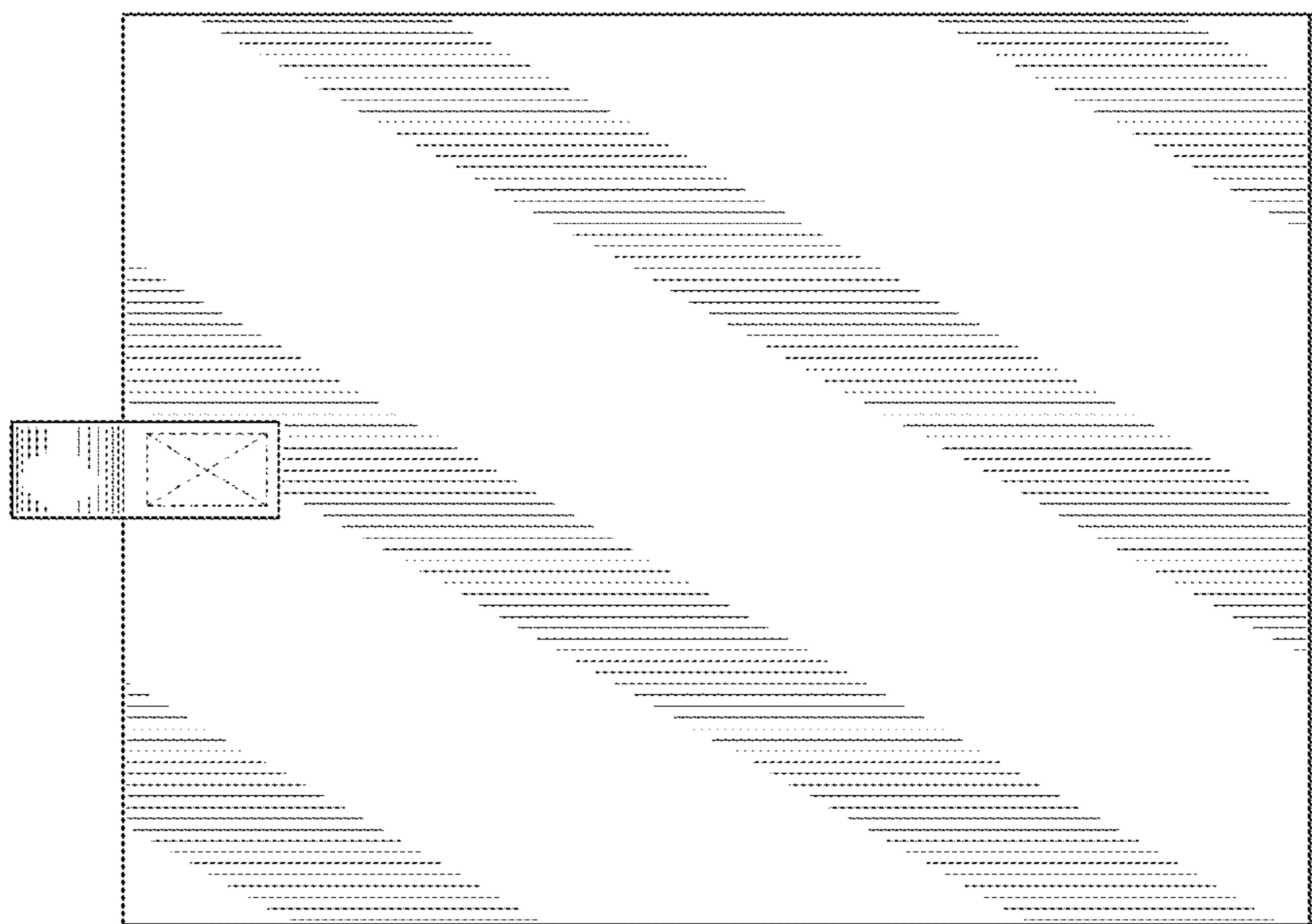


FIG. 9

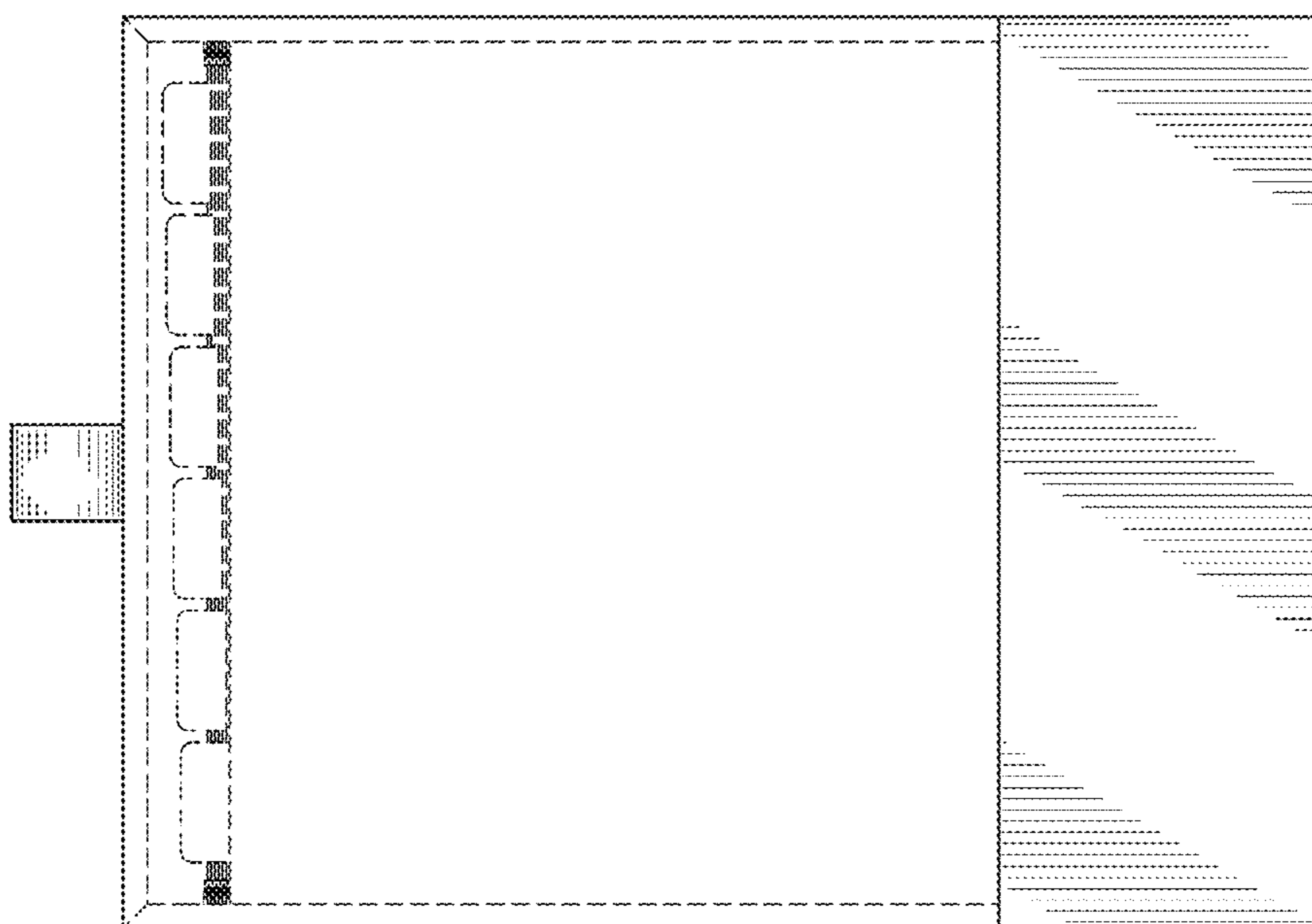


FIG. 8

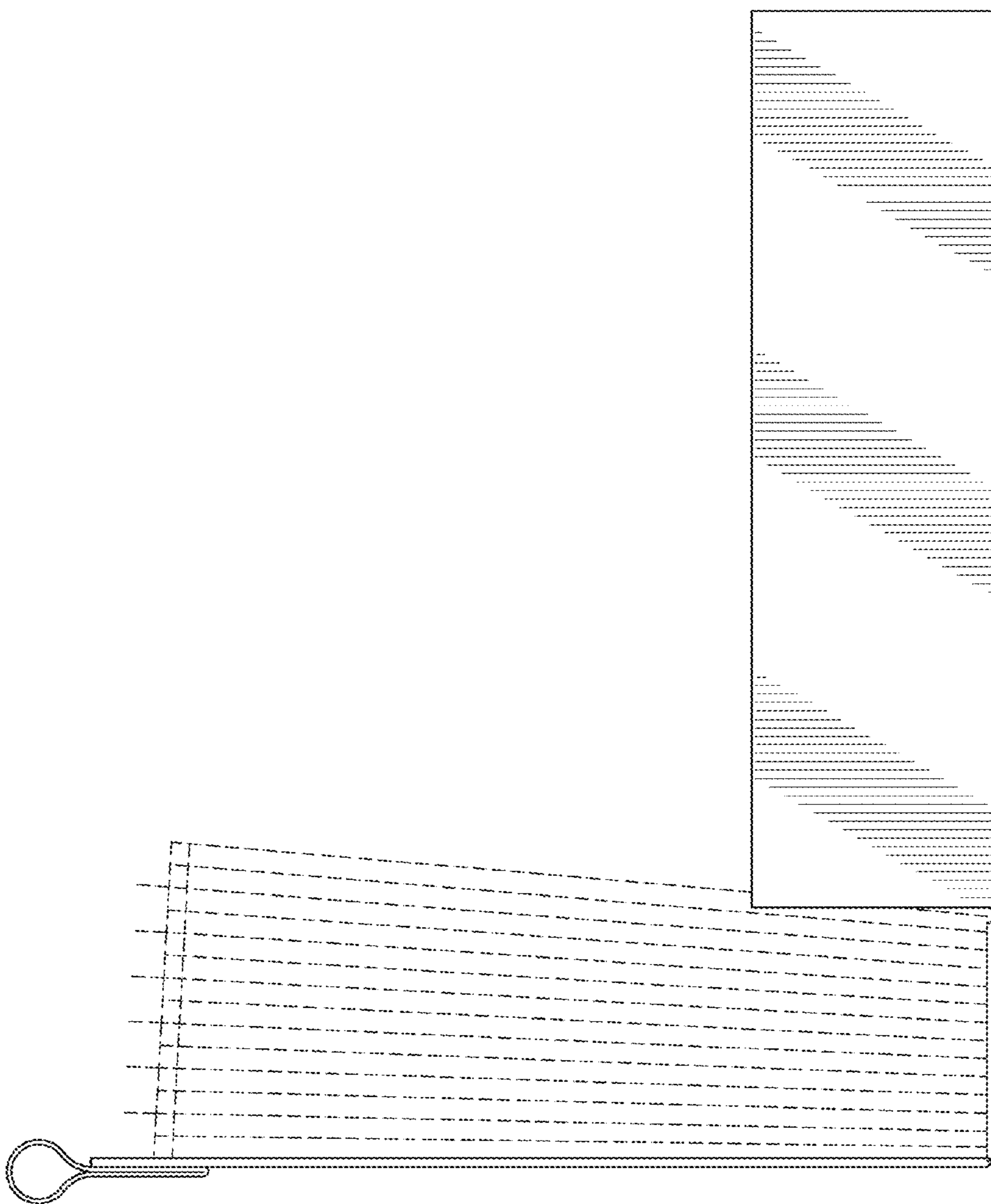


FIG. 10

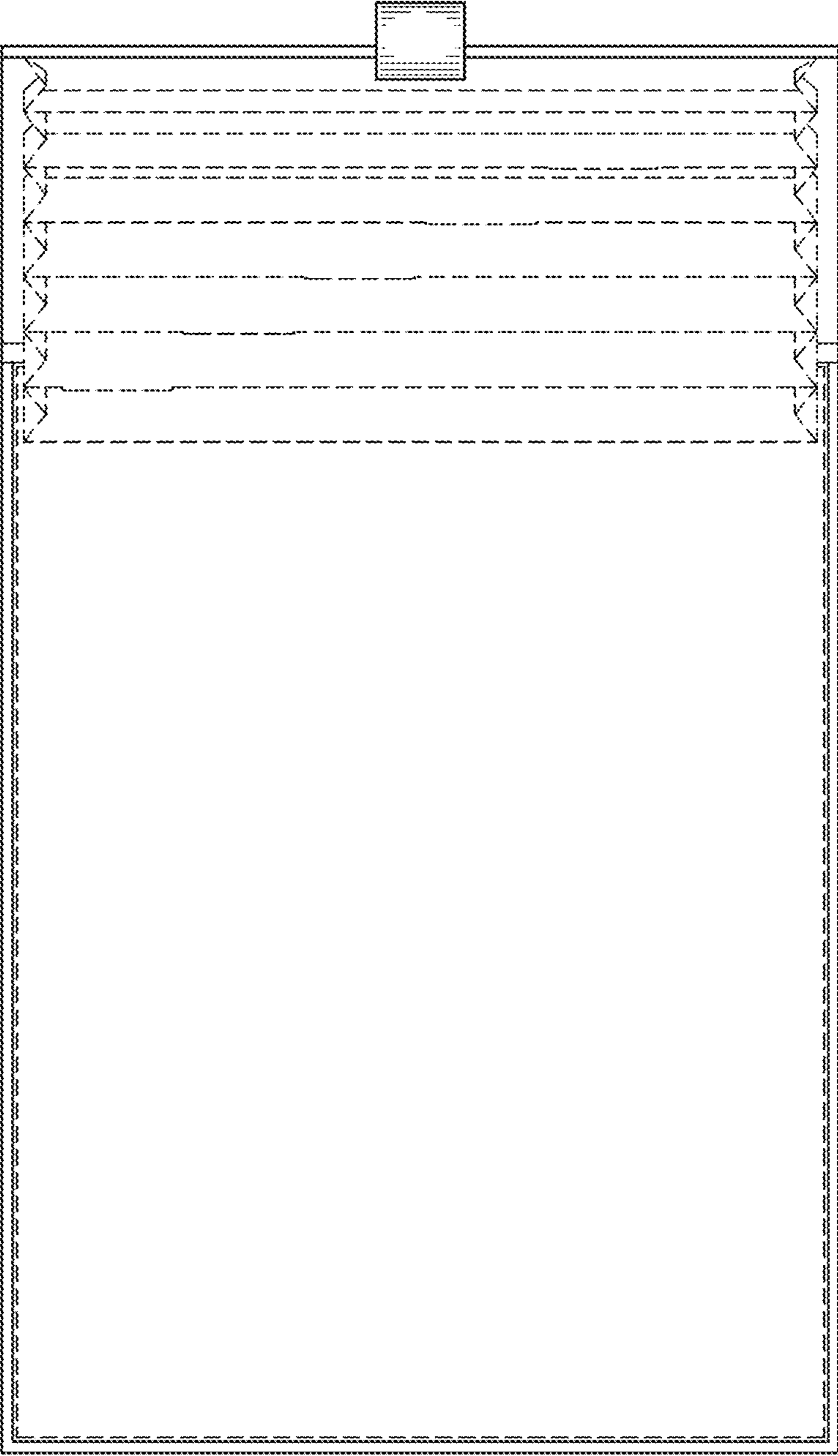


FIG. 11

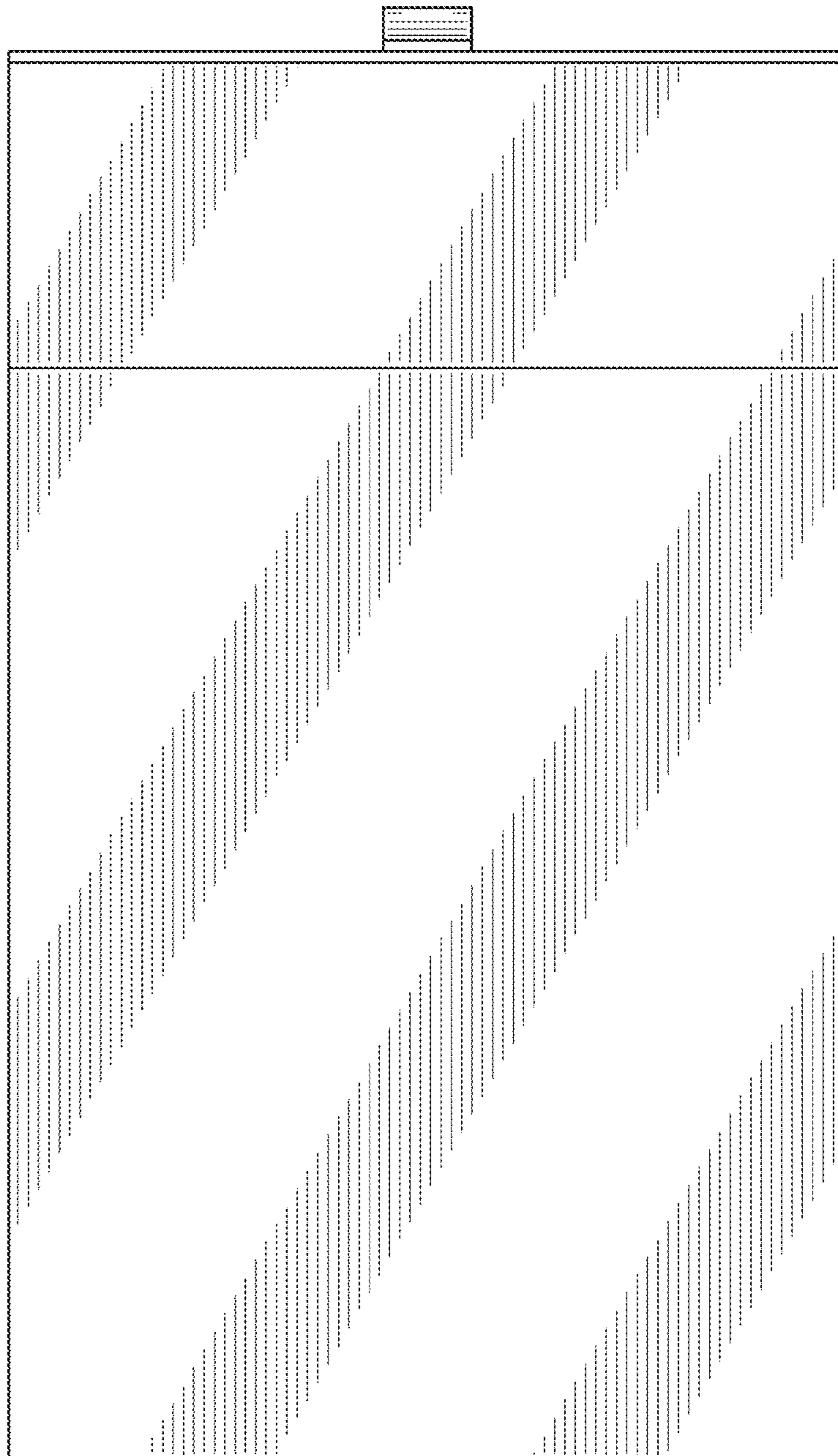


FIG. 12