



US00D723615S

(12) **United States Design Patent**
Sato et al.

(10) **Patent No.:** **US D723,615 S**
(45) **Date of Patent:** **** Mar. 3, 2015**

(54) **PRINTER**
(71) Applicants: **Yukihiko Sato**, Nagoya (JP); **Jiro Suzuki**, Kariya (JP)
(72) Inventors: **Yukihiko Sato**, Nagoya (JP); **Jiro Suzuki**, Kariya (JP)
(73) Assignee: **Brother Industries, Ltd.**, Nagoya (JP)
(**) Term: **14 Years**

D578,494 S * 10/2008 Hattori D18/55
D584,348 S 1/2009 Boo et al.
D601,186 S 9/2009 Kim et al.
D607,928 S 1/2010 Kim et al.
D633,139 S * 2/2011 Park et al. D18/55
D639,847 S 6/2011 Nakata et al.
D643,058 S * 8/2011 Seki et al. D18/55
D647,131 S * 10/2011 Park et al. D18/55
D693,873 S * 11/2013 Fukasawa et al. D18/55
D697,964 S * 1/2014 Fukasawa et al. D18/55

(21) Appl. No.: **29/464,267**
(22) Filed: **Aug. 14, 2013**

(30) **Foreign Application Priority Data**
Feb. 15, 2013 (JP) 2013-3003
(51) **LOC (10) Cl.** **14-02**
(52) **U.S. Cl.**
USPC **D18/50**
(58) **Field of Classification Search**
CPC B41J 3/36; B41J 9/26; B41J 15/00;
B41J 29/02; B41J 29/13; B41J 35/36; B65H
35/06; G03G 21/00; G03G 21/16; G03G
15/00; G06F 3/12; G06K 15/14
USPC D18/36-37, 50, 54, 54.1, 55;
D14/420-425, 462-470; 400/613,
400/613.1-613.4, 690.1-690.4, 691-694
See application file for complete search history.

(56) **References Cited**
U.S. PATENT DOCUMENTS

D322,274 S * 12/1991 Tokuda et al. D18/54

FOREIGN PATENT DOCUMENTS

JP A-2011-090312 5/2011

* cited by examiner

Primary Examiner — Cathy A MacCormac

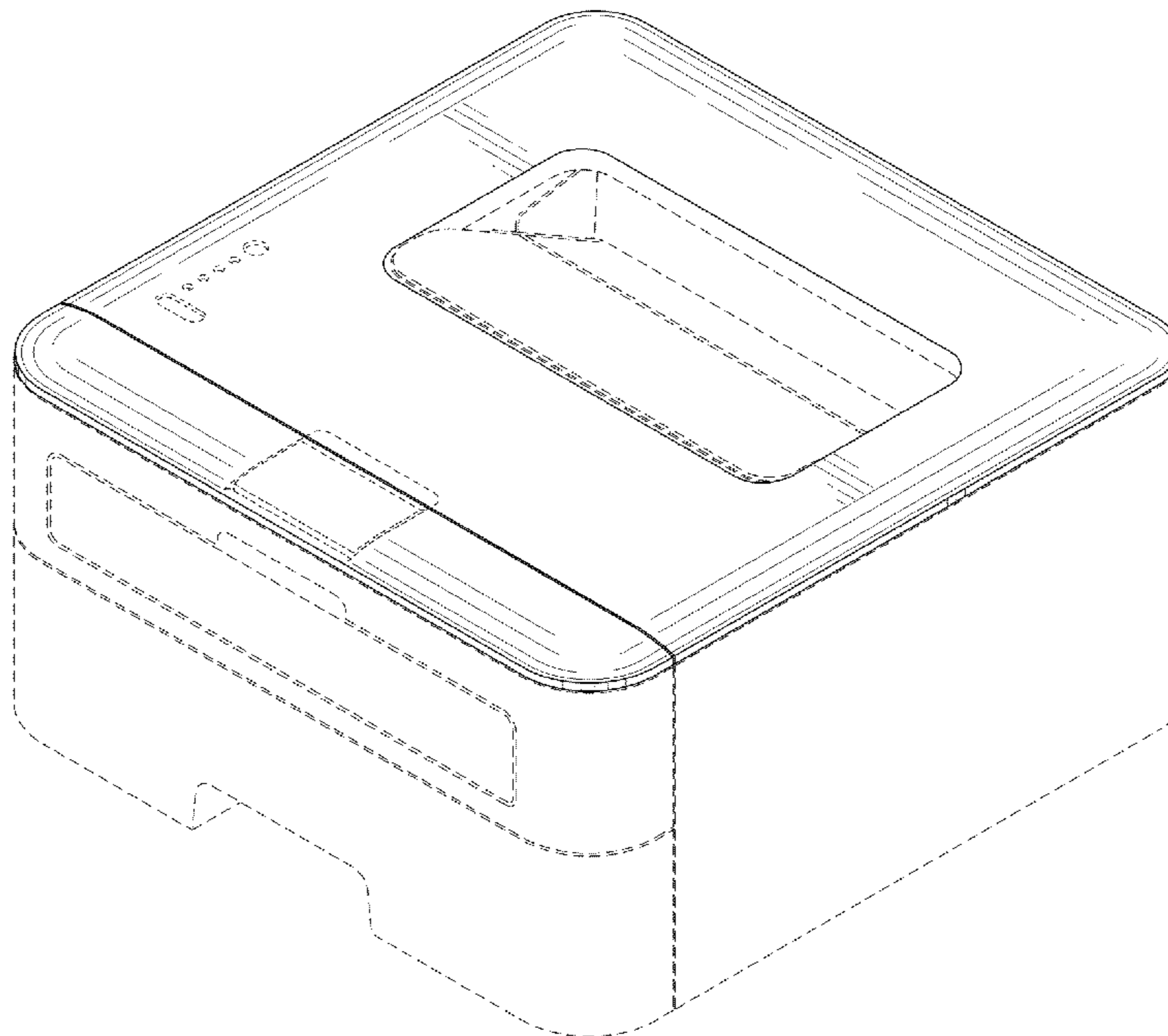
(74) *Attorney, Agent, or Firm* — Oliff PLC

(57) **CLAIM**
The ornamental design for a printer, as shown and described.

DESCRIPTION

FIG. 1 is a perspective view of a printer;
FIG. 2 is a front view thereof;
FIG. 3 is a top view thereof;
FIG. 4 is a right-side view thereof;
FIG. 5 is a left-side view thereof; and,
FIG. 6 is a rear view thereof.
The broken lines depict environmental subject matter only and form no part of the claimed design. The bottom view includes environmental subject matter only and forms no part of the claimed design. Thus, this view is not illustrated.

1 Claim, 5 Drawing Sheets



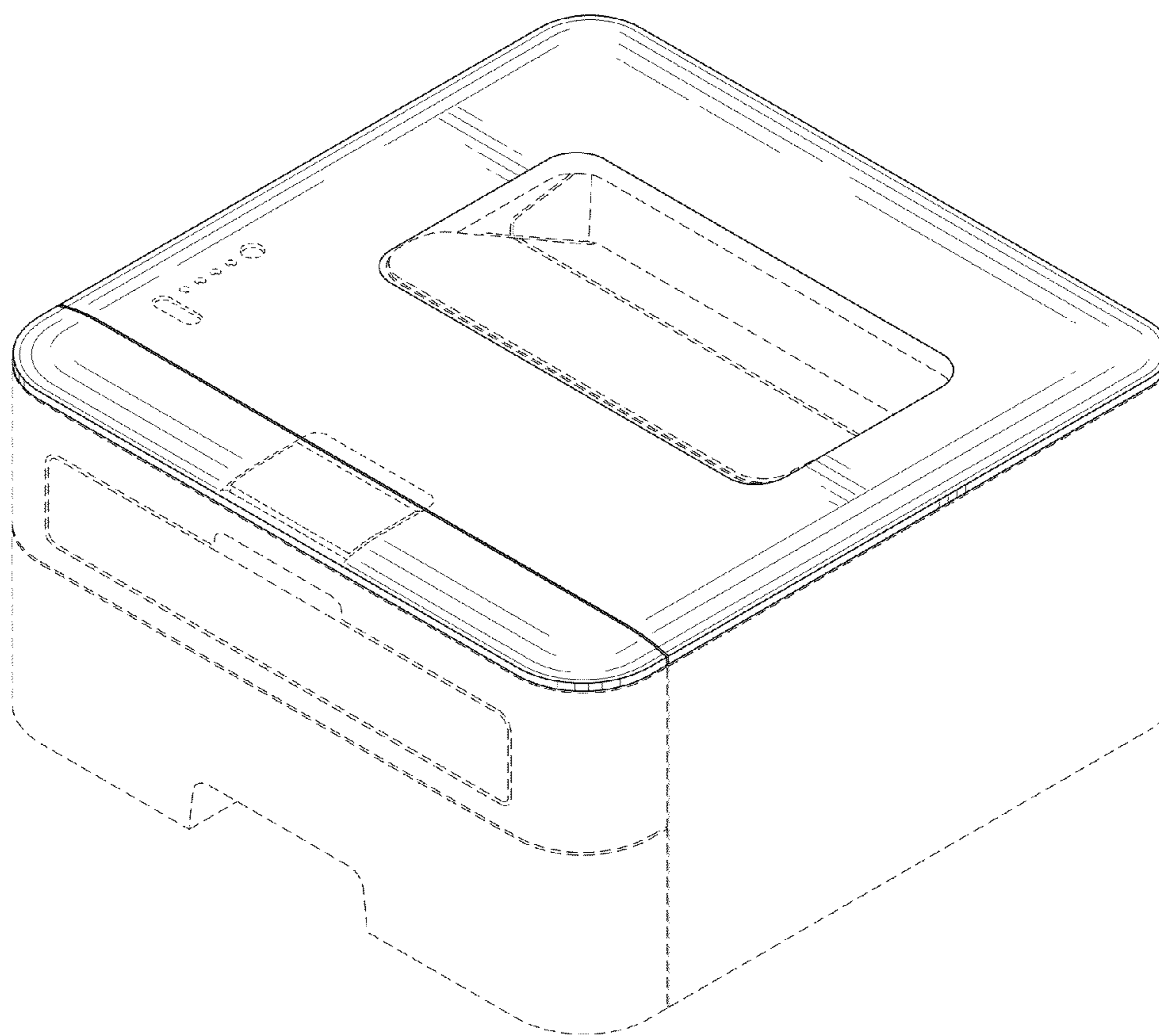


FIG. 1

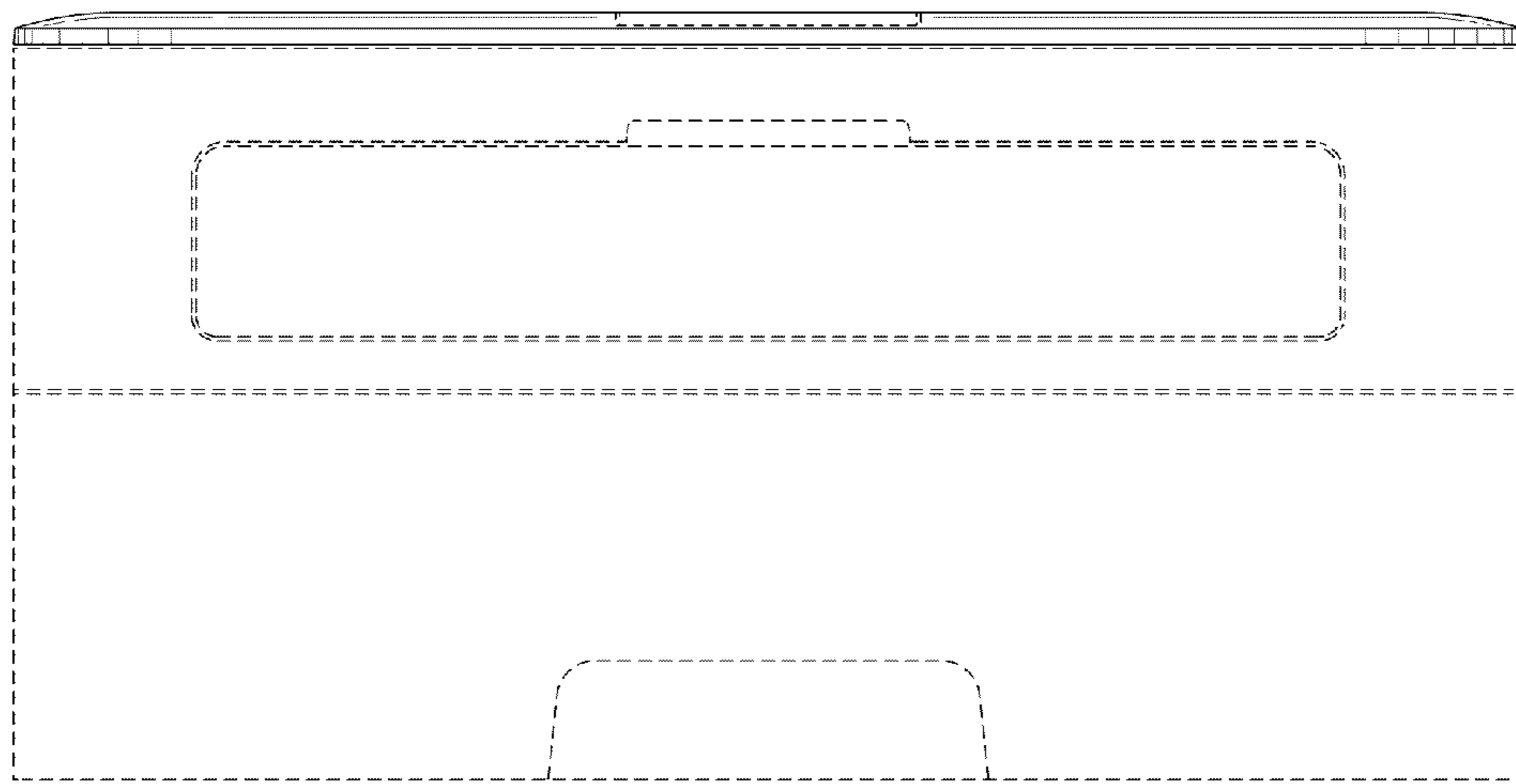


FIG. 2

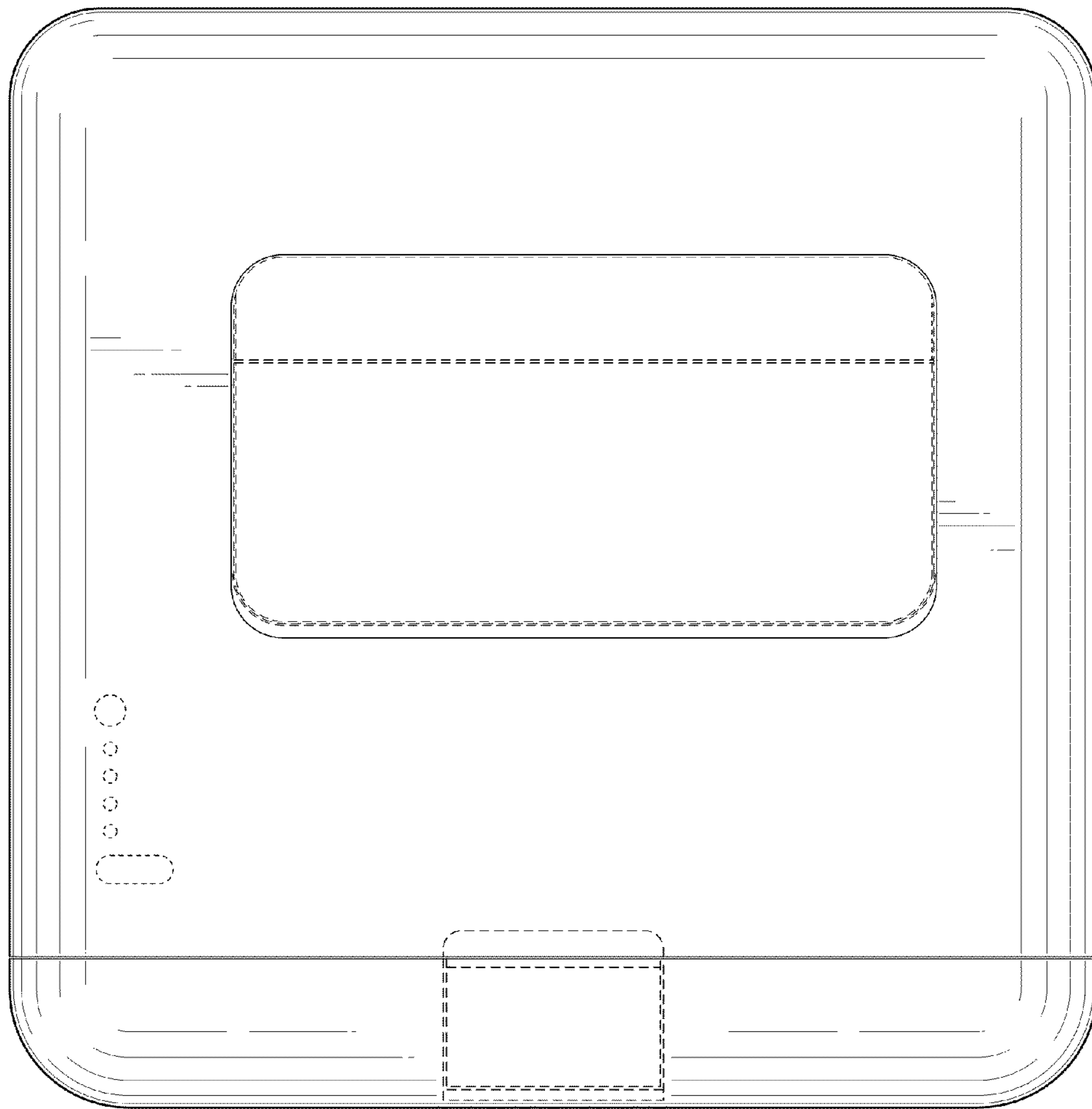


FIG. 3



FIG. 4



FIG. 5



FIG. 6