



US00D723614S

(12) **United States Design Patent**
Shimizu et al.

(10) **Patent No.:** **US D723,614 S**
(45) **Date of Patent:** **** Mar. 3, 2015**

- (54) **TONER CARTRIDGE**
- (71) Applicant: **Brother Industries, Ltd.**, Nagoya-shi, Aichi-ken (JP)
- (72) Inventors: **Takashi Shimizu**, Nagoya (JP); **Tokifumi Tanaka**, Komaki (JP); **Satoru Ishikawa**, Kitanagoya (JP); **Keita Shimizu**, Tsushima (JP)
- (73) Assignee: **Brother Industries, Ltd.**, Nagoya (JP)
- (**) Term: **14 Years**

D550,766 S	9/2007	Takagi	
D550,767 S	9/2007	Kishi	
D566,169 S	4/2008	Ishikawa et al.	
D579,484 S *	10/2008	Kamimura et al.	D18/43
D588,190 S *	3/2009	Kamimura et al.	D18/43
D596,663 S *	7/2009	Kamimura et al.	D18/43
D601,183 S	9/2009	Ishikawa et al.	
D631,094 S	1/2011	Sato et al.	
7,873,296 B2 *	1/2011	Ishii et al.	399/90
D637,225 S *	5/2011	Kishi et al.	D18/43
D638,051 S	5/2011	Sato et al.	
D638,052 S *	5/2011	Sato et al.	D18/43
D638,054 S	5/2011	Sato et al.	

(Continued)

- (21) Appl. No.: **29/494,791**
- (22) Filed: **Jun. 24, 2014**

OTHER PUBLICATIONS

Design U.S. Appl. No. 29/451,169, filed Mar. 28, 2013 in the name of Hiroki Mori et al.

(Continued)

- (30) **Foreign Application Priority Data**
- Dec. 26, 2013 (JP) 2013-30480
- (51) **LOC (10) Cl.** **16-03**
- (52) **U.S. Cl.**
- USPC **D18/43**
- (58) **Field of Classification Search**
- USPC D18/12, 36, 40, 43, 44, 54, 56;
D14/471; 347/49, 50, 197, 222;
399/11, 92, 106, 110, 111, 113, 119,
399/120, 127, 159, 230, 254, 350, 353
- See application file for complete search history.

Primary Examiner — Eric Goodman
Assistant Examiner — Amy Wierenga
(74) *Attorney, Agent, or Firm* — Oliff PLC

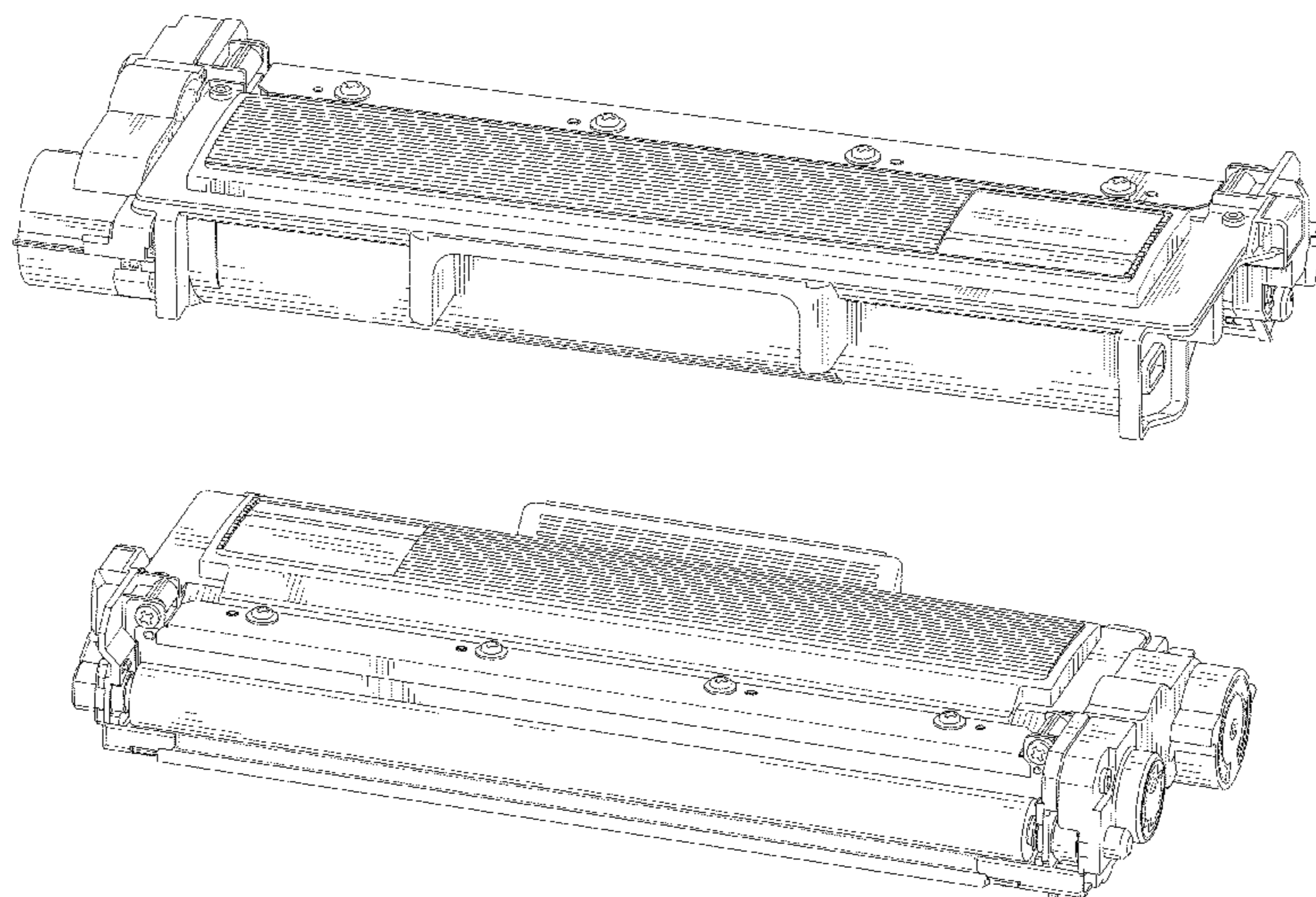
- (57) **CLAIM**
- The ornamental design for a toner cartridge, as shown and described.

DESCRIPTION

FIG. 1 is a front, top perspective view of a toner cartridge; FIG. 2 is a front view thereof; FIG. 3 is a top view thereof; FIG. 4 is a right-side view thereof; FIG. 5 is a left-side view thereof; FIG. 6 is a rear view thereof; FIG. 7 is a bottom view thereof; FIG. 8 is a rear, top perspective view thereof; and, FIG. 9 is a front, bottom perspective view thereof. The broken lines depict environmental subject matter only and form no part of the claimed design.

- (56) **References Cited**
- U.S. PATENT DOCUMENTS
- D508,945 S 8/2005 Ishii et al.
- D510,947 S 10/2005 Ishii et al.
- D511,542 S 11/2005 Ishii et al.
- D512,454 S 12/2005 Ishii et al.
- D522,564 S 6/2006 Ishii et al.
- D531,660 S * 11/2006 Ishii et al. D18/43
- D531,661 S * 11/2006 Ishii et al. D18/43
- D550,764 S 9/2007 Ishikawa et al.
- D550,765 S 9/2007 Ishikawa et al.

1 Claim, 4 Drawing Sheets



(56)

References Cited

OTHER PUBLICATIONS

U.S. PATENT DOCUMENTS

D652,862 S 1/2012 Mori et al.
D694,815 S * 12/2013 Fukamachi et al. D18/43
D694,816 S * 12/2013 Fukamachi et al. D18/43

Design U.S. Appl. No. 29/451,173, filed Mar. 28, 2013 in the name of
Nao Itabashi et al.

* cited by examiner

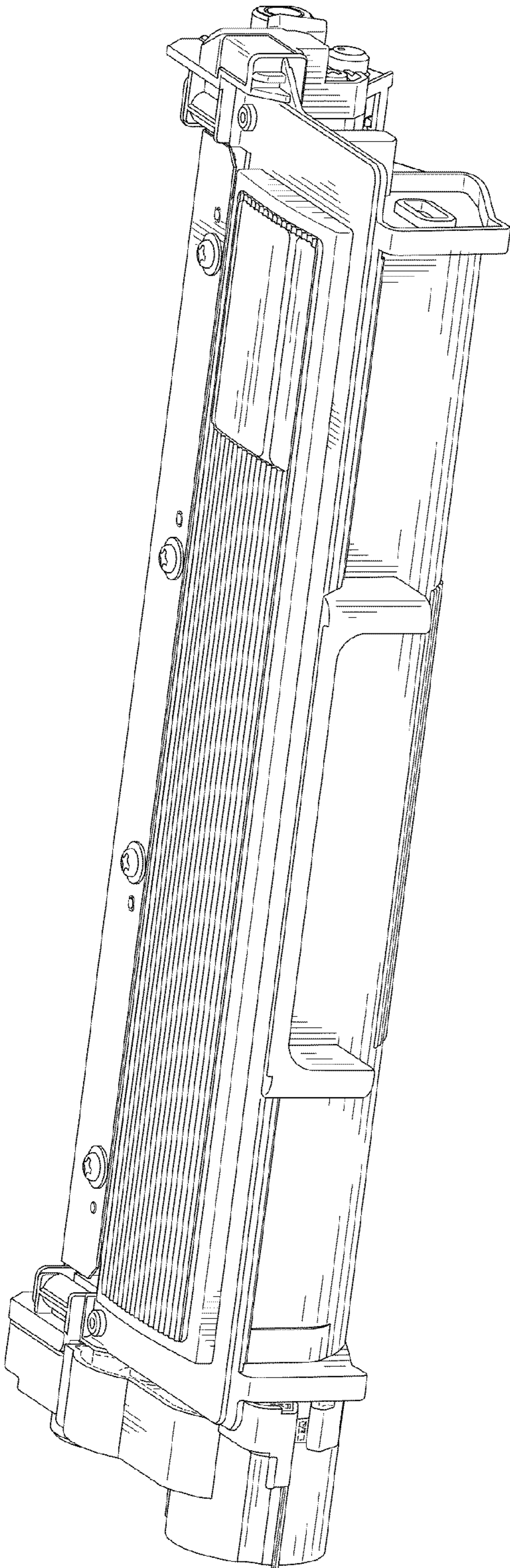


FIG. 1

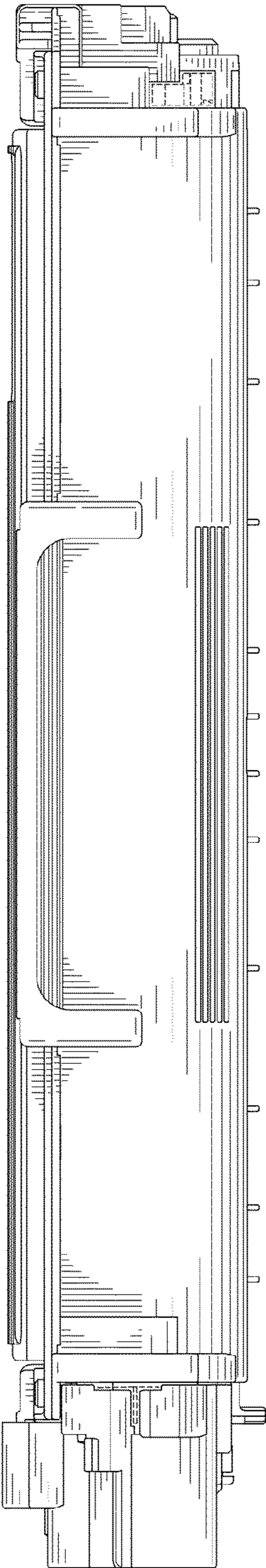


FIG. 2

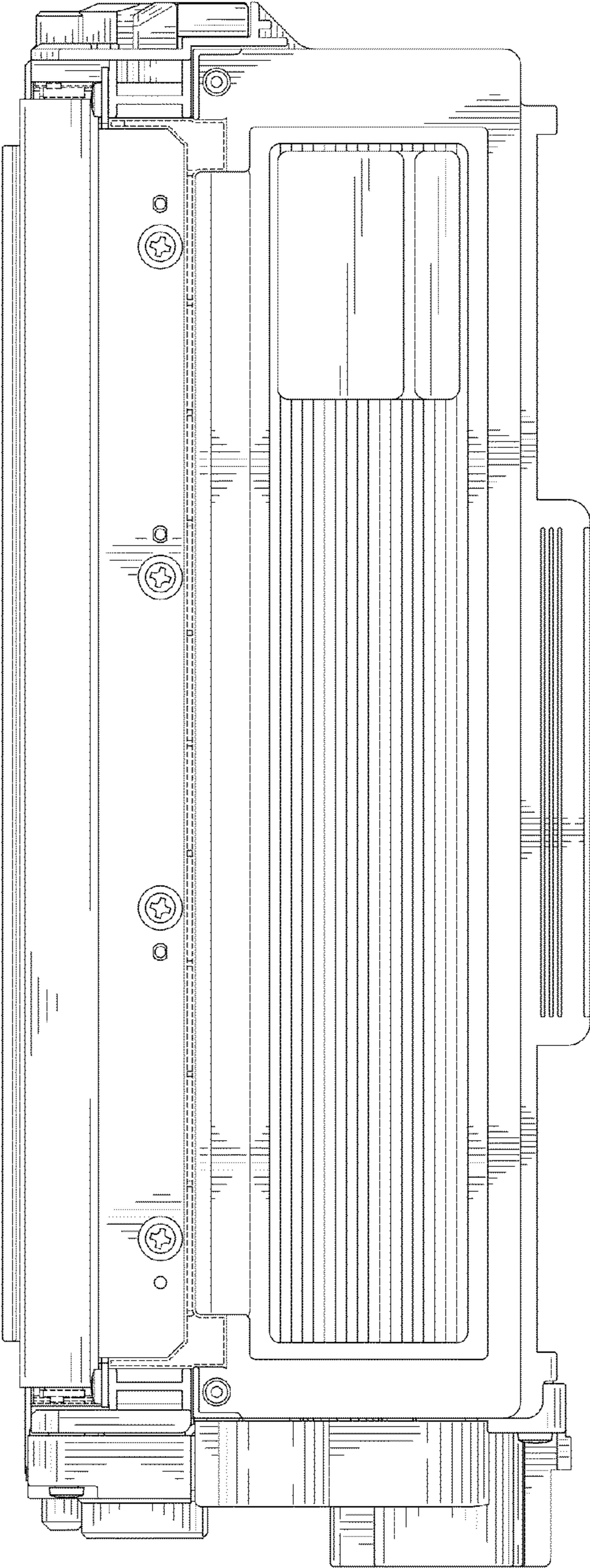


FIG. 3

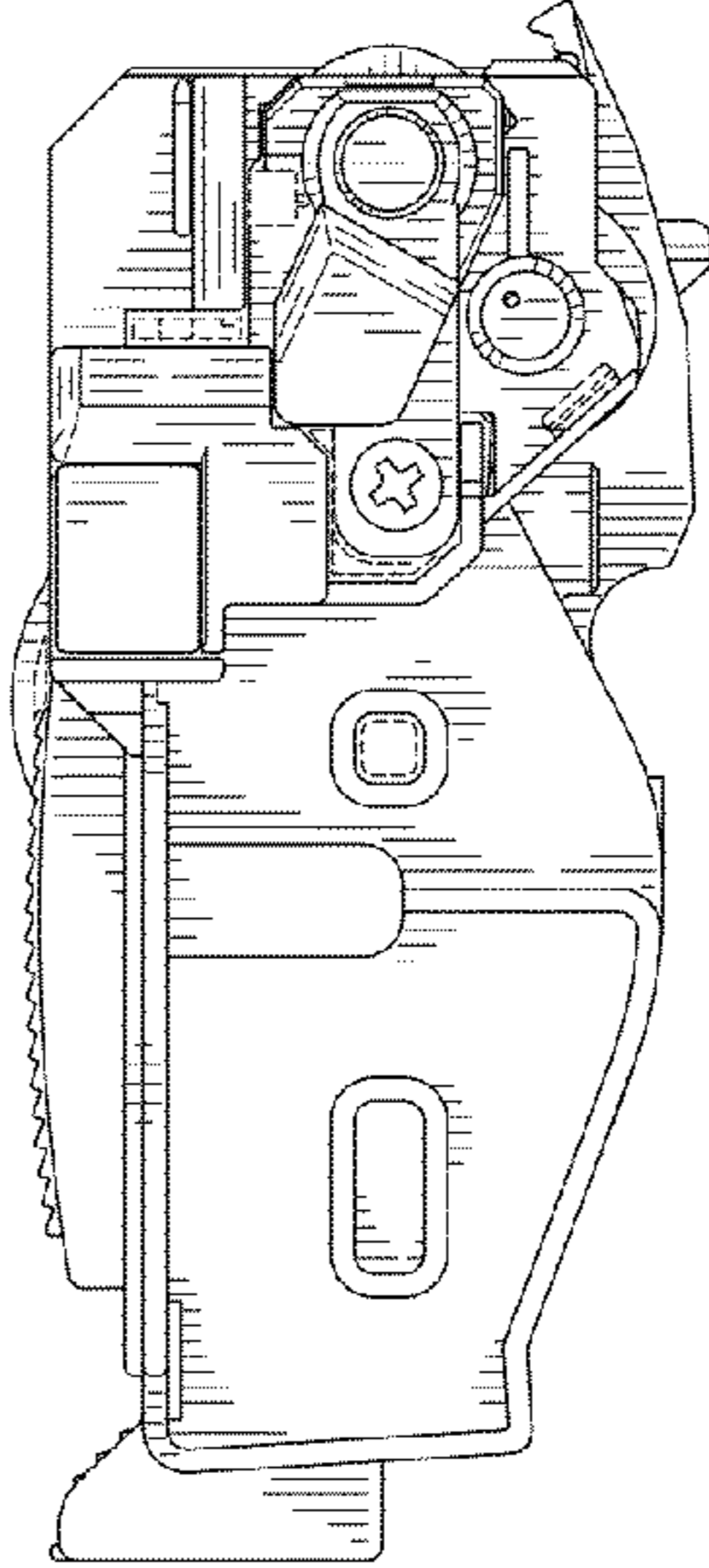


FIG. 4

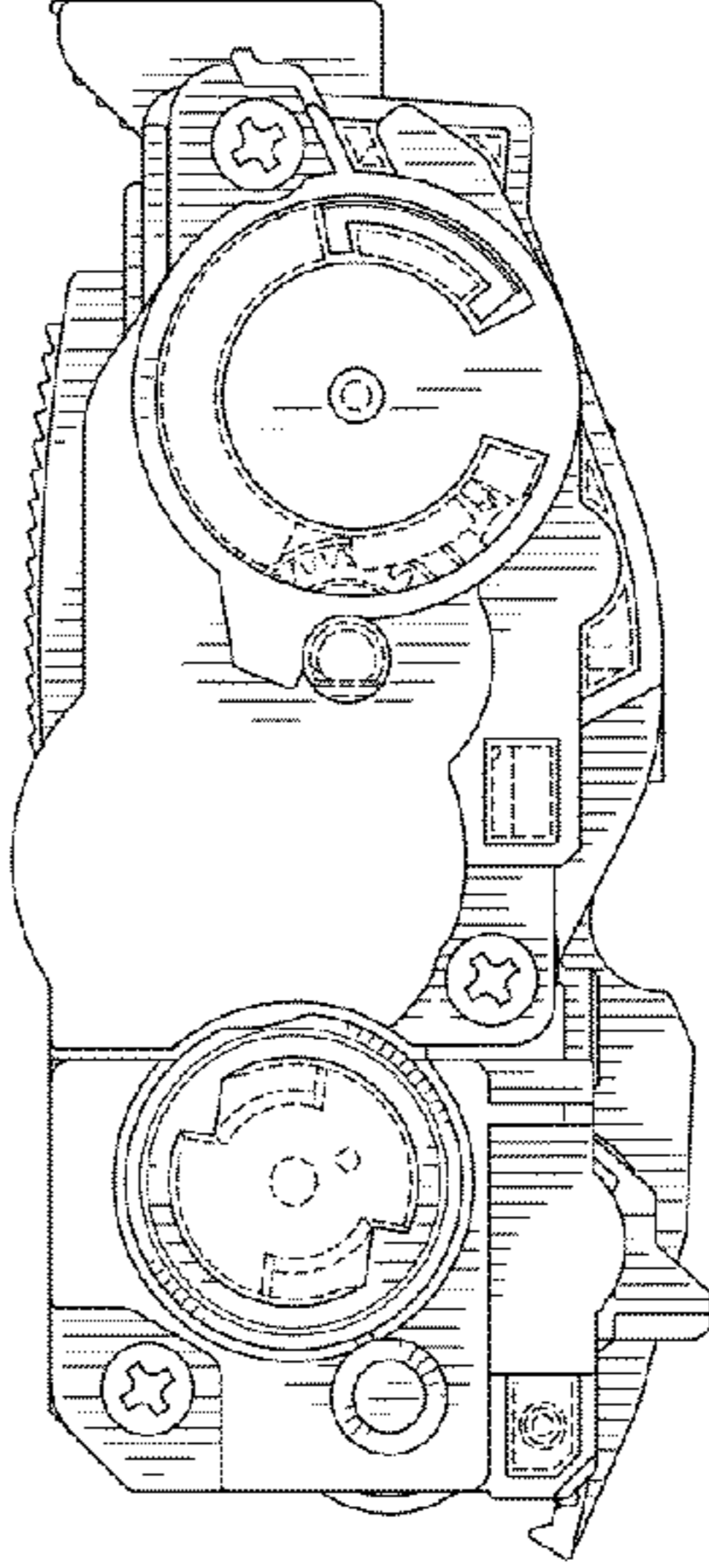


FIG. 5

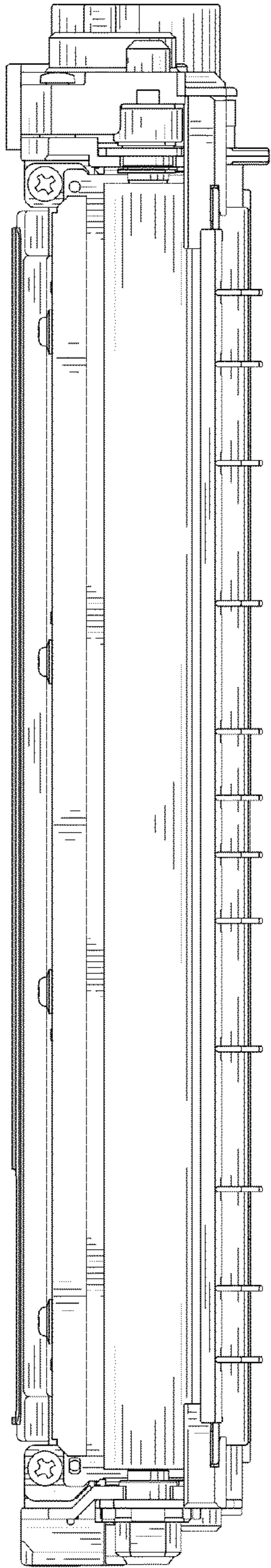


FIG. 6

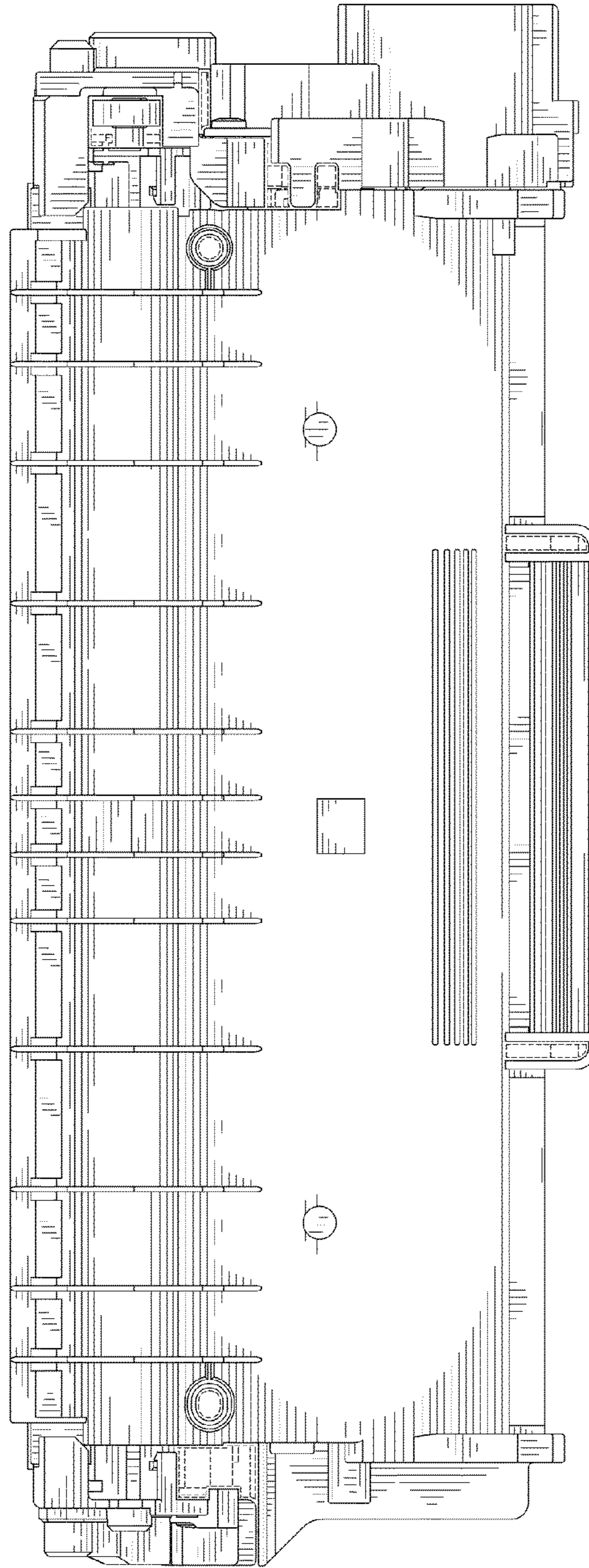


FIG. 7

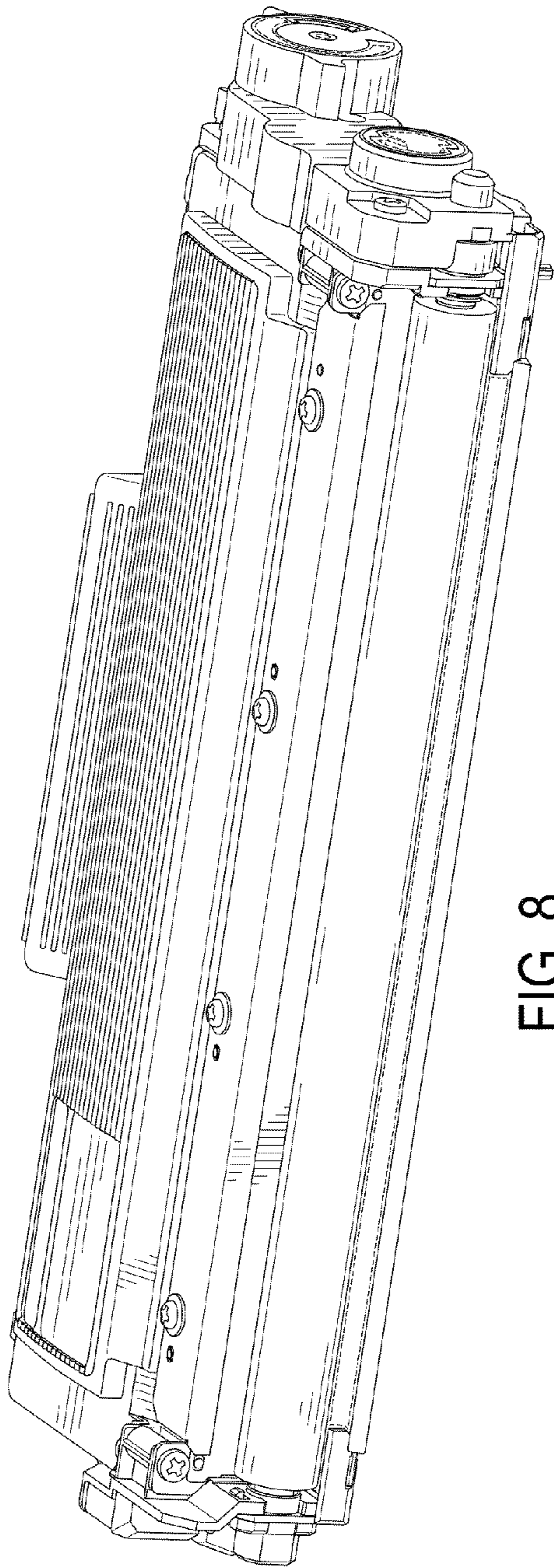


FIG. 8

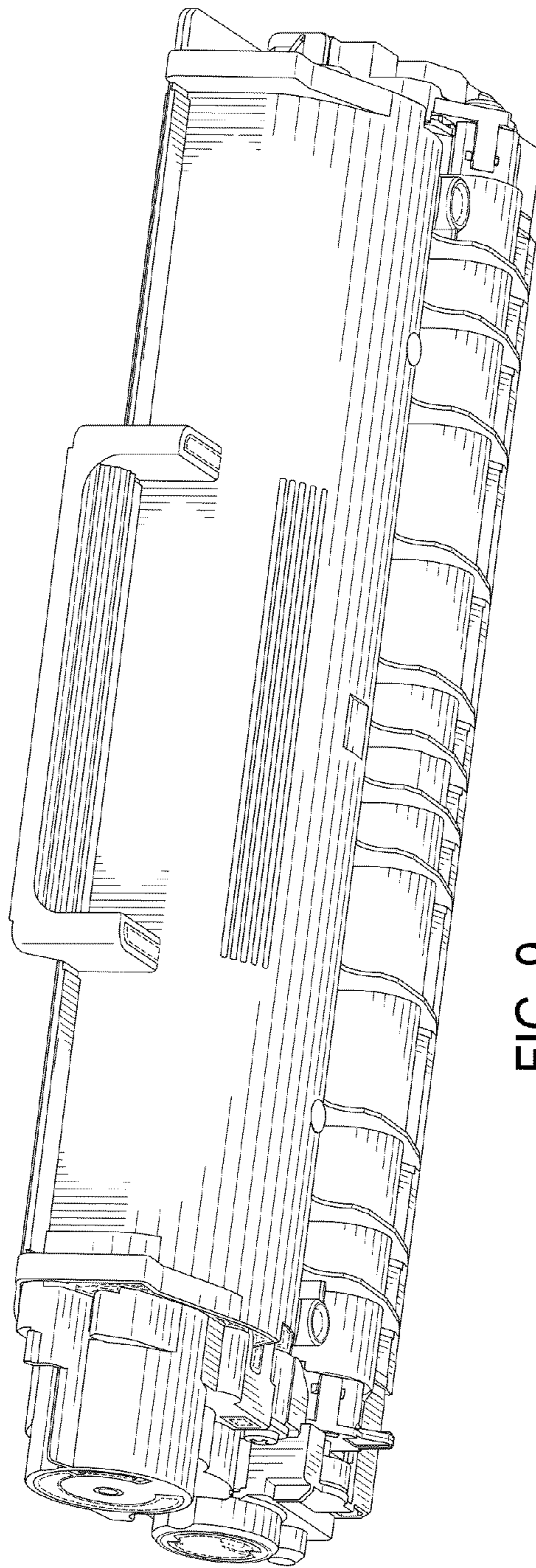


FIG. 9