



US00D723613S

(12) **United States Design Patent**  
**Shimizu**

(10) **Patent No.:** **US D723,613 S**  
(45) **Date of Patent:** **\*\* Mar. 3, 2015**

(54) **CAP PART FOR A TONER CARTRIDGE**

(71) Applicant: **Brother Industries, Ltd.**, Nagoya-shi,  
Aichi-ken (JP)

(72) Inventor: **Keita Shimizu**, Tsushima (JP)

(73) Assignee: **Brother Industries, Ltd.**, Nagoya (JP)

(\*\*) Term: **14 Years**

(21) Appl. No.: **29/494,762**

(22) Filed: **Jun. 24, 2014**

(30) **Foreign Application Priority Data**

Dec. 26, 2013 (JP) ..... 2013-30488

(51) **LOC (10) Cl.** ..... **16-03**

(52) **U.S. Cl.**  
USPC ..... **D18/43**

(58) **Field of Classification Search**

CPC ..... G03G 15/0881; G03G 15/0886; G03G  
15/0877; G03G 15/0898

USPC ..... D18/12, 36, 40, 43, 44, 50, 56;  
D14/471; 347/49, 50, 197, 222;  
399/11, 106, 120, 230, 262

See application file for complete search history.

(56) **References Cited**

**U.S. PATENT DOCUMENTS**

6,424,812 B1 \* 7/2002 Hsu ..... 399/262  
7,577,386 B2 \* 8/2009 Li et al. .... 399/262  
D606,583 S \* 12/2009 Kurenuma et al. .... D18/43

7,729,644 B2 \* 6/2010 Thornton et al. .... 399/262  
D636,813 S \* 4/2011 Kikuchi et al. .... D18/43  
D648,781 S \* 11/2011 Sakai et al. .... D18/43  
D652,074 S \* 1/2012 Sakai et al. .... D18/43  
D712,455 S \* 9/2014 Koshimori et al. .... D18/43  
D712,459 S \* 9/2014 Koshimori et al. .... D18/43  
D712,462 S \* 9/2014 Koshimori et al. .... D18/43

**FOREIGN PATENT DOCUMENTS**

CN 201230069345.4 3/2012  
CN 201330088144.3 3/2013

\* cited by examiner

*Primary Examiner* — Eric Goodman

*Assistant Examiner* — Amy Wierenga

(74) *Attorney, Agent, or Firm* — Oliff PLC

(57) **CLAIM**

The ornamental design for a cap part for a toner cartridge, as shown and described.

**DESCRIPTION**

FIG. 1 is a front, top perspective view of a cap part for a toner cartridge;

FIG. 2 is a front view thereof;

FIG. 3 is a top view thereof;

FIG. 4 is a right-side view thereof;

FIG. 5 is a left-side view thereof;

FIG. 6 is a rear view thereof;

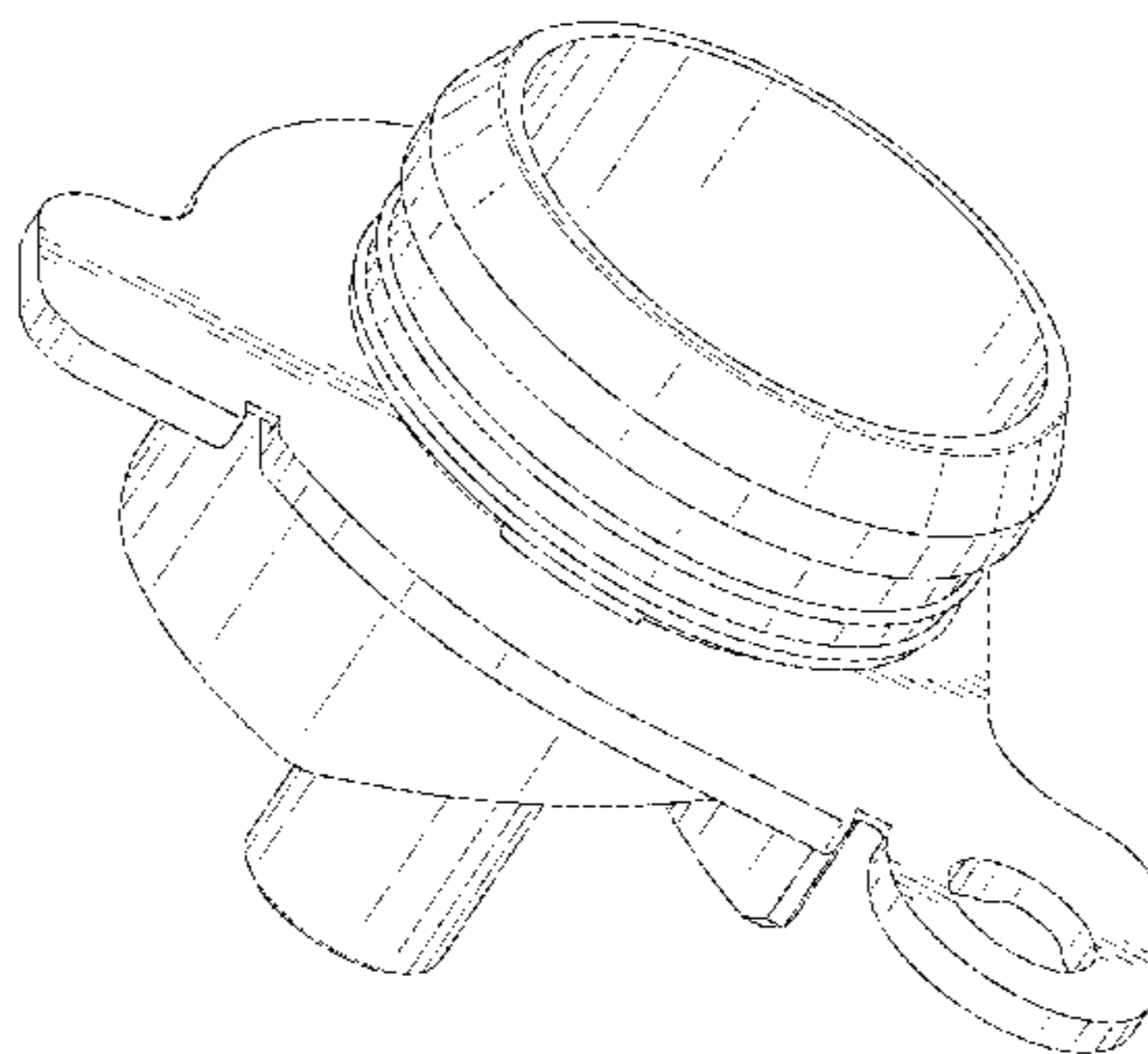
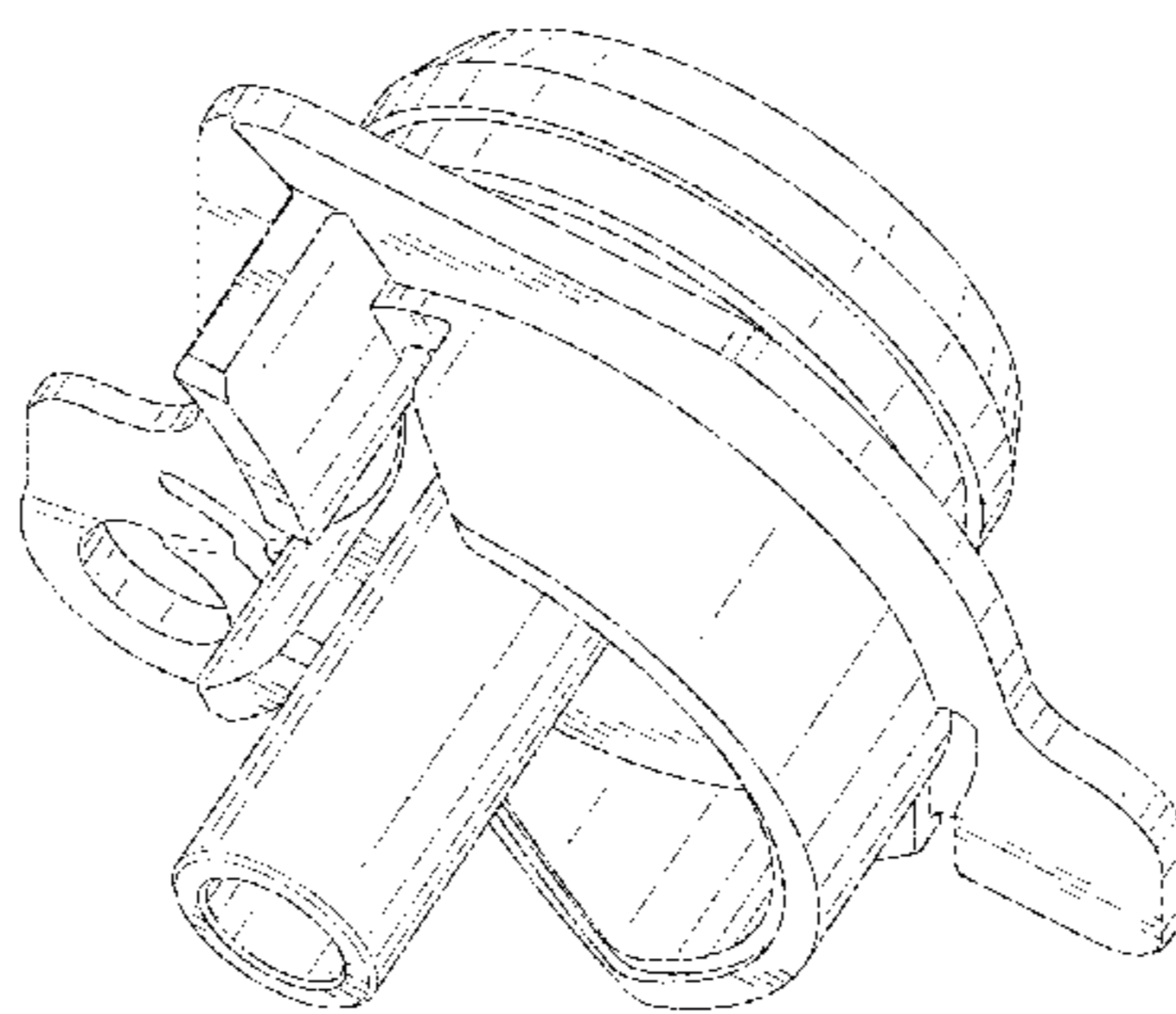
FIG. 7 is a bottom view thereof;

FIG. 8 is a rear, top perspective view thereof;

FIG. 9 is a front, bottom perspective view thereof; and,

FIG. 10 is a cross-sectional view taken along line 10-10 in FIG. 2.

**1 Claim, 10 Drawing Sheets**



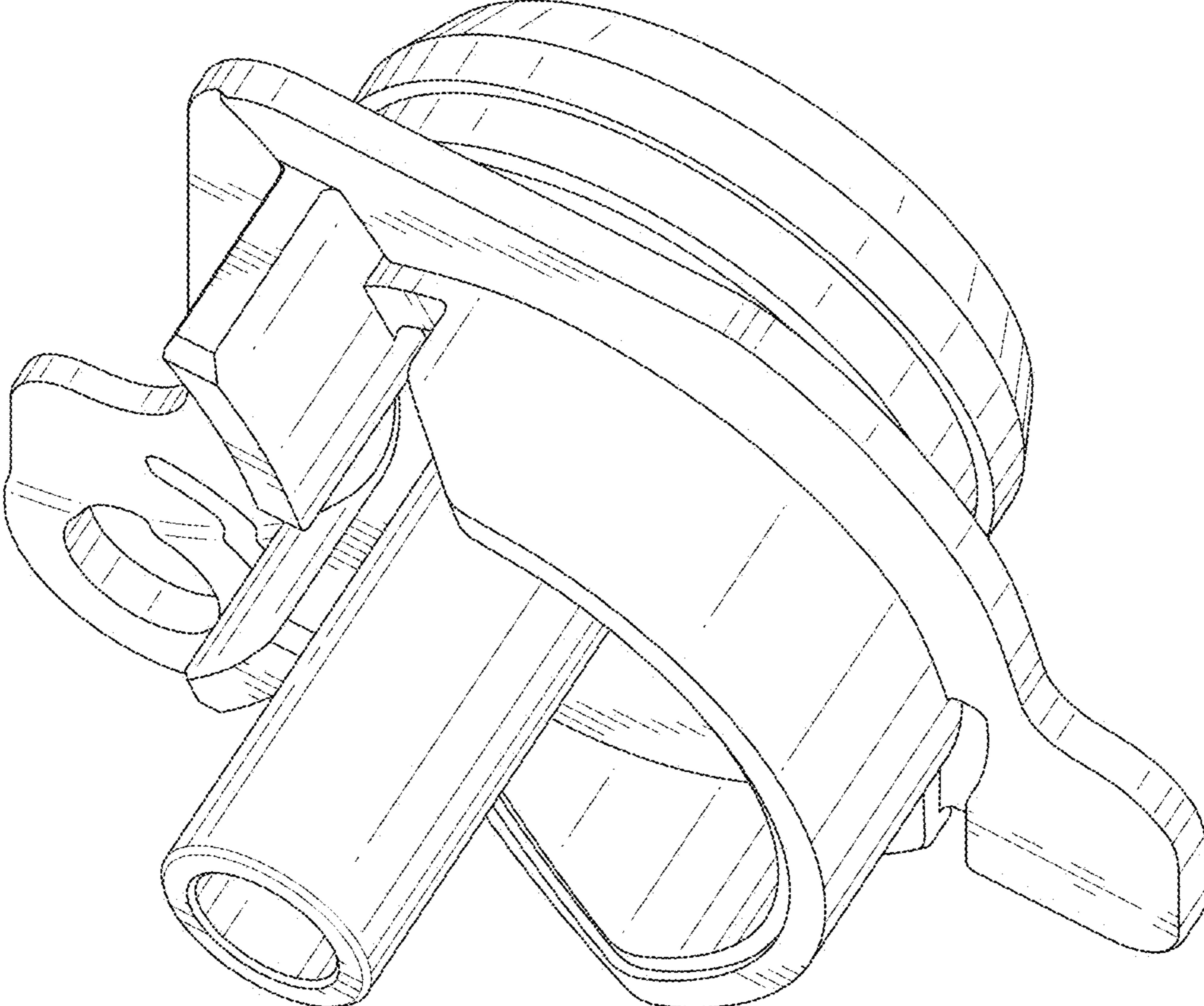


FIG. 1

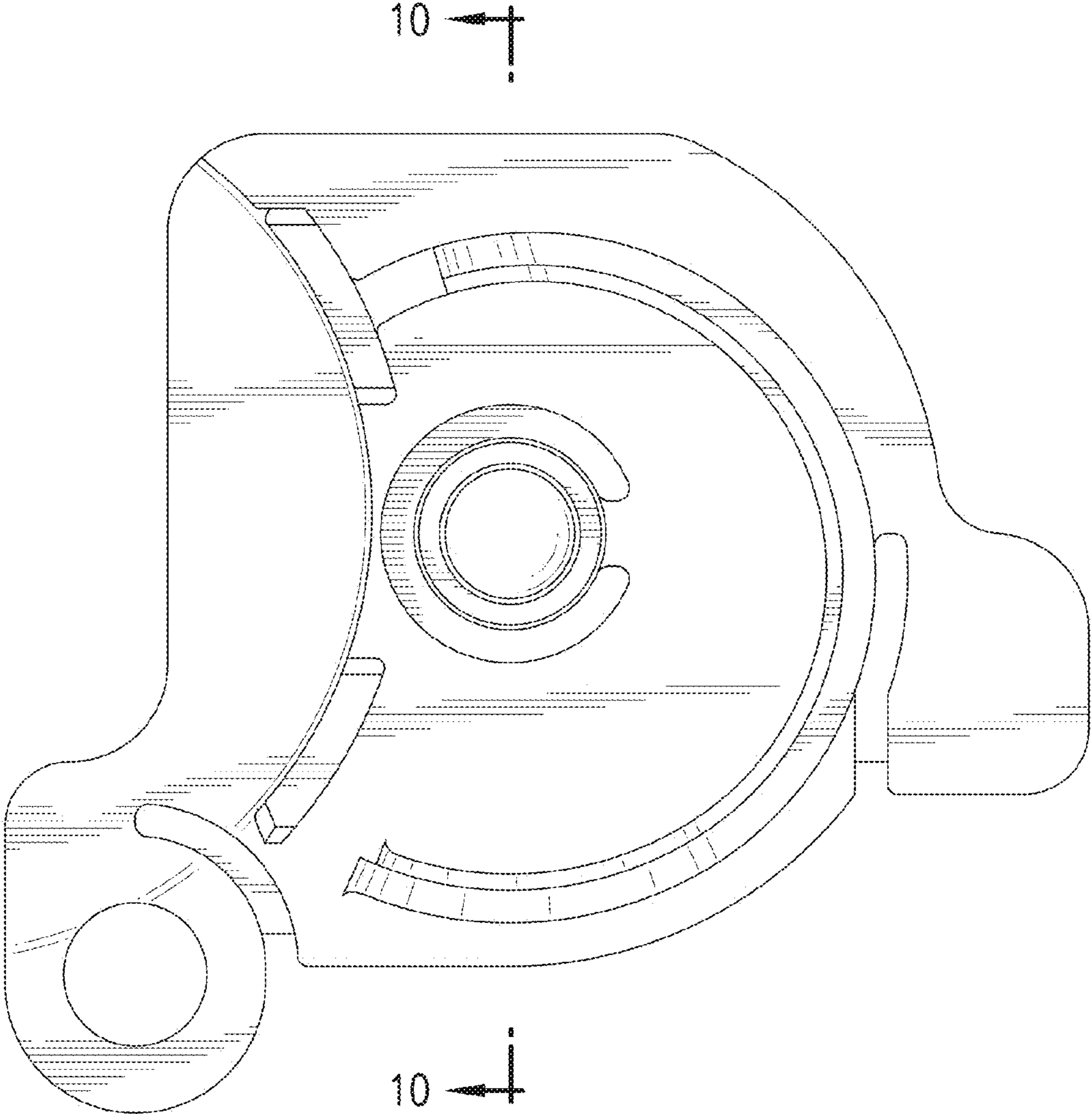


FIG. 2

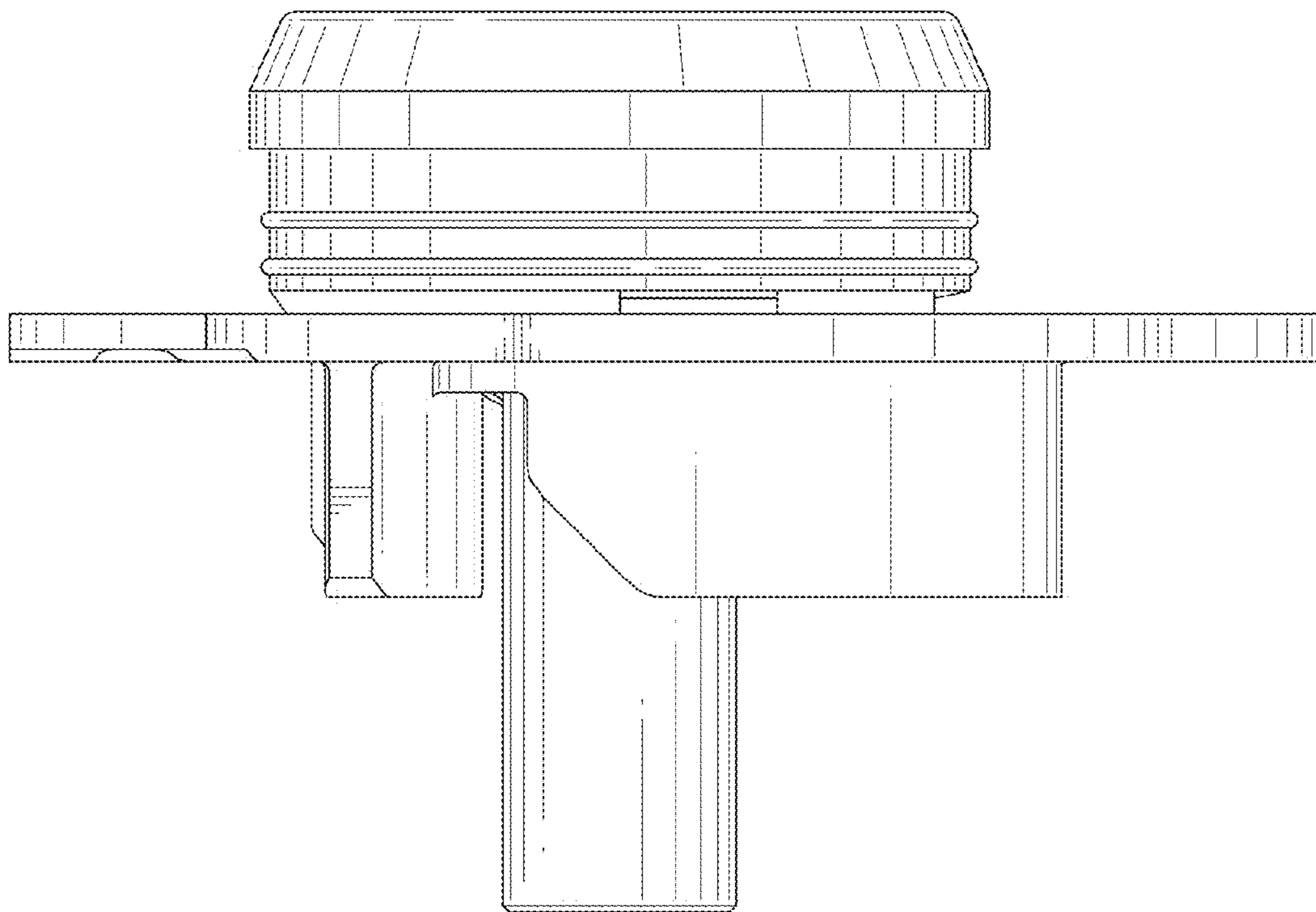


FIG. 3

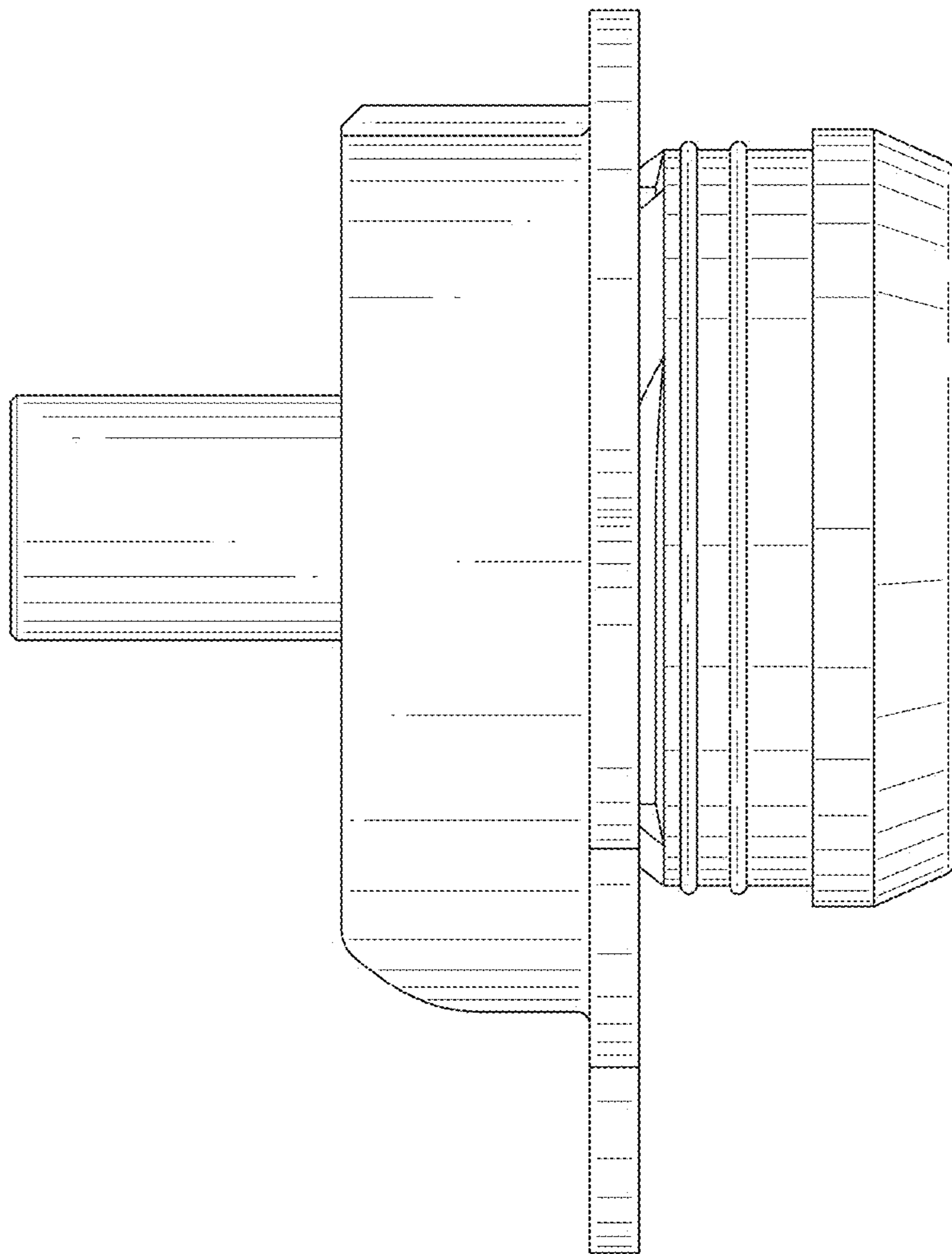


FIG. 4

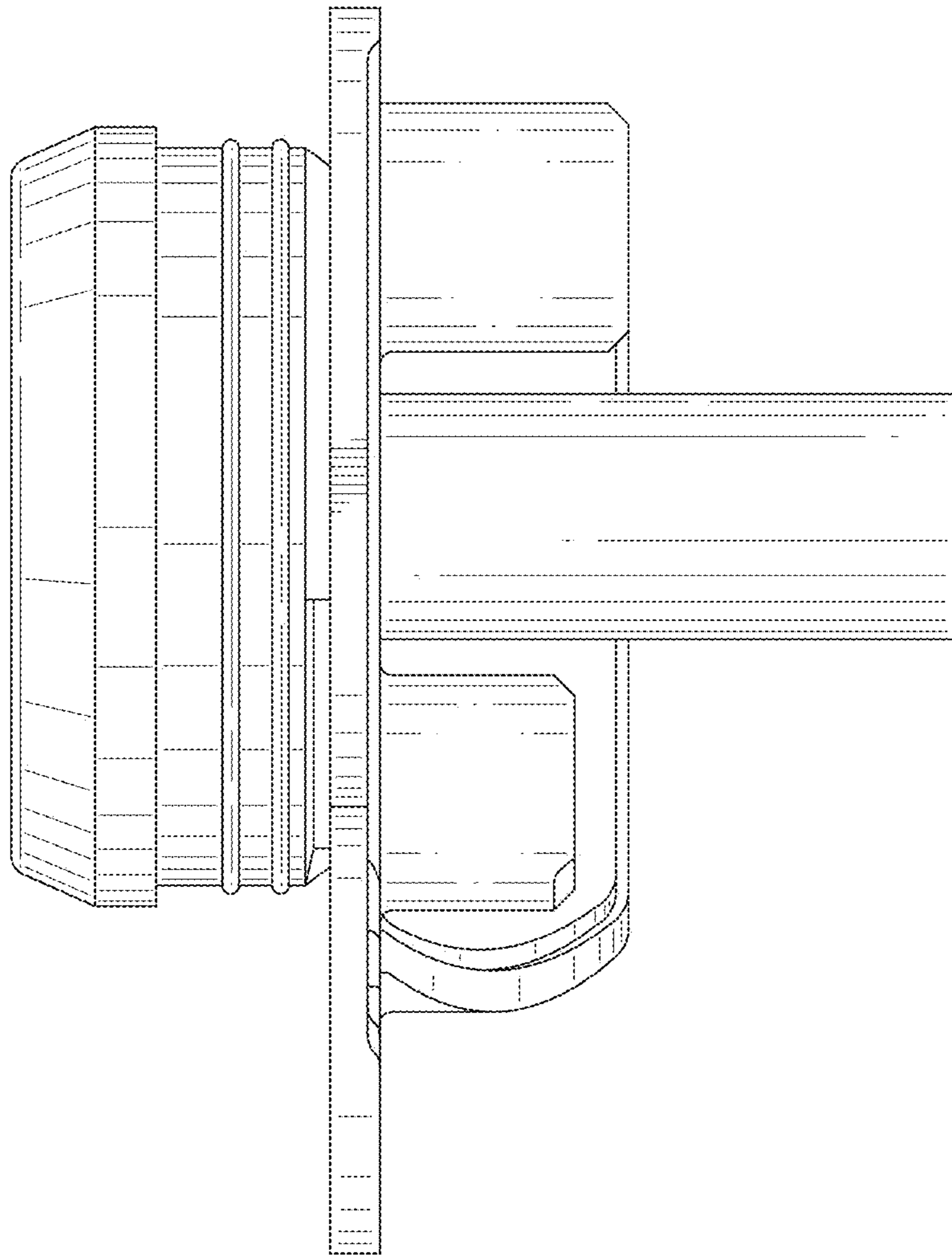


FIG. 5

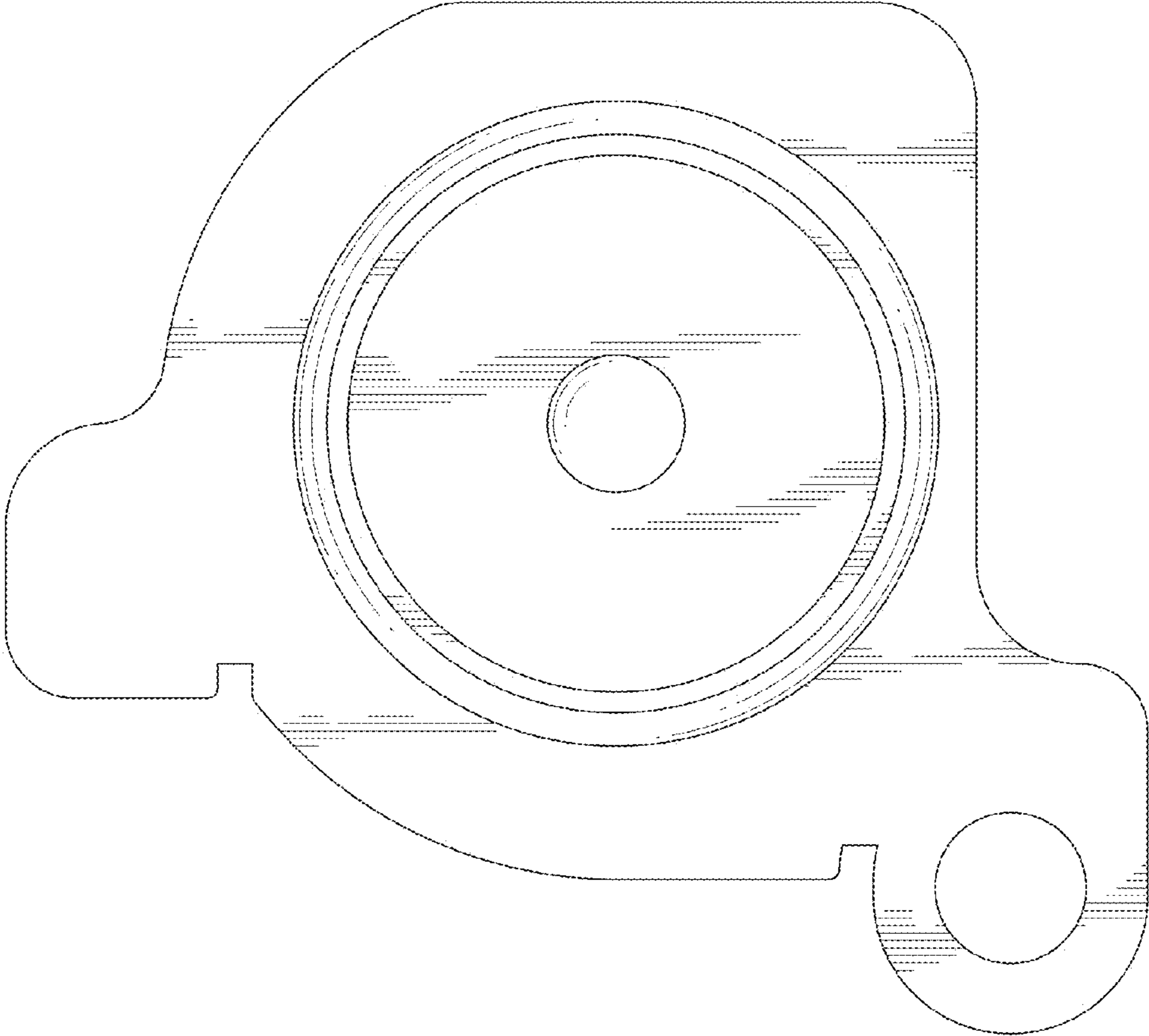


FIG. 6

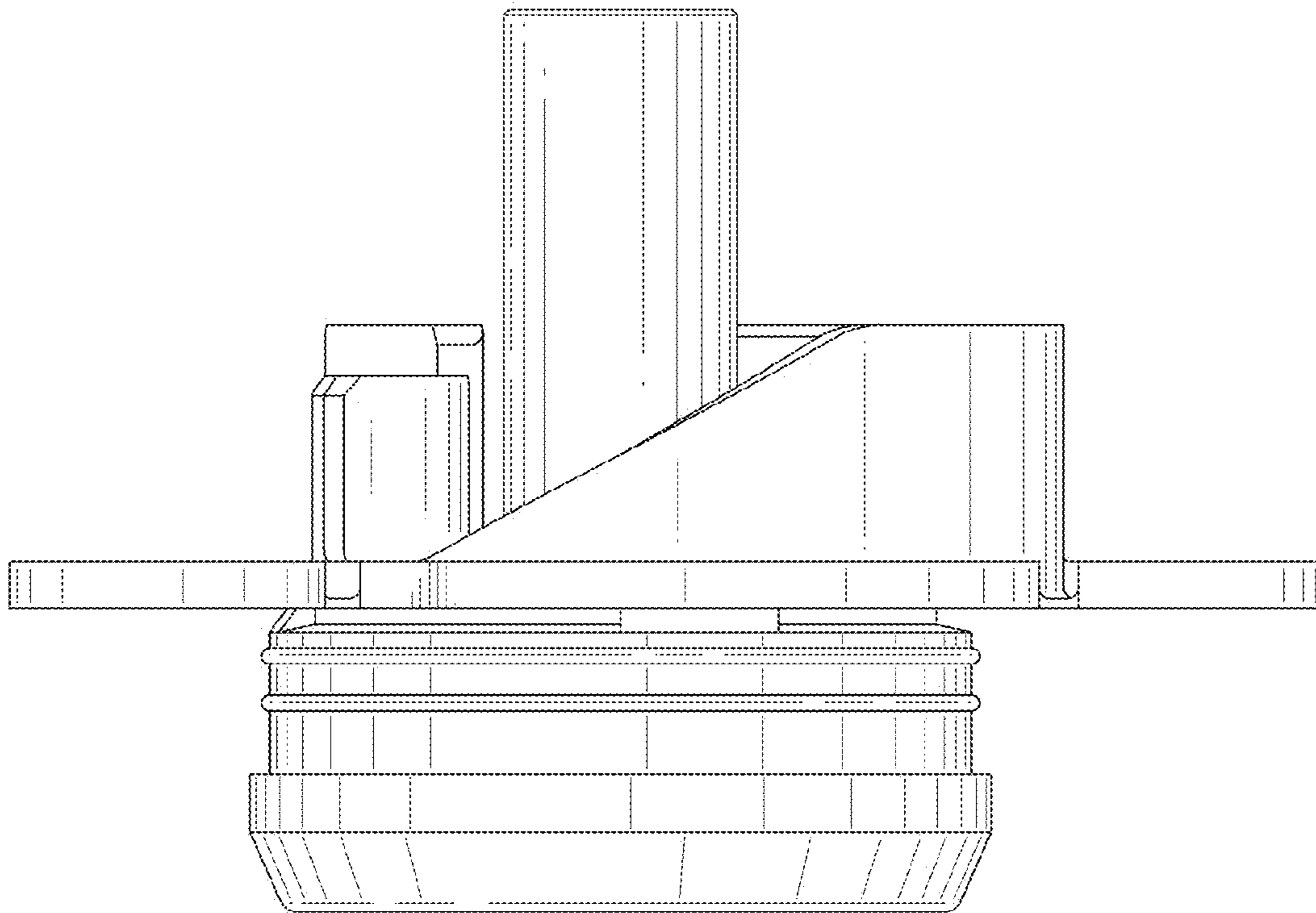


FIG. 7



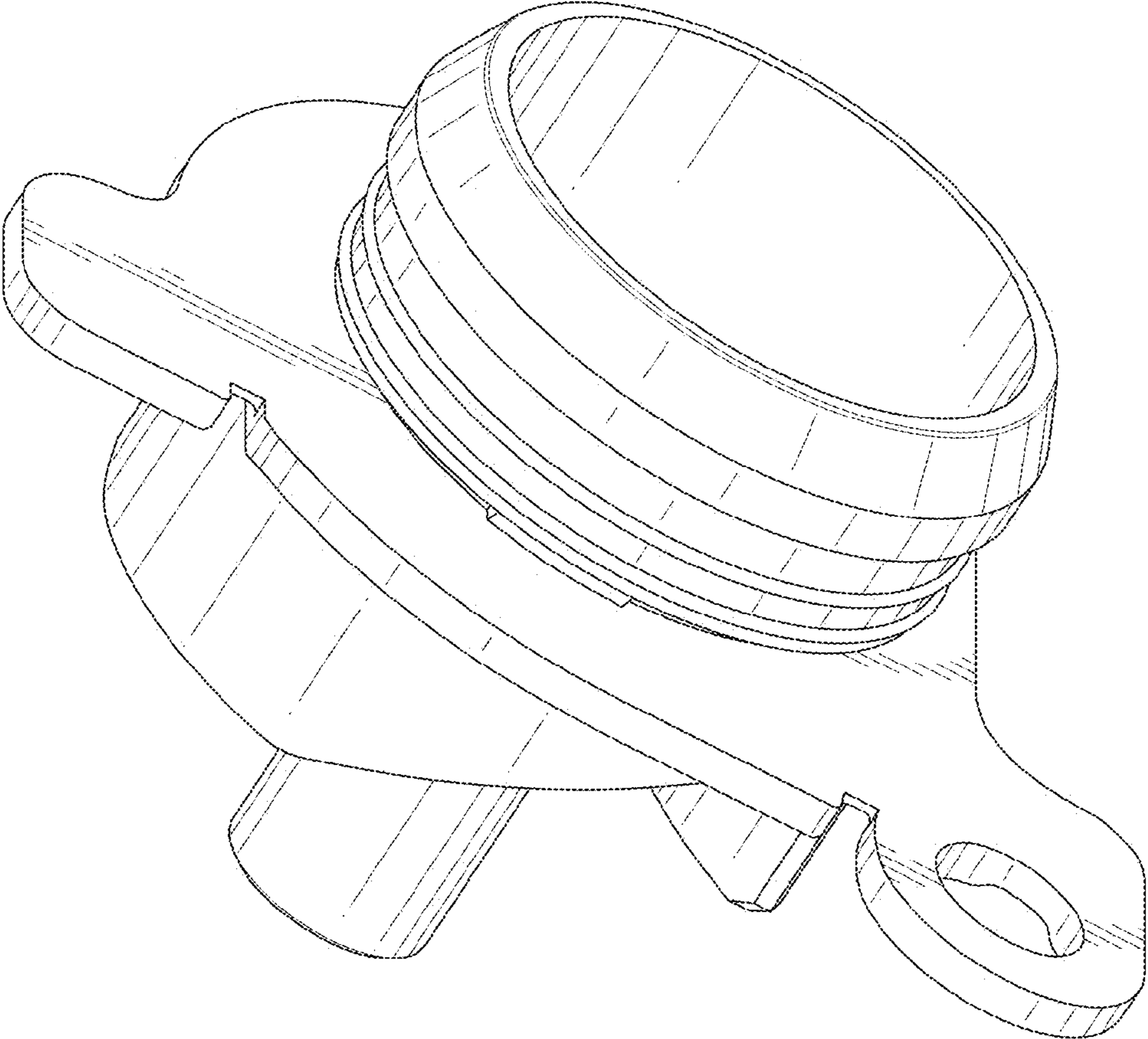


FIG. 8

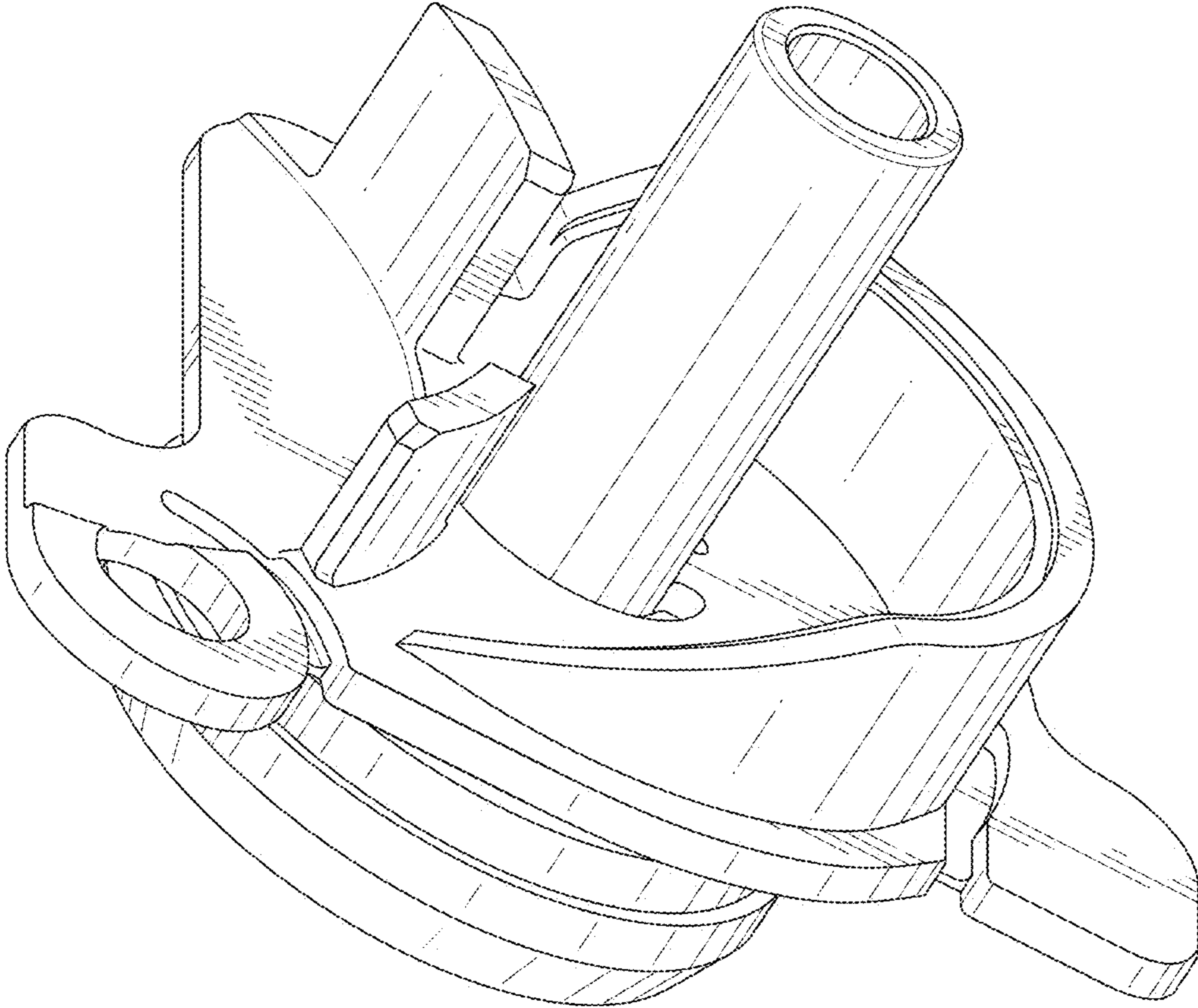


FIG. 9

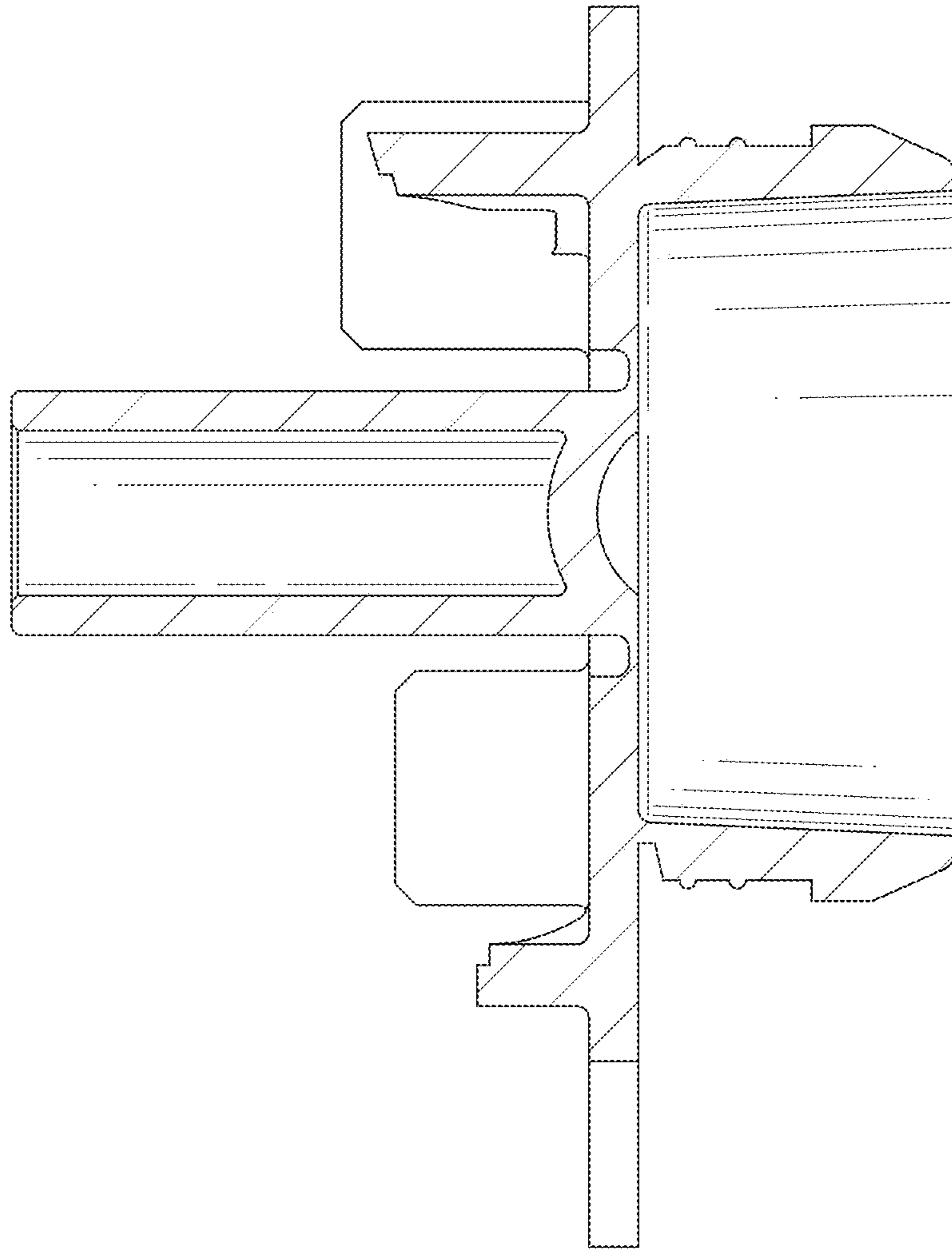


FIG. 10