



US00D723612S

(12) **United States Design Patent**
Chiang

(10) **Patent No.:** **US D723,612 S**

(45) **Date of Patent:** **** Mar. 3, 2015**

(54) **SWIMMING GOGGLES**

D585,472 S * 1/2009 Chiang D16/311
D589,077 S * 3/2009 Chiang D16/303
D668,286 S * 10/2012 Chiang D16/311

(71) Applicant: **Global Esprit Inc.**, New Taipei (TW)

(72) Inventor: **Herman Chiang**, New Taipei (TW)

(73) Assignee: **Global Esprit Inc.**, New Taipei (TW)

(**) Term: **14 Years**

* cited by examiner

Primary Examiner — Raphael Barkai

(74) *Attorney, Agent, or Firm* — Cheng-Ju Chiang

(21) Appl. No.: **29/457,499**

(22) Filed: **Jun. 10, 2013**

(51) **LOC (10) Cl.** **16-06**

(52) **U.S. Cl.**

USPC **D16/311; D16/303**

(58) **Field of Classification Search**

USPC D16/101, 300–342, 900; D29/109–110;
351/41, 44, 51–52, 62, 158, 92,
351/103–123, 140–153, 63, 59, 45–46;
2/426–432, 447–449, 441, 434–437,
2/13, 15; D21/483, 659–661; D14/372

See application file for complete search history.

(57) **CLAIM**

The ornamental design for swimming goggles, as shown and described.

DESCRIPTION

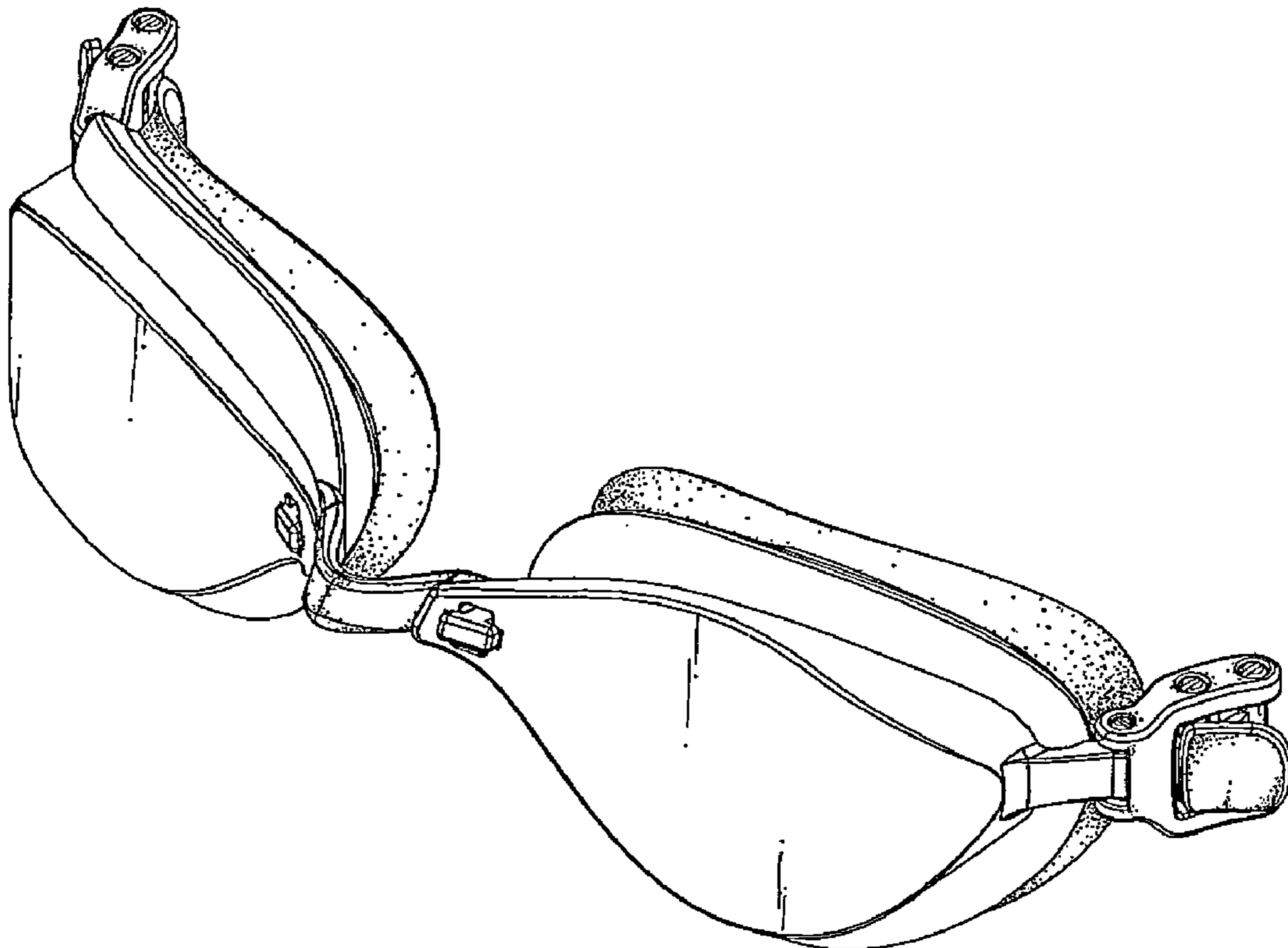
FIG. 1 is a perspective view of swimming goggles showing my new design;
FIG. 2 is a front elevational view thereof;
FIG. 3 is a rear elevational view thereof;
FIG. 4 is a left elevational view thereof;
FIG. 5 is a right elevational view thereof;
FIG. 6 is a top plan view thereof; and,
FIG. 7 is a bottom plan view thereof.

(56) **References Cited**

U.S. PATENT DOCUMENTS

4,279,039 A * 7/1981 Drew 2/428
D480,101 S * 9/2003 Chiang D16/303

1 Claim, 4 Drawing Sheets



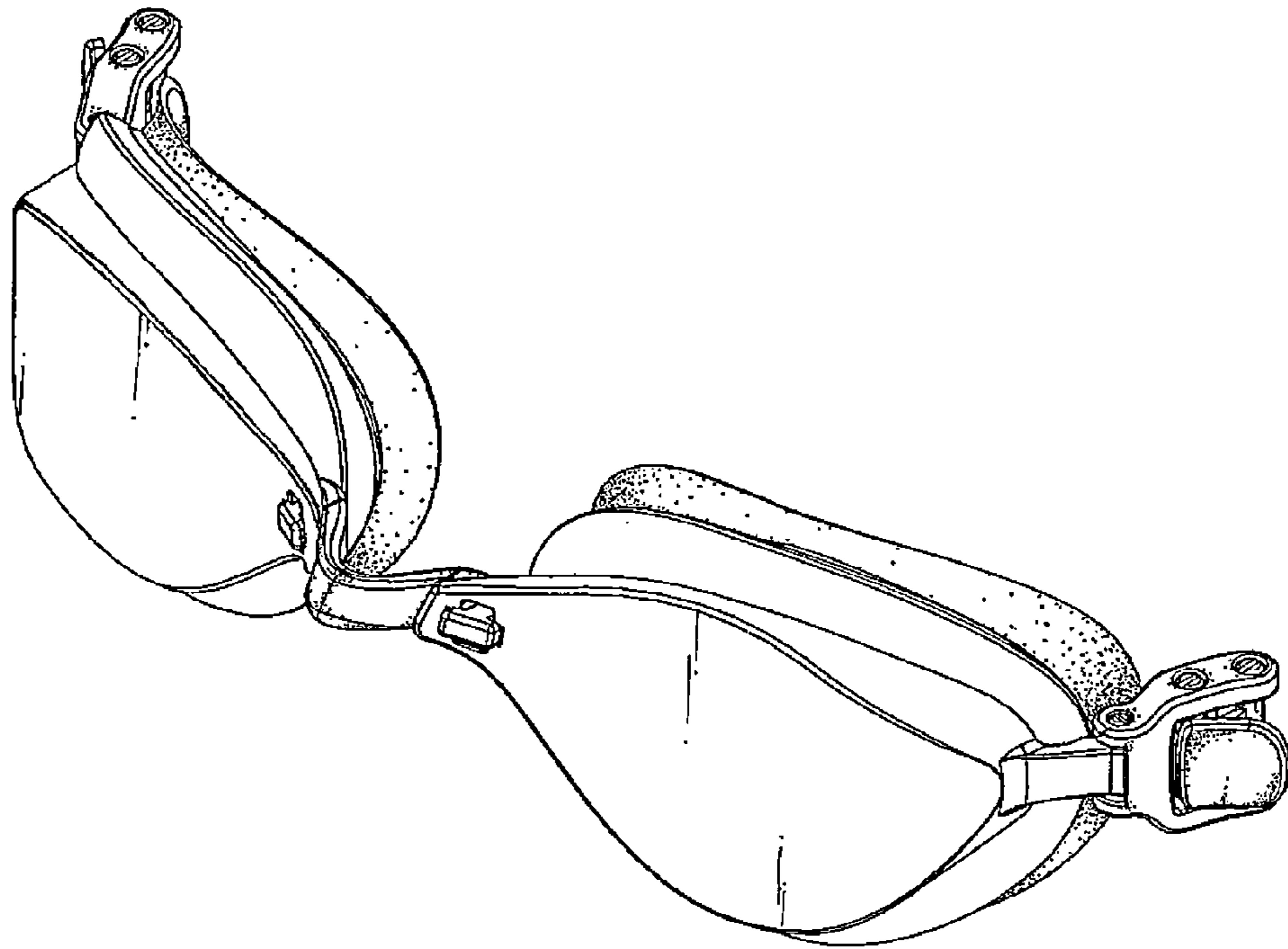


FIG.1

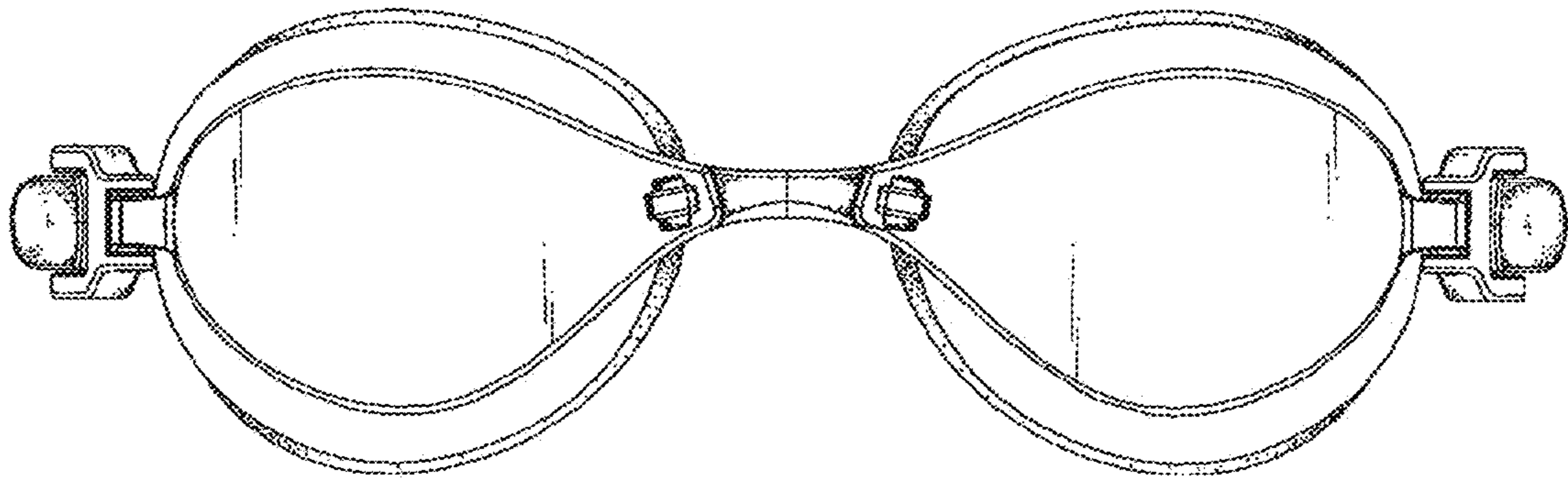


FIG. 2

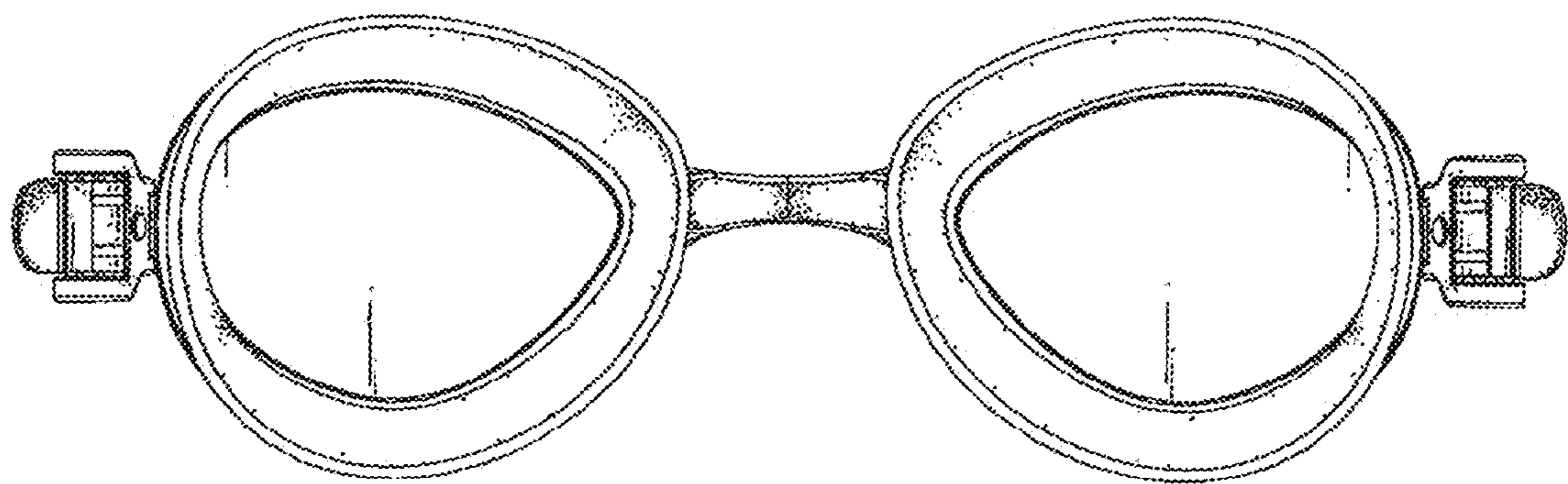


FIG. 3

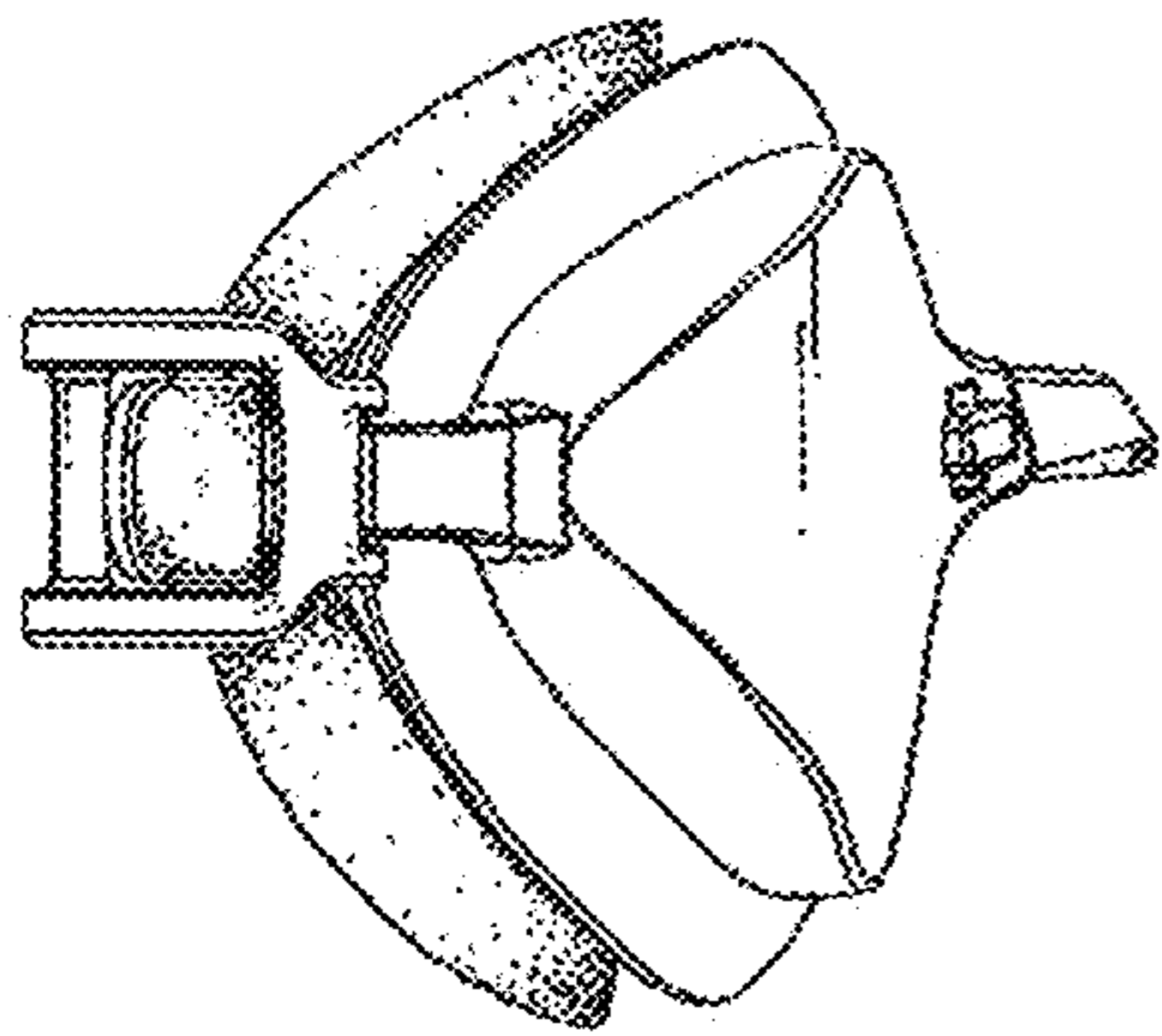


FIG. 4

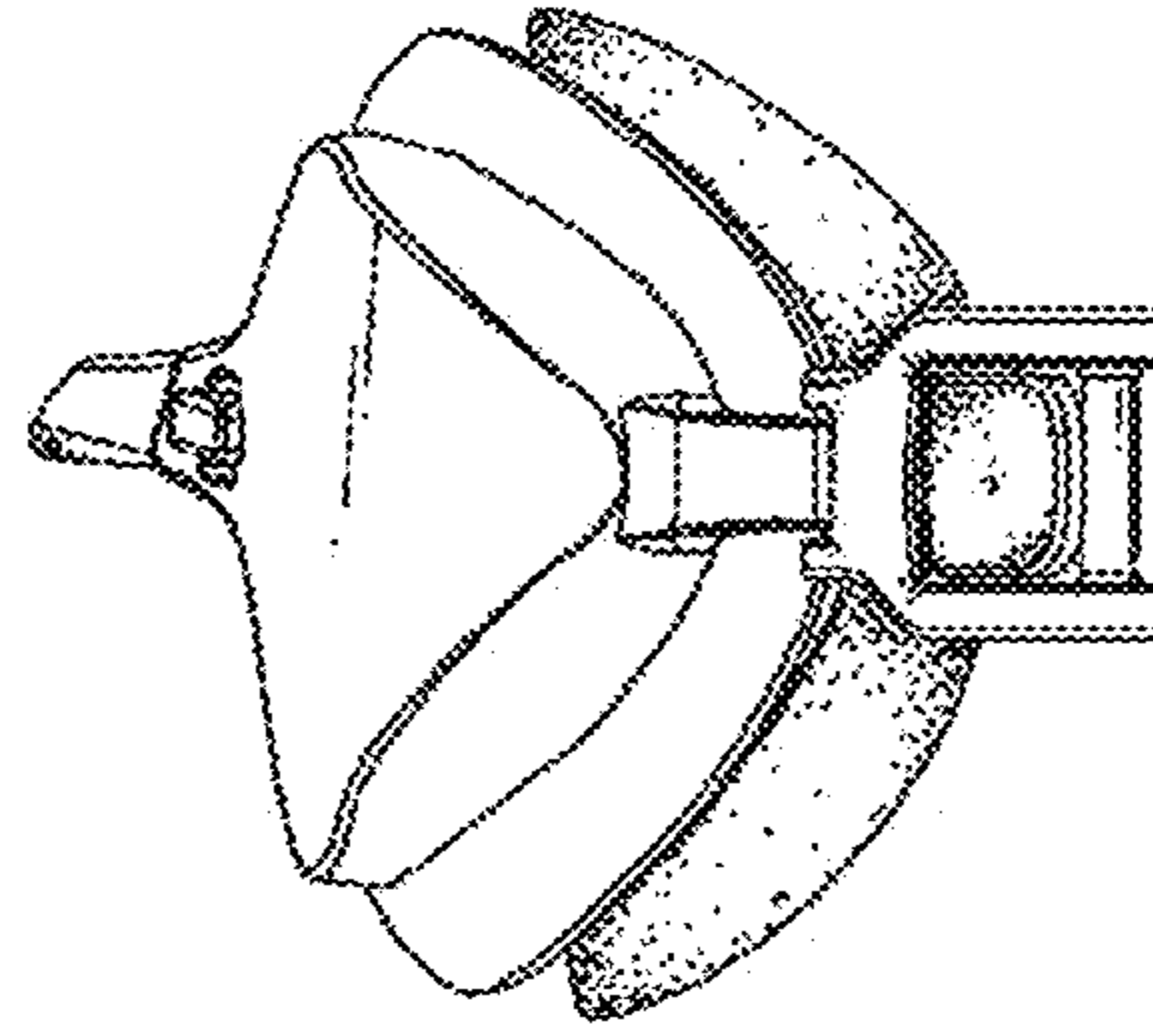


FIG. 5

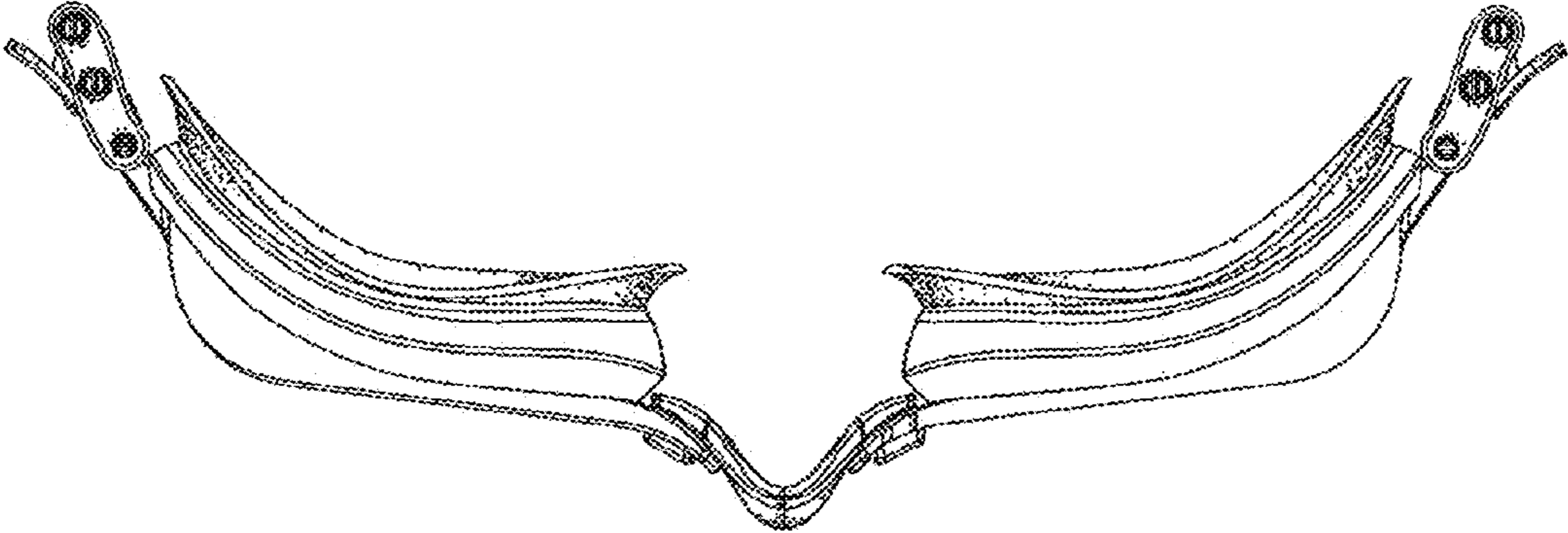


FIG. 6

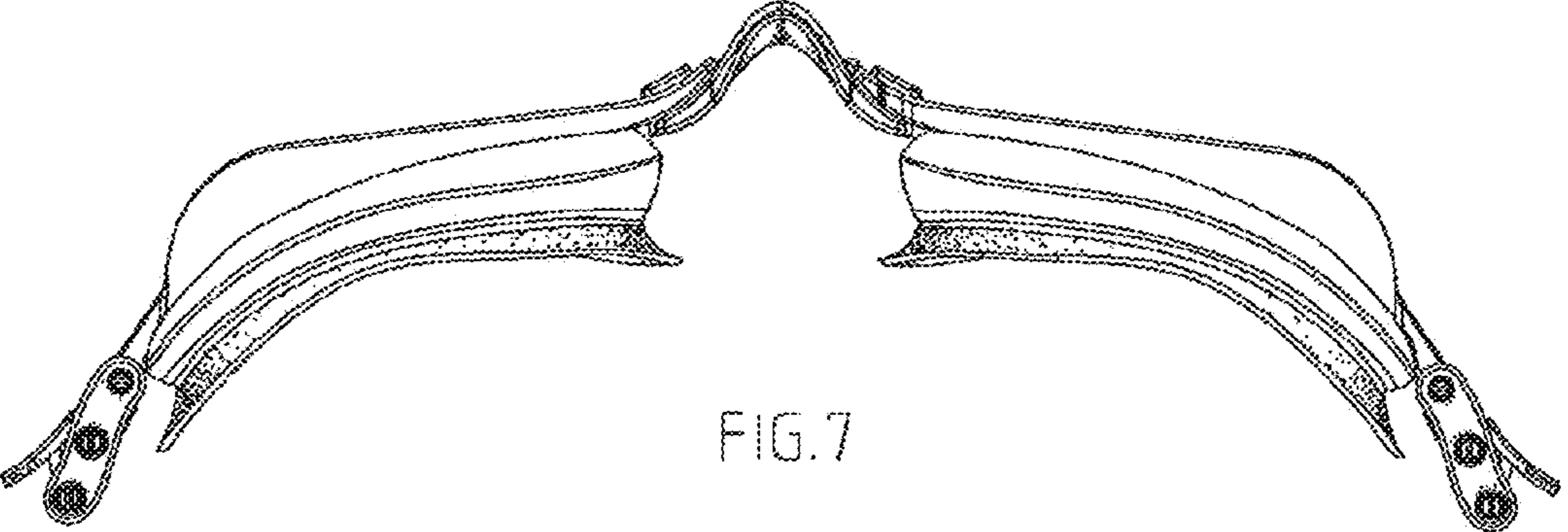


FIG. 7