



US00D723611S

(12) **United States Design Patent**
Chiang

(10) **Patent No.:** **US D723,611 S**
(45) **Date of Patent:** **** Mar. 3, 2015**

(54) **SWIMMING GOGGLES**

(71) Applicant: **Global Esprit Inc.**, New Taipei (TW)
(72) Inventor: **Herman Chiang**, New Taipei (TW)
(73) Assignee: **Global Esprit Inc.**, New Taipei (TW)
(**) Term: **14 Years**

(21) Appl. No.: **29/497,002**
(22) Filed: **Jul. 19, 2014**
(51) **LOC (10) Cl.** **14-03**
(52) **U.S. Cl.**
USPC **D16/303; D16/311**
(58) **Field of Classification Search**
CPC **A63B 33/002**
USPC **D14/125-134, 239, 371, 136, 374-377,**
D14/440, 450, 448, 336, 342, 159, 372;
312/7.2; D16/101, 300-342; 351/41,
351/44, 158; D10/15, 26; 446/484, 175,
446/356; D6/477, 479, 300; 2/426-430,
2/436-437, 440-452

See application file for complete search history.

(56) **References Cited**

U.S. PATENT DOCUMENTS

D504,456 S *	4/2005	Chiang	D16/303
D589,076 S *	3/2009	Chiang	D16/303
D589,077 S *	3/2009	Chiang	D16/303
D601,610 S *	10/2009	Chiang	D16/303
D613,786 S *	4/2010	Chiang	D16/303

* cited by examiner

Primary Examiner — Raphael Barkai
(74) *Attorney, Agent, or Firm* — Cheng-Ju Chiang

(57) **CLAIM**

The ornamental design for swimming goggles, as shown and described.

DESCRIPTION

FIG. 1 is a perspective view of swimming goggles showing my new design;
FIG. 2 is a front elevational view thereof;
FIG. 3 is a rear elevational view thereof;
FIG. 4 is a left elevational view thereof;
FIG. 5 is a right elevational view thereof;
FIG. 6 is a top plan view thereof; and,
FIG. 7 is a bottom plan view thereof.

1 Claim, 4 Drawing Sheets

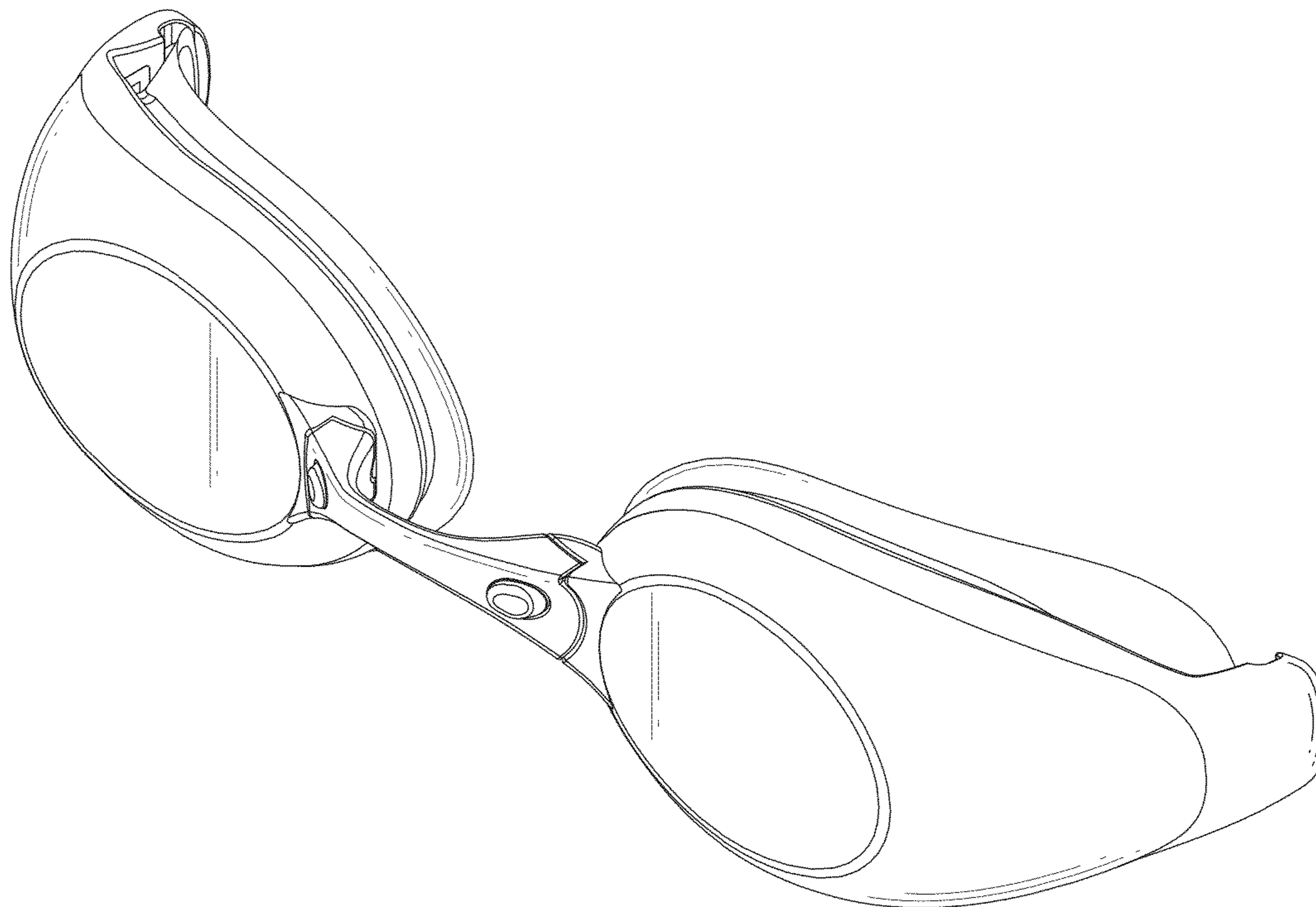




FIG. 1

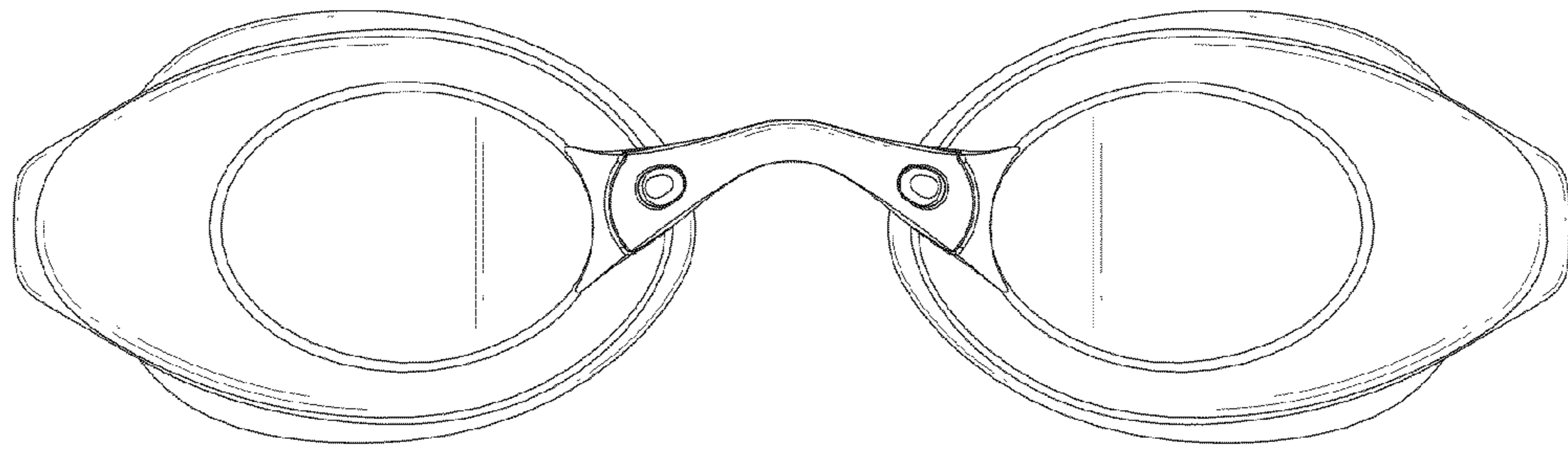


FIG. 2

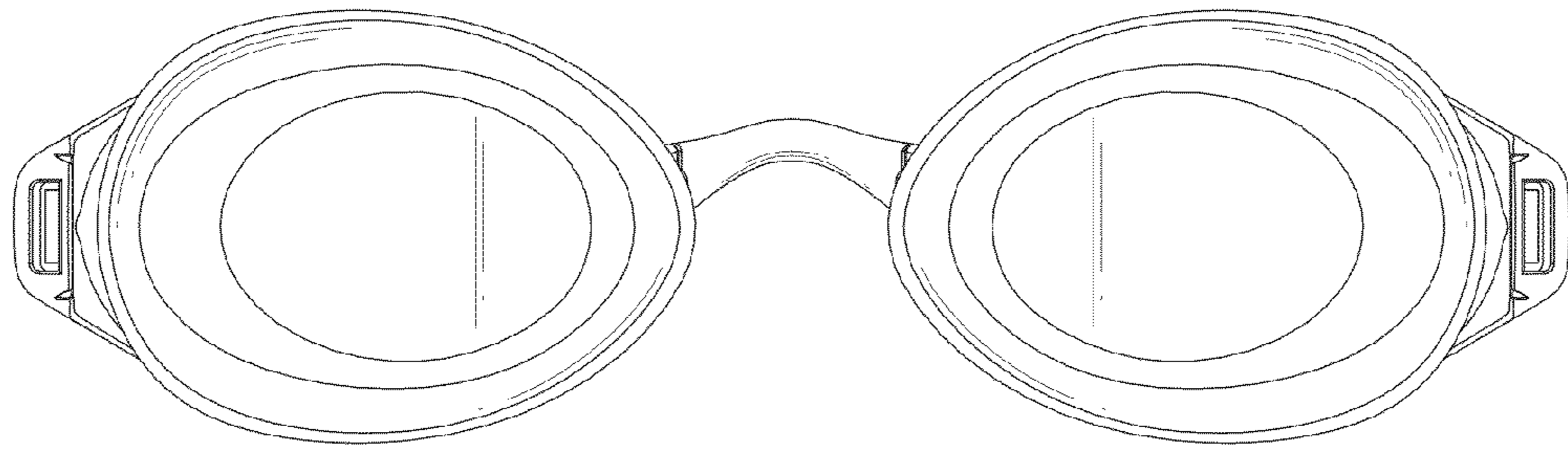


FIG. 3

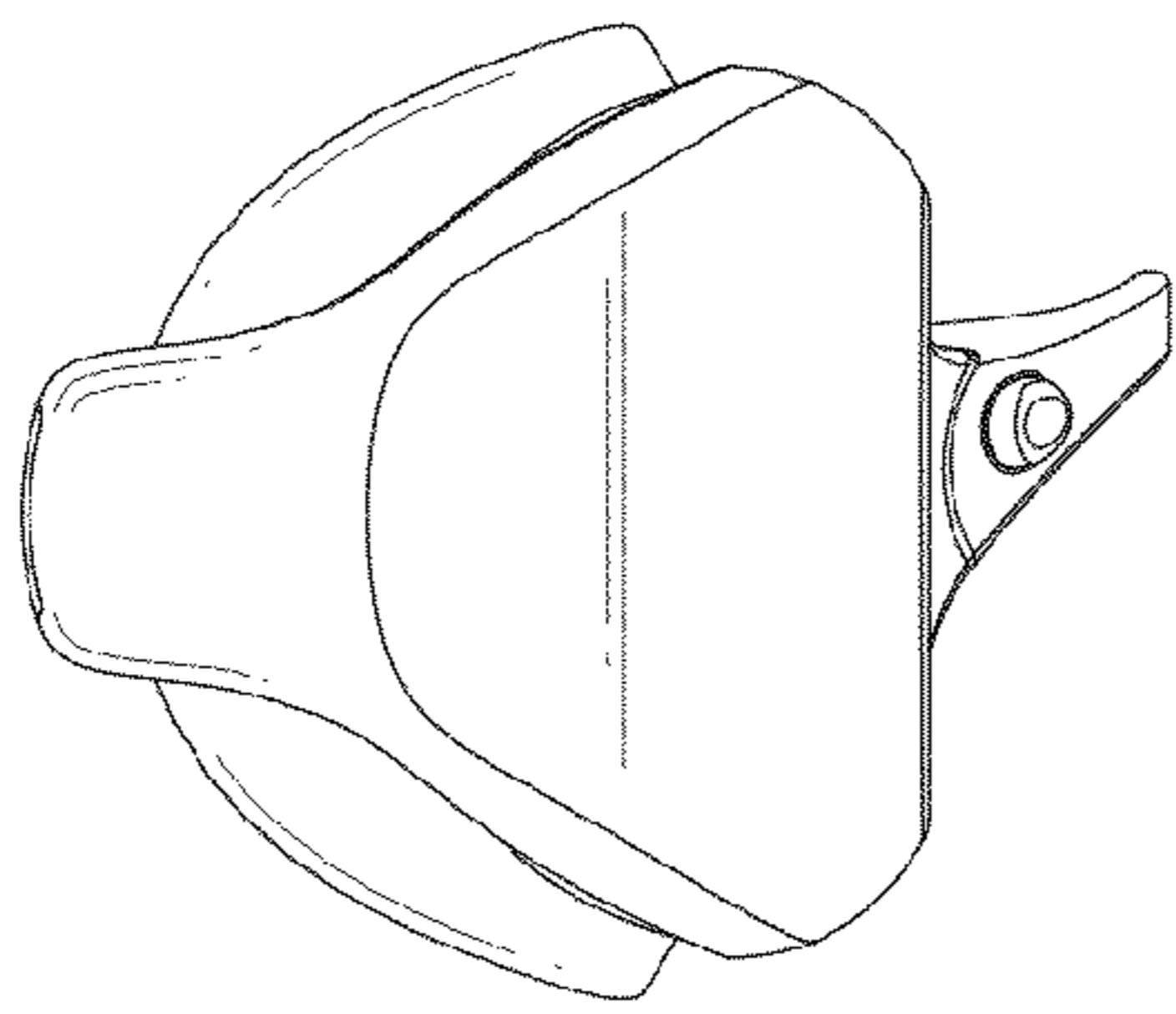


FIG. 4

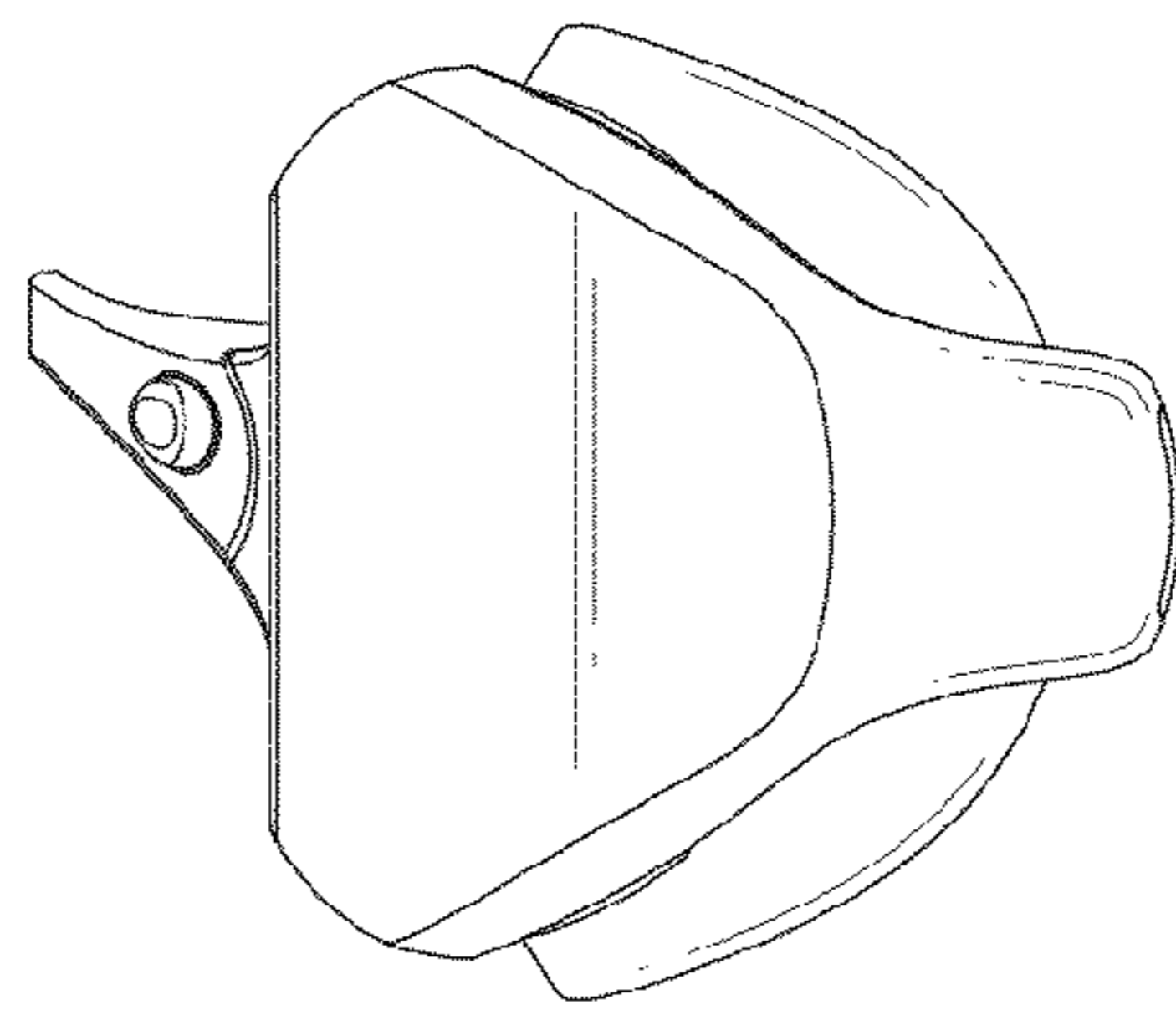


FIG. 5

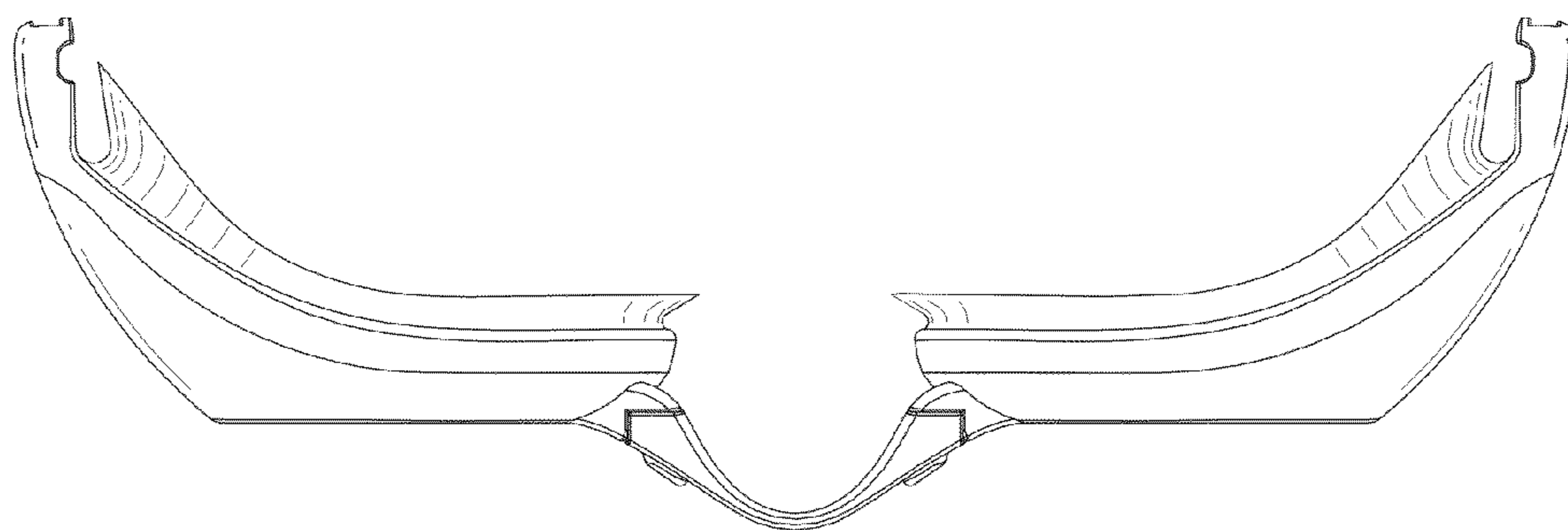


FIG. 6

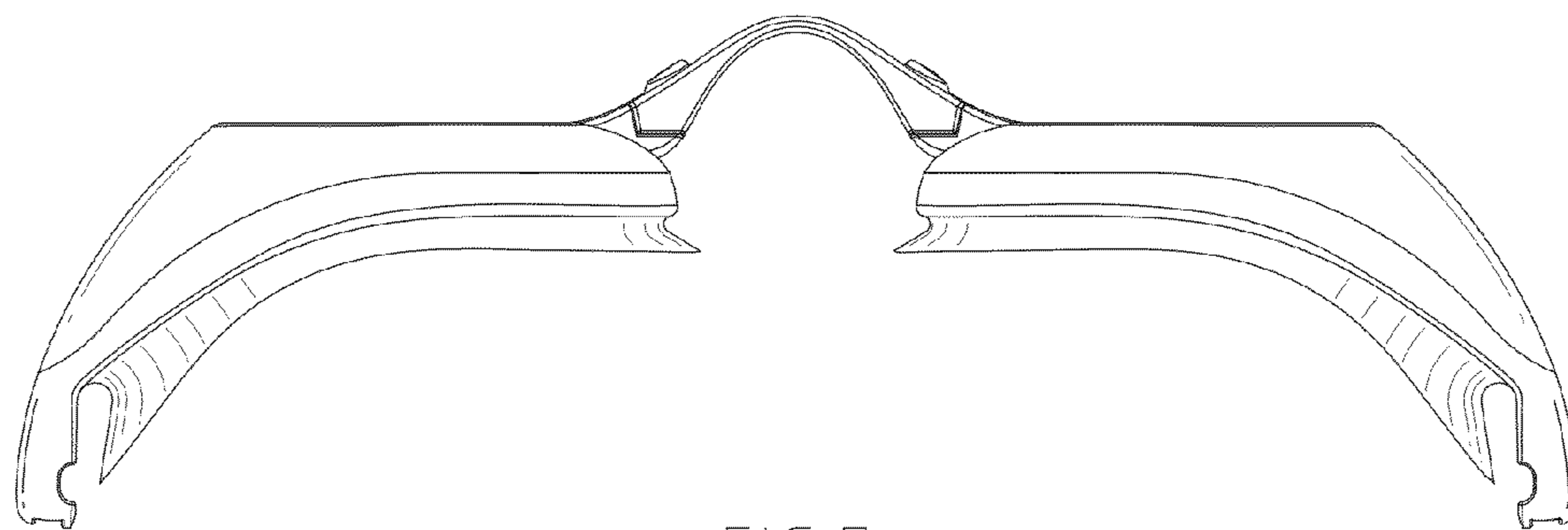


FIG. 7