



US00D723609S

(12) **United States Design Patent**  
**Yamada et al.**

(10) **Patent No.:** **US D723,609 S**  
(45) **Date of Patent:** **\*\* Mar. 3, 2015**

(54) **PROJECTOR**

(71) Applicant: **NEC Display Solutions, Ltd.**,  
Minato-ku, Tokyo (JP)

(72) Inventors: **Takahisa Yamada**, Minato-ku (JP);  
**Mikiya Takeda**, Minato-ku (JP); **Akio**  
**Morita**, Minato-ku (JP); **Tomonori**  
**Yamaguchi**, Minato-ku (JP); **Yoshinao**  
**Segawa**, Ota-ku (JP); **Tetsuya Nagata**,  
Ota-ku (JP); **Takuji Katsutani**, Ota-ku  
(JP)

(73) Assignee: **NEC Display Solutions, Ltd.**, Tokyo  
(JP)

(\*\*) Term: **14 Years**

(21) Appl. No.: **29/476,141**

(22) Filed: **Dec. 11, 2013**

(30) **Foreign Application Priority Data**

Jun. 11, 2013 (JP) ..... 2013-013178

(51) **LOC (10) Cl.** ..... **16-02**

(52) **U.S. Cl.**  
USPC ..... **D16/235; D16/230**

(58) **Field of Classification Search**  
USPC ..... D16/221, 225, 230–231, 234–235, 205,  
D16/208; D21/514; 352/242, 34; 353/115,  
353/119, 122  
See application file for complete search history.

(56) **References Cited**

U.S. PATENT DOCUMENTS

D498,491	S	*	11/2004	Ohki et al.	.....	D16/235
D653,690	S	*	2/2012	Takeda et al.	.....	D16/235
D659,738	S	*	5/2012	Yamada et al.	.....	D16/235
D661,333	S	*	6/2012	Takeda et al.	.....	D16/235
D690,759	S	*	10/2013	Moriya et al.	.....	D16/230

\* cited by examiner

*Primary Examiner* — Wan Laymon

(74) *Attorney, Agent, or Firm* — Sughrue Mion, PLLC

(57) **CLAIM**

The ornamental design for a projector, as shown and described.

**DESCRIPTION**

FIG. 1 is a front, right side, top perspective view of a projector showing our new design;

FIG. 2 is a front elevational view thereof;

FIG. 3 is a rear elevational view thereof;

FIG. 4 is a left side view thereof;

FIG. 5 is a right side view thereof;

FIG. 6 is a top plan view thereof;

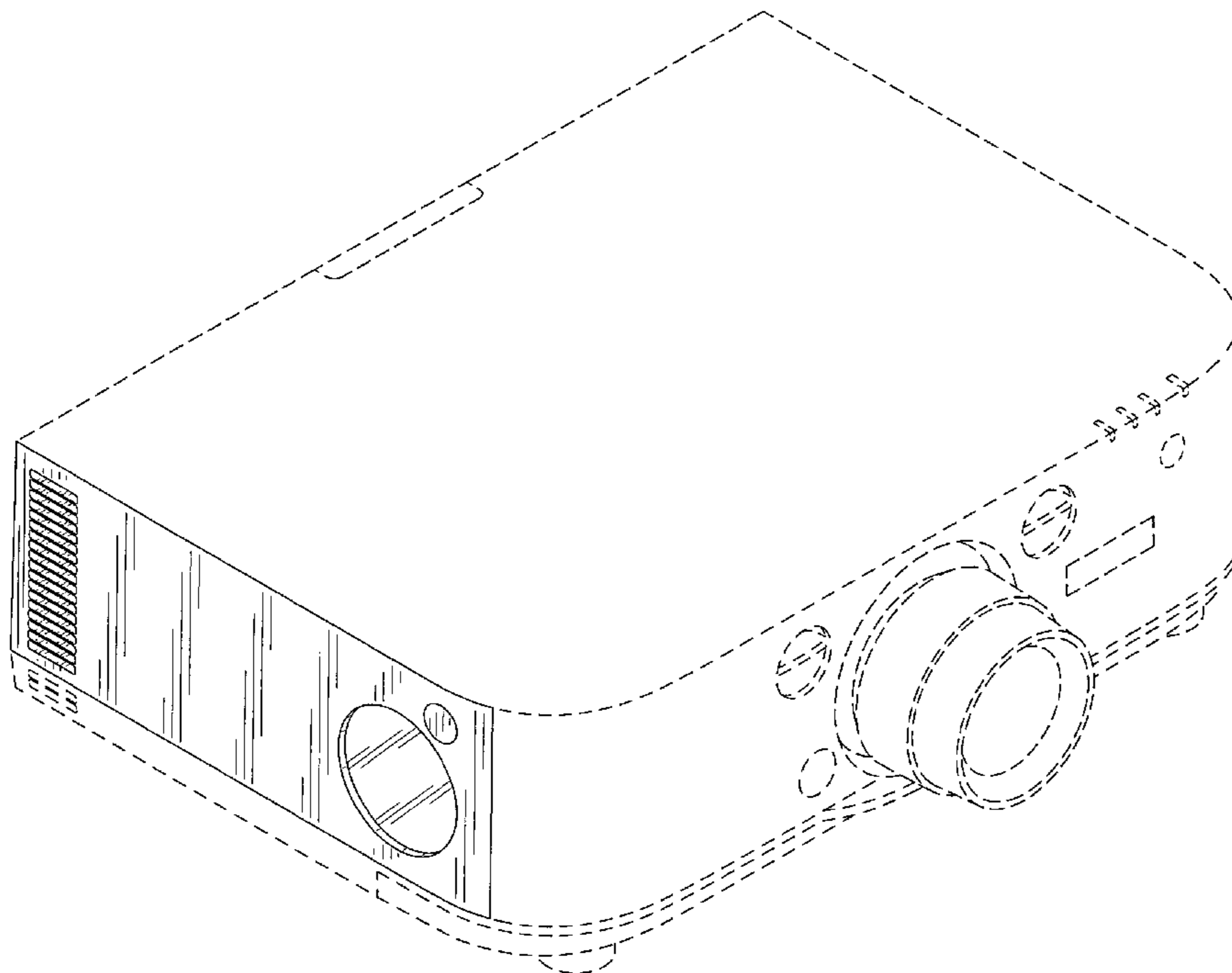
FIG. 7 is a bottom plan view thereof;

FIG. 8 is a reference front elevational view thereof, showing a text display example; and,

FIG. 9 is a reference enlarged view taken along at 9 shown in FIG. 8 thereof.

The broken lines shown in the figures represent portions of the projector that form no part of the claimed design.

**1 Claim, 7 Drawing Sheets**



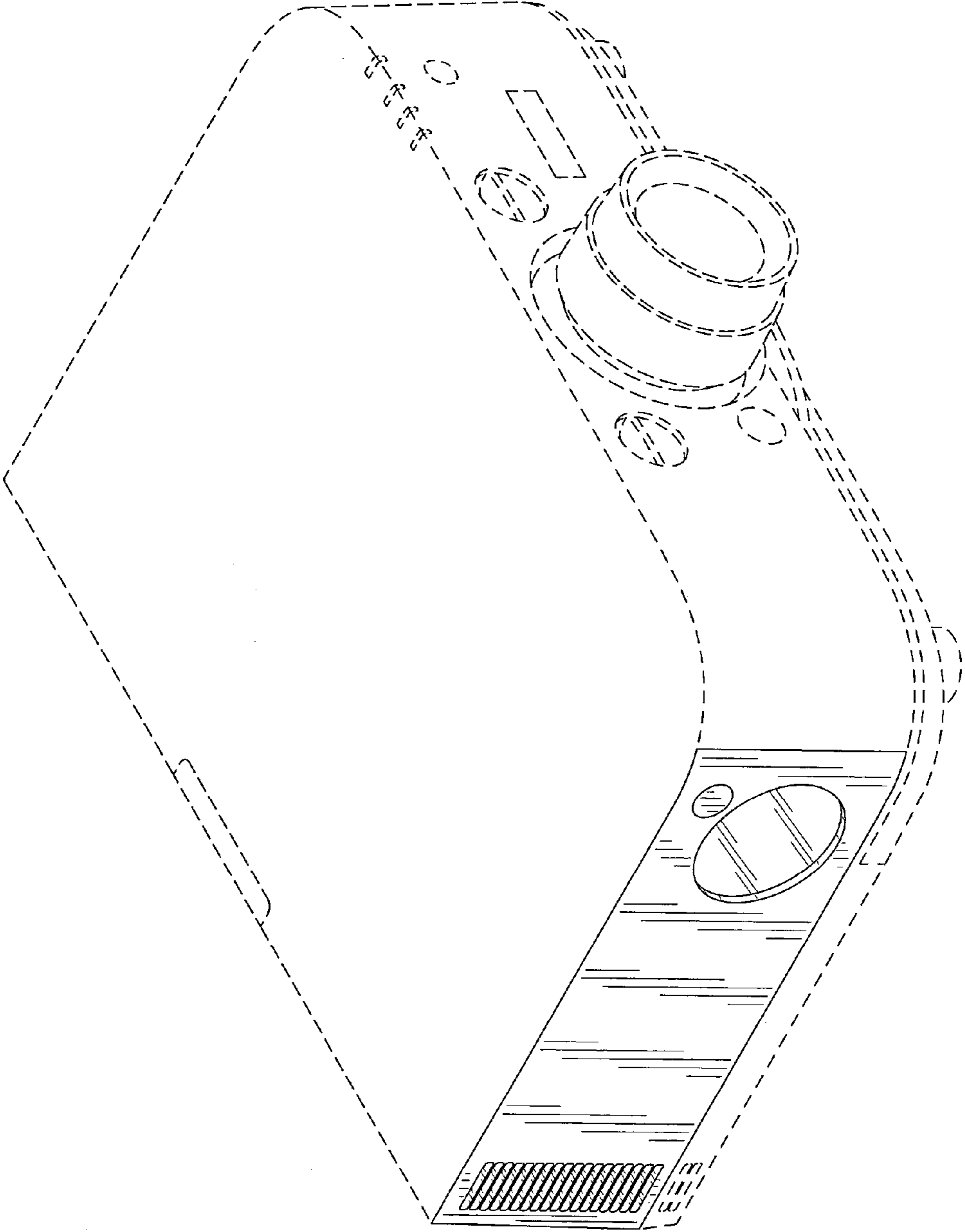


FIG. 1

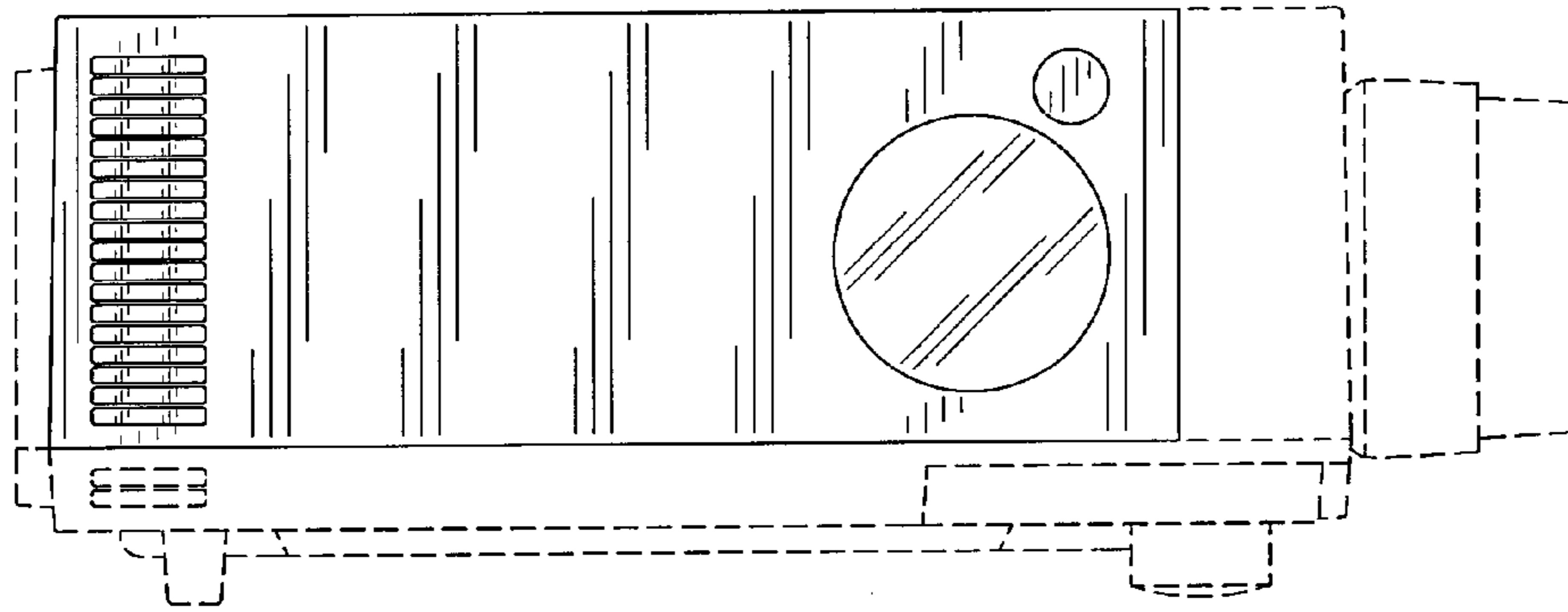


FIG. 2

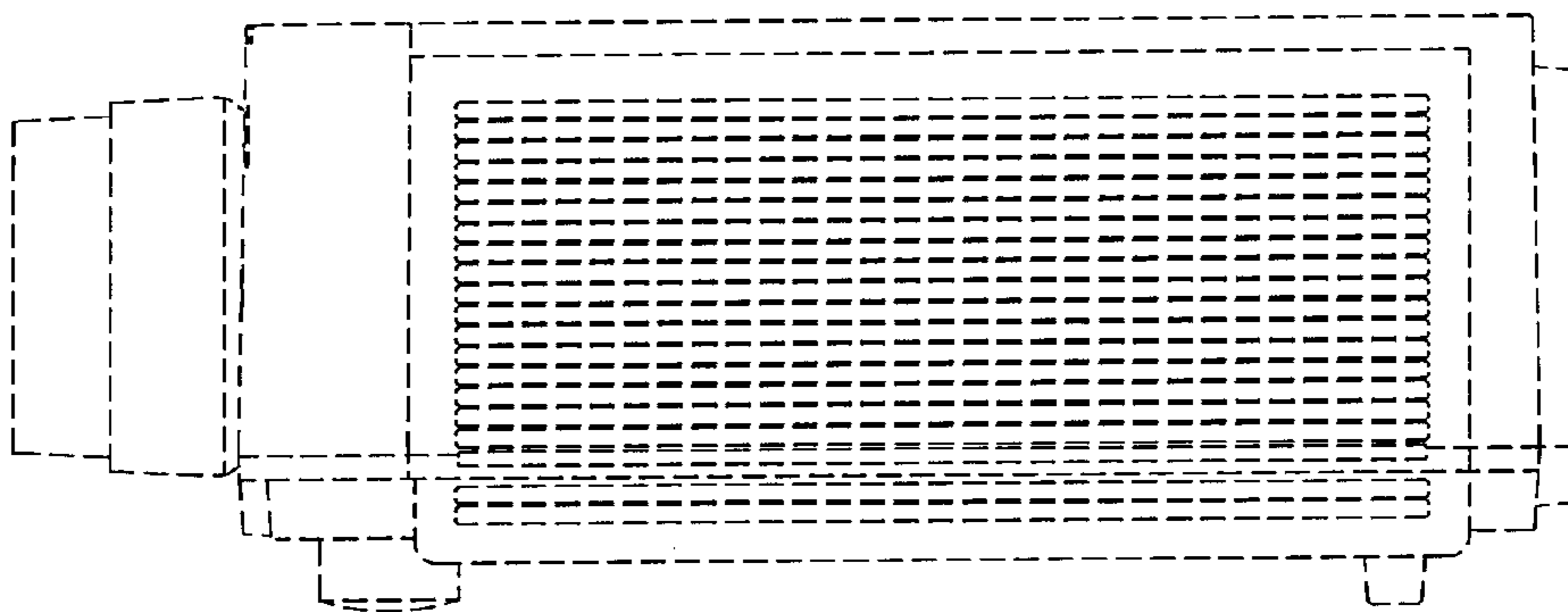


FIG. 3

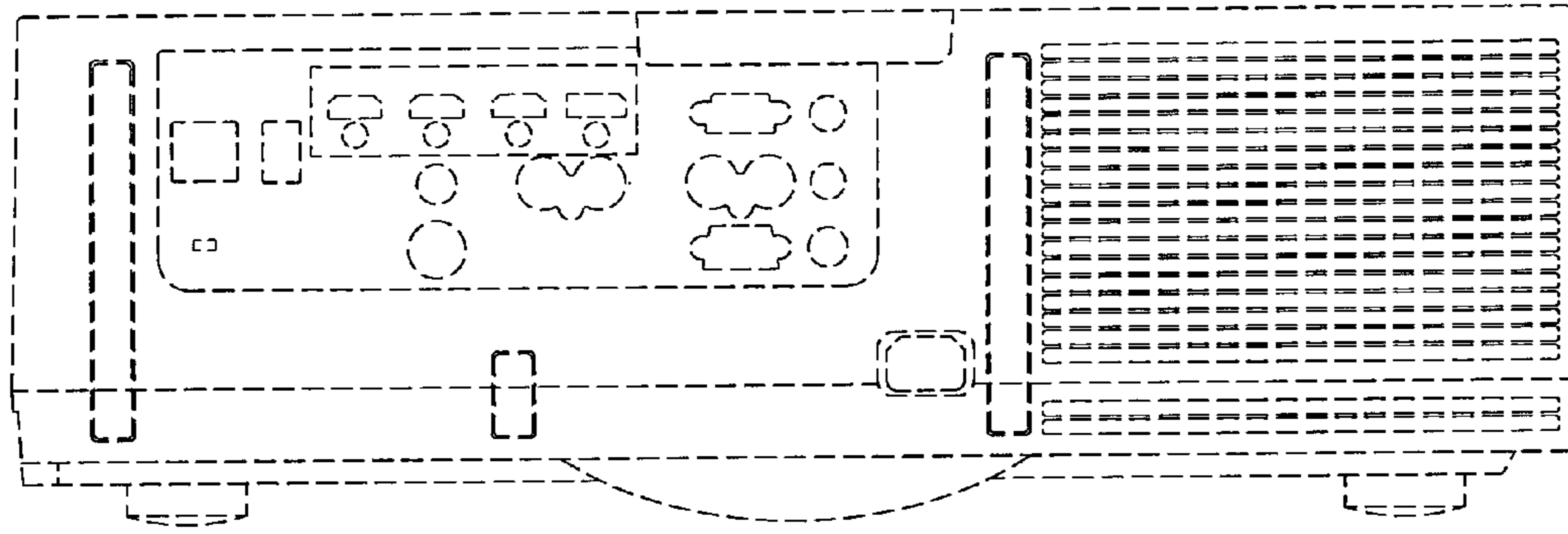


FIG. 4

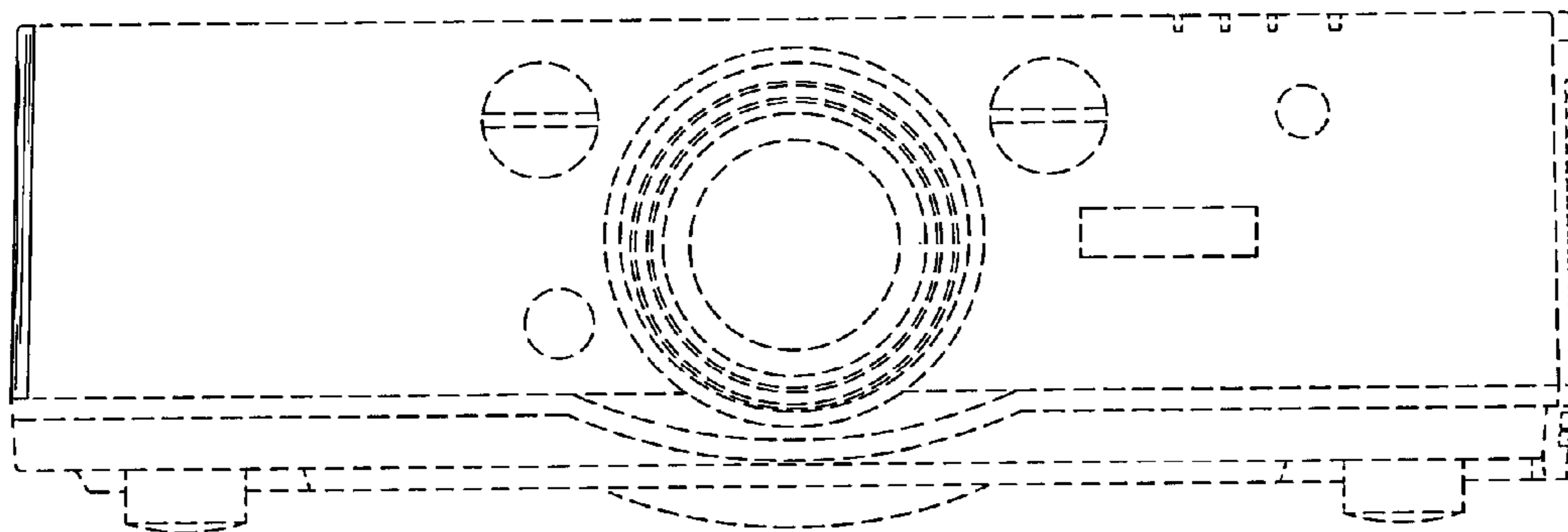


FIG. 5

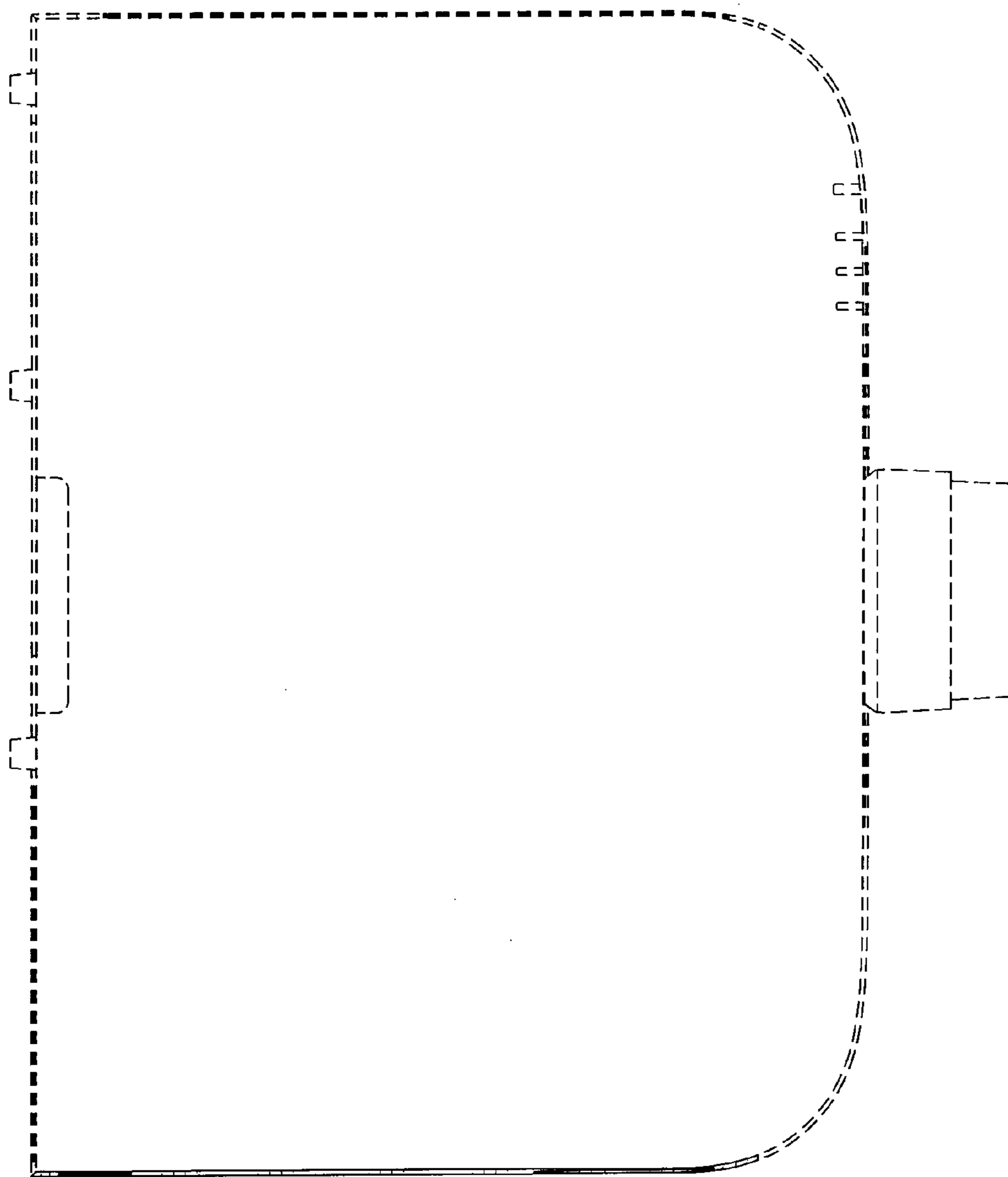


FIG. 6

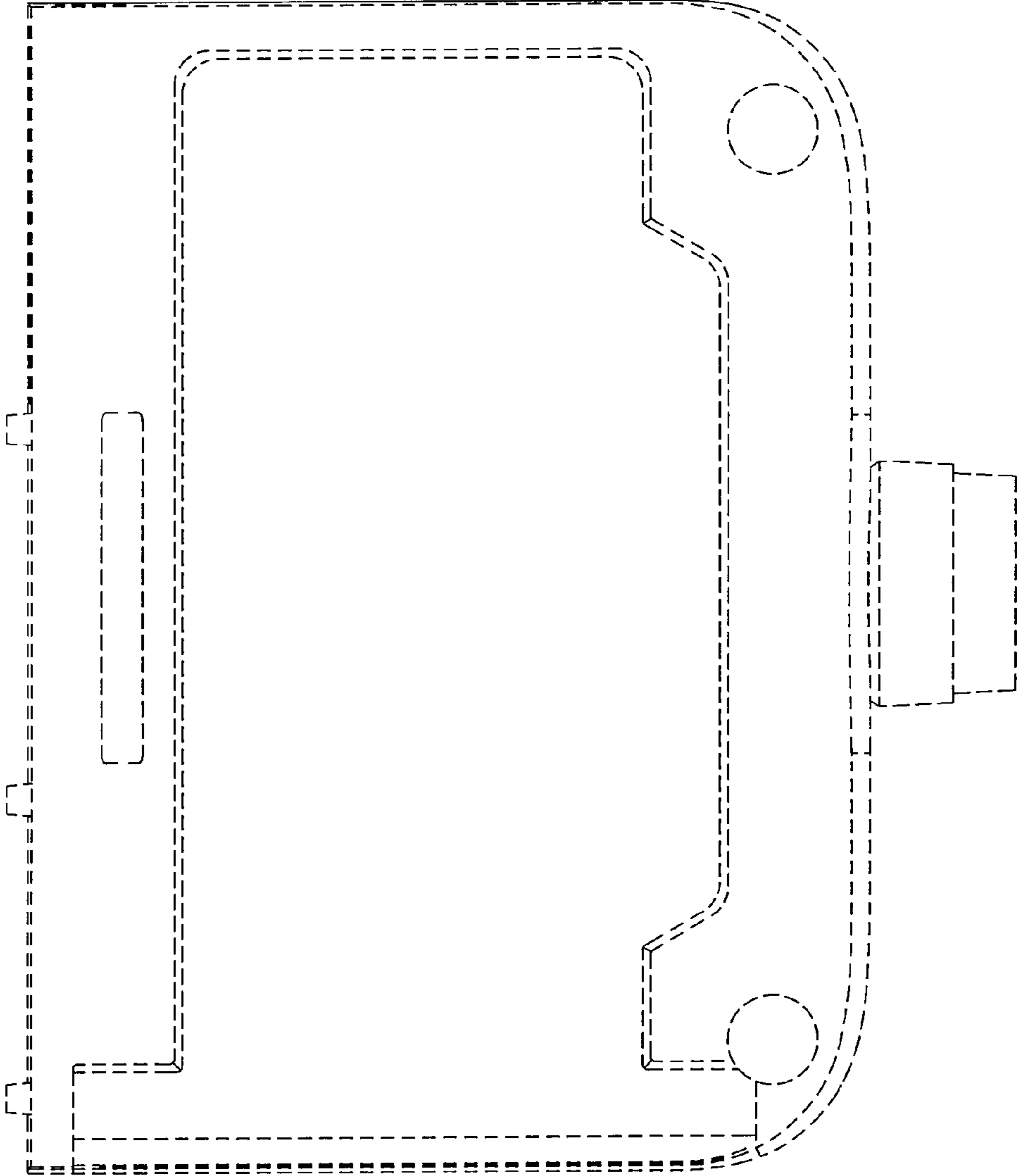


FIG. 7

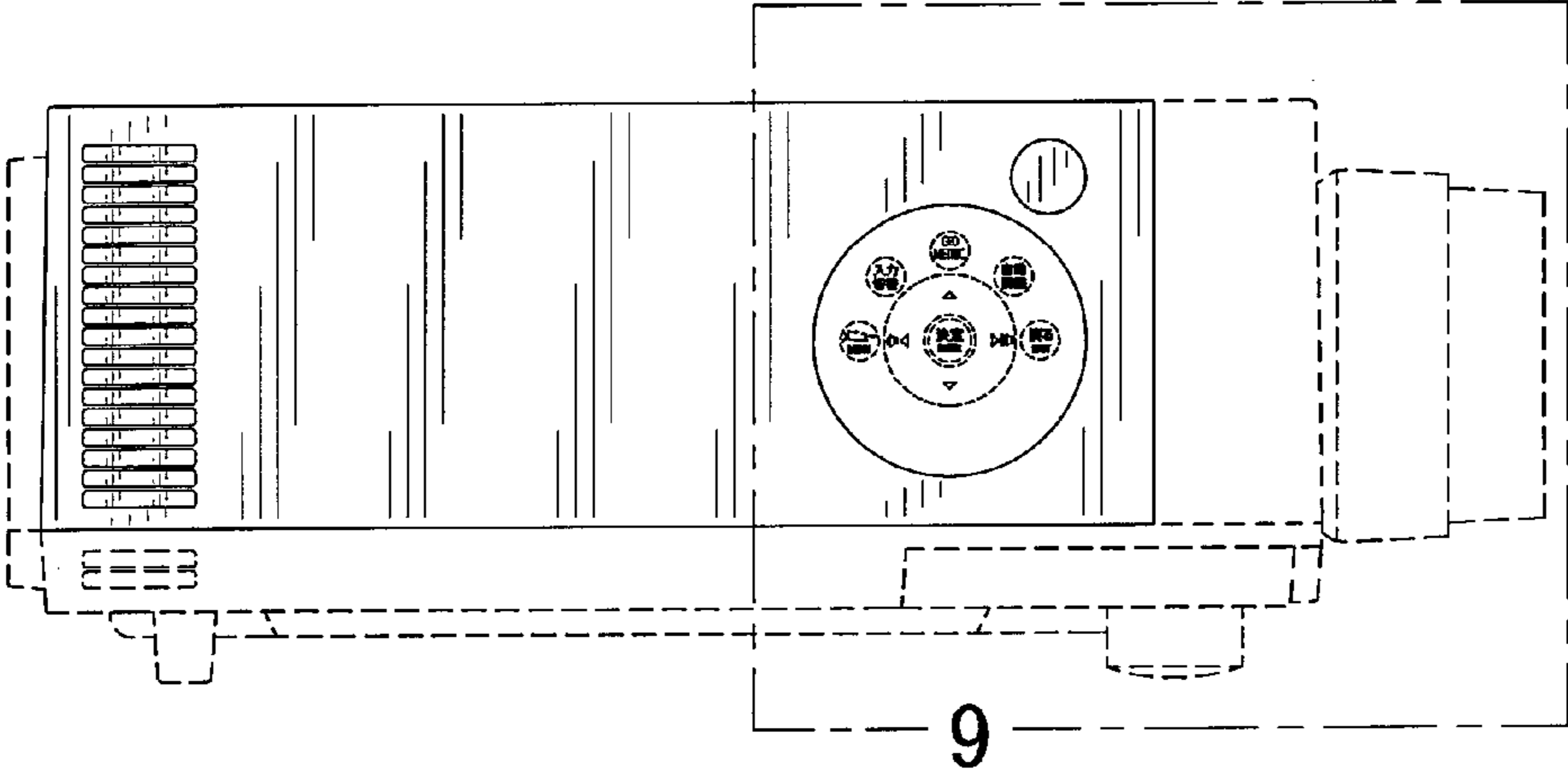


FIG. 8

