



US00D723608S

(12) **United States Design Patent**
Kim

(10) **Patent No.:** **US D723,608 S**
(45) **Date of Patent:** **** Mar. 3, 2015**

(54) **CAMERA**

(71) Applicant: **Samsung Electronics Co., Ltd.**,
Suwon-si (KR)

(72) Inventor: **Joo-Hyung Kim**, Busan (KR)

(73) Assignee: **Samsung Electronics Co., Ltd.**,
Suwon-si (KR)

(**) Term: **14 Years**

(21) Appl. No.: **29/471,932**

(22) Filed: **Nov. 6, 2013**

(30) **Foreign Application Priority Data**

May 16, 2013 (KR) 30-2013-0025734

(51) **LOC (10) Cl.** **16-05**

(52) **U.S. Cl.**
USPC **D16/219**

(58) **Field of Classification Search**

CPC G03B 17/02; G03B 19/04; G03B 17/56;
G03B 17/04; G03B 15/03; G03B 15/05;
H04N 5/2251; H04N 5/2252; H04N 5/2253;
H04N 5/2254; H04N 2007/145; H04N 7/141;
H04N 7/142; H04N 7/147; H04N 7/148;
H04N 7/15; H04N 7/152
USPC D16/200, 202-205, 208, 209, 211, 212,
D16/216-220, 239, 242; 348/143, 148, 151,
348/373-376; 396/165, 176-178, 535,
396/538-541

See application file for complete search history.

(56) **References Cited**

U.S. PATENT DOCUMENTS

D390,860 S * 2/1998 Kim D16/217
D418,531 S * 1/2000 Hayashi D16/220

D433,435 S * 11/2000 Hamamura D16/219
6,343,189 B1 * 1/2002 Hosokawa et al. 396/165
6,427,051 B1 * 7/2002 Hosokawa et al. 396/165
D479,728 S * 9/2003 Tanaka D16/219
D611,977 S * 3/2010 Kim et al. D16/202
D639,325 S * 6/2011 Yamauchi et al. D16/202
D671,583 S * 11/2012 Sakai D16/202
D682,337 S * 5/2013 Umehara et al. D16/202
D690,755 S * 10/2013 Nikaido D16/202

* cited by examiner

Primary Examiner — Adir Aronovich

Assistant Examiner — Ramzi Almatrahi

(74) *Attorney, Agent, or Firm* — NSIP Law

(57) **CLAIM**

The ornamental design for a camera, as shown and described.

DESCRIPTION

FIG. 1 is a front perspective view of a camera showing my new design;

FIG. 2 is a front elevational view thereof;

FIG. 3 is a rear elevational view thereof;

FIG. 4 is a left side elevational view thereof;

FIG. 5 is a right side elevational view thereof;

FIG. 6 is a top plan view thereof;

FIG. 7 is a bottom plan view thereof;

FIG. 8 is an enlarged partial front perspective view thereof; and,

FIG. 9 is an enlarged partial front perspective view thereof, shown in an open position.

The broken lines illustrating portions of the camera are for environmental purposes only and form no part of the claimed design.

The dot dash lines in the figures represent an unclaimed boundary line and form no part of the claimed design.

1 Claim, 9 Drawing Sheets

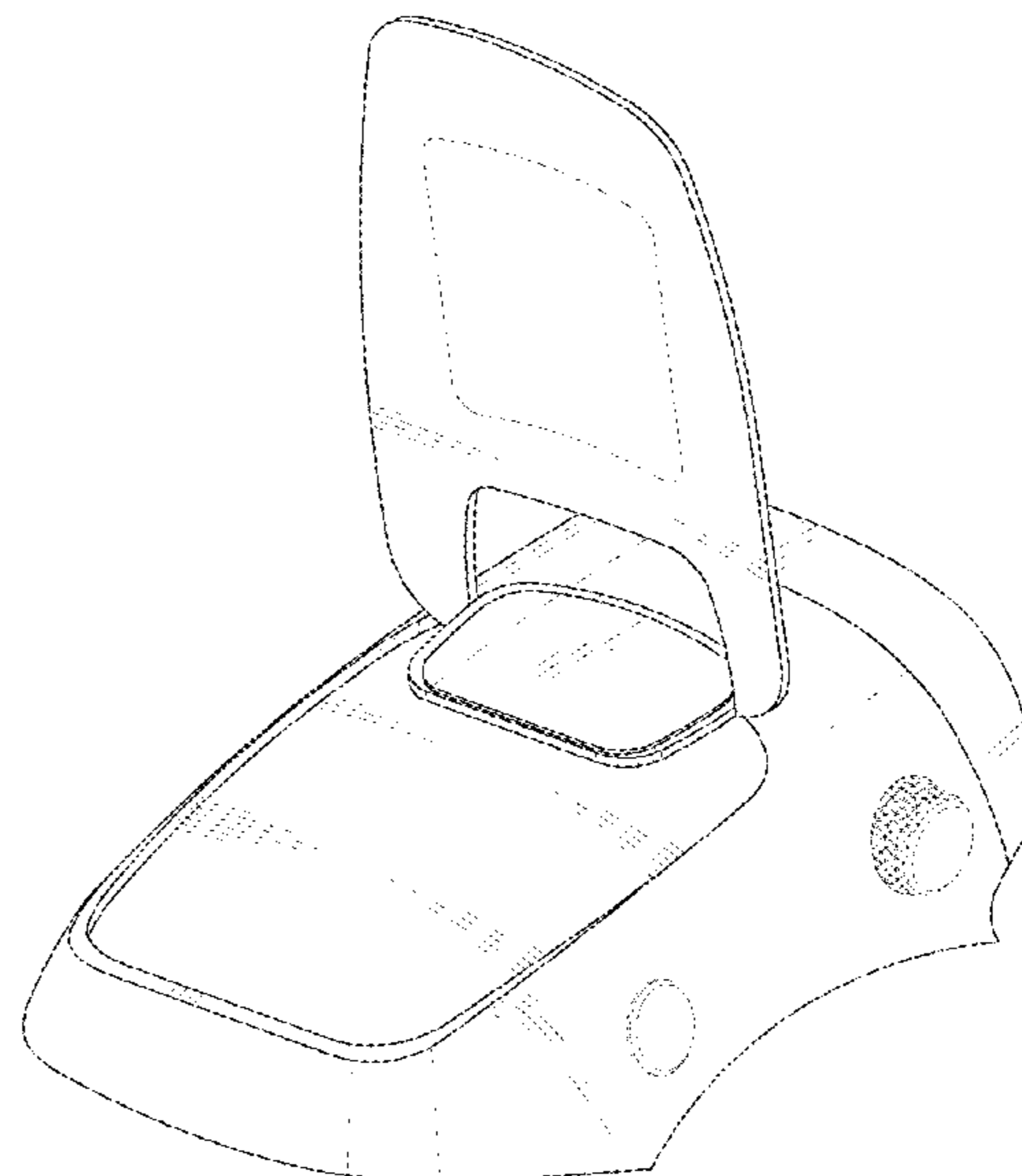
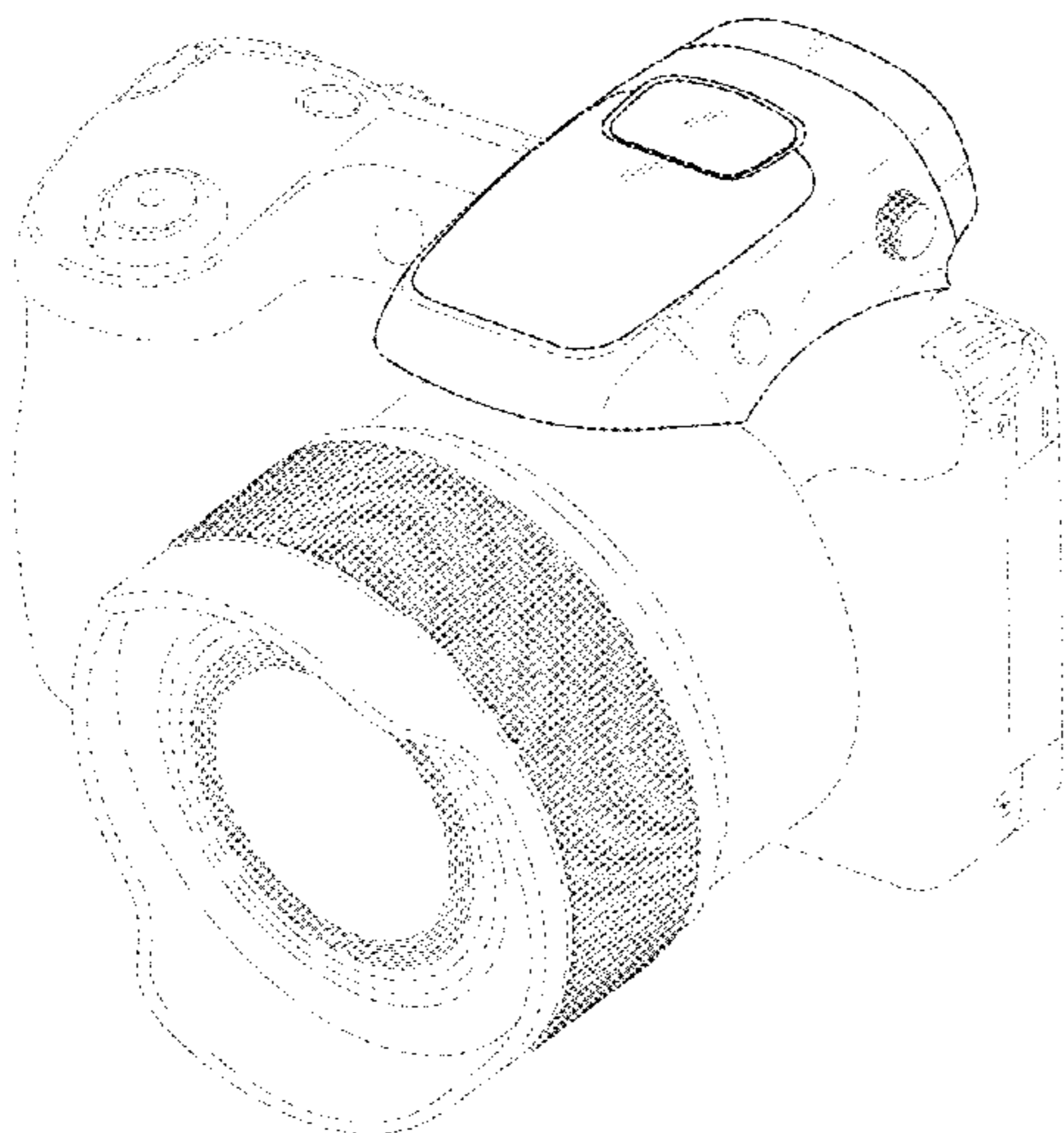


FIG. 1

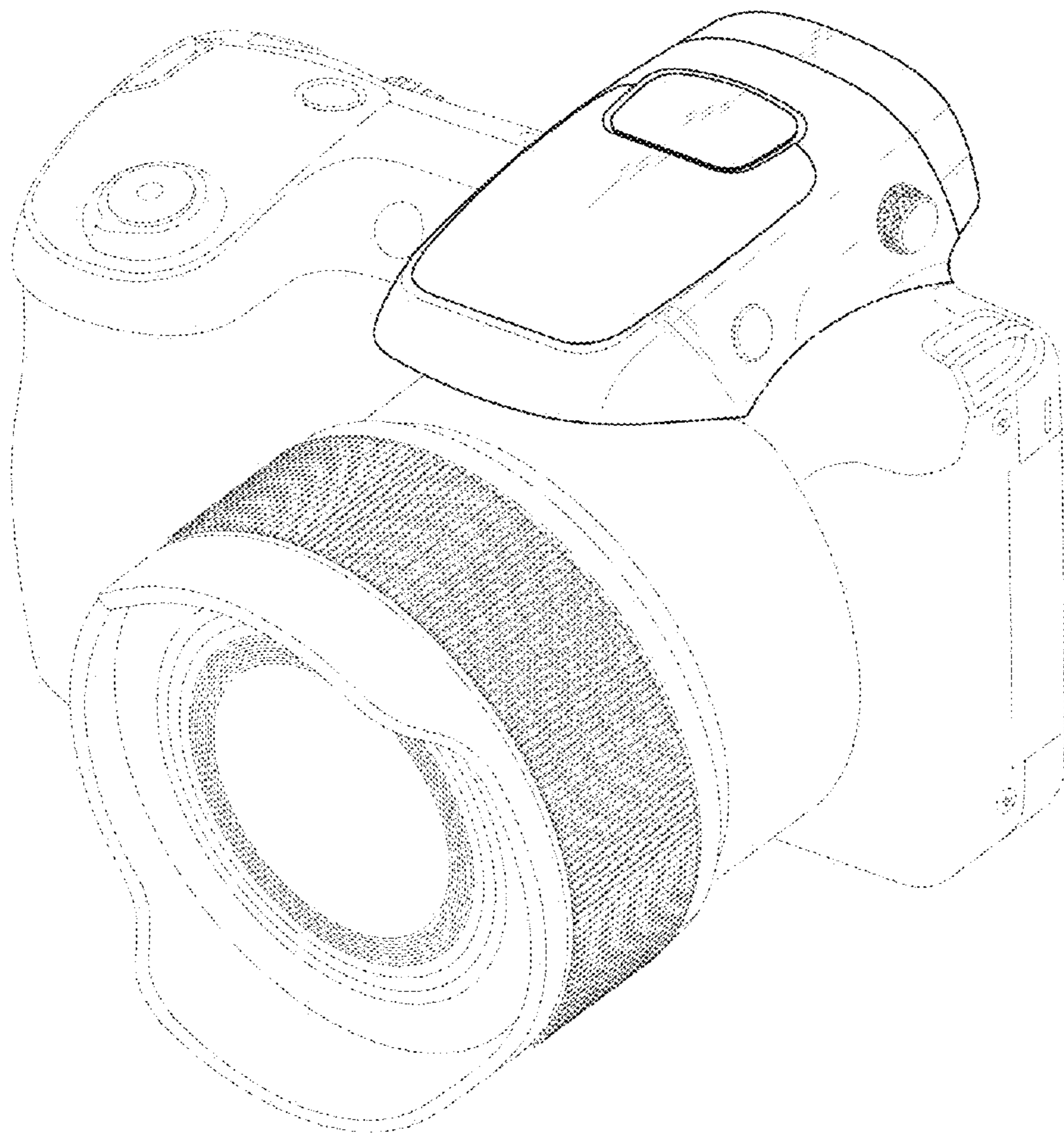


FIG. 2

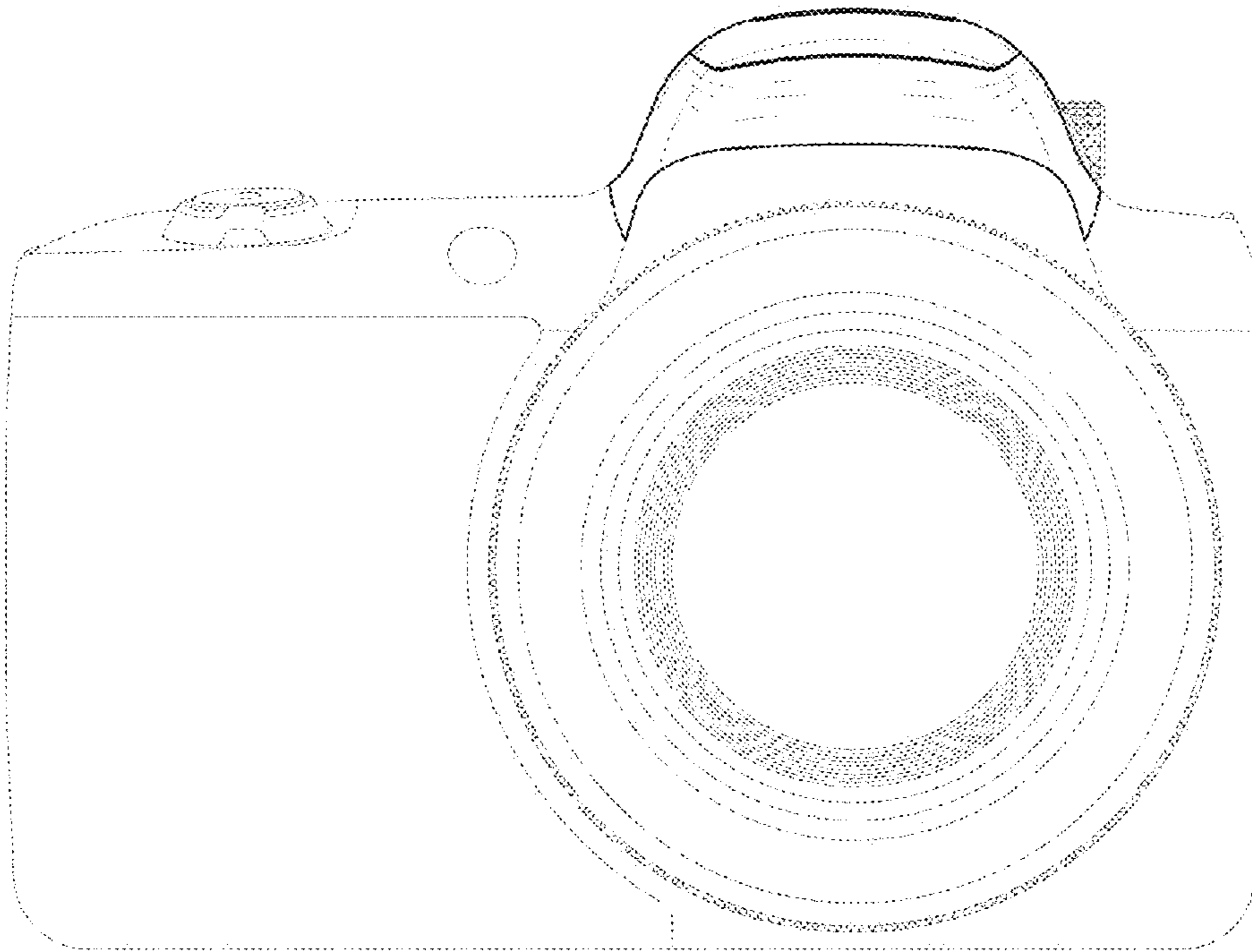


FIG. 3

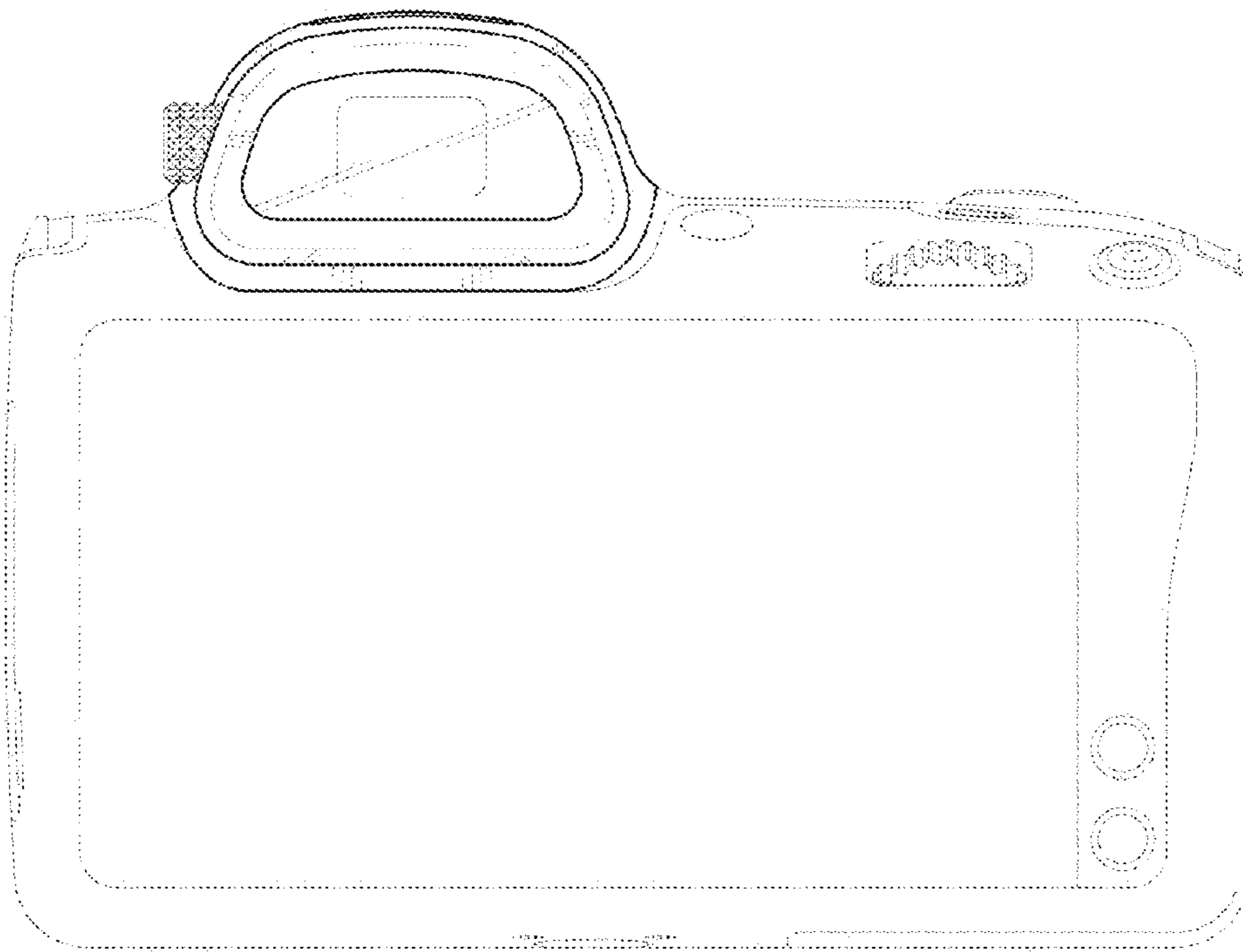


FIG. 4

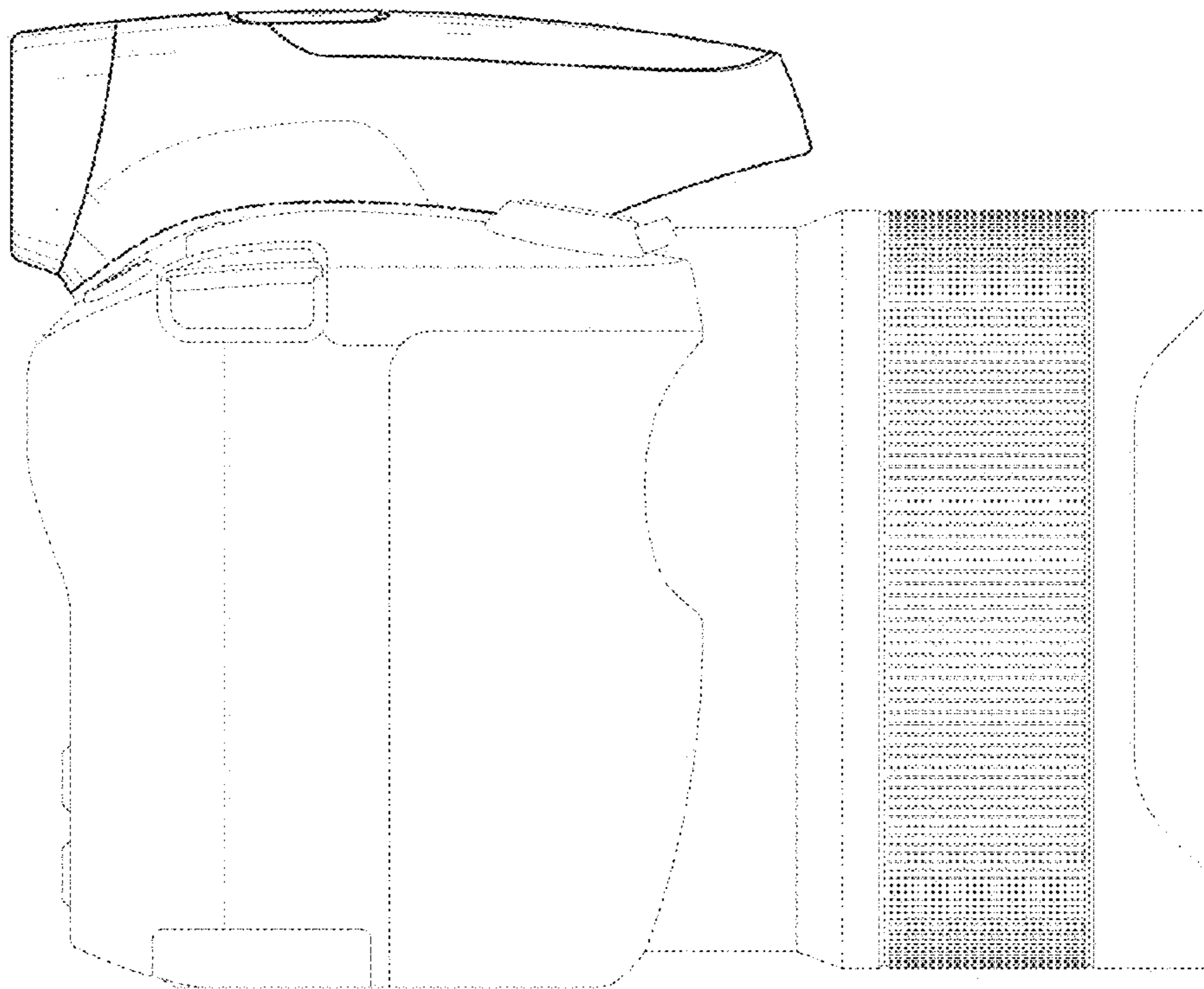


FIG. 5

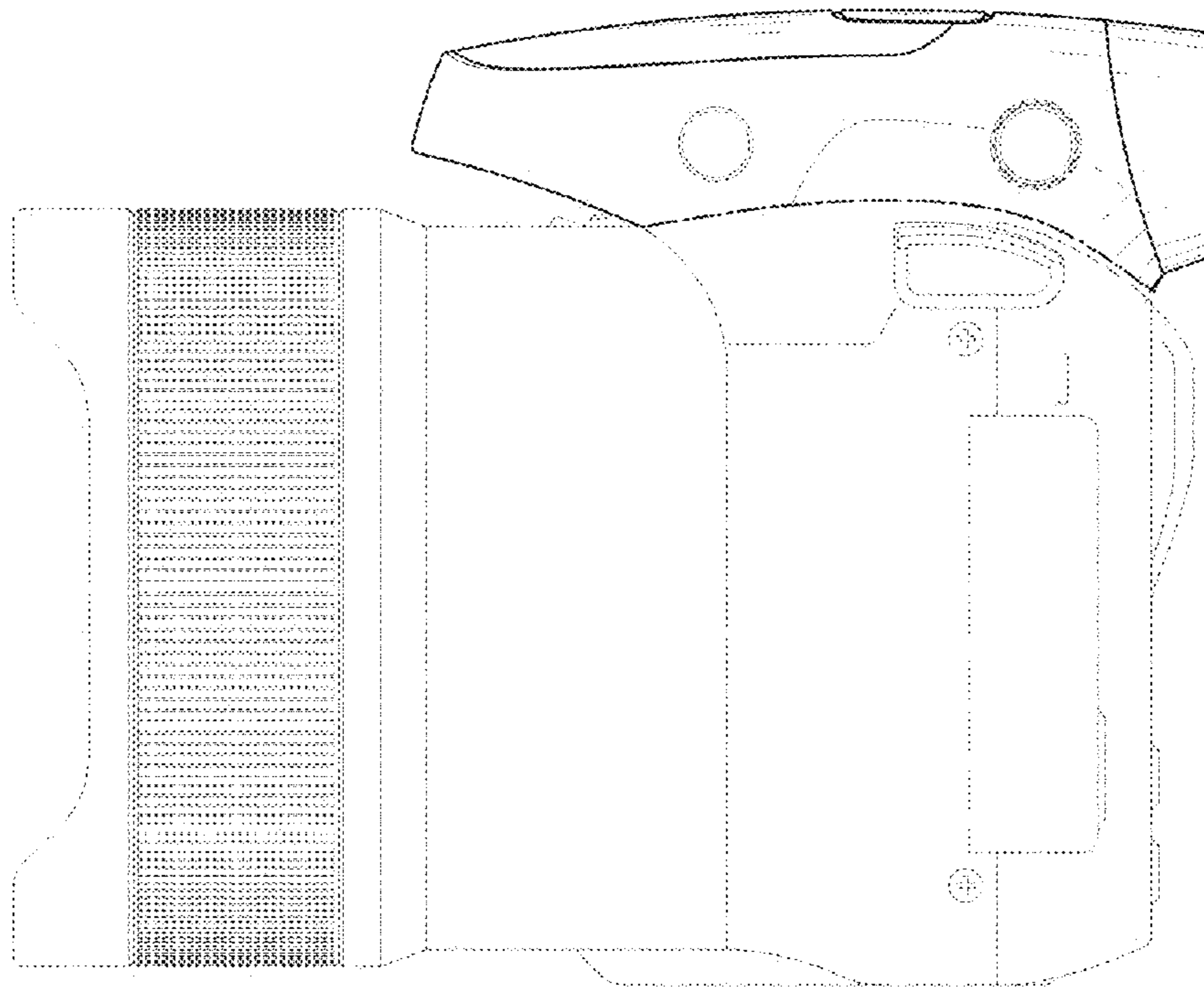


FIG. 6

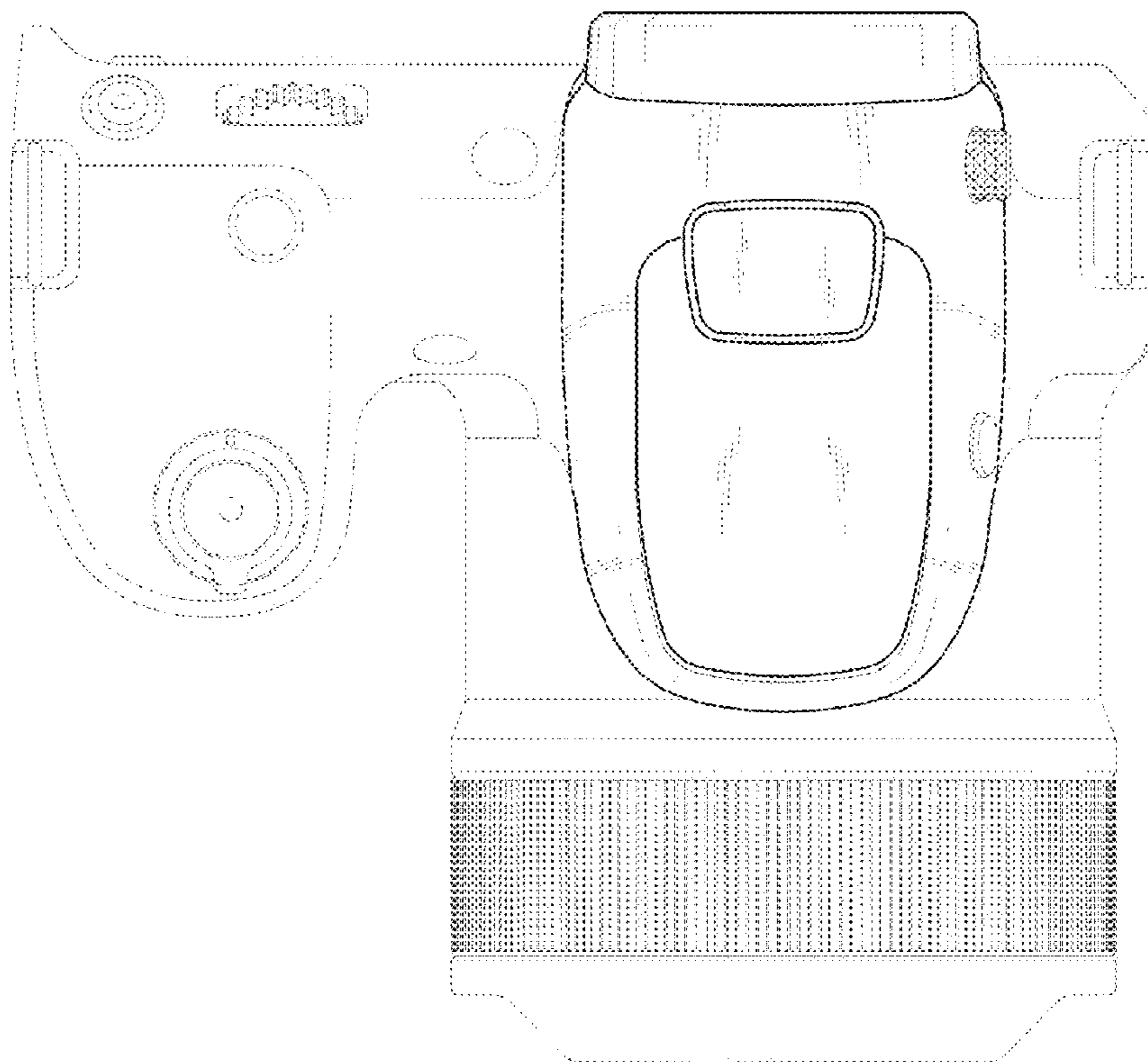


FIG. 7

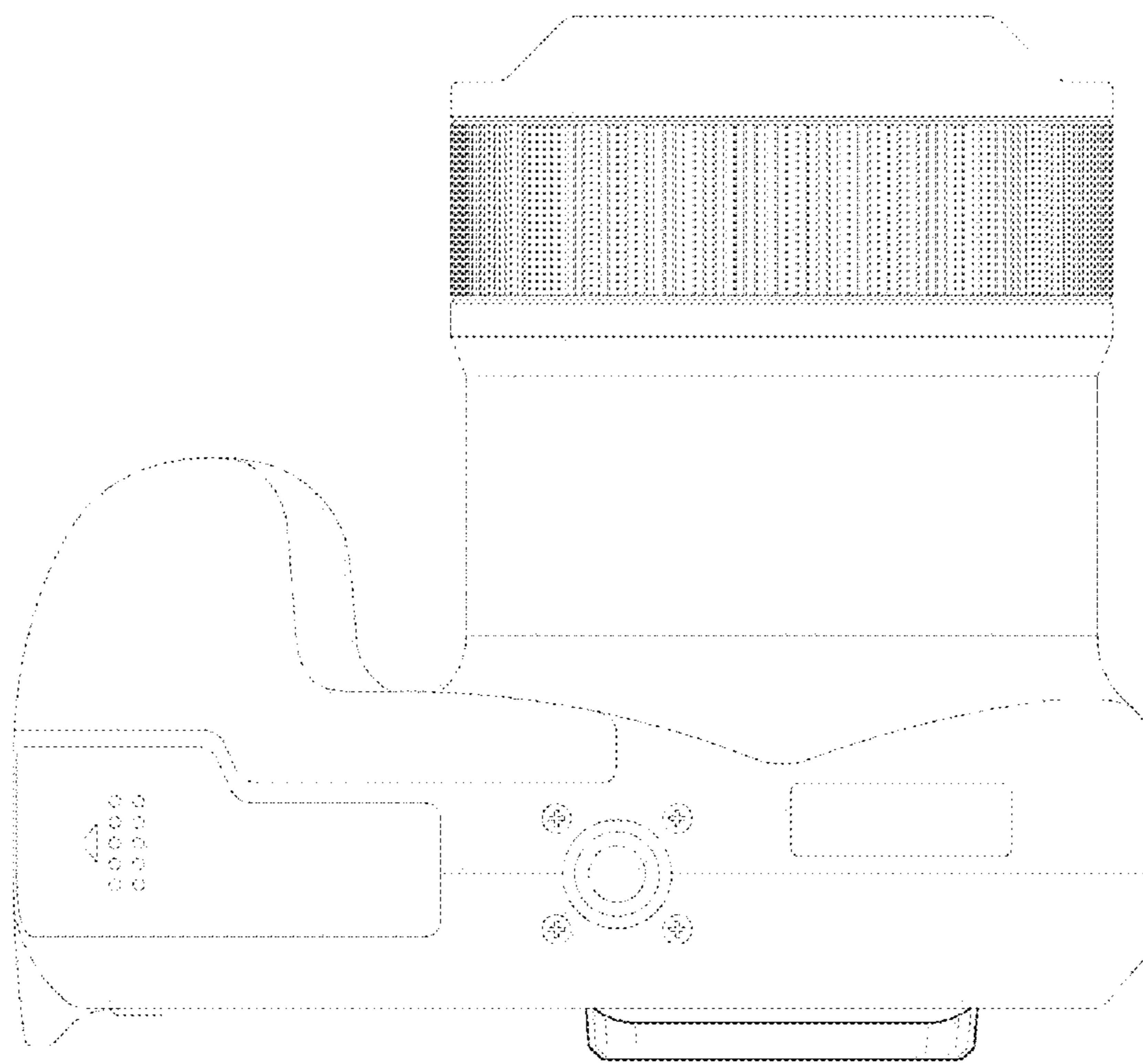


FIG. 8

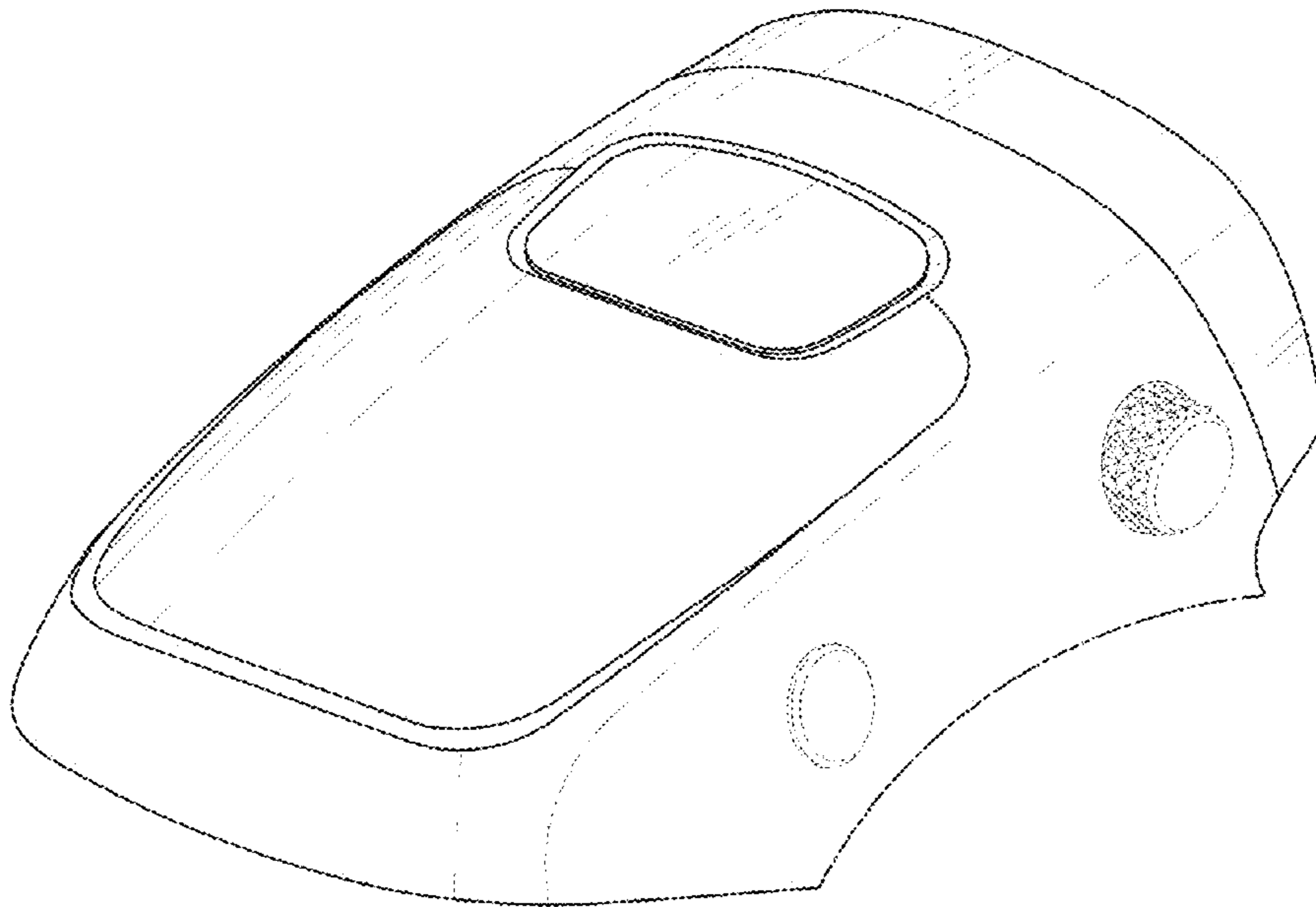


FIG. 9

