



US00D723606S

(12) **United States Design Patent**
Chai

(10) **Patent No.:** **US D723,606 S**
(45) **Date of Patent:** **** Mar. 3, 2015**

(54) **DIGITAL CAMERA**

(56) **References Cited**

(71) Applicant: **Samsung Electronics Co., Ltd.**,
Suwon-si (KR)

U.S. PATENT DOCUMENTS

(72) Inventor: **Ki-Byung Chai**, Seoul (KR)

D524,348 S *	7/2006	Nagayama et al.	D16/219
D552,647 S *	10/2007	Bai	D16/202
D601,602 S *	10/2009	Jang	D16/202
D684,203 S *	6/2013	Uemachi	D16/202
D689,535 S *	9/2013	Nojima	D16/202
8,538,255 B2 *	9/2013	Kim	396/535
D694,302 S *	11/2013	Lee et al.	D16/202
D694,303 S *	11/2013	Ham et al.	D16/202
D696,327 S *	12/2013	Jang et al.	D16/202
D712,947 S *	9/2014	Chai	D16/202
D712,948 S *	9/2014	Chai	D16/202
D712,949 S *	9/2014	Kwon et al.	D16/202
D712,950 S *	9/2014	Kwon et al.	D16/202

(73) Assignee: **Samsung Electronics Co., Ltd.**,
Suwon-Si (KR)

(**) Term: **14 Years**

* cited by examiner

(21) Appl. No.: **29/459,941**

Primary Examiner — Adir Aronovich
Assistant Examiner — Ramzi Almatrahi
(74) *Attorney, Agent, or Firm* — Staas & Halsey LLP

(22) Filed: **Jul. 5, 2013**

(30) **Foreign Application Priority Data**

Jan. 5, 2013 (KR) 30-2013-0000762

(57) **CLAIM**
The ornamental design for a digital camera, as shown and described.

(51) **LOC (10) Cl.** **16-05**

(52) **U.S. Cl.**
USPC **D16/219**

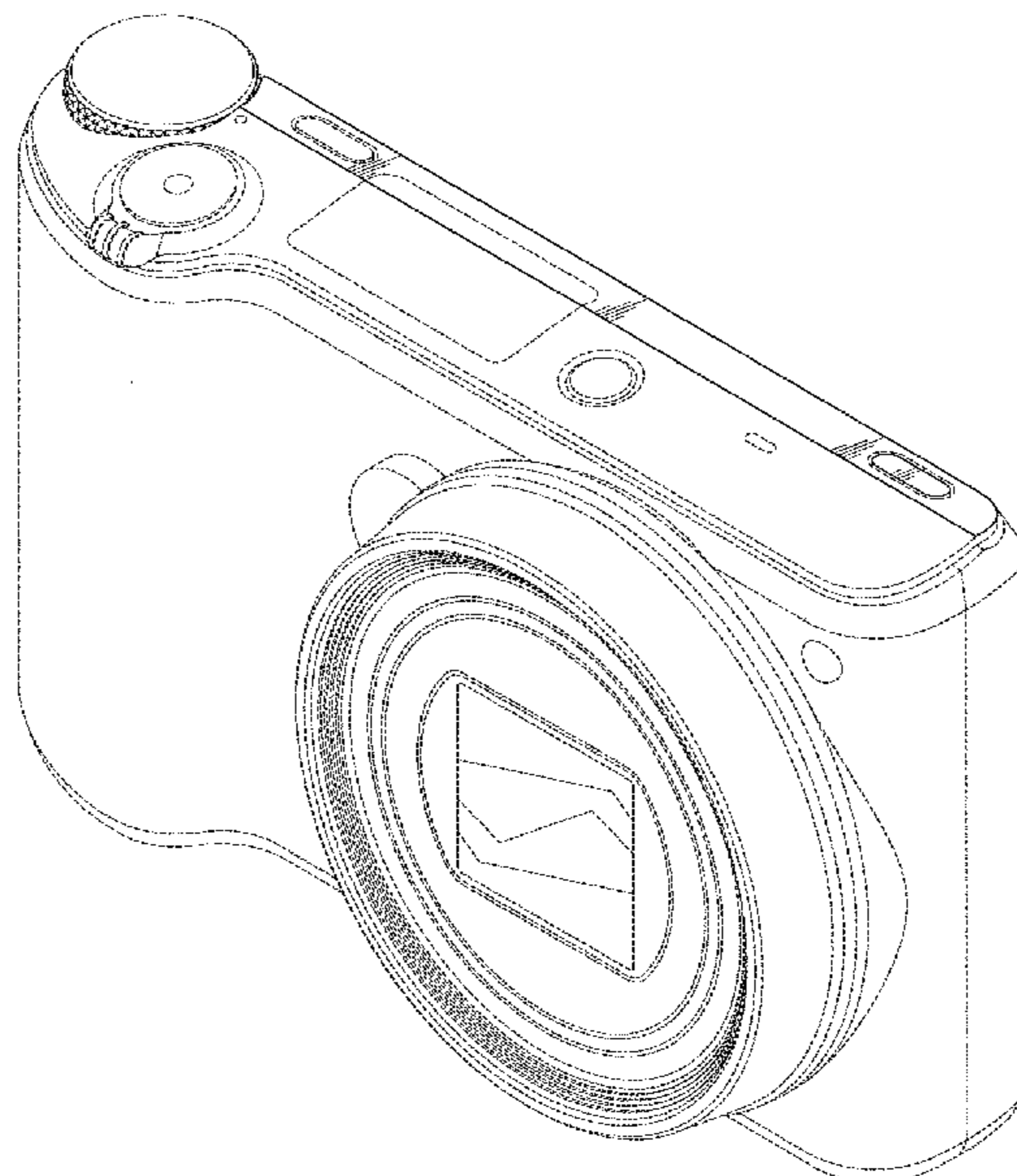
DESCRIPTION

(58) **Field of Classification Search**
CPC G03B 15/03; G03B 17/02; G03B 17/04;
G03B 17/56; G03B 19/04; H04N 5/2251;
H04N 5/2252; H04N 5/2253; H04N 5/2254;
H04N 2101/00
USPC D16/200, 202–206, 208, 218, 219;
348/373–376; 396/535, 539–541

FIG. 1 is a top front perspective view of a digital camera;
FIG. 2 is a front view thereof;
FIG. 3 is a rear view thereof;
FIG. 4 is a left-side view thereof;
FIG. 5 is a right-side view thereof;
FIG. 6 is a top view thereof; and,
FIG. 7 is a bottom view thereof.
The broken lines shown in the drawings are directed to environment and are for illustrative purpose only; the broken lines form no part of the claimed design.

See application file for complete search history.

1 Claim, 4 Drawing Sheets



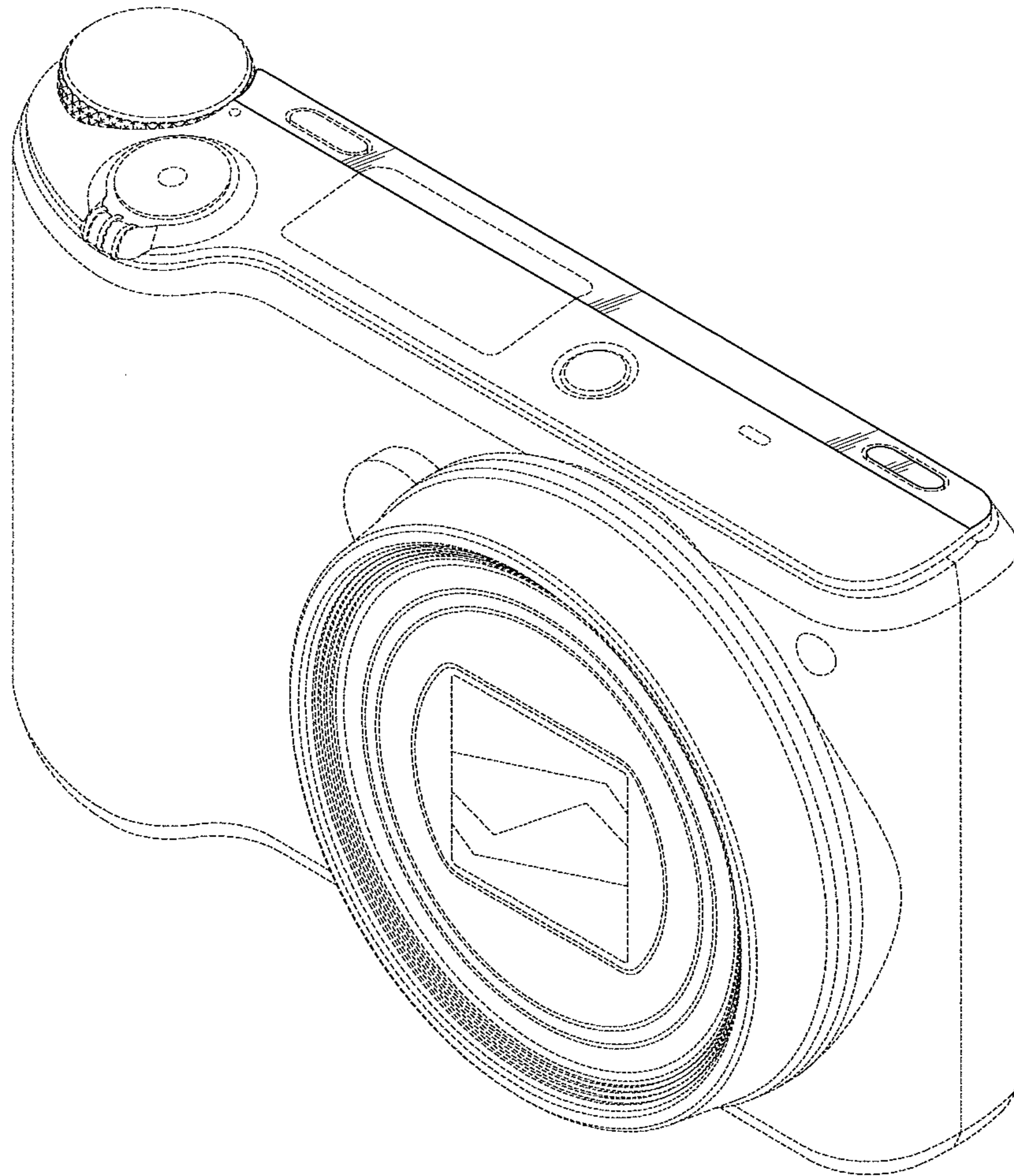


FIG.1

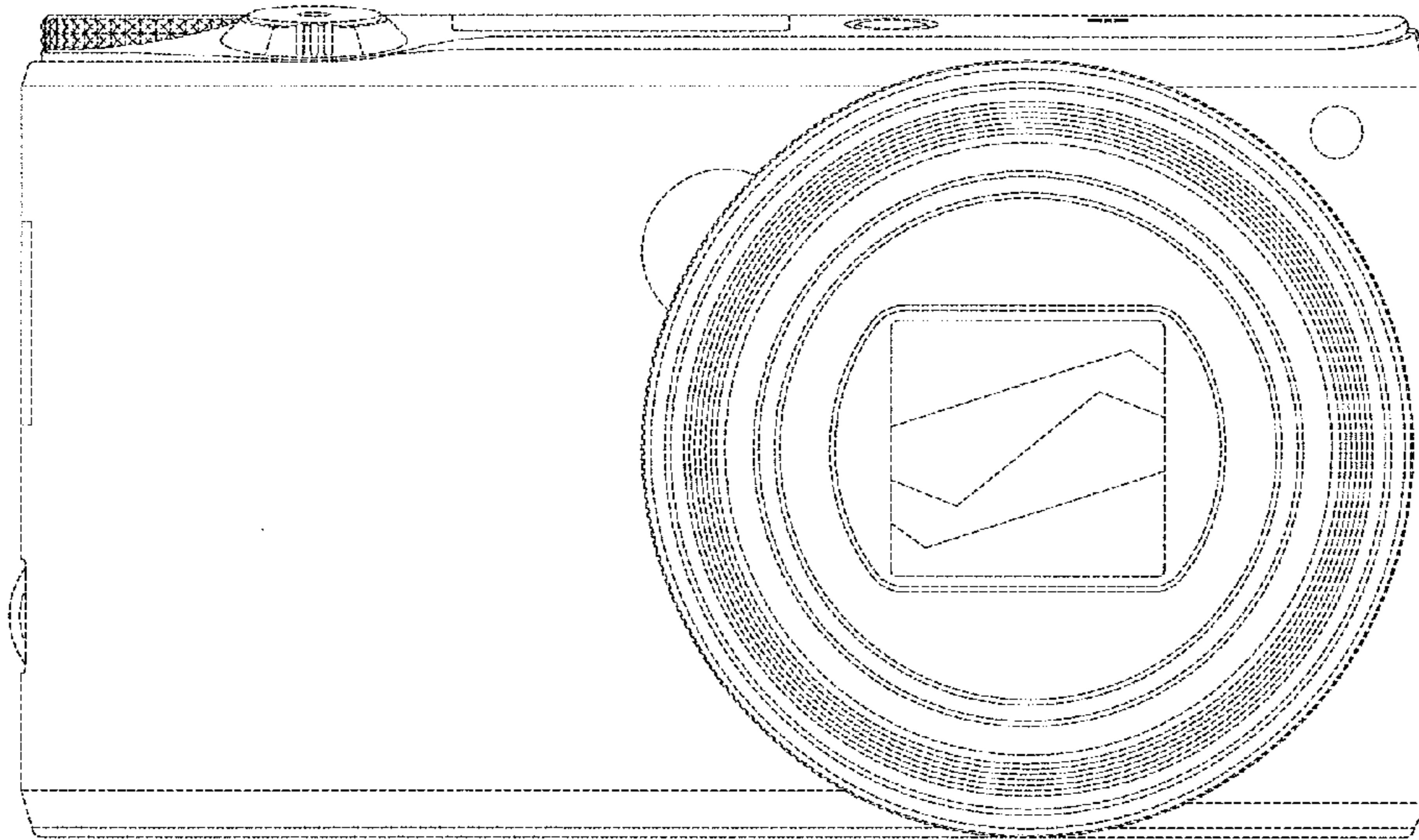


FIG.2

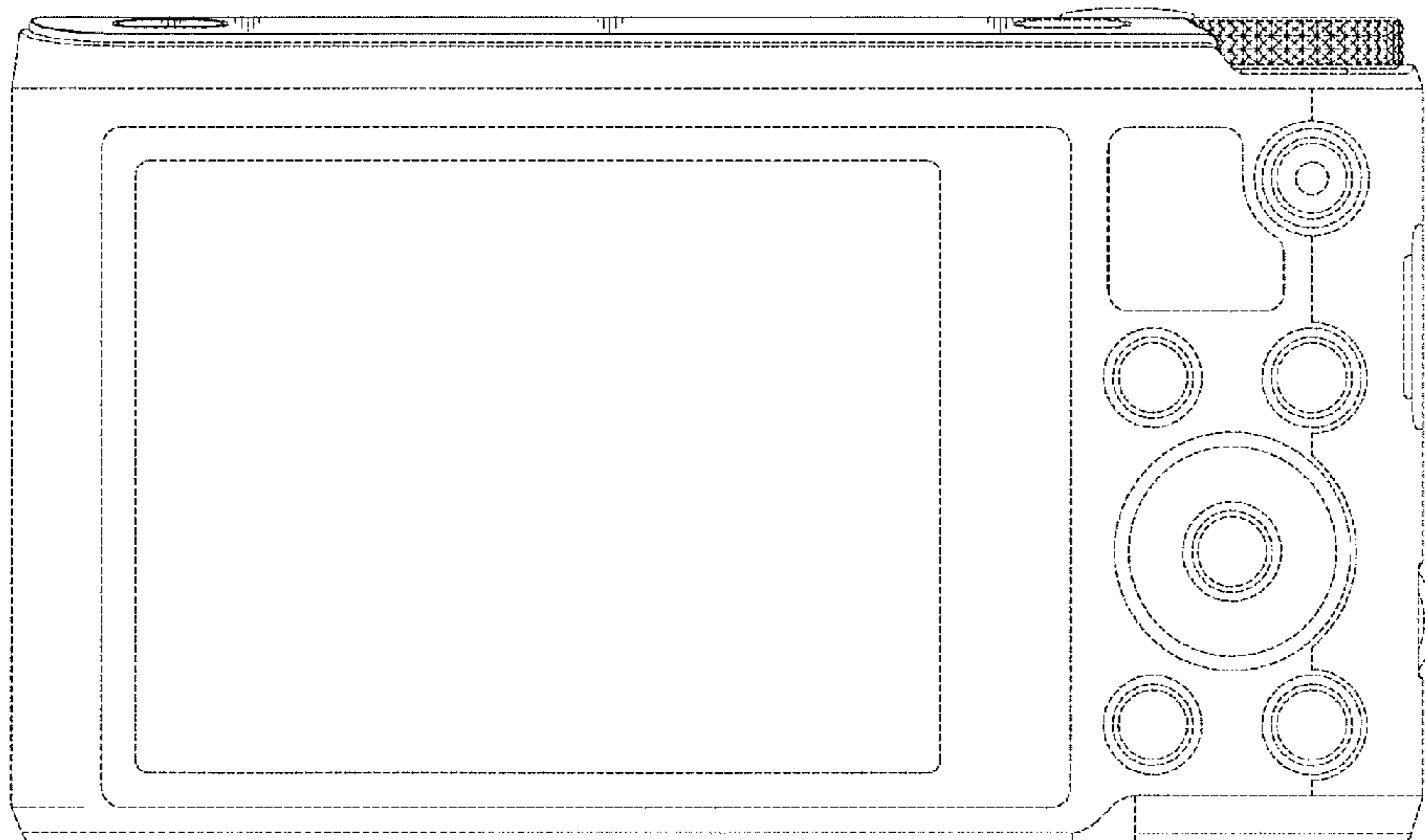


FIG.3

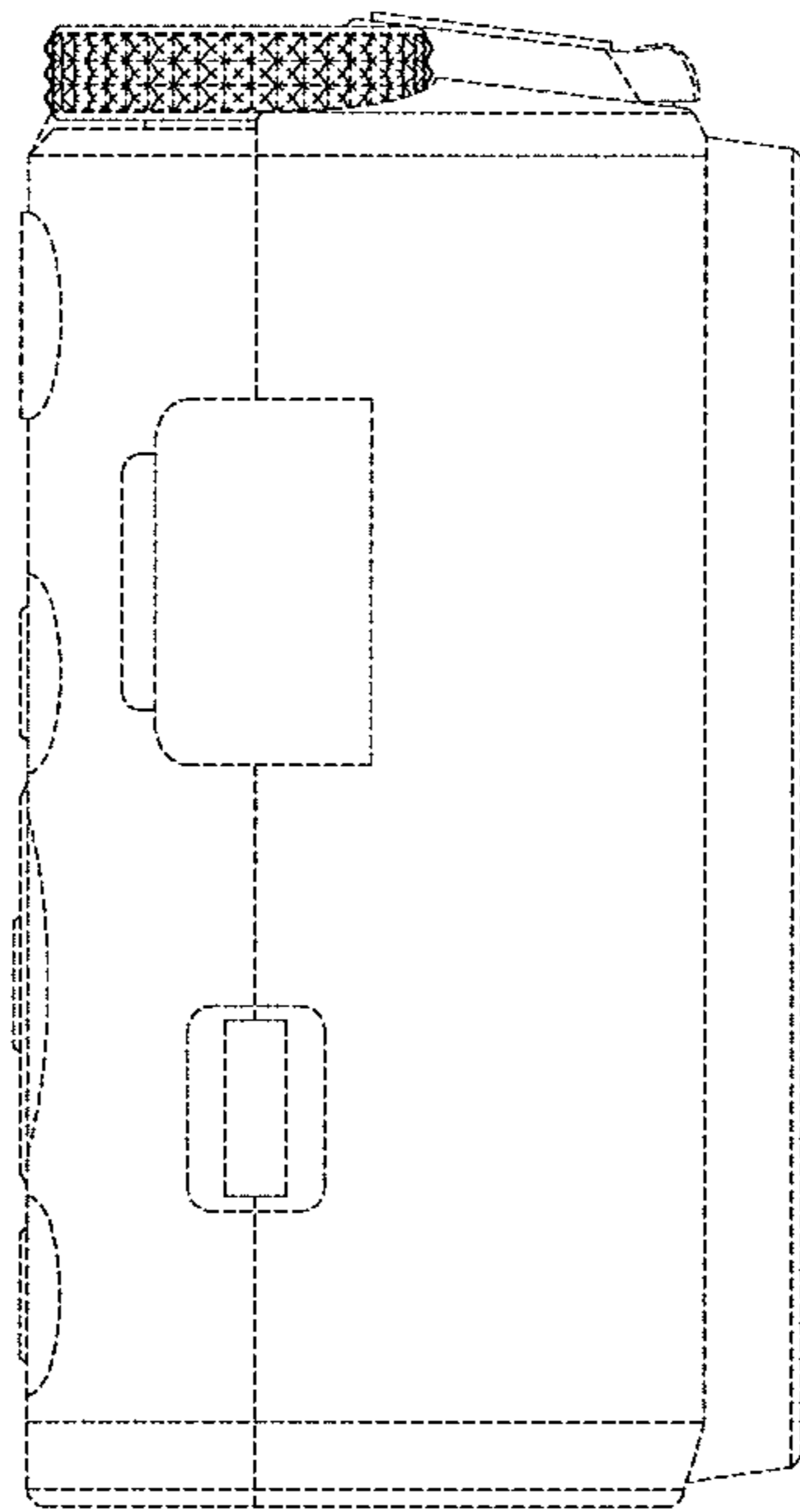


FIG.4

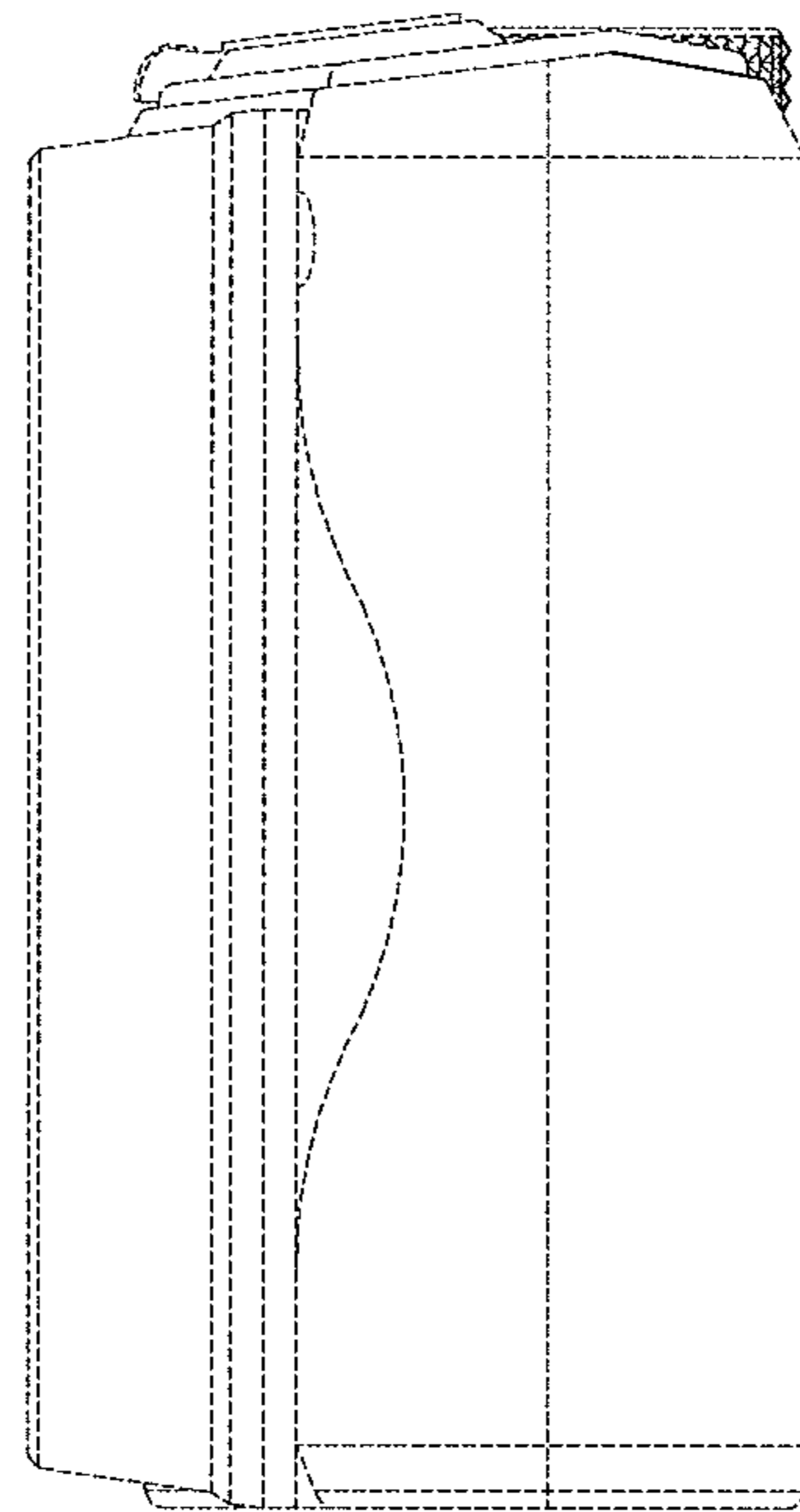


FIG.5

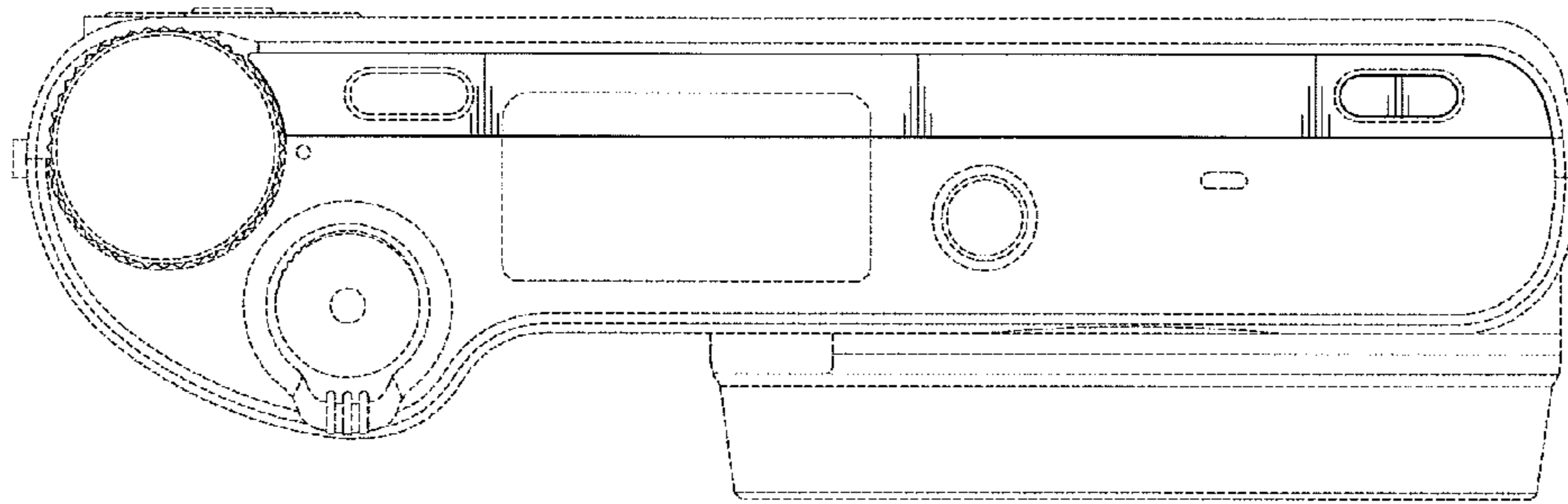


FIG.6

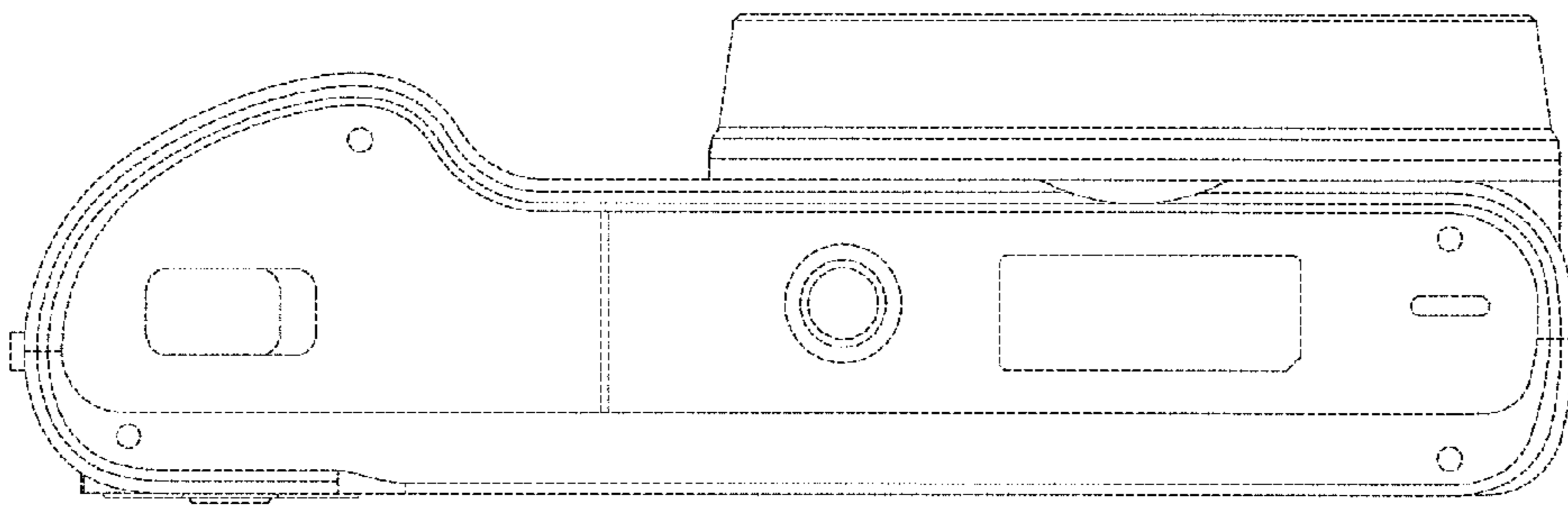


FIG.7