



US00D723604S

(12) **United States Design Patent**
Mohan

(10) **Patent No.:** **US D723,604 S**
(45) **Date of Patent:** **** Mar. 3, 2015**

- (54) **SPHERICAL SECURITY CAMERA**
- (71) Applicant: **Avigilon Corporation**, Vancouver (CA)
- (72) Inventor: **Sudeep Mohan**, Vancouver (CA)
- (73) Assignee: **Avigilon Corporation**, Vancouver (CA)
- (**) Term: **14 Years**
- (21) Appl. No.: **29/488,370**
- (22) Filed: **Apr. 17, 2014**

Related U.S. Application Data

- (63) Continuation-in-part of application No. 29/470,179, filed on Oct. 17, 2013, which is a continuation-in-part of application No. 13/874,279, filed on Apr. 30, 2013, application No. 29/488,370, which is a continuation-in-part of application No. 29/470,181, filed on Oct. 17, 2013, which is a continuation-in-part of application No. 13/874,279, application No. 29/488,370, which is a continuation-in-part of application No. 13/874,279.
- (51) **LOC (10) Cl.** **16-01**
- (52) **U.S. Cl.**
USPC **D16/203**
- (58) **Field of Classification Search**
CPC G03B 17/02; G03B 19/04; G03B 17/56;
G03B 17/04; G03B 15/03; H04N 5/2251;
H04N 5/2252; H04N 5/2253; H04N 5/2254;
H04N 7/181; H04N 7/183; H04N 7/18;
G08B 13/1963; G08B 13/19619; G08B
13/19632; F16M 11/04; F16M 13/00
USPC D16/200, 202-208, 218, 219, 242;
348/36, 143, 148, 151, 373-376;
396/79, 419, 427, 535, 539-541
See application file for complete search history.

(56) **References Cited**

U.S. PATENT DOCUMENTS

4,746,990 A 5/1988 Katoh et al.
D399,517 S 10/1998 Hasegawa

(Continued)

FOREIGN PATENT DOCUMENTS

JP 2005-157681 A 6/2005
WO PCT/CA2013/050334 4/2013

OTHER PUBLICATIONS

Axis Communications, "AXIS P12 Network Camera Series", data sheet; 4 pages.

(Continued)

Primary Examiner — Adir Aronovich

Assistant Examiner — Ramzi Almatrahi

(74) *Attorney, Agent, or Firm* — Klarquist Sparkman, LLP

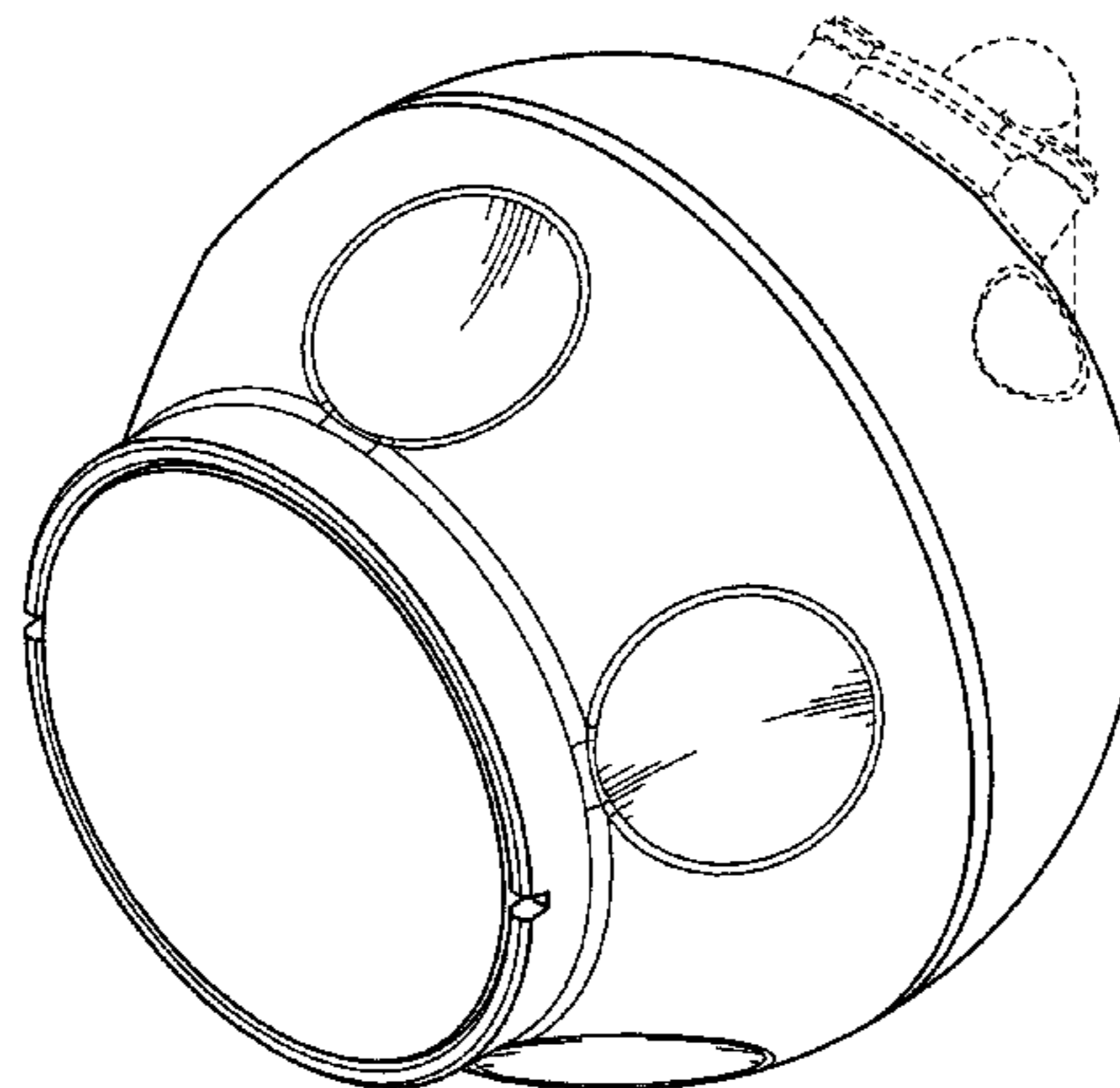
(57) **CLAIM**

I claim the ornamental design for a spherical security camera, as shown and described.

DESCRIPTION

FIG. 1 is a front perspective view of a spherical security camera;
FIG. 2 is a top plan view of the spherical security camera of FIG. 1;
FIG. 3 is a front elevation view of the spherical security camera of FIG. 1;
FIG. 4 is a right side elevation view of the spherical security camera of FIG. 1;
FIG. 5 is a bottom plan view of the spherical security camera of FIG. 1;
FIG. 6 is a rear elevation view of the spherical security camera of FIG. 1; and,
FIG. 7 is a left side elevation view of the spherical security camera of FIG. 1.
The broken line portions are shown to illustrate environment only and form no part of the claimed design.

1 Claim, 4 Drawing Sheets



(56)

References Cited

U.S. PATENT DOCUMENTS

D433,432 S * 11/2000 Prather et al. D16/202
 D442,202 S * 5/2001 Pfeifer et al. D16/202
 6,392,698 B1 5/2002 Yokoyama
 D467,952 S 12/2002 Nakamura
 D470,875 S * 2/2003 Liao D16/202
 D473,888 S 4/2003 Jones et al.
 D502,196 S 2/2005 Miyazaki
 D508,934 S 8/2005 Nagai
 D516,105 S 2/2006 Bradley et al.
 D523,887 S * 6/2006 Sitoh et al. D16/202
 D527,406 S * 8/2006 Lin D16/212
 D536,011 S 1/2007 Dayan
 D540,360 S 4/2007 Yamakawa
 D547,347 S 7/2007 Kim
 D552,148 S 10/2007 Yamakawa
 D552,649 S 10/2007 Logan et al.
 D554,682 S 11/2007 Martinez et al.
 7,425,101 B2 9/2008 Cheng
 D614,222 S 4/2010 Yamakawa
 D628,223 S 11/2010 Kao et al.
 D629,439 S 12/2010 Yoshida
 D633,543 S 3/2011 Park
 D633,931 S 3/2011 Ham
 D648,766 S 11/2011 Chen
 D653,687 S 2/2012 Yu
 D687,085 S 7/2013 Manson

D690,344 S 9/2013 Hollinger
 D700,232 S 2/2014 Ramsay et al.
 D705,844 S 5/2014 Bart et al.
 8,764,318 B2 7/2014 Wada et al.
 2005/0041965 A1 * 2/2005 Morozumi 396/427
 2006/0093342 A1 * 5/2006 Lee 396/79
 2006/0268161 A1 * 11/2006 Yu et al. 348/375
 2008/0056709 A1 3/2008 Huang
 2008/0136915 A1 6/2008 Iwamura
 2011/0064403 A1 3/2011 Nakano et al.
 2011/0123189 A1 5/2011 Saito
 2011/0128349 A1 * 6/2011 Theobald 348/36
 2013/0258102 A1 * 10/2013 Chen 348/143
 2013/0287385 A1 10/2013 Andersson
 2014/0320646 A1 * 10/2014 Neufeld et al. 348/143

OTHER PUBLICATIONS

Mobotix Corp., S14 FlexMount Camera, instruction manual; 36 pages.
 International Search Report and Written Opinion dated Nov. 18, 2013, issued by the Canadian Intellectual Property Office in corresponding International Patent Application No. PCT/CA2013/050334, filed Apr. 30, 2013. This application has not yet published.
 1 MP HD Micro Dome, webpage from URL: <http://avigilon.com/products/video-surveillance/cameras/hd-micro-dome/hd-micro-dome-cameras/1-mp-hd-micro-dome>.

* cited by examiner

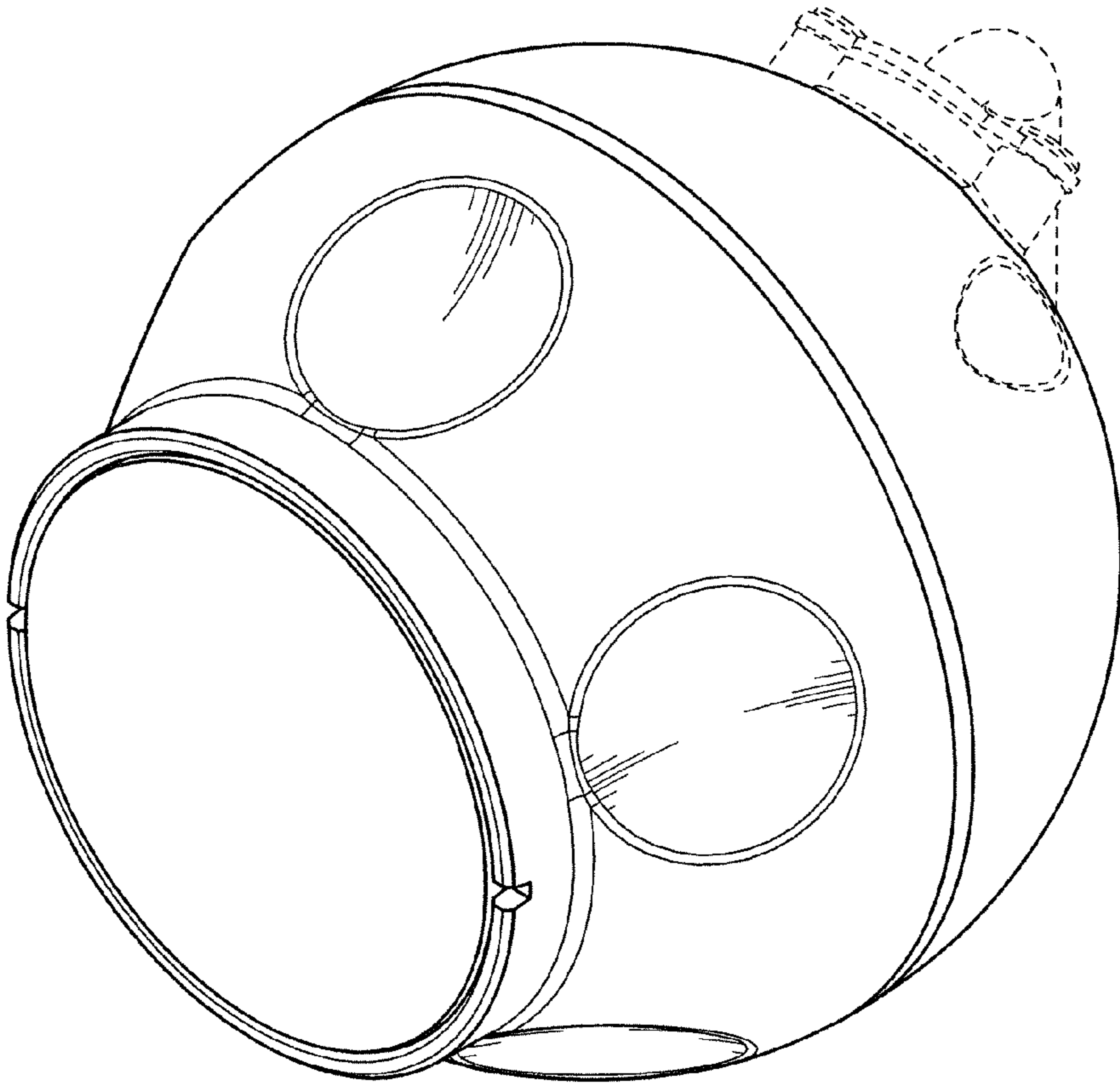


FIG. 1

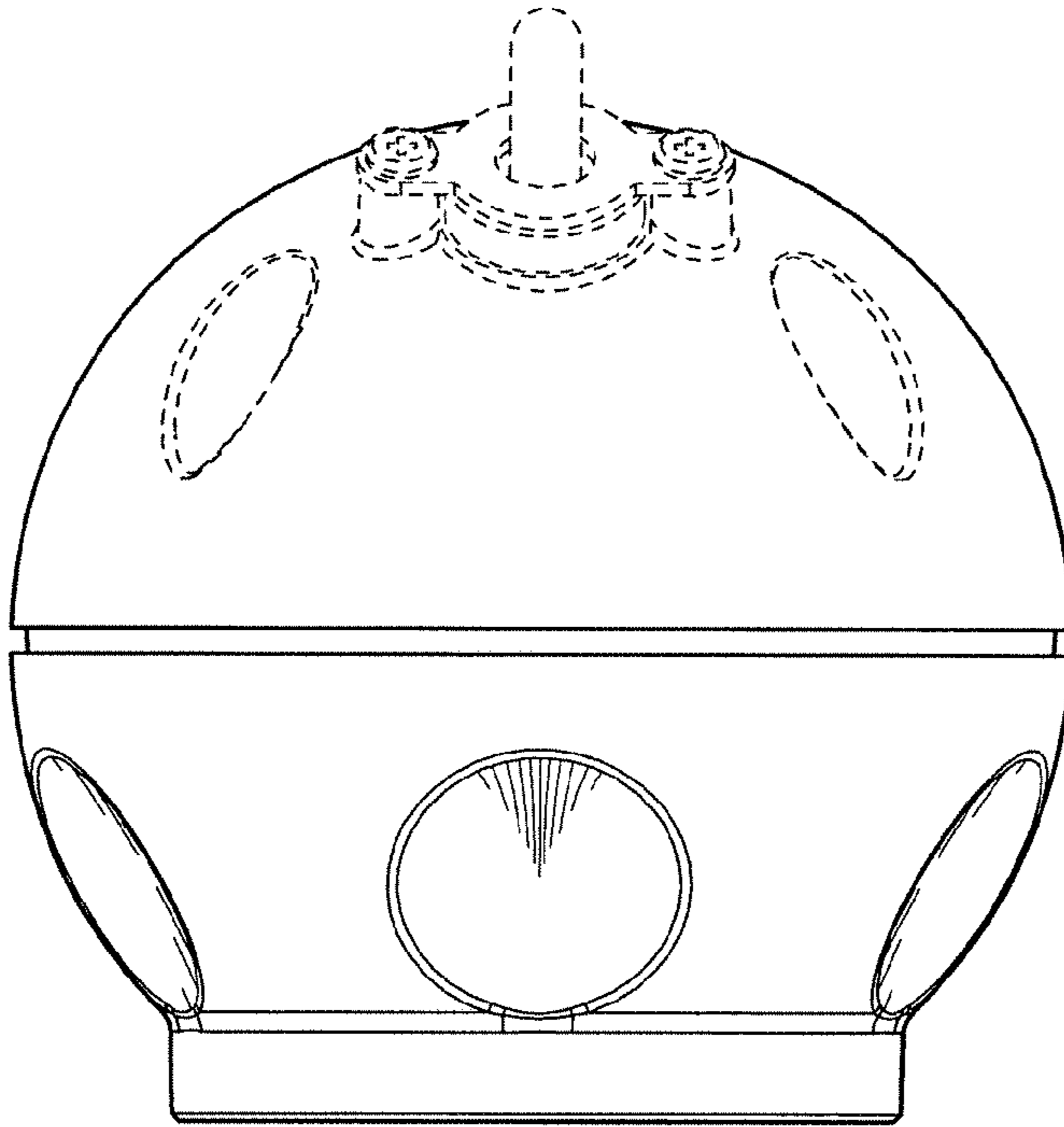


FIG. 2

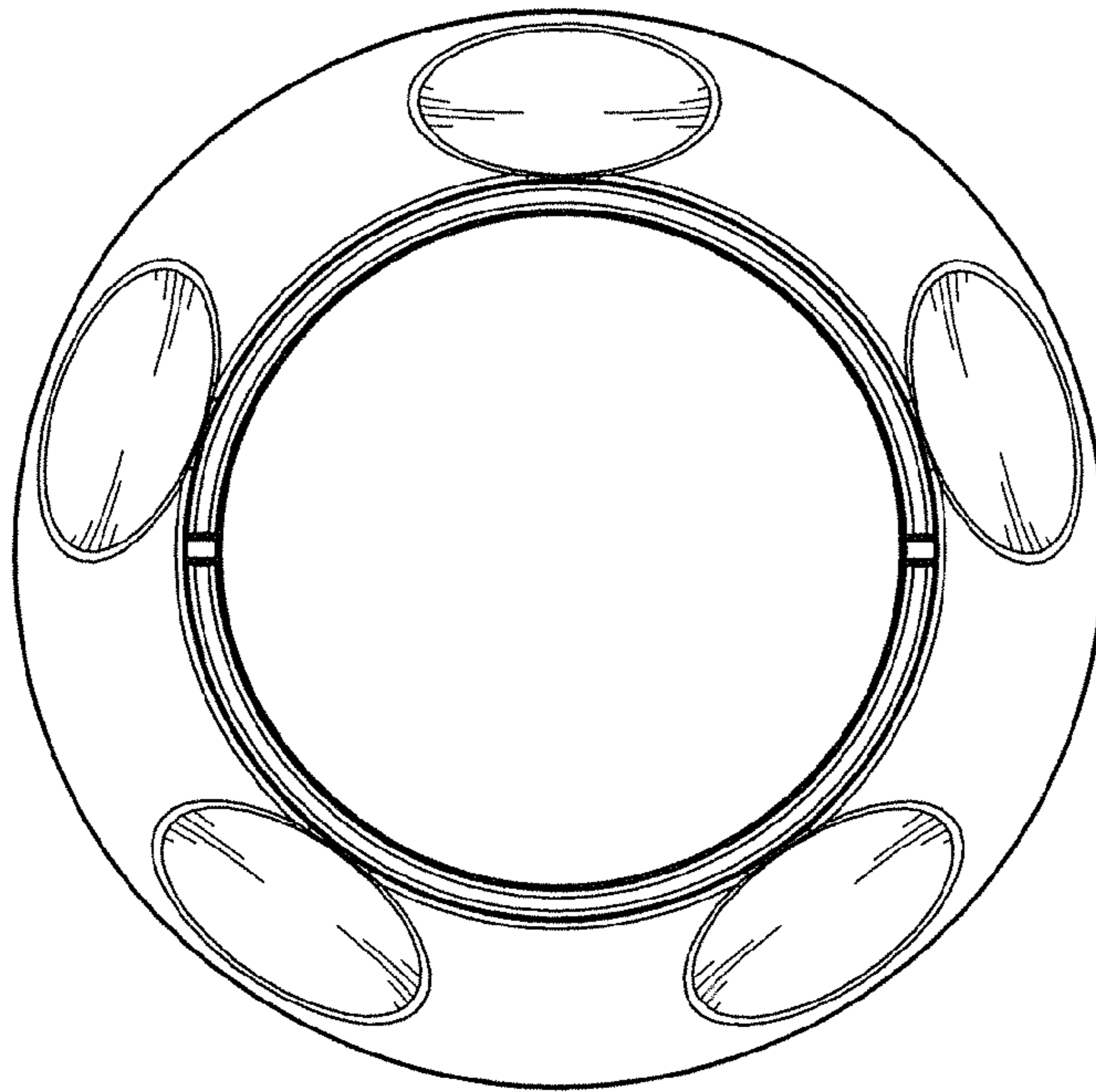


FIG. 3

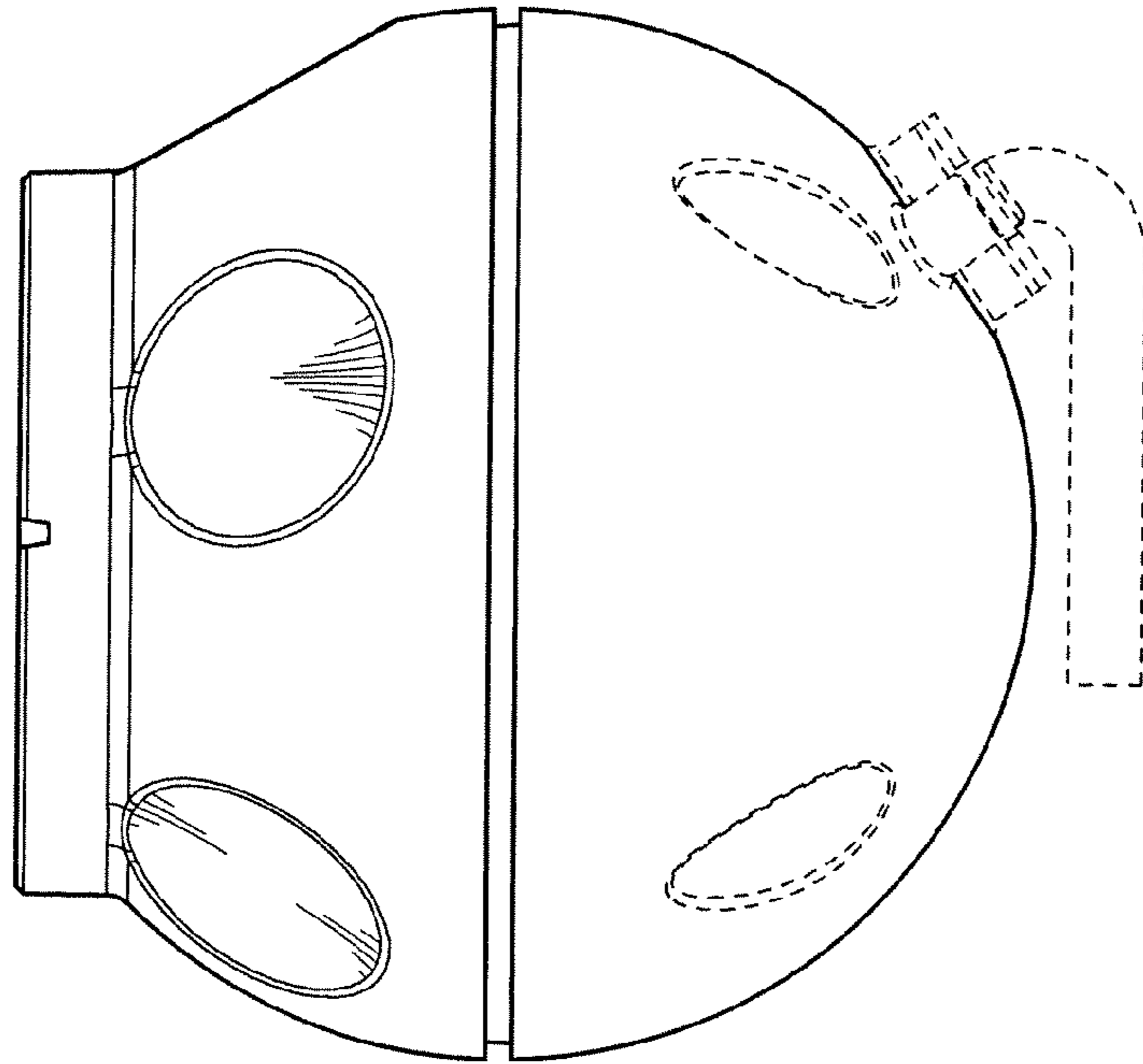


FIG. 4

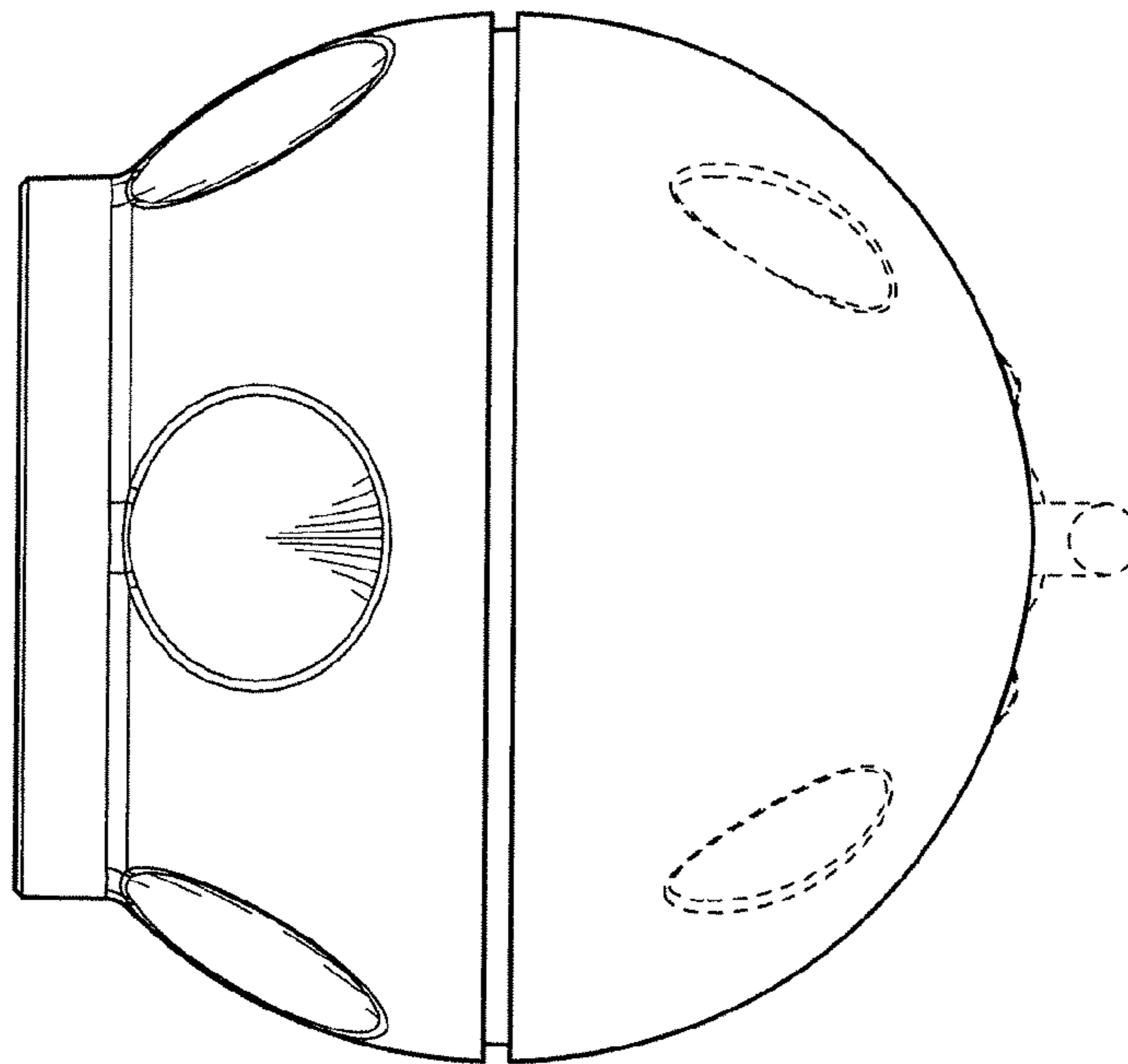


FIG. 5

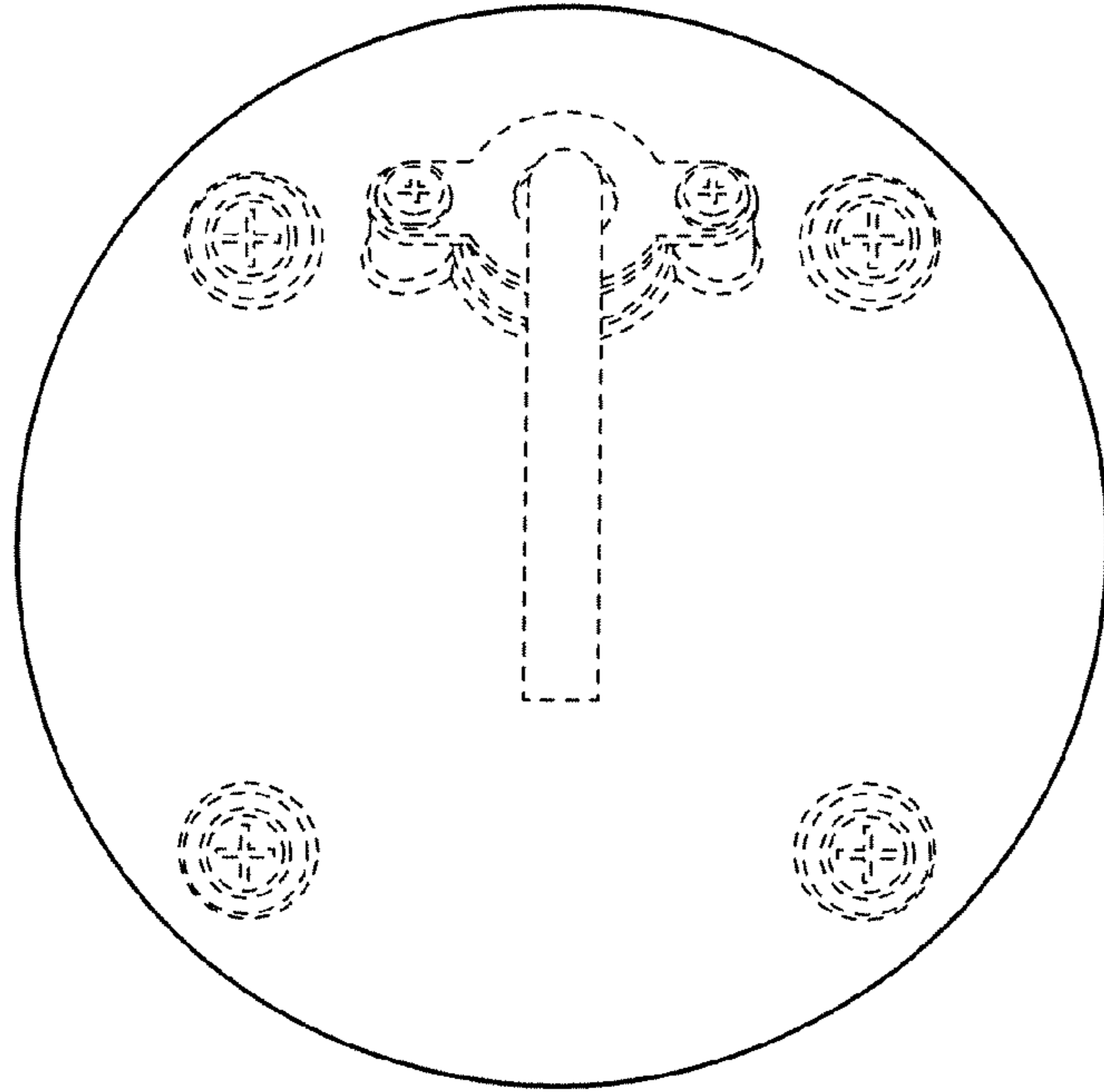


FIG. 6

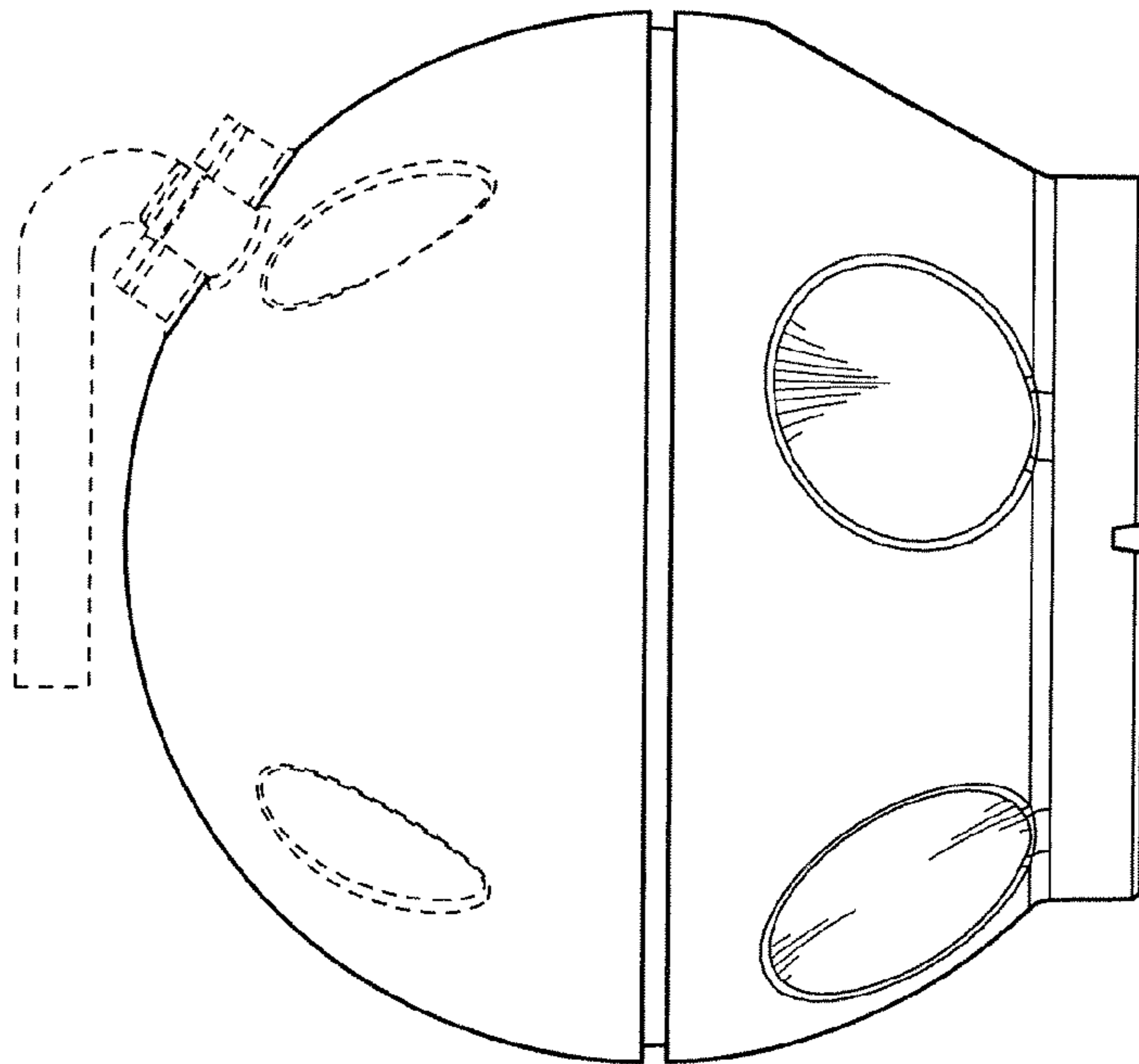


FIG. 7