



US00D723603S

(12) **United States Design Patent**
Hess, Jr.

(10) **Patent No.:** **US D723,603 S**
(45) **Date of Patent:** **** Mar. 3, 2015**

(54) **SURVEILLANCE CAMERA**
(71) Applicant: **WirePath Home Systems, LLC,**
Charlotte, NC (US)
(72) Inventor: **Galen Paul Hess, Jr.,** Waxhaw, NC (US)
(73) Assignee: **Wirepath Home Systems, LLC,**
Charlotte, NC (US)

7,874,744 B2 * 1/2011 Cirker 396/427
D634,345 S * 3/2011 Kim D16/203
D634,347 S * 3/2011 Park D16/203
D691,187 S * 10/2013 Seo et al. D16/203
2008/0170121 A1 * 7/2008 Su et al. 348/143

* cited by examiner

(**) Term: **14 Years**

Primary Examiner — Adir Aronovich
(74) *Attorney, Agent, or Firm* — Myers Bigel Sibley & Sajovec, PA

(21) Appl. No.: **29/466,303**

(57) **CLAIM**
The ornamental design for a surveillance camera, as shown and described.

(22) Filed: **Sep. 6, 2013**

DESCRIPTION

(51) **LOC (10) Cl.** **16-01**
(52) **U.S. Cl.**
USPC **D16/203**
(58) **Field of Classification Search**
CPC H04N 1/00; H04N 5/2252; H04N 5/225;
G03B 17/02; G03B 17/561; G03B 21/145;
G08B 13/19619
USPC D16/200, 202, 203, 204, 208, 218, 242;
348/143, 151, 373–376; 396/427,
396/535–541
See application file for complete search history.

FIG. 1 is a front perspective view illustrating my surveillance camera design;
FIG. 2 is a front elevational thereof;
FIG. 3 is a rear elevational thereof;
FIG. 4 is a right side elevational thereof;
FIG. 5 is a left side elevational thereof;
FIG. 6 is a top plan view thereof;
FIG. 7 is a bottom plan view thereof;
FIG. 8 is a front perspective view illustrating an alternative embodiment of my surveillance camera design;
FIG. 9 is a front elevational thereof;
FIG. 10 is a rear elevational thereof;
FIG. 11 is a right side elevational thereof;
FIG. 12 is a left side elevational thereof;
FIG. 13 is a top plan view thereof; and,
FIG. 14 is a bottom plan view thereof.

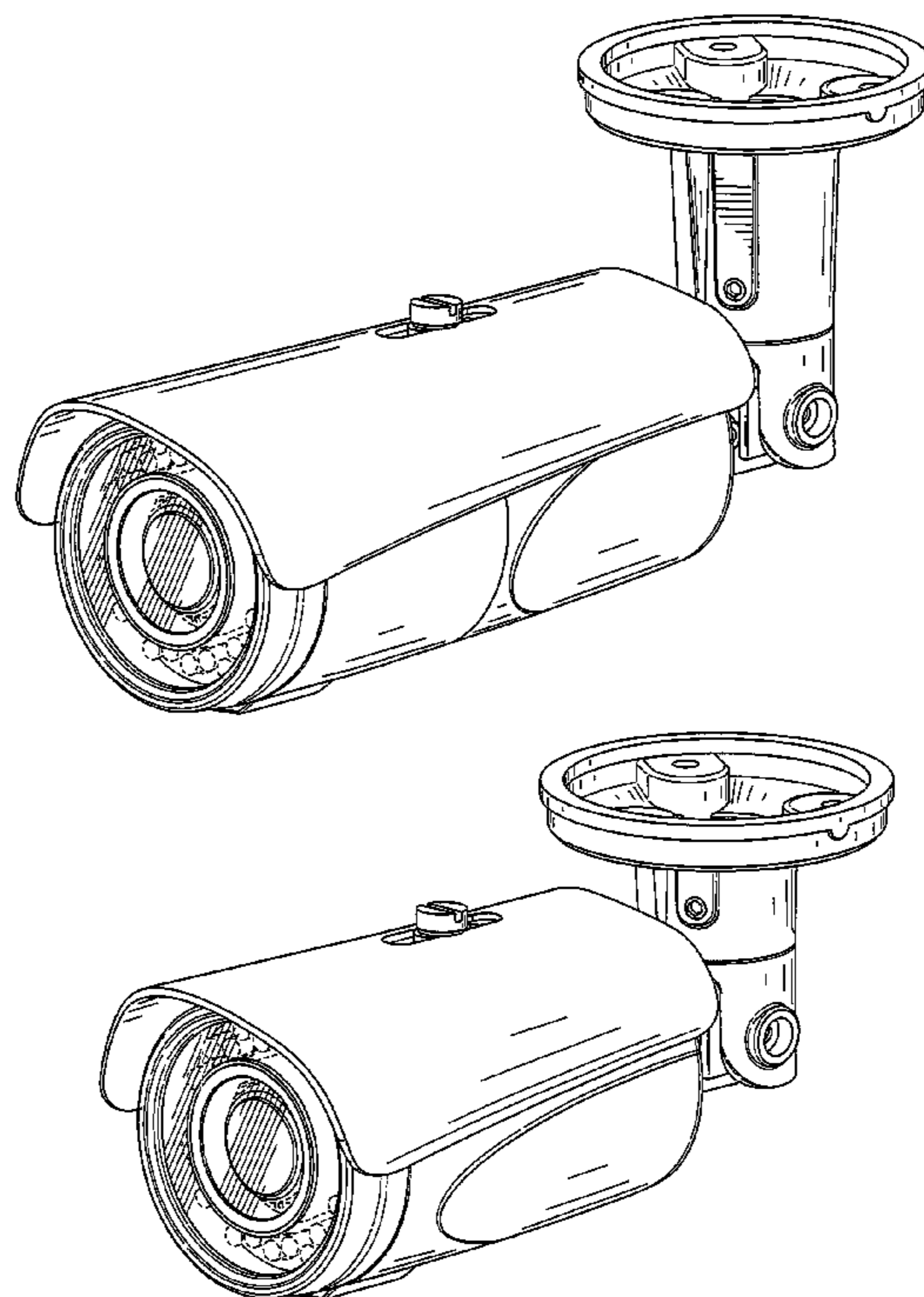
The broken lines shown herein are for illustrative purposes only and form no part of the claimed design.

(56) **References Cited**

U.S. PATENT DOCUMENTS

D497,928 S * 11/2004 Cheng-Yuan D16/203
6,824,318 B2 * 11/2004 Toste et al. 396/427
D514,150 S * 1/2006 Muto et al. D16/203
D515,607 S * 2/2006 Cheng D16/203
D574,028 S * 7/2008 Vernon et al. D16/208

1 Claim, 14 Drawing Sheets



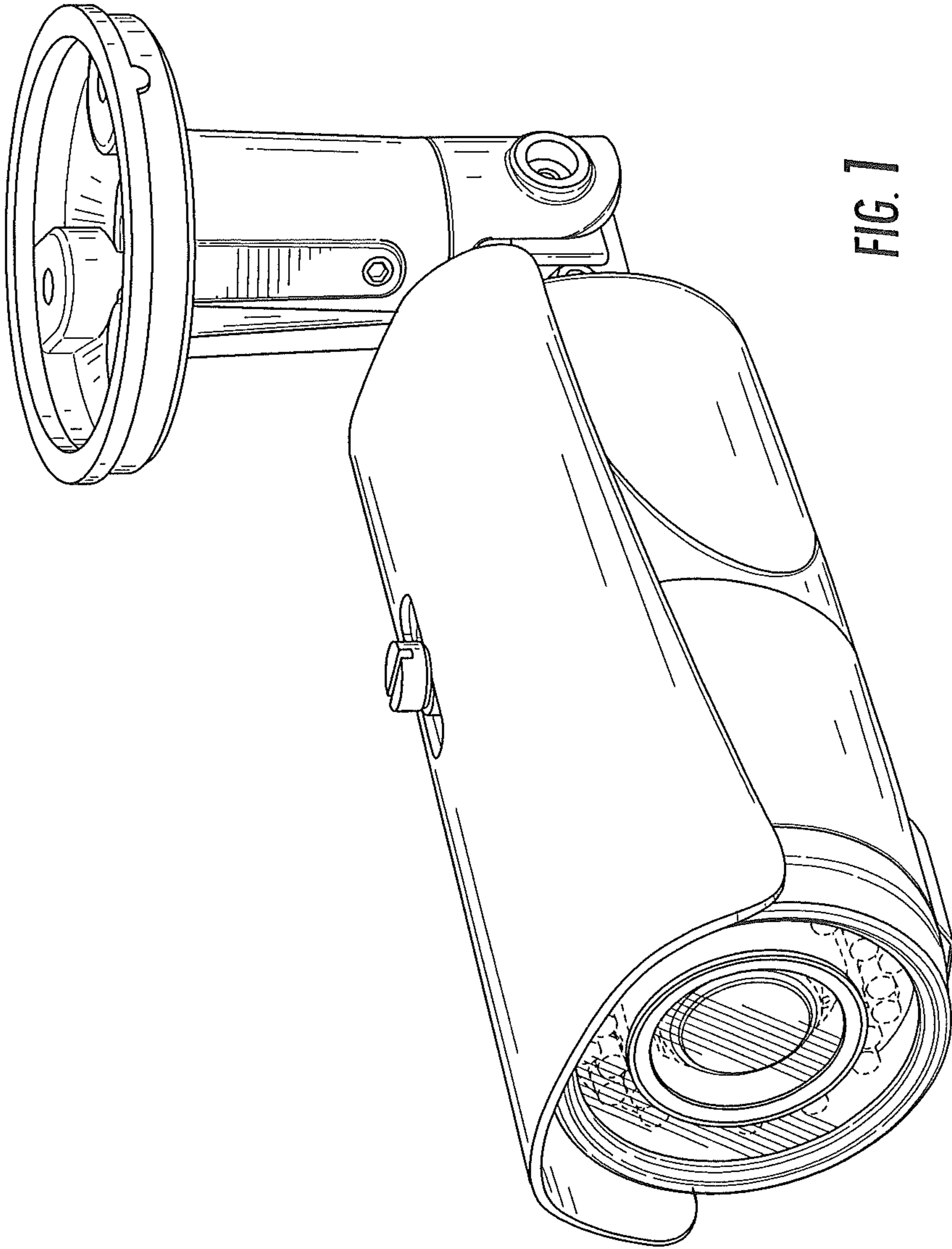


FIG. 1

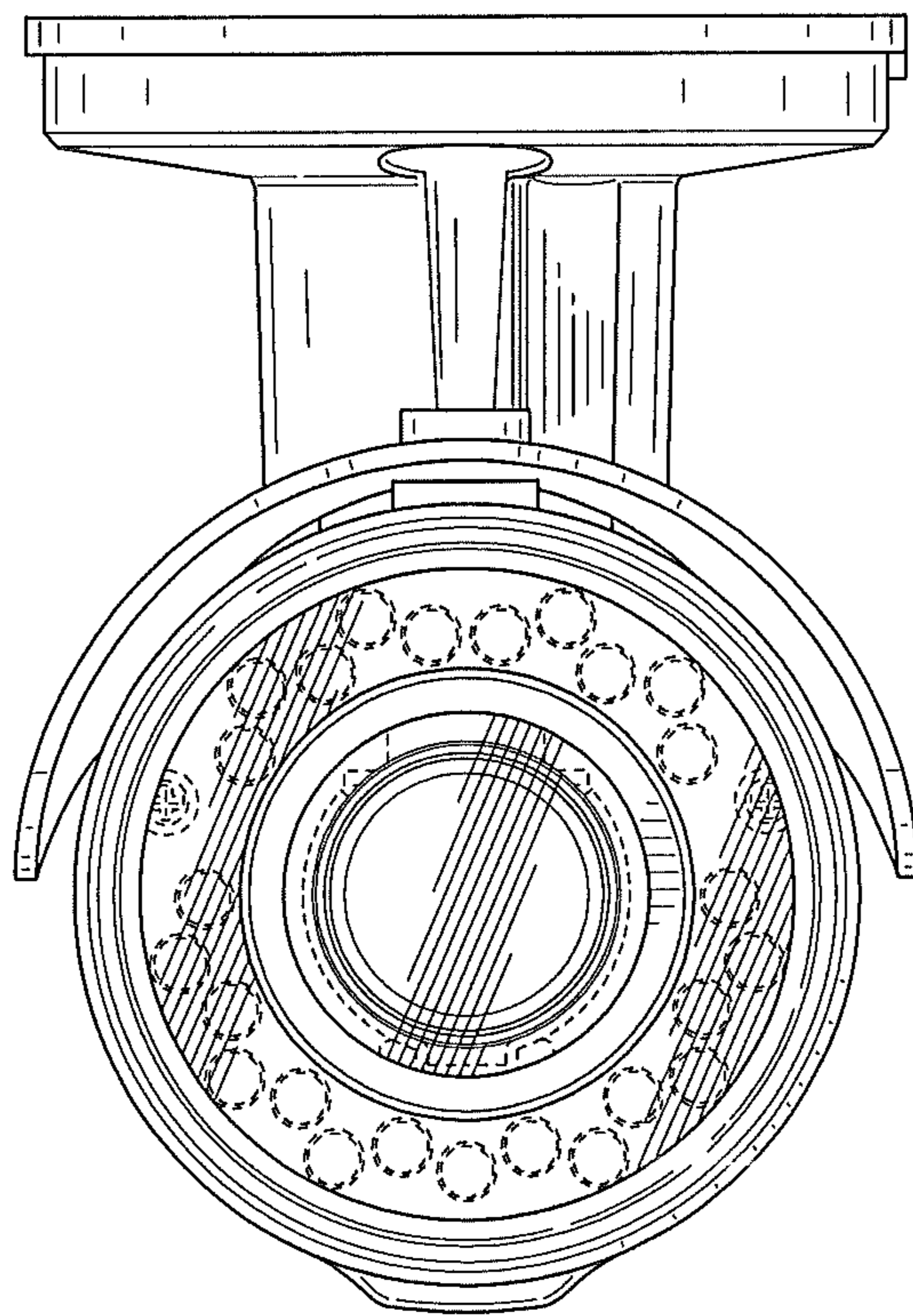


FIG. 2

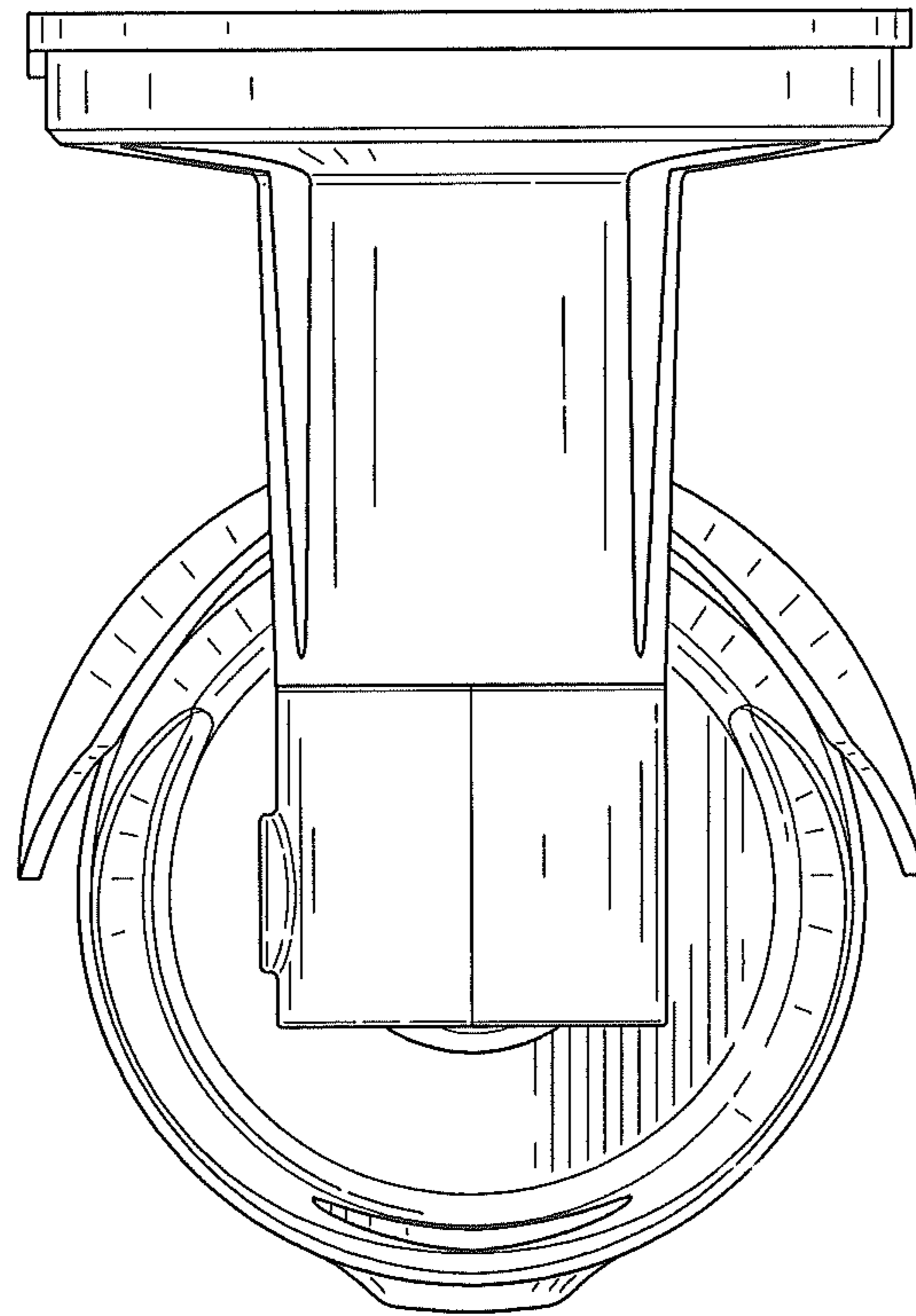
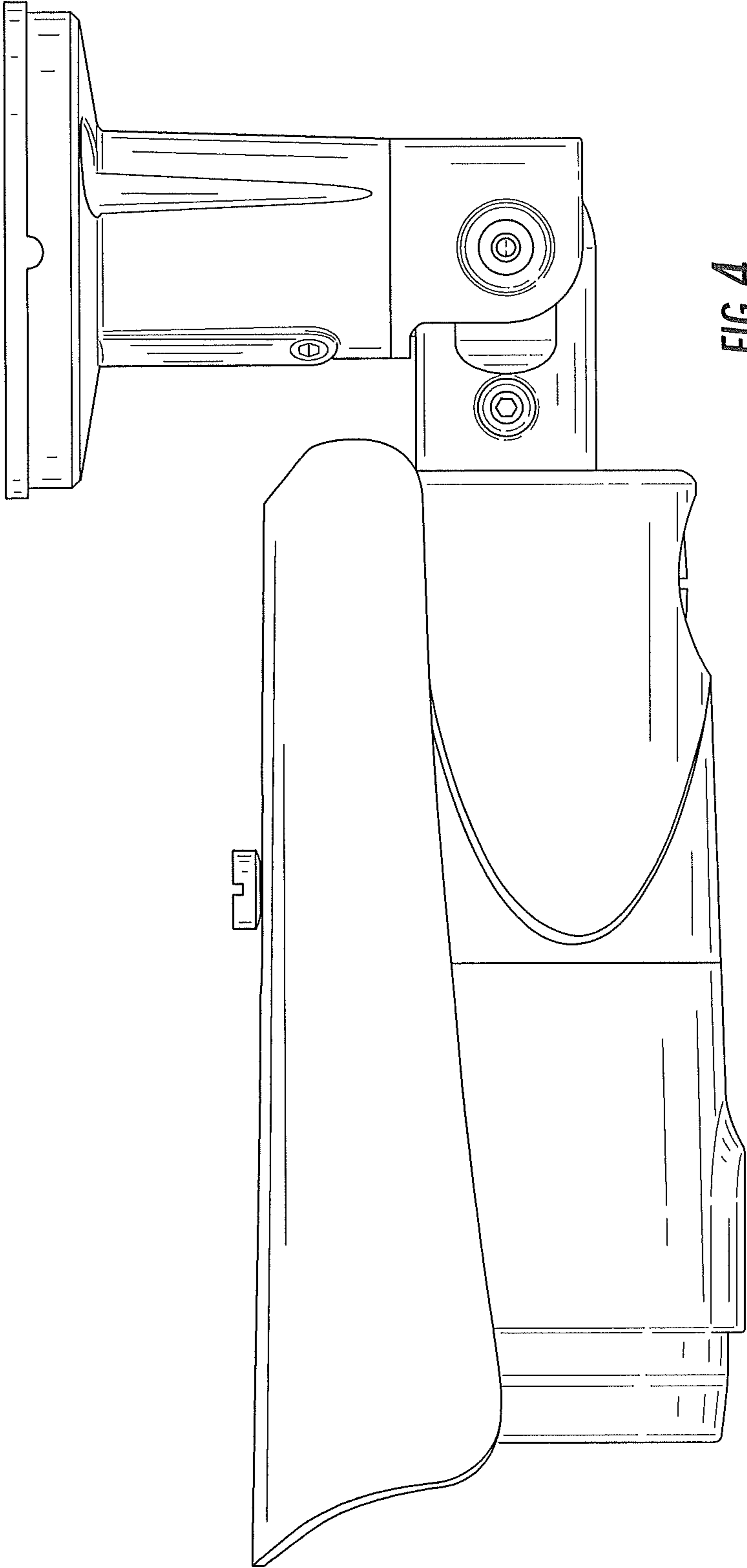


FIG. 3



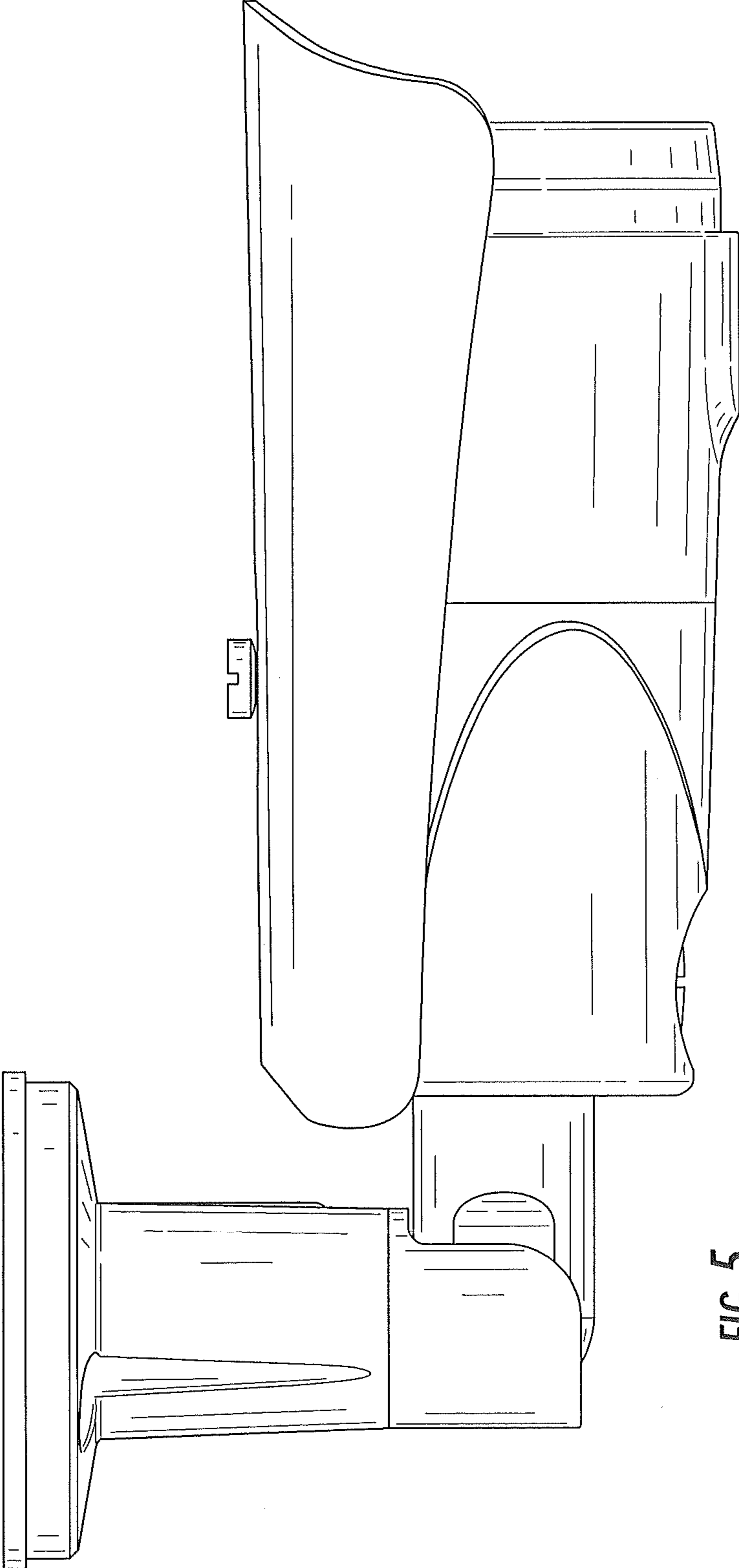


FIG. 5

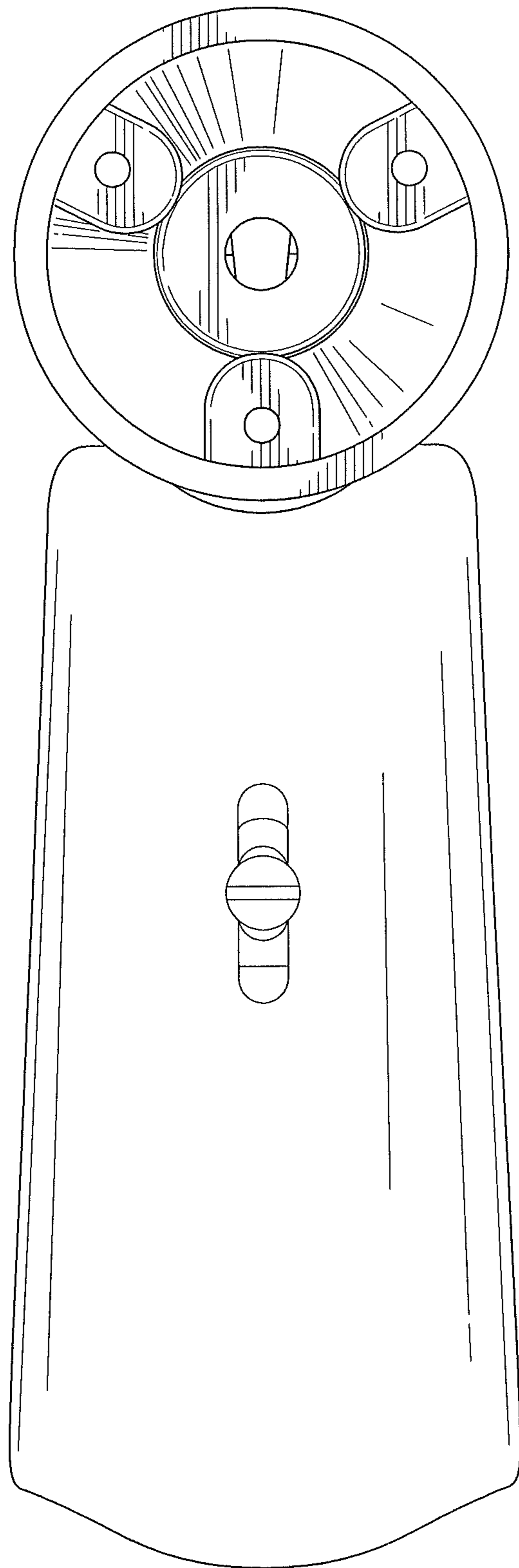


FIG. 6

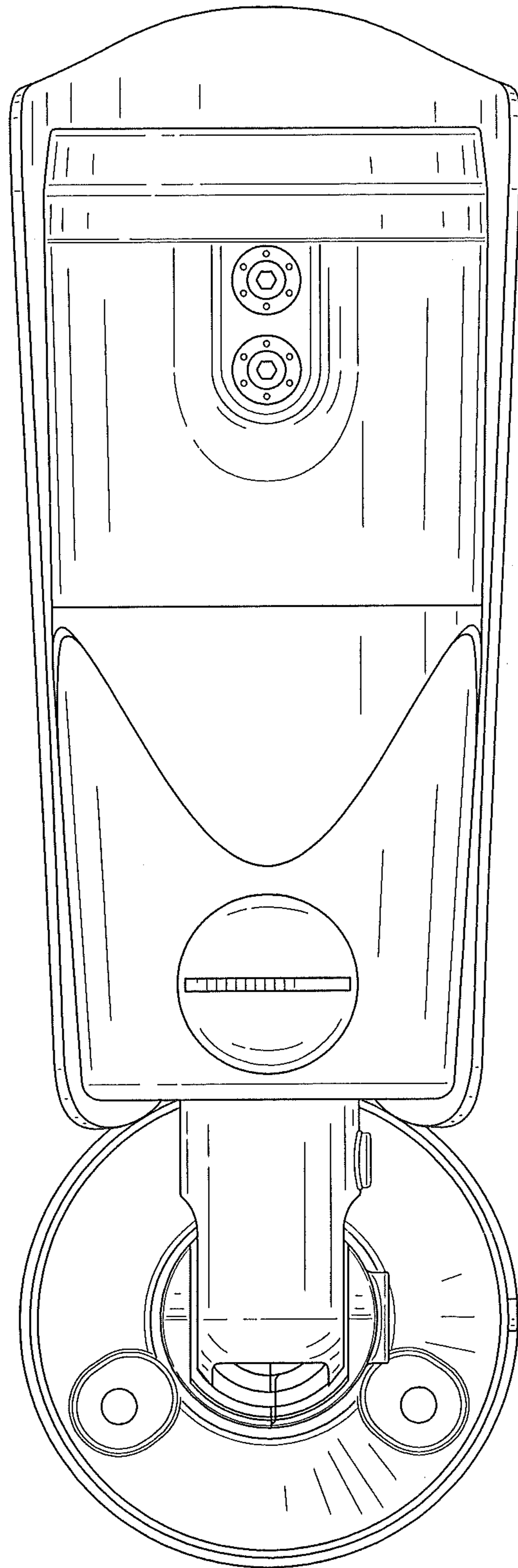


FIG. 7

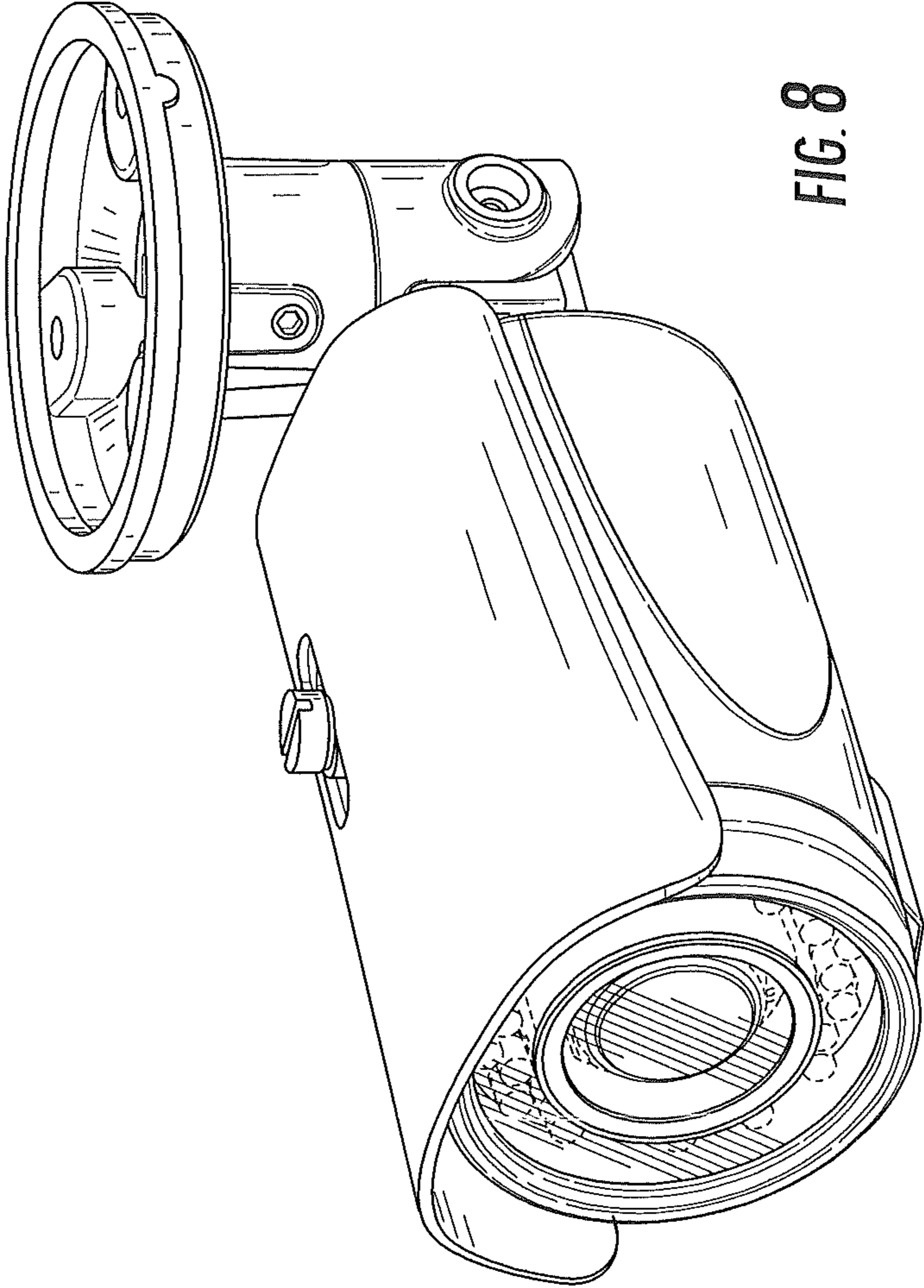


FIG. 8

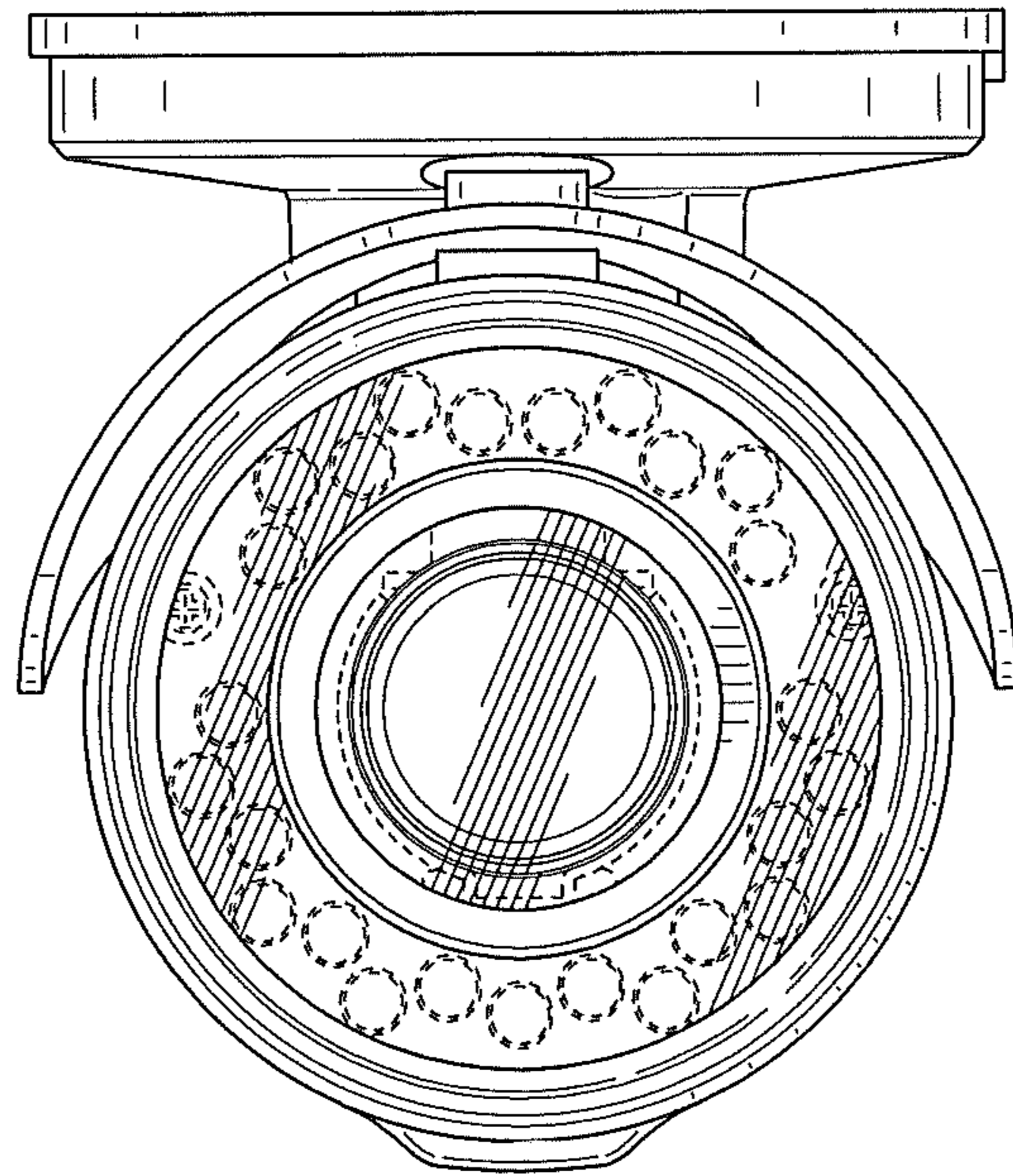


FIG. 9

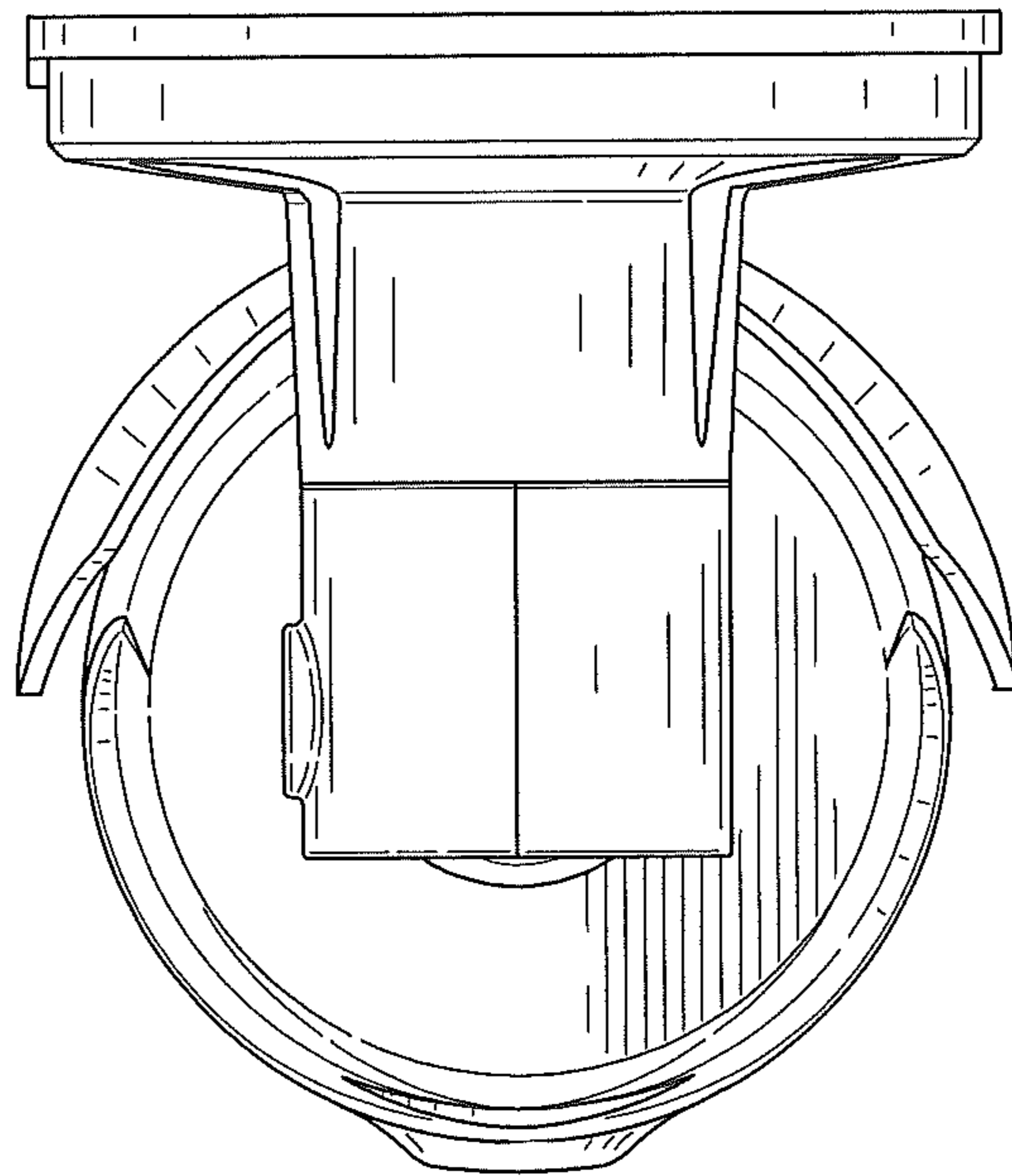


FIG. 10

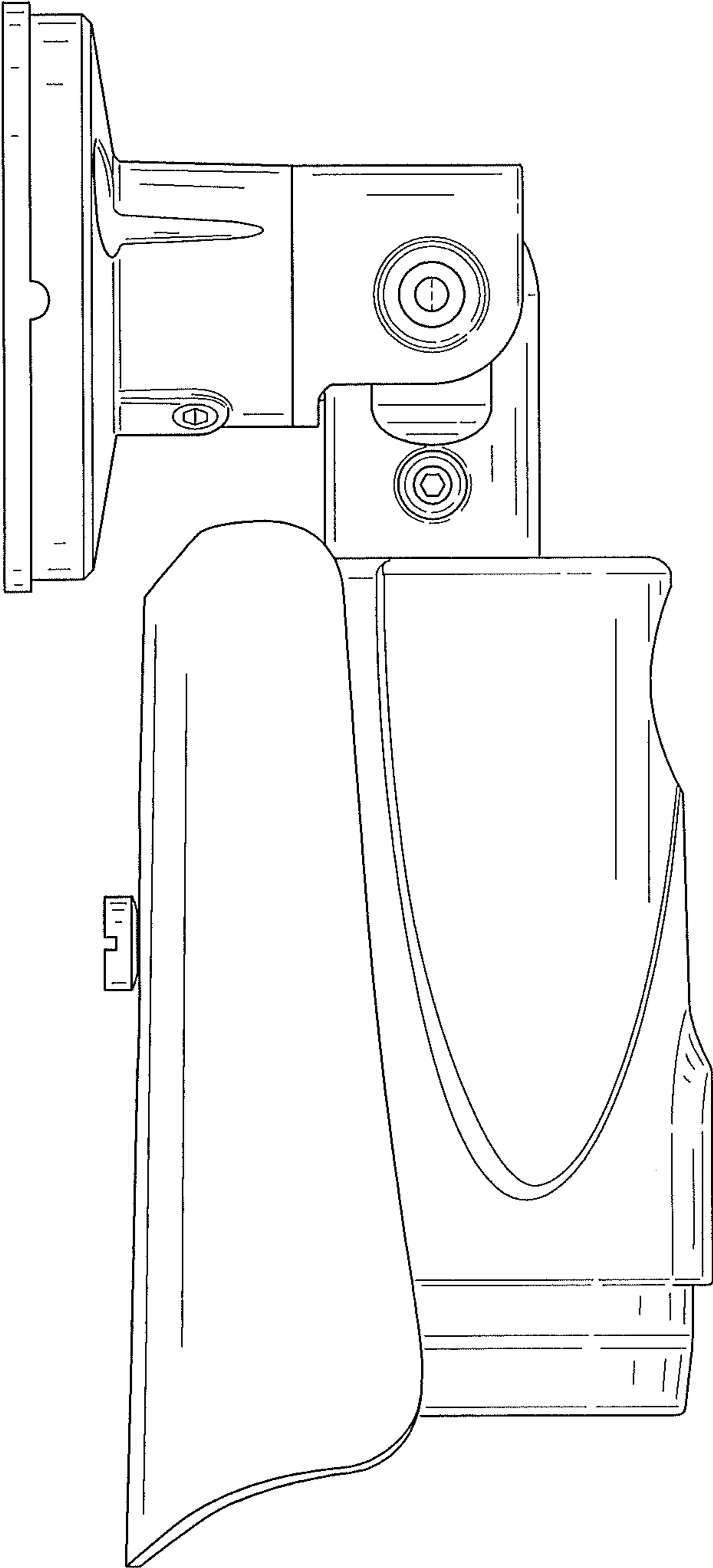


FIG. 11

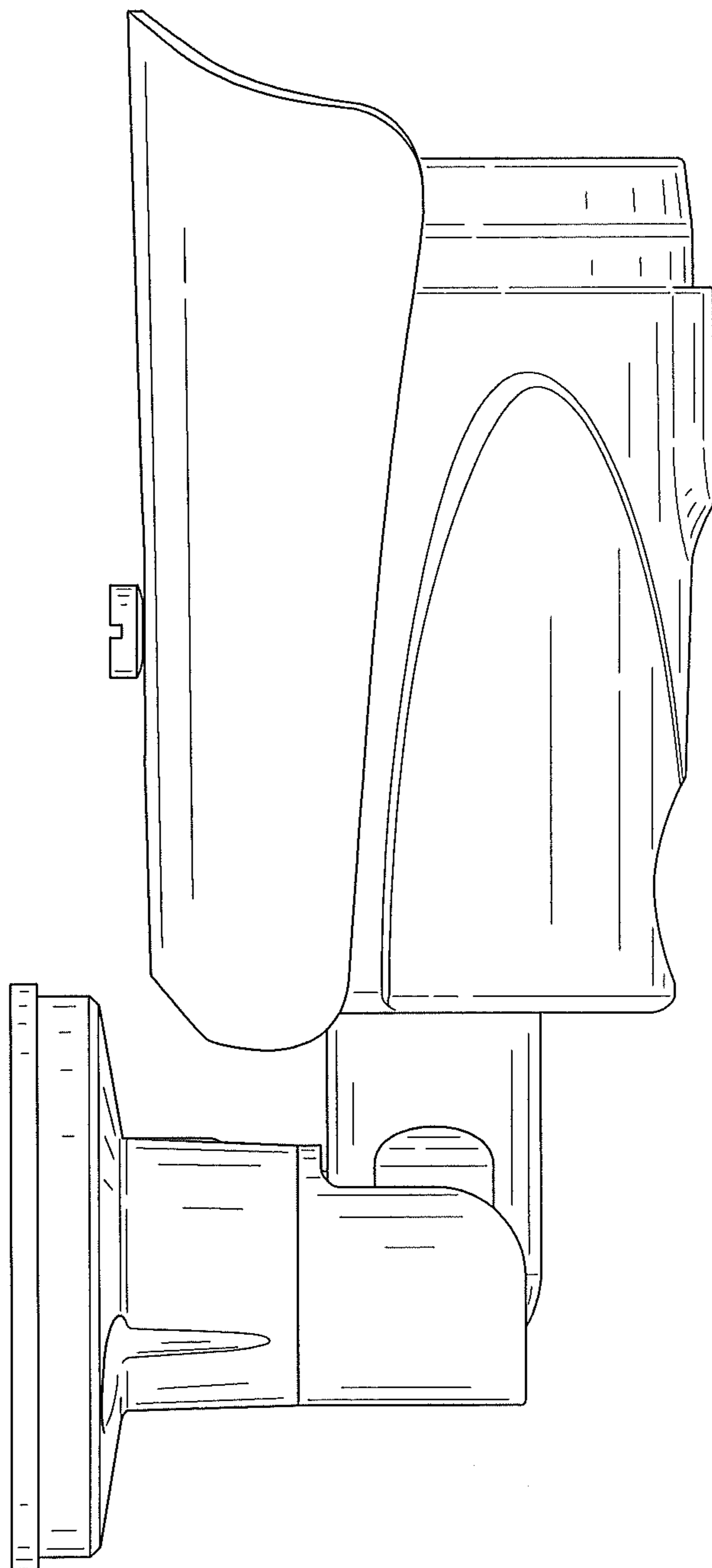


FIG. 12

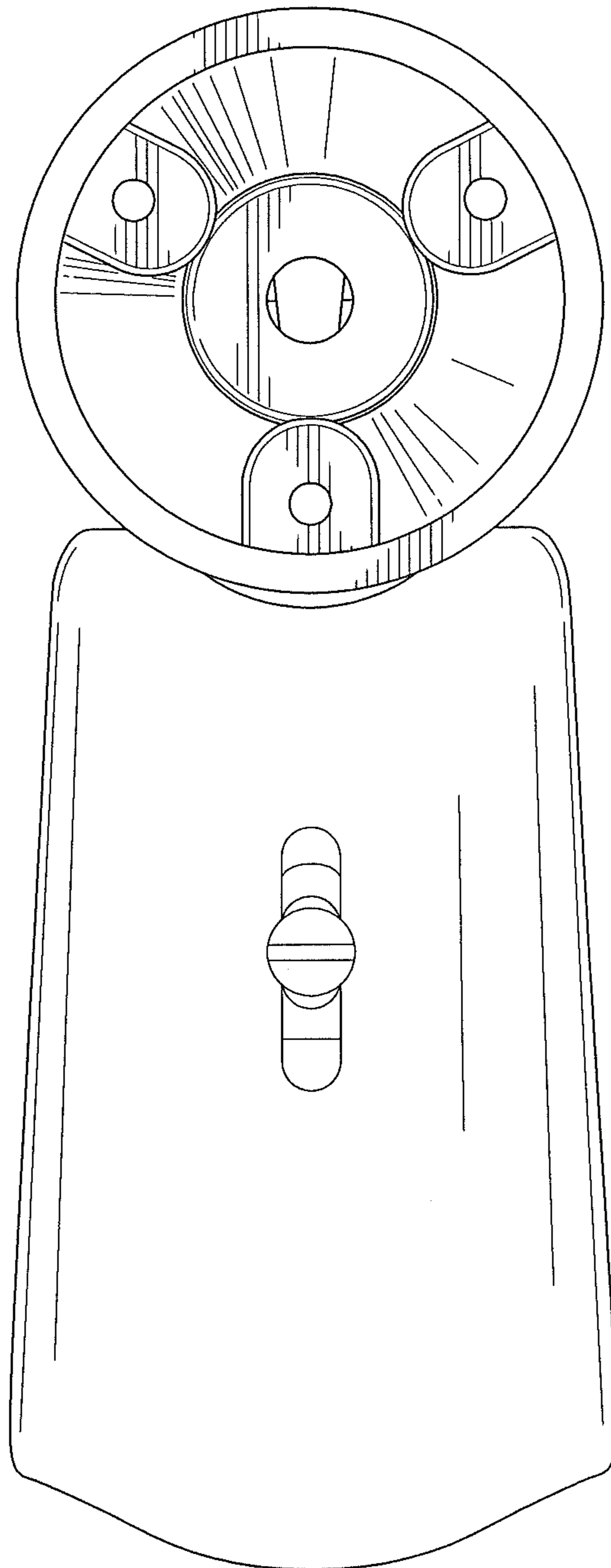


FIG. 13

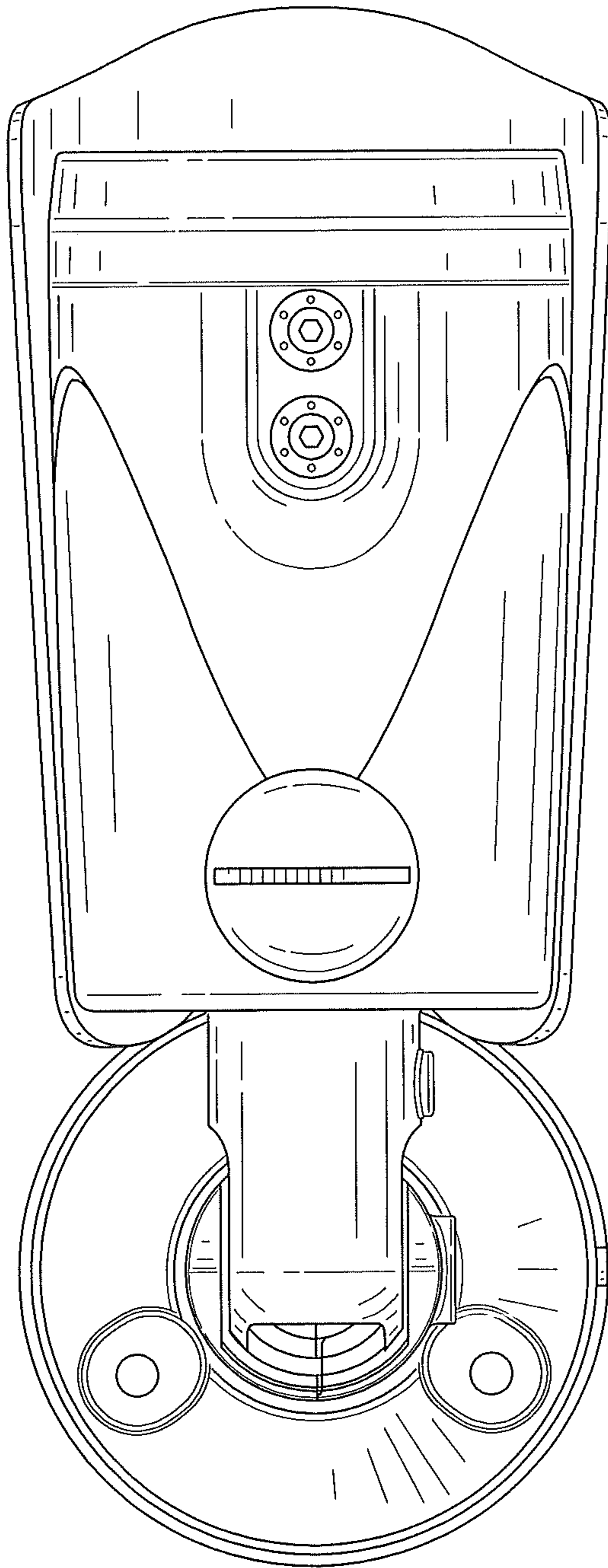


FIG. 14

UNITED STATES PATENT AND TRADEMARK OFFICE
CERTIFICATE OF CORRECTION

PATENT NO. : D723,603 S
APPLICATION NO. : 29/466303
DATED : March 3, 2015
INVENTOR(S) : Hess, Jr.

Page 1 of 1

It is certified that error appears in the above-identified patent and that said Letters Patent is hereby corrected as shown below:

On Title Page:

Item 73, Assignee: Please correct:

“Wirepath Home Systems, LLC, Charlotte, NC (US)”

to read -- Wirepath Home Systems, LLC d/b/a SnapAV, Charlotte, NC (US) --

Signed and Sealed this
First Day of September, 2015



Michelle K. Lee
Director of the United States Patent and Trademark Office