



US00D723601S

(12) **United States Design Patent**
O'Neill et al.

(10) **Patent No.:** **US D723,601 S**
(45) **Date of Patent:** **** Mar. 3, 2015**

- (54) **OPTICAL COMPONENT MOUNT**
- (71) Applicant: **olloclip, LLC**, Huntington Beach, CA (US)
- (72) Inventors: **Patrick D. O'Neill**, Huntington Beach, CA (US); **Chong Pak**, Lakewood, CA (US)
- (73) Assignee: **olloclip, LLC**, Huntington Beach, CA (US)
- (**) Term: **14 Years**
- (21) Appl. No.: **29/478,914**
- (22) Filed: **Jan. 9, 2014**

Related U.S. Application Data

- (62) Division of application No. 29/435,906, filed on Oct. 30, 2012, now Pat. No. Des. 697,958.
- (51) **LOC (10) Cl.** **16-06**
- (52) **U.S. Cl.**
USPC **D16/134; D16/136**
- (58) **Field of Classification Search**
CPC G02B 7/02
USPC D16/134, 130, 136, 219, 237, 135, 208;
D14/432, 433, 511; 396/427; 359/808,
359/811, 819, 827; 455/556.1
See application file for complete search history.

(56) **References Cited**

U.S. PATENT DOCUMENTS

| | | | |
|--------------|---------|-----------|---------------|
| 971,798 A | 10/1910 | Somdal | |
| D138,816 S * | 9/1944 | Glasser | D16/133 |
| D141,692 S | 6/1945 | Nemeth | |
| 2,428,719 A | 10/1947 | Nemeth | |
| D148,816 S | 2/1948 | Pemstein | |
| 3,090,282 A | 5/1963 | Angenieux | |
| 3,133,140 A | 5/1964 | Winchell | |

| | | |
|-------------|---------|-----------------|
| 3,138,060 A | 6/1964 | Eggert et al. |
| 3,454,323 A | 7/1969 | Dierks et al. |
| 3,620,149 A | 11/1971 | Ogihara |
| 3,680,461 A | 8/1972 | Amesbury et al. |
| 3,796,489 A | 3/1974 | Sone et al. |

(Continued)

FOREIGN PATENT DOCUMENTS

| | | |
|----|-------------|---------|
| CN | 1797169 A | 7/2006 |
| CN | 201173987 Y | 12/2008 |

(Continued)

OTHER PUBLICATIONS

Design U.S. Appl. No. 29/452,461, filed Apr. 16, 2013, O'Neill et al.
(Continued)

Primary Examiner — Paula Greene

(74) *Attorney, Agent, or Firm* — Knobbe, Martens, Olson & Bear, LLP

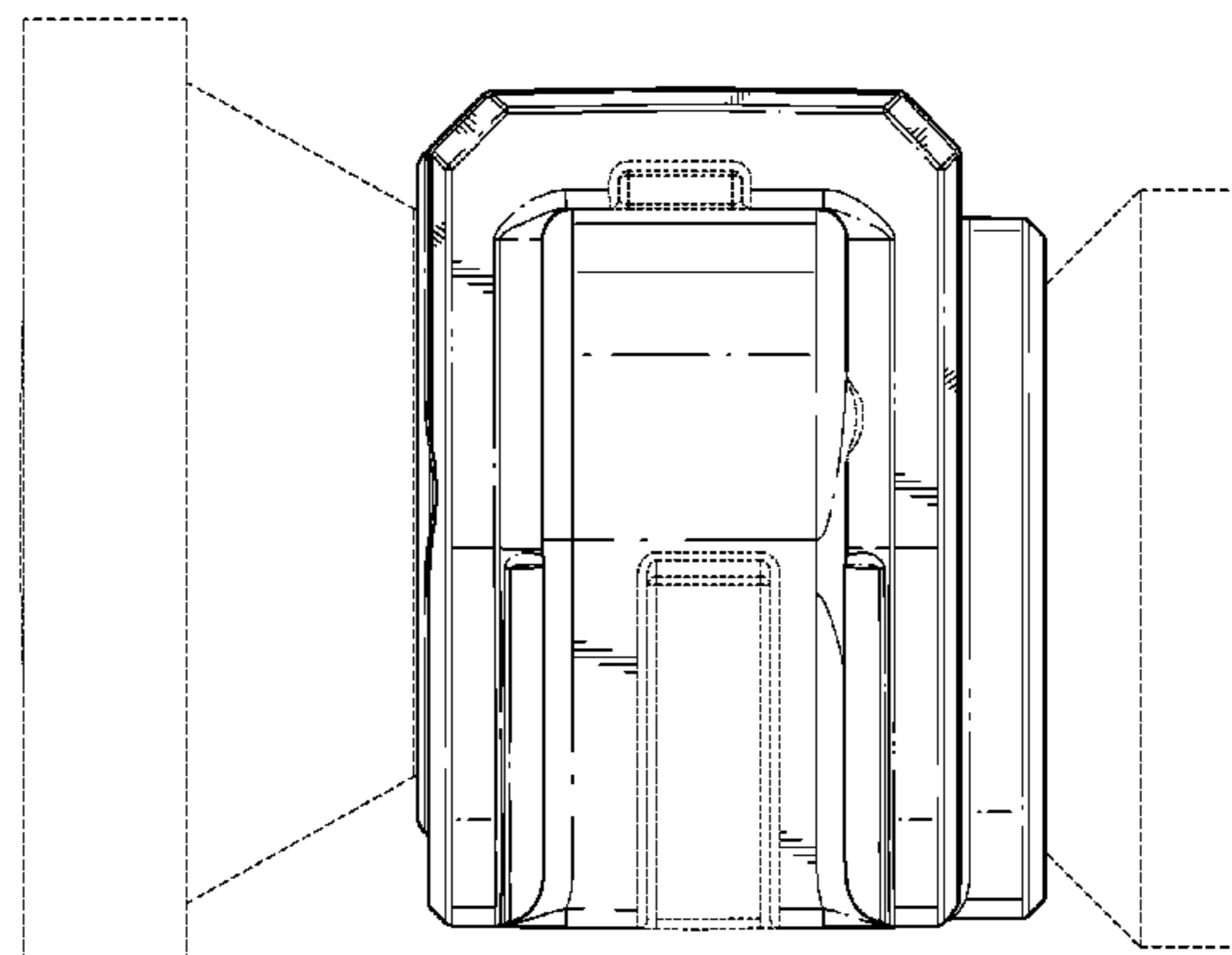
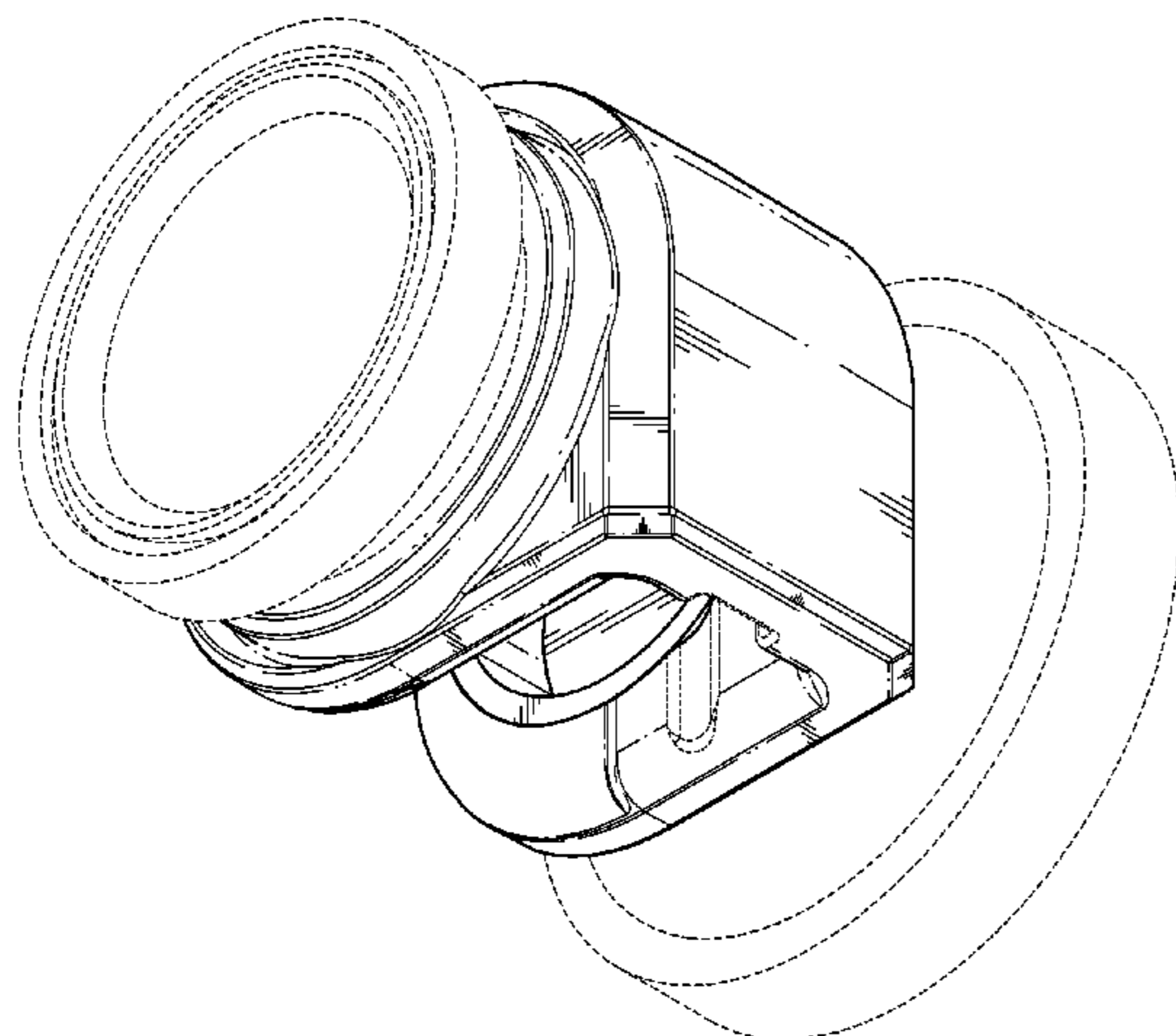
(57) **CLAIM**

The ornamental design for an optical component mount, as shown and described.

DESCRIPTION

FIG. 1 is a front, top, and right side perspective view of an optical component mount;
 FIG. 2 is a back, bottom, and left side perspective view thereof;
 FIG. 3 is a right side elevation view thereof;
 FIG. 4 is a left side elevation view thereof;
 FIG. 5 is a front side elevation view thereof;
 FIG. 6 is a back side elevation view thereof;
 FIG. 7 is a top plan view thereof; and,
 FIG. 8 is a bottom plan view thereof.
 The features illustrated in phantom line form no part of the claimed design.

1 Claim, 8 Drawing Sheets



(56)

References Cited

U.S. PATENT DOCUMENTS

3,817,601 A 6/1974 Colaiace et al.
 3,828,991 A 8/1974 Moore
 D234,007 S 12/1974 Ritter
 D248,160 S 6/1978 Feinbloom et al.
 4,264,167 A 4/1981 Plummer
 4,305,386 A 12/1981 Tawara
 D264,048 S 4/1982 Magner
 D274,336 S 6/1984 Huckenbeck
 D274,691 S 7/1984 Wallace
 D275,766 S 10/1984 Suzuki
 D295,871 S 5/1988 Charles
 4,760,510 A 7/1988 Lahti
 4,864,333 A 9/1989 Barber
 4,893,143 A 1/1990 Sheng-Huei
 5,050,963 A 9/1991 Murakami
 5,054,886 A 10/1991 Ozaki et al.
 5,311,358 A 5/1994 Pederson et al.
 5,416,544 A 5/1995 Stapleton
 5,455,711 A 10/1995 Palmer
 5,461,444 A * 10/1995 Okura et al. 396/529
 D374,878 S 10/1996 Palmer
 D387,787 S 12/1997 Palmer
 5,781,351 A * 7/1998 Murakami et al. 359/808
 5,831,778 A 11/1998 Chueh
 6,545,825 B2 4/2003 Shoji et al.
 6,752,516 B1 6/2004 Beadle
 6,889,006 B2 5/2005 Kobayashi
 D544,512 S * 6/2007 Huang D16/135
 D546,863 S * 7/2007 Ito et al. D16/219
 D560,702 S 1/2008 Tokiwa et al.
 7,600,932 B2 10/2009 Senba et al.
 7,604,423 B2 10/2009 Nagata et al.
 7,639,353 B2 12/2009 Rooke
 7,967,513 B2 6/2011 Zhang
 8,000,589 B2 8/2011 Chan
 8,040,621 B2 10/2011 Chang et al.
 D649,970 S 12/2011 Lyford et al.
 8,073,324 B2 12/2011 Tsai
 8,279,544 B1 10/2012 O'Neill
 D678,379 S * 3/2013 O'Neill et al. D16/134

D686,265 S * 7/2013 O'Neill et al. D16/134
 8,508,868 B2 8/2013 Weber et al.
 D692,472 S * 10/2013 Samuels et al. D16/136
 8,593,745 B2 * 11/2013 O'Neill 359/827
 D695,332 S * 12/2013 O'Neill D16/237
 D697,957 S * 1/2014 Glasse et al. D16/134
 D697,958 S * 1/2014 O'Neill et al. D16/134
 D699,275 S * 2/2014 Samuels et al. D16/136
 D700,228 S * 2/2014 O'Neill et al. D16/134
 D708,652 S * 7/2014 Hyers D16/136
 D708,653 S * 7/2014 Hyers D16/136
 2005/0088612 A1 4/2005 Smith et al.
 2007/0053682 A1 3/2007 Chang
 2007/0275763 A1 11/2007 Sawadski et al.
 2007/0280677 A1 12/2007 Drake et al.
 2009/0109558 A1 4/2009 Schaefer
 2009/0181729 A1 7/2009 Griffin, Jr. et al.
 2010/0048243 A1 2/2010 Fourquin et al.
 2010/0328420 A1 12/2010 Roman
 2011/0043683 A1 2/2011 Beach et al.
 2011/0110654 A1 5/2011 Maki
 2013/0135759 A1 5/2013 O'Neill

FOREIGN PATENT DOCUMENTS

JP 2006 251150 9/2006
 JP 2007 206137 8/2007
 WO WO 2006 002674 1/2006

OTHER PUBLICATIONS

Design U.S. Appl. No. 29/435,906, filed Oct. 30, 2013, O'Neill et al.
 Design U.S. Appl. No. 29/473,454, filed Nov. 21, 2013, O'Neill et al.
 Design U.S. Appl. No. 29/473,455, filed Nov. 21, 2013, O'Neill et al.
 Design U.S. Appl. No. 29/473,456, filed Nov. 21, 2013, O'Neill et al.
 Amazon.com: Fish Eye lens + Wide Angle Lens + Macro Lens 3-in-1 Kit for iPod iPhone 4g.
 Focal, "Auxiliary Lens Set for Kodak Disc Camera", circa 1980s (photograph).
 Kickstarter.Com, "Glif—iPhone 4 Tripod Mount & Stand", <http://www.kickstarter.com/projects/danprovost/glif-iphone-4-tripod-mount-and-stand>, Oct. 3, 2013 (selected screenshots from video).

* cited by examiner

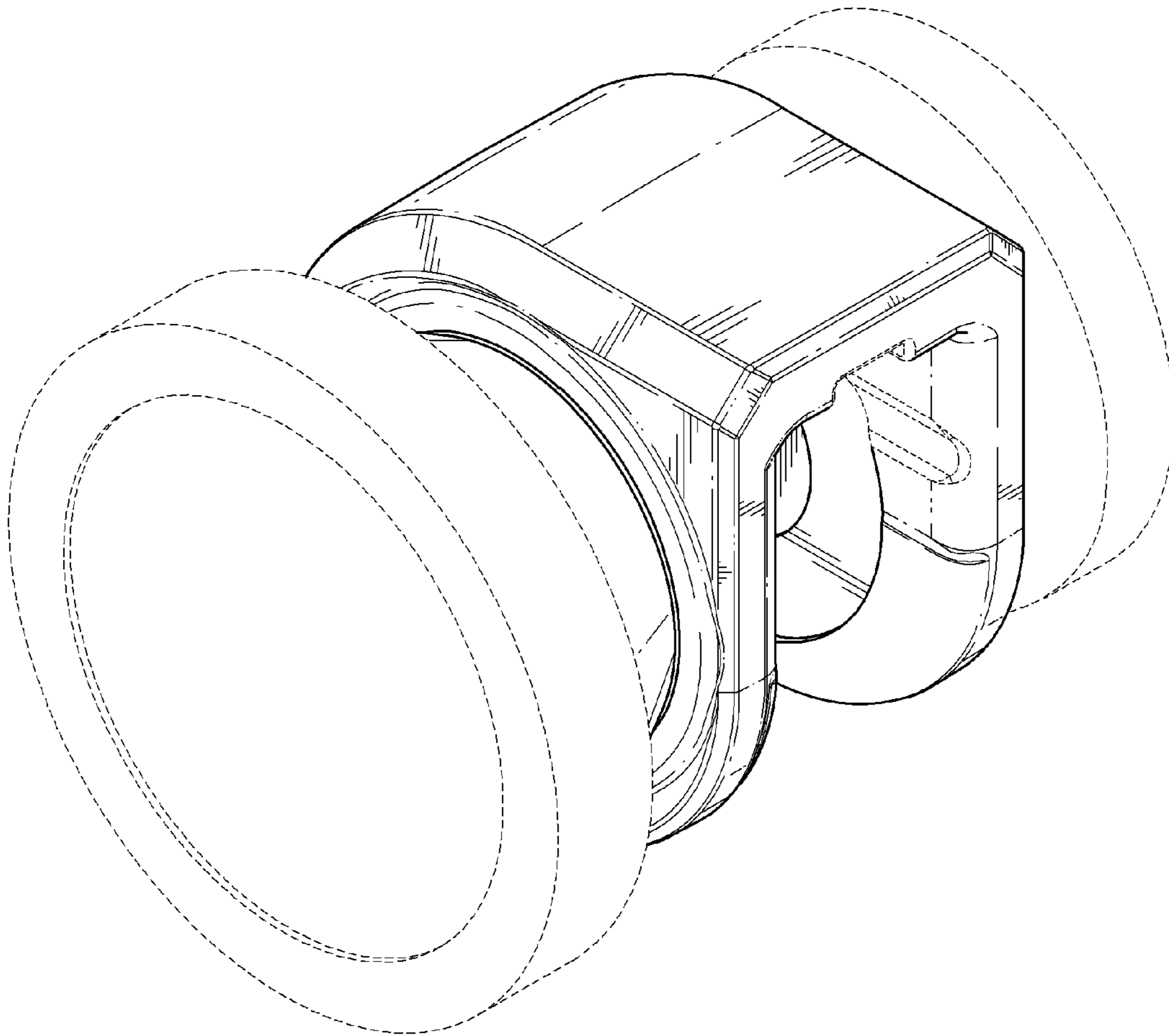


FIG. 1

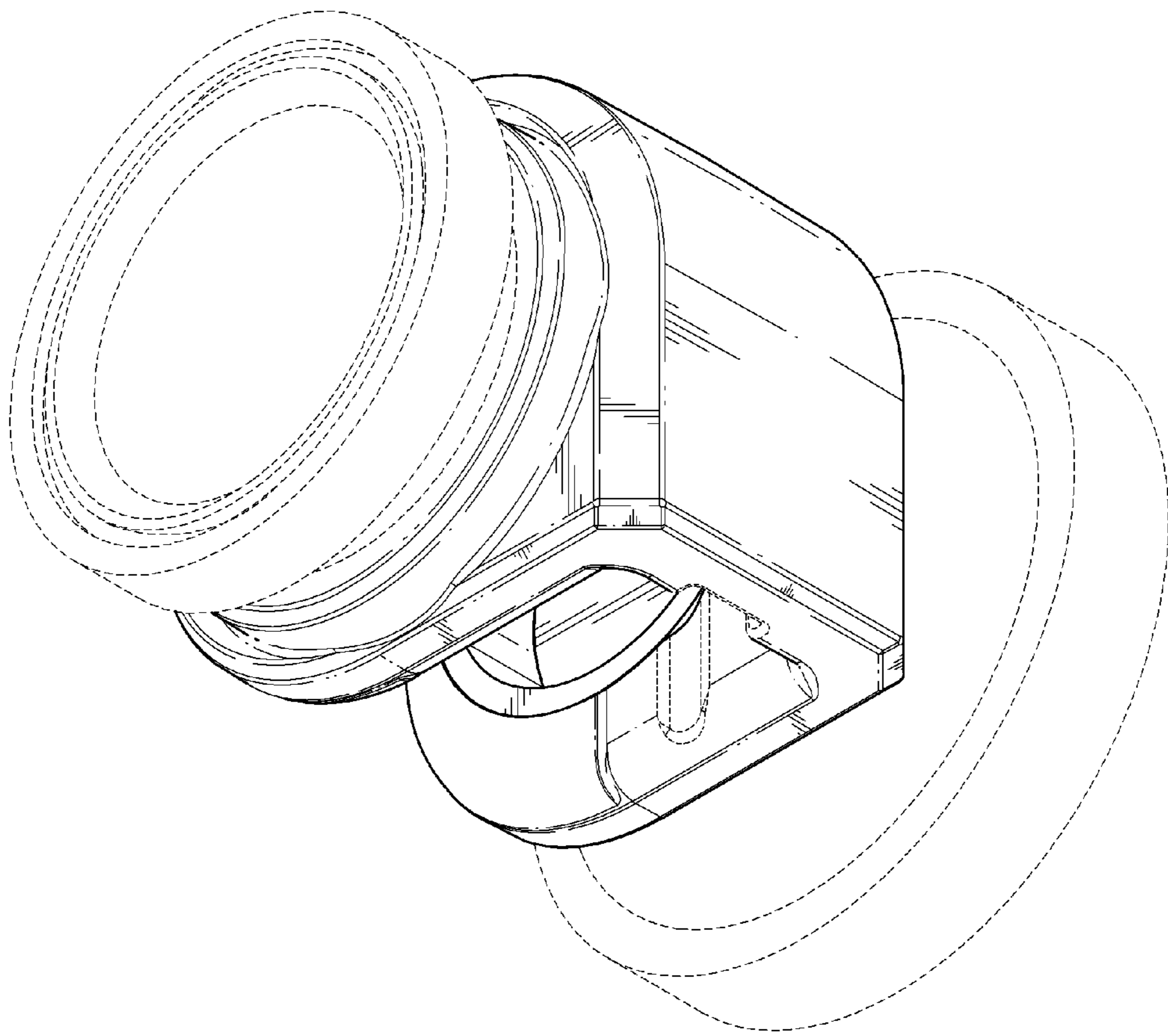


FIG. 2

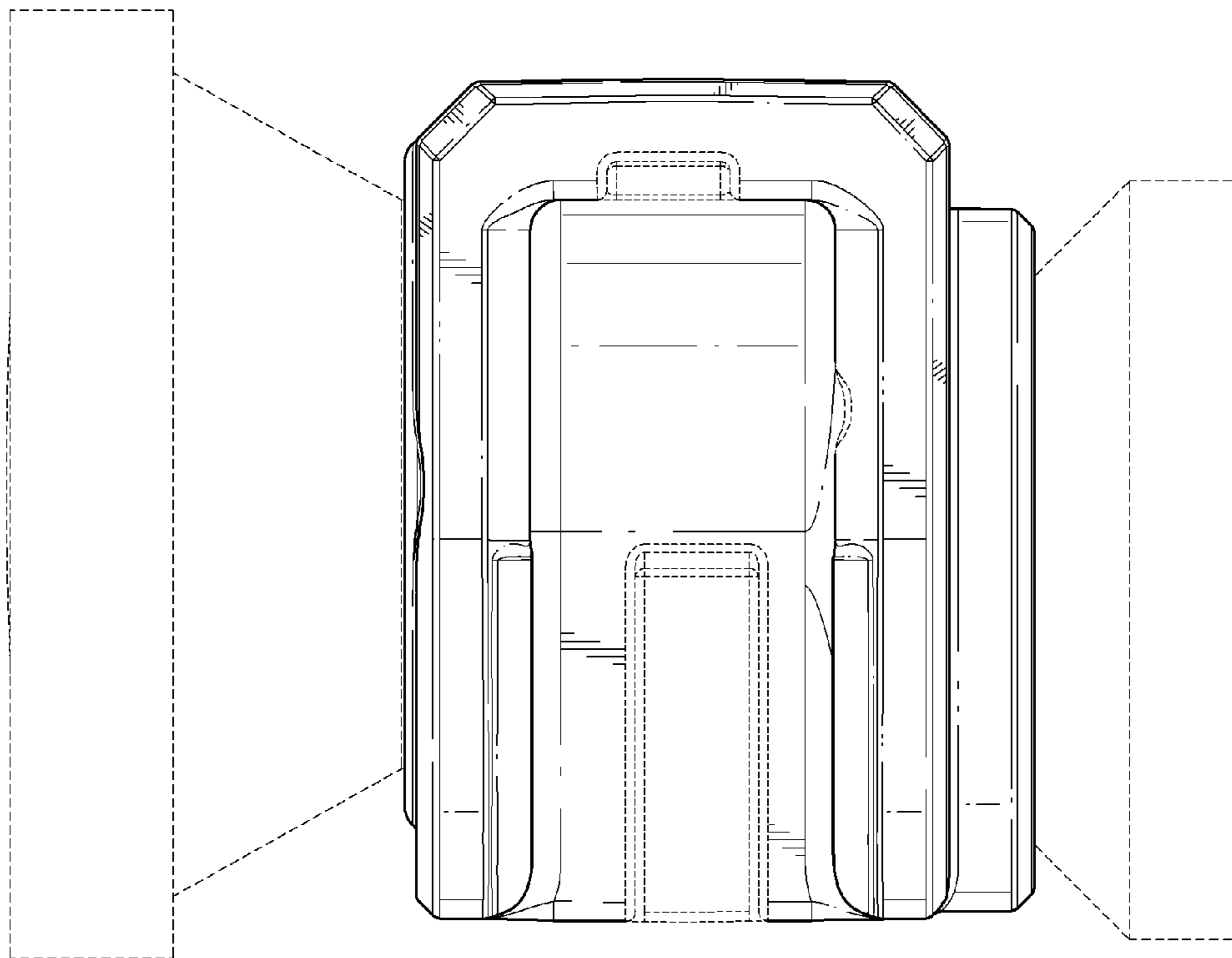


FIG. 3

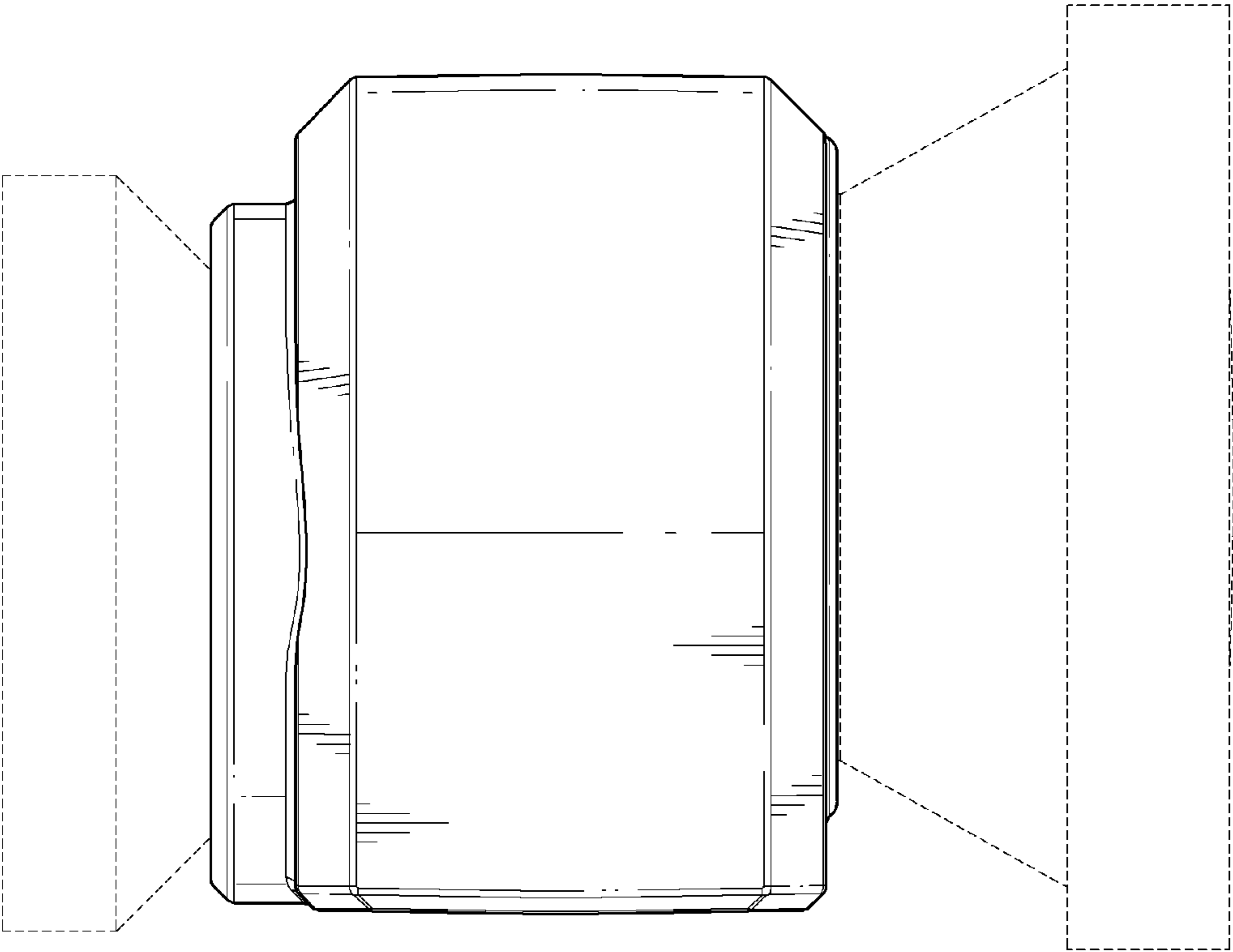


FIG. 4

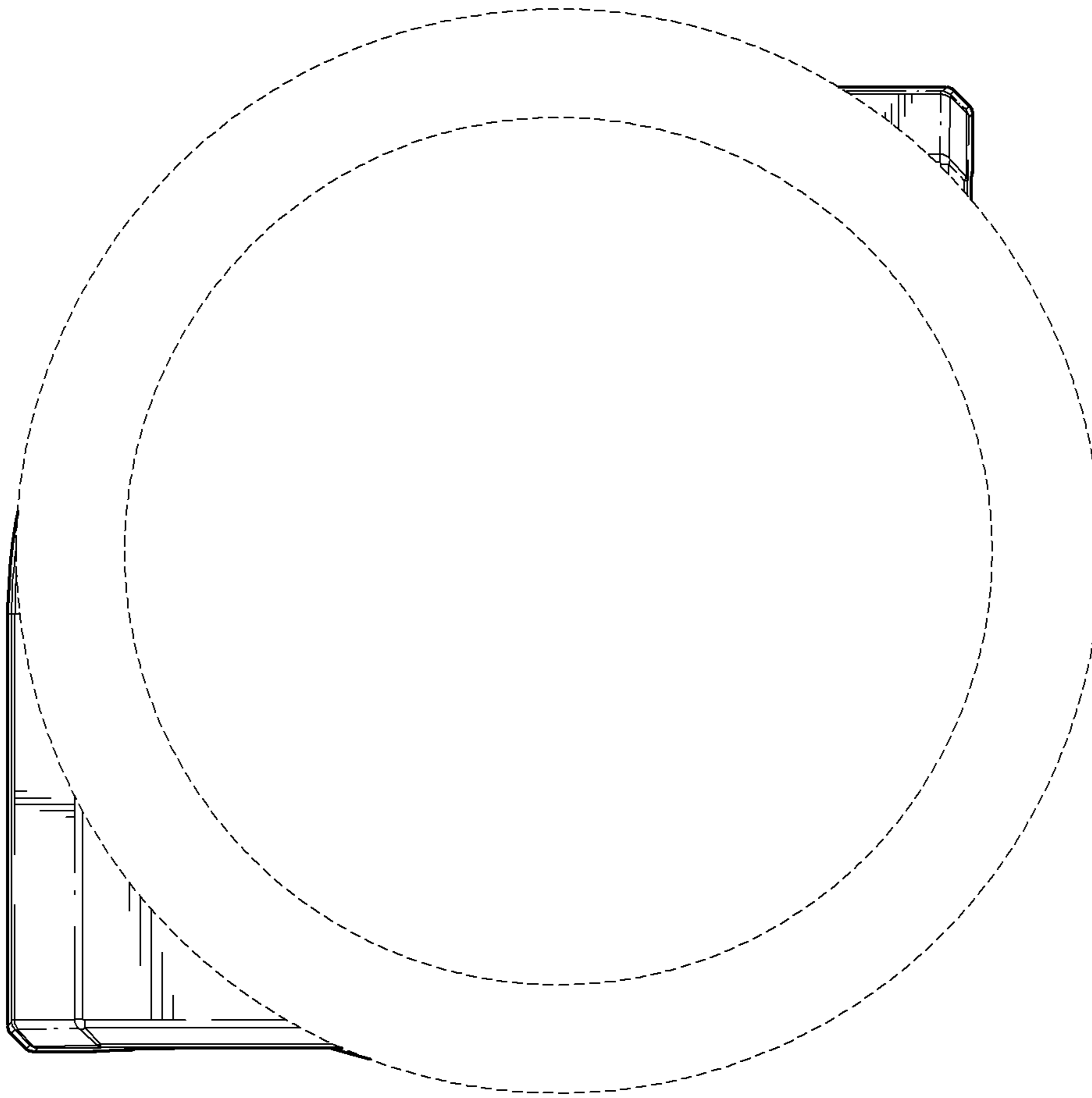


FIG. 5

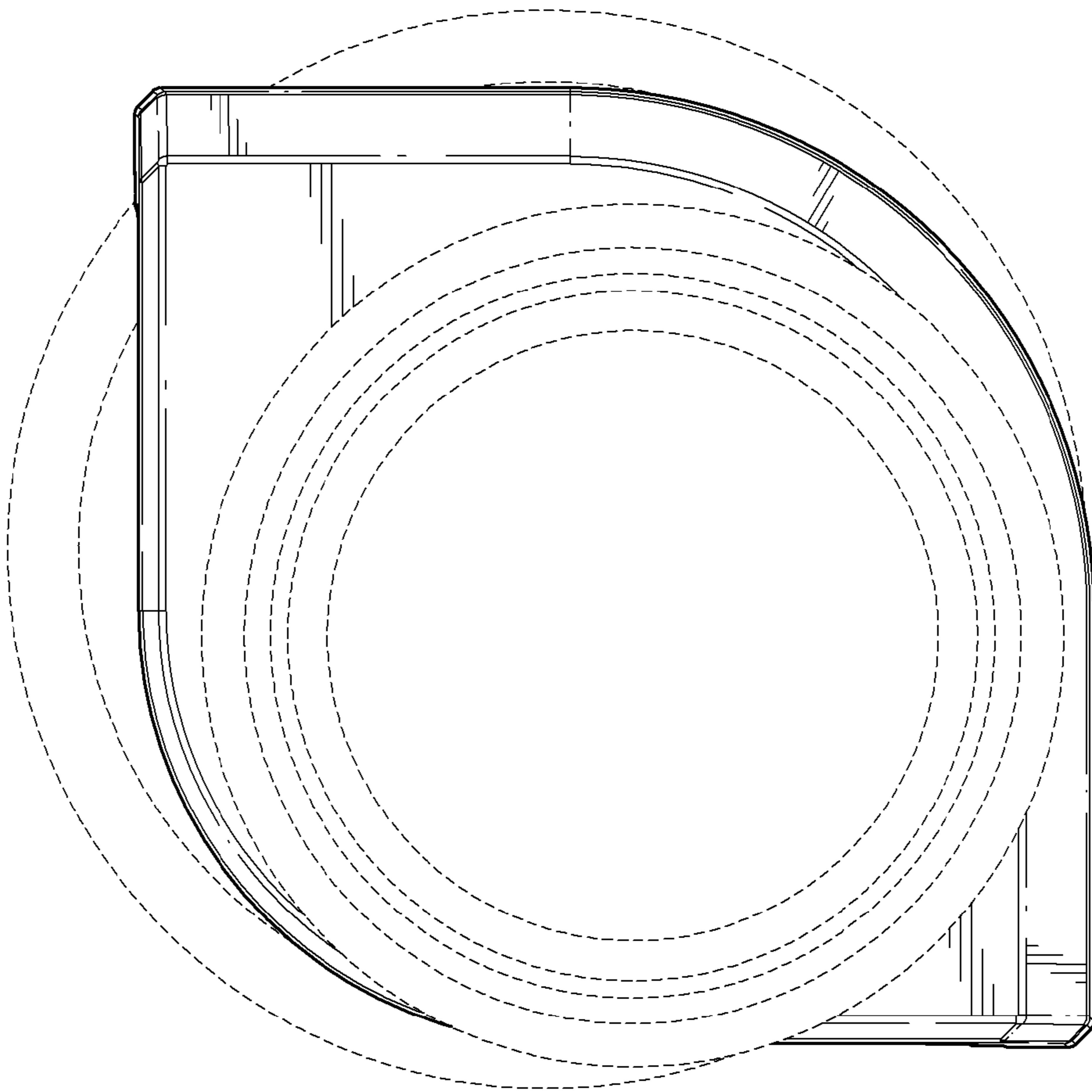


FIG. 6

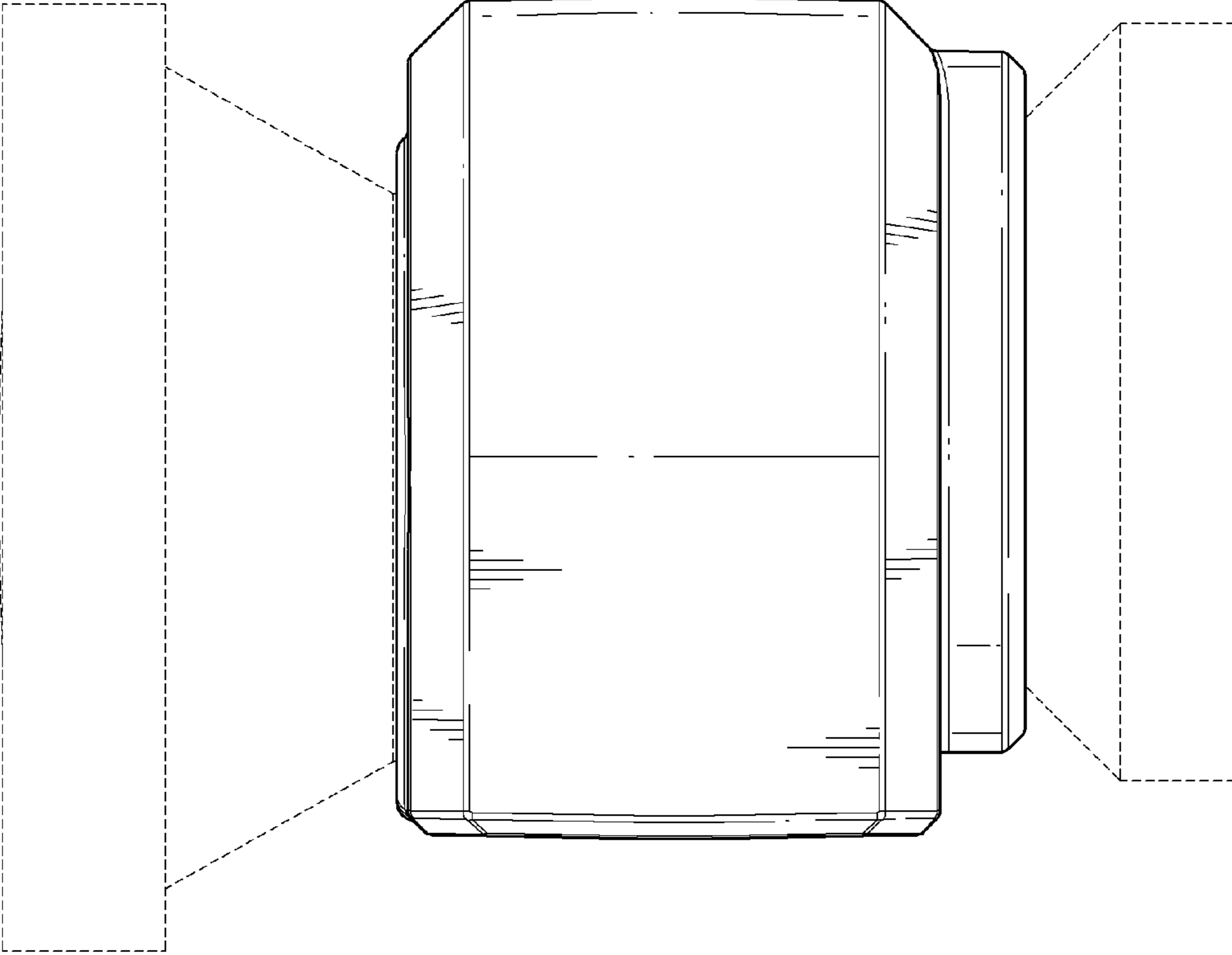


FIG. 7

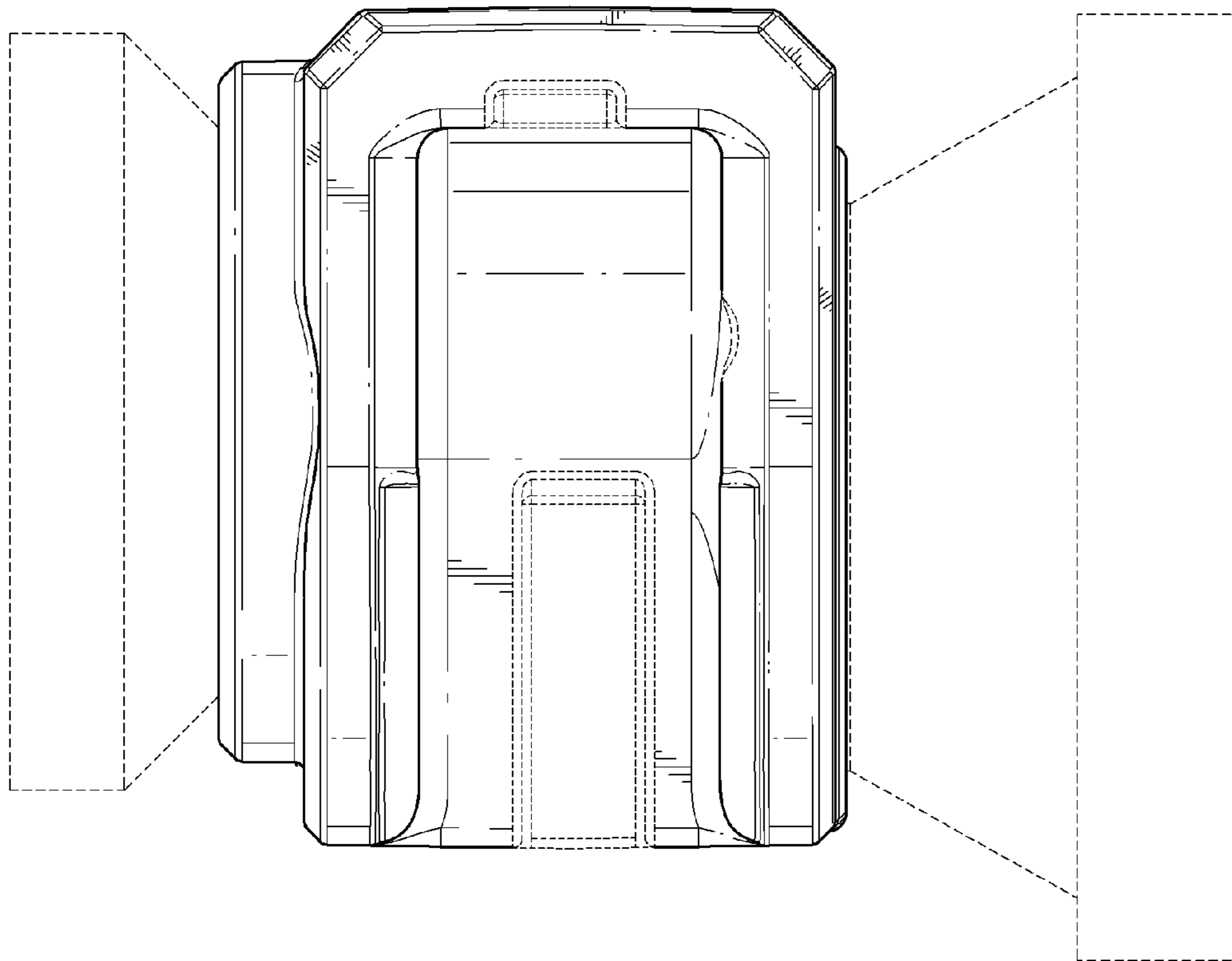


FIG. 8