



US00D723599S

(12) **United States Design Patent**
Demopoulos et al.

(10) **Patent No.:** **US D723,599 S**
(45) **Date of Patent:** **** Mar. 3, 2015**

(54) **MEASURING INSTRUMENT**

(71) Applicant: **inos Automationssoftware GmbH**,
Stuttgart (DE)
(72) Inventors: **Andreas Demopoulos**, Leighton
Buzzard (GB); **Thomas Lesch**, Stuttgart
(DE); **Charalambos Tassakos**,
Sonnenberg (DE); **Konstantinos**
Theiakos, Gaertringen (DE)

(73) Assignee: **Inos Automationssoftware GmbH**,
Stuttgart (DE)

(**) Term: **14 Years**

(21) Appl. No.: **29/469,831**

(22) Filed: **Oct. 15, 2013**

(30) **Foreign Application Priority Data**

Apr. 15, 2013 (EM) 002220434

(51) **LOC (10) Cl.** **15-99**

(52) **U.S. Cl.**
USPC **D15/199**

(58) **Field of Classification Search**
CPC B25J 17/00; B25J 9/047; B25J 13/084;
B25J 19/0075; B25J 9/008; B25J 9/0087;
B25J 9/1697; B25J 18/00; Y10S 901/25;
Y10S 901/09; Y10S 901/31; Y10S 901/47;
Y10S 901/01
USPC D15/122, 199; D24/176; 74/490.05;
294/213; 700/253; 901/9, 27, 41, 47

See application file for complete search history.

(56) **References Cited**

U.S. PATENT DOCUMENTS

D537,322	S	2/2007	Tassakos et al.	
D574,083	S	7/2008	Tassakos et al.	
2013/0018129	A1 *	1/2013	Perez Hinojosa	524/43
2013/0046408	A1 *	2/2013	Ishida et al.	700/248
2014/0102239	A1 *	4/2014	Umeno	74/490.01
2014/0121837	A1 *	5/2014	Hashiguchi et al.	700/261
2014/0125080	A1 *	5/2014	Dan et al.	294/213
2014/0207279	A1 *	7/2014	Miyauchi et al.	700/253

* cited by examiner

Primary Examiner — Antoine D Davis

(74) *Attorney, Agent, or Firm* — Howard & Howard
Attorneys PLLC

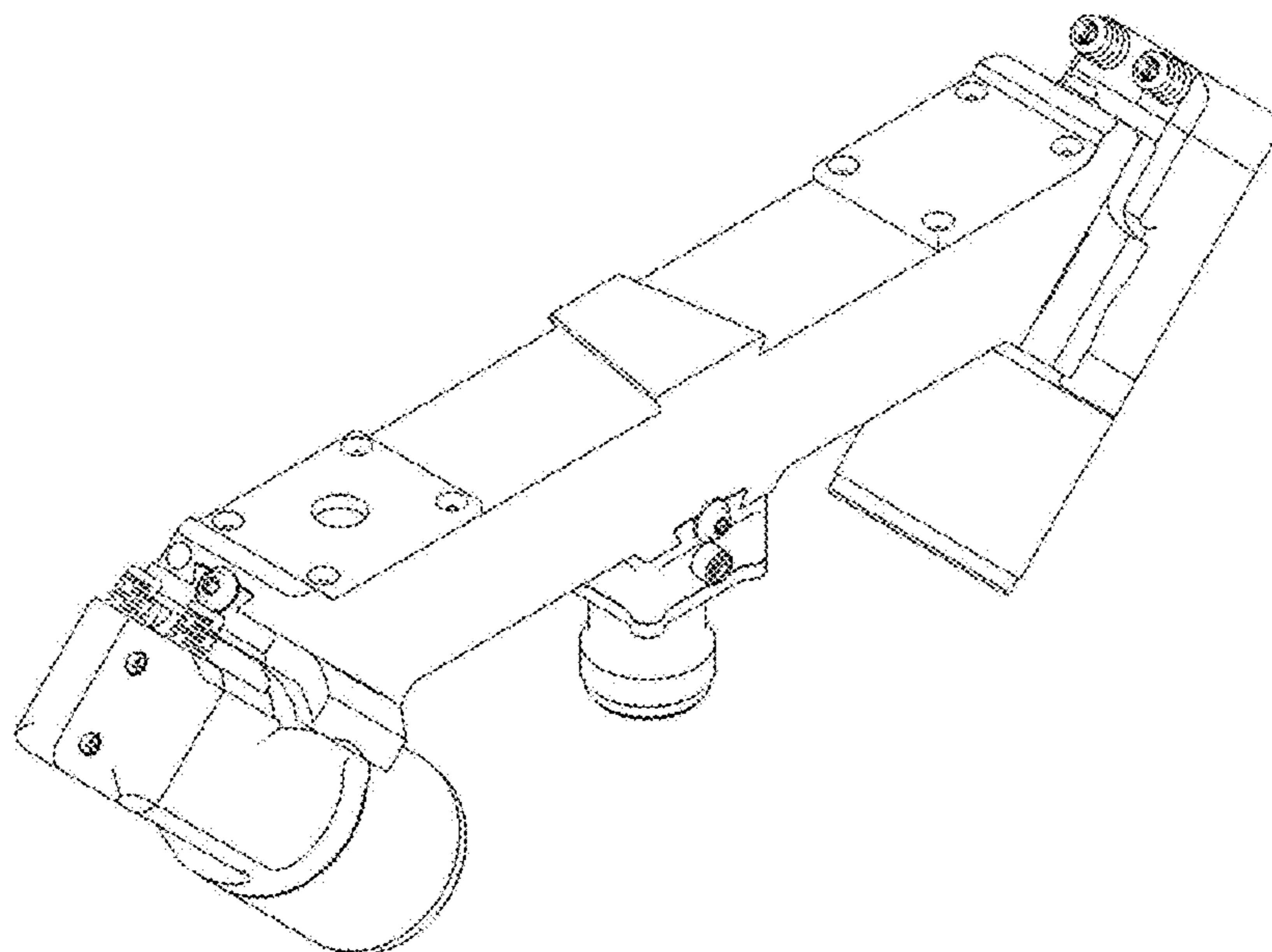
(57) **CLAIM**

The ornamental design for a measuring instrument, as shown
and described.

DESCRIPTION

FIG. 1 is a perspective view of a measuring instrument
embodying the inventive ornamental design;
FIG. 2 is a left side view of the measuring instrument of FIG.
1;
FIG. 3 is a right side view of the measuring instrument of FIG.
1;
FIG. 4 is a top view of the measuring instrument of FIG. 1;
FIG. 5 is a bottom view of the measuring instrument of FIG.
1;
FIG. 6 is a rear view of the measuring instrument of FIG. 1;
and,
FIG. 7 is a front view of the measuring instrument of FIG. 1.

1 Claim, 7 Drawing Sheets



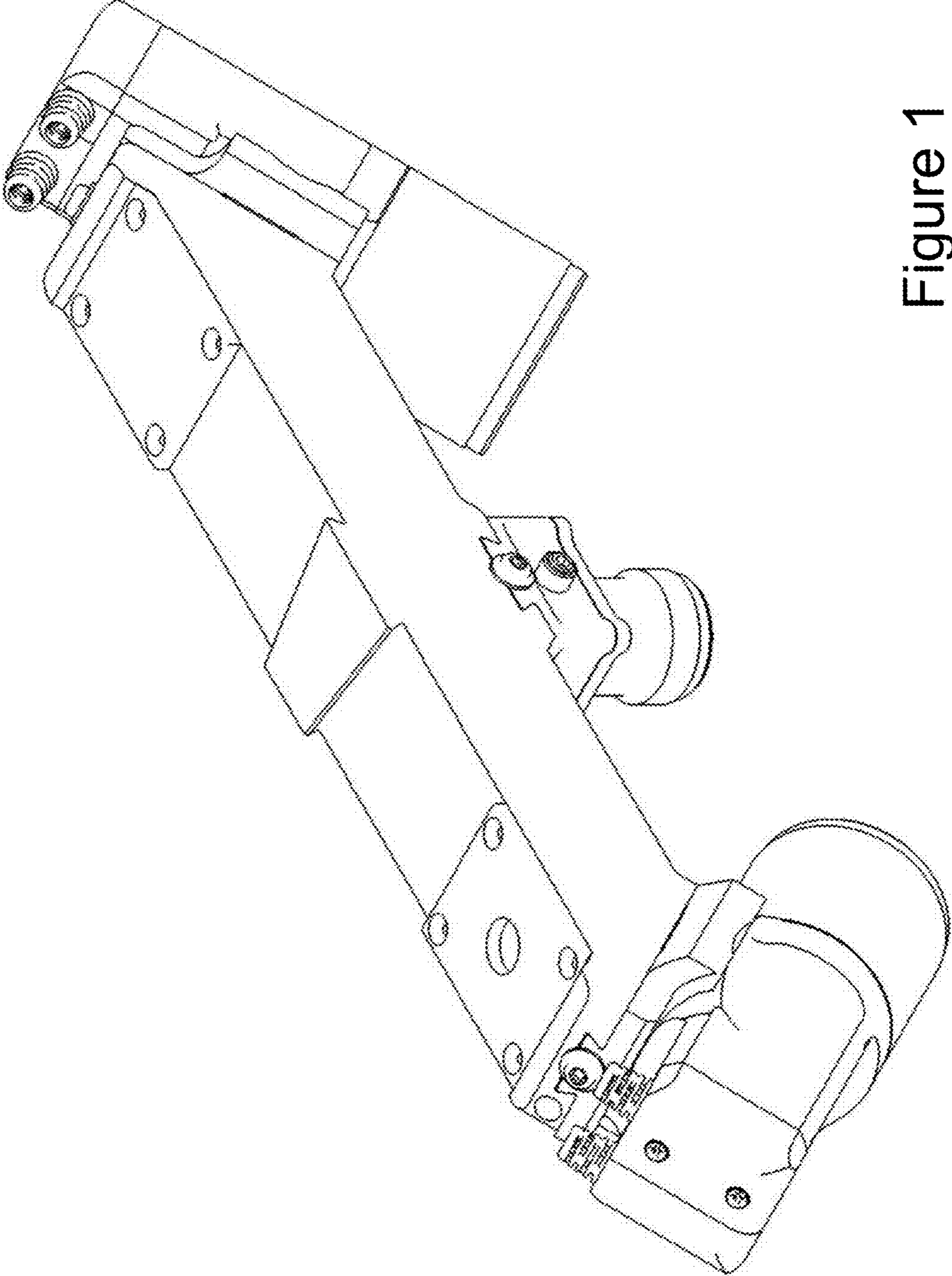


Figure 1

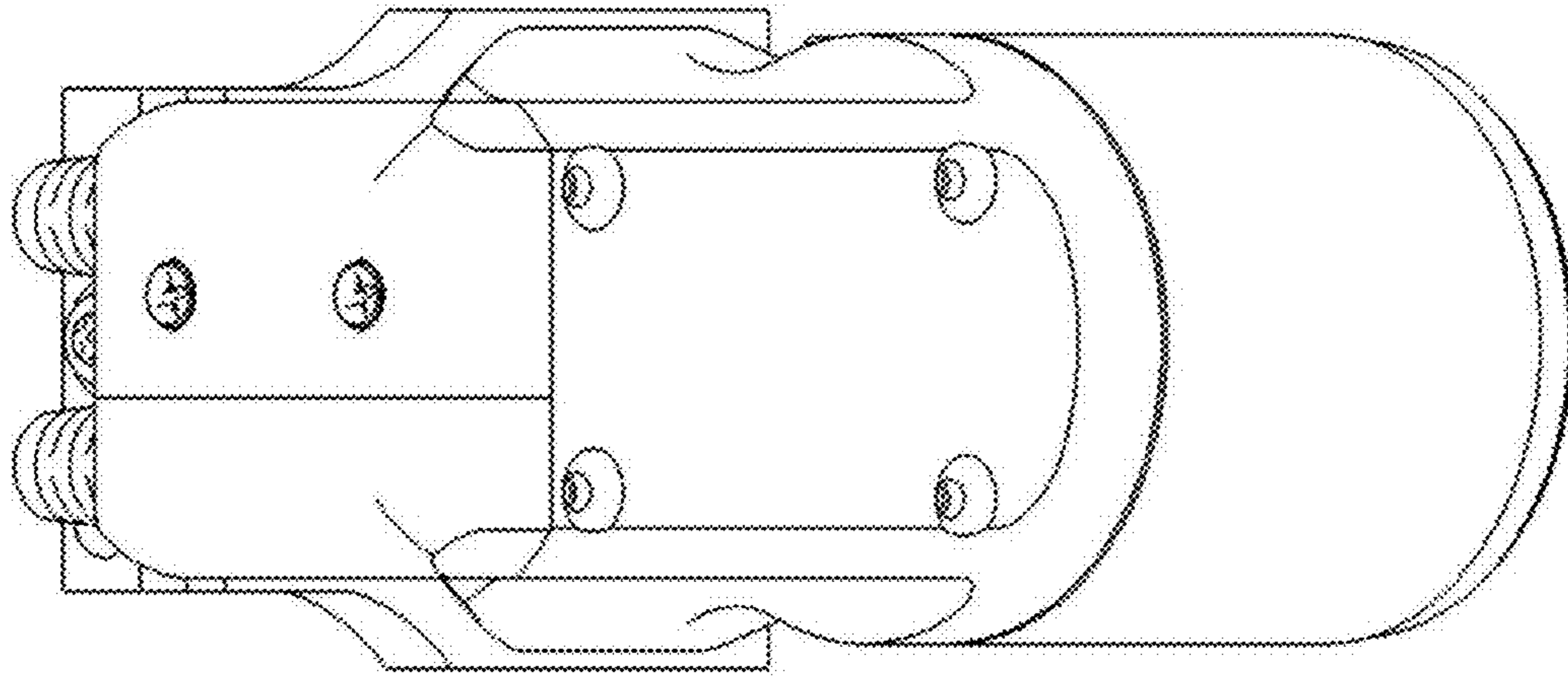


Figure 2

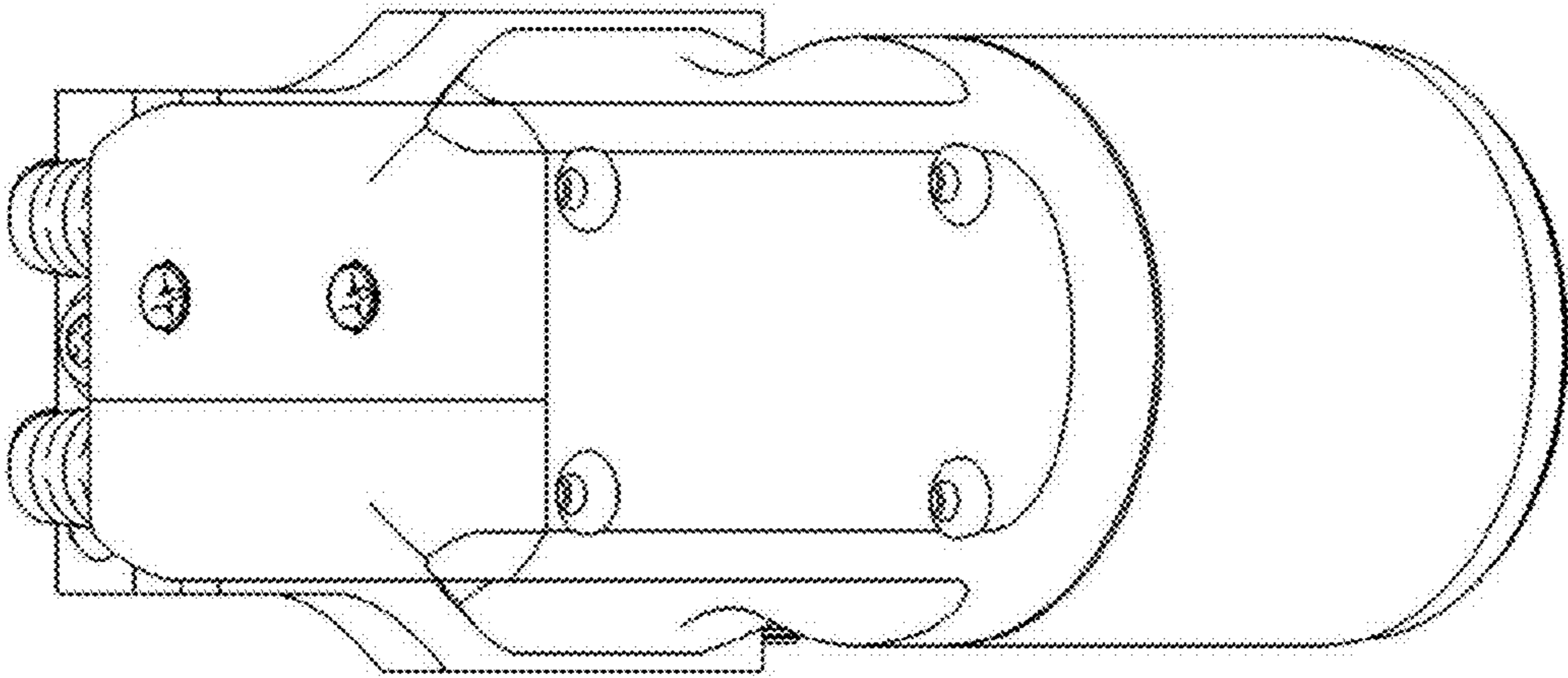


Figure 3

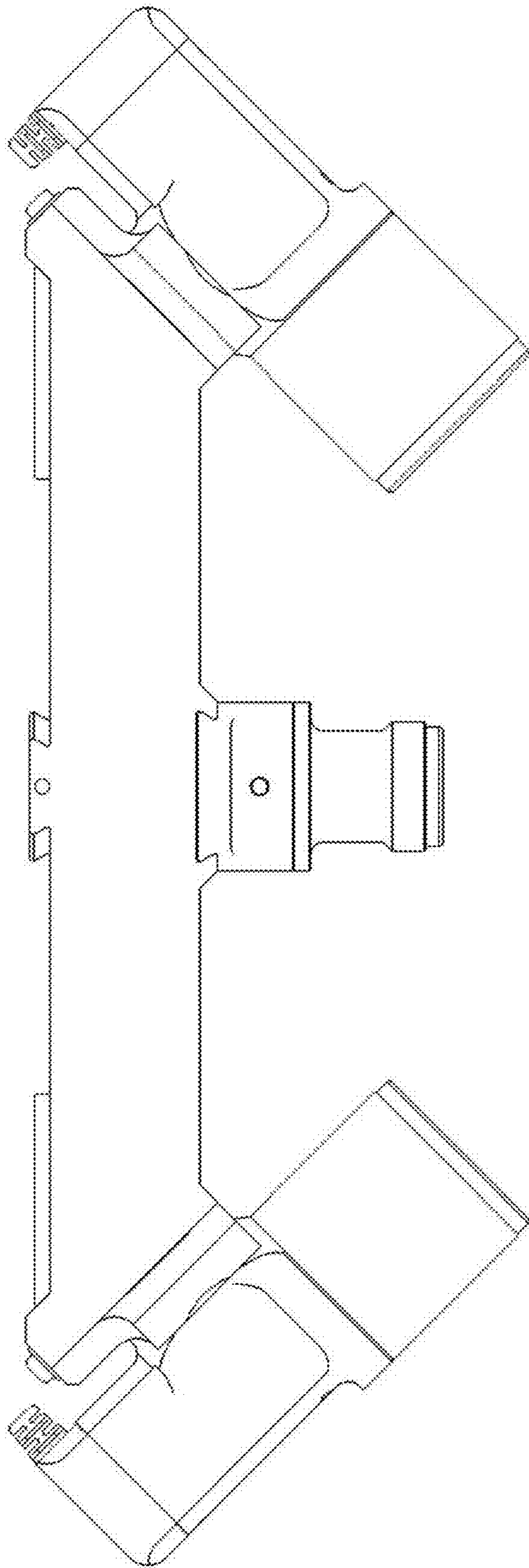


Figure 4

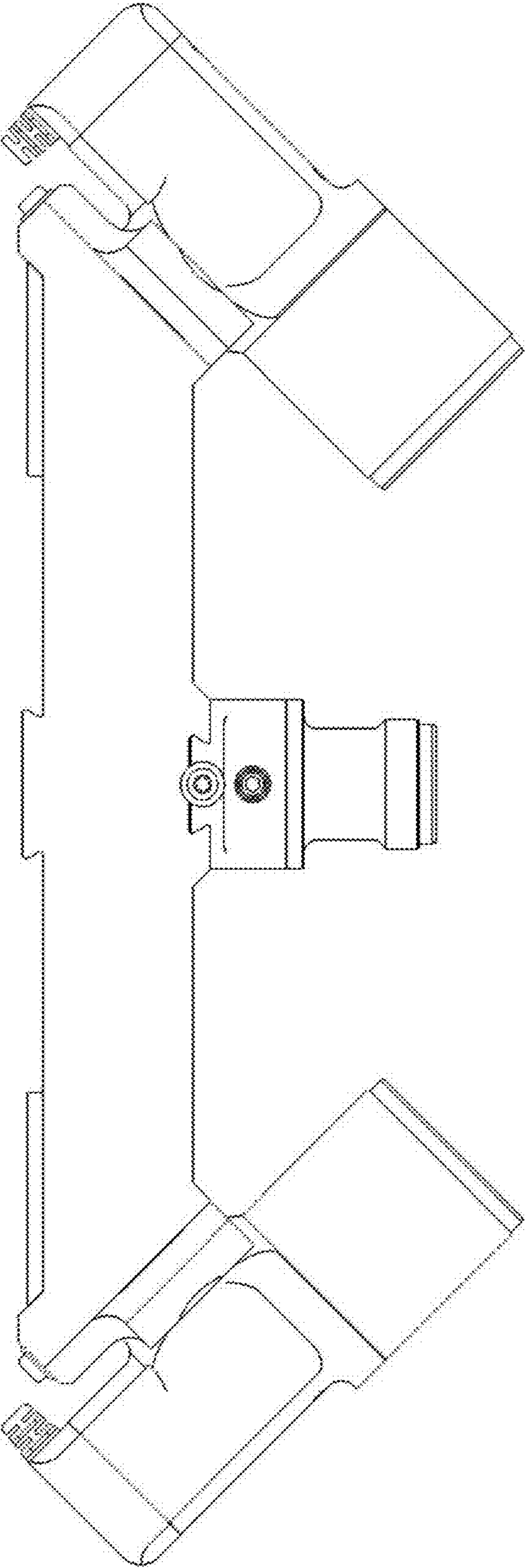


Figure 5

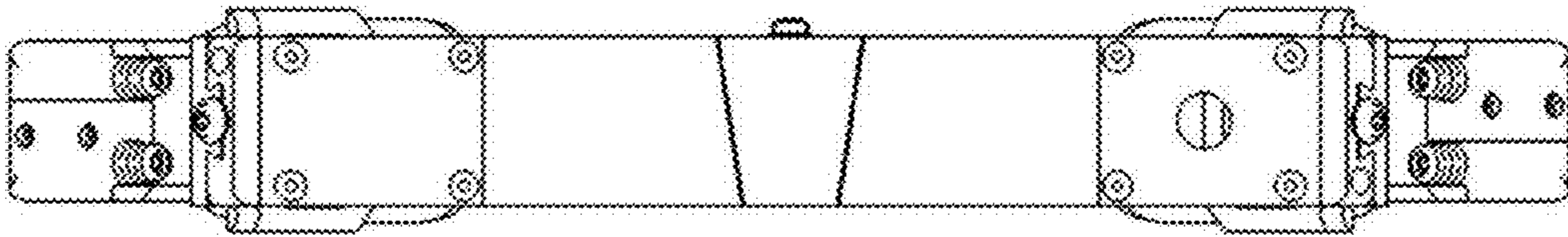


Figure 6

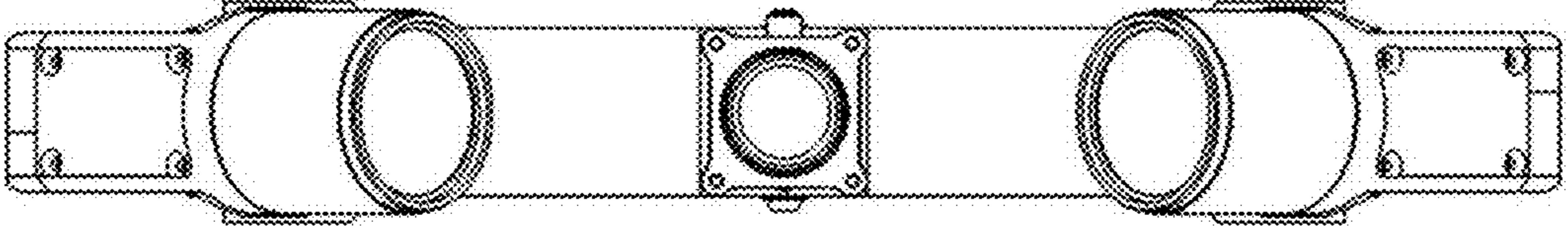


Figure 7

UNITED STATES PATENT AND TRADEMARK OFFICE
CERTIFICATE OF CORRECTION

PATENT NO. : D723,599 S
APPLICATION NO. : 29/469831
DATED : March 3, 2015
INVENTOR(S) : Andreas Demopoulos et al.

Page 1 of 1

It is certified that error appears in the above-identified patent and that said Letters Patent is hereby corrected as shown below:

On the Title Page

Item (73) Assignee: delete "Inos Automationssoftware GmbH" and insert therefor
--inos Automationssoftware GmbH--.

Signed and Sealed this
Fourth Day of July, 2017



Joseph Matal
*Performing the Functions and Duties of the
Under Secretary of Commerce for Intellectual Property and
Director of the United States Patent and Trademark Office*