



US00D723595S

(12) **United States Design Patent**
You et al.

(10) **Patent No.:** **US D723,595 S**
(45) **Date of Patent:** **** Mar. 3, 2015**

(54) **REFRIGERATOR DOOR**

(71) Applicant: **LG Electronics Inc.**, Seoul (KR)
(72) Inventors: **Myungdong You**, Incheon (KR);
Hyunki Kim, Seoul (KR); **Junyi Heo**,
Jeollabuk-do (KR)

(73) Assignee: **LG Electronics Inc.**, Seoul (KR)

(**) Term: **14 Years**

(21) Appl. No.: **29/473,753**

(22) Filed: **Nov. 26, 2013**

(30) **Foreign Application Priority Data**

May 28, 2013 (KR) 30-2013-0027712

(51) **LOC (10) Cl.** **15-07**

(52) **U.S. Cl.**
USPC **D15/91**

(58) **Field of Classification Search**
USPC D15/79-91; 62/246-255, 400, 457,
62/373, 3.1, 3.6; 312/236, 116, 119,
312/138.1, 139.2, 400-408

See application file for complete search history.

(56) **References Cited**

U.S. PATENT DOCUMENTS

D325,918 S *	5/1992	Lloyd	D15/81
D484,152 S *	12/2003	Becke	D15/91
D572,732 S *	7/2008	Baacke et al.	D15/91
D607,022 S *	12/2009	Baacke et al.	D15/91
D620,507 S *	7/2010	Baacke et al.	D15/91

* cited by examiner

Primary Examiner — Stella Reid
Assistant Examiner — Khawaja Anwar
(74) *Attorney, Agent, or Firm* — Morgan, Lewis & Bockius
LLP

(57) **CLAIM**
The ornamental design for a refrigerator door, as shown and described.

DESCRIPTION

FIG. 1 is a perspective view of a refrigerator door showing our new design;
FIG. 2 is a front view thereof;
FIG. 3 is a rear view thereof;
FIG. 4 is a left side view thereof;
FIG. 5 is a right side view thereof;
FIG. 6 is a top plan view thereof;
FIG. 7 is a bottom plan view thereof; and,
FIG. 8 is a perspective view thereof, shown with inside door in closed position.
The broken lines in the drawings show unclaimed subject matter only and form no part of the claimed design.

1 Claim, 8 Drawing Sheets

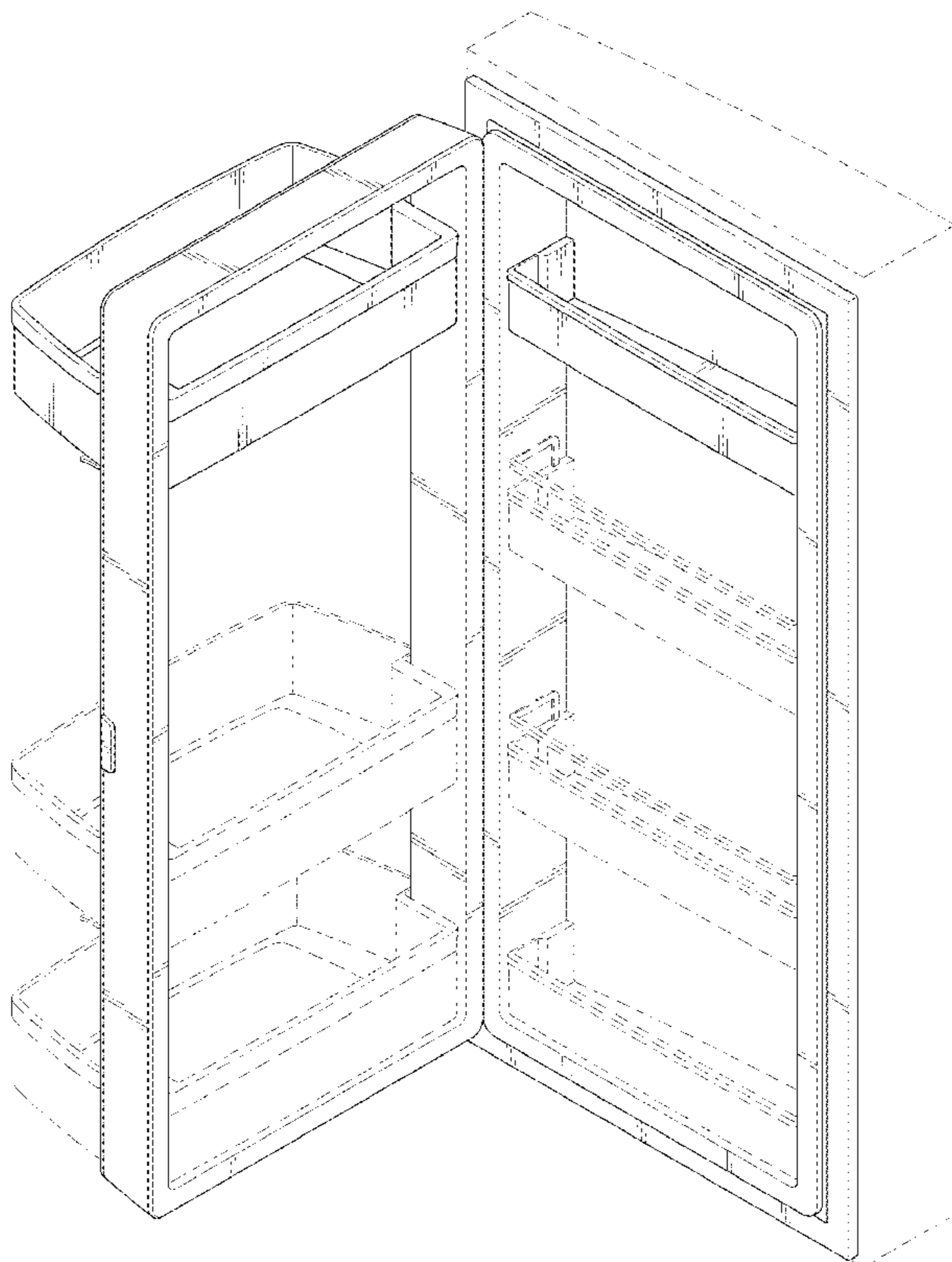


FIG. 1

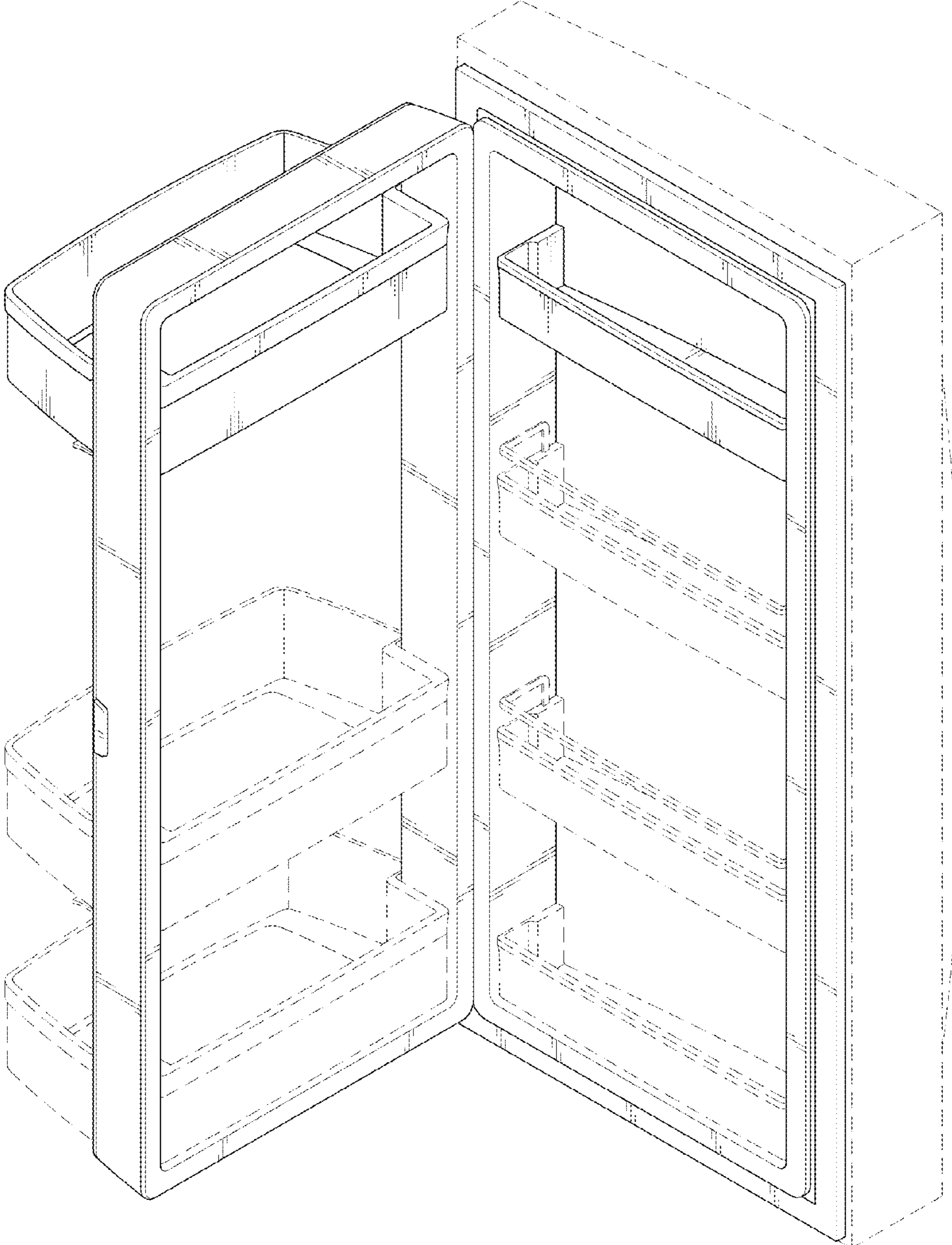


FIG. 2

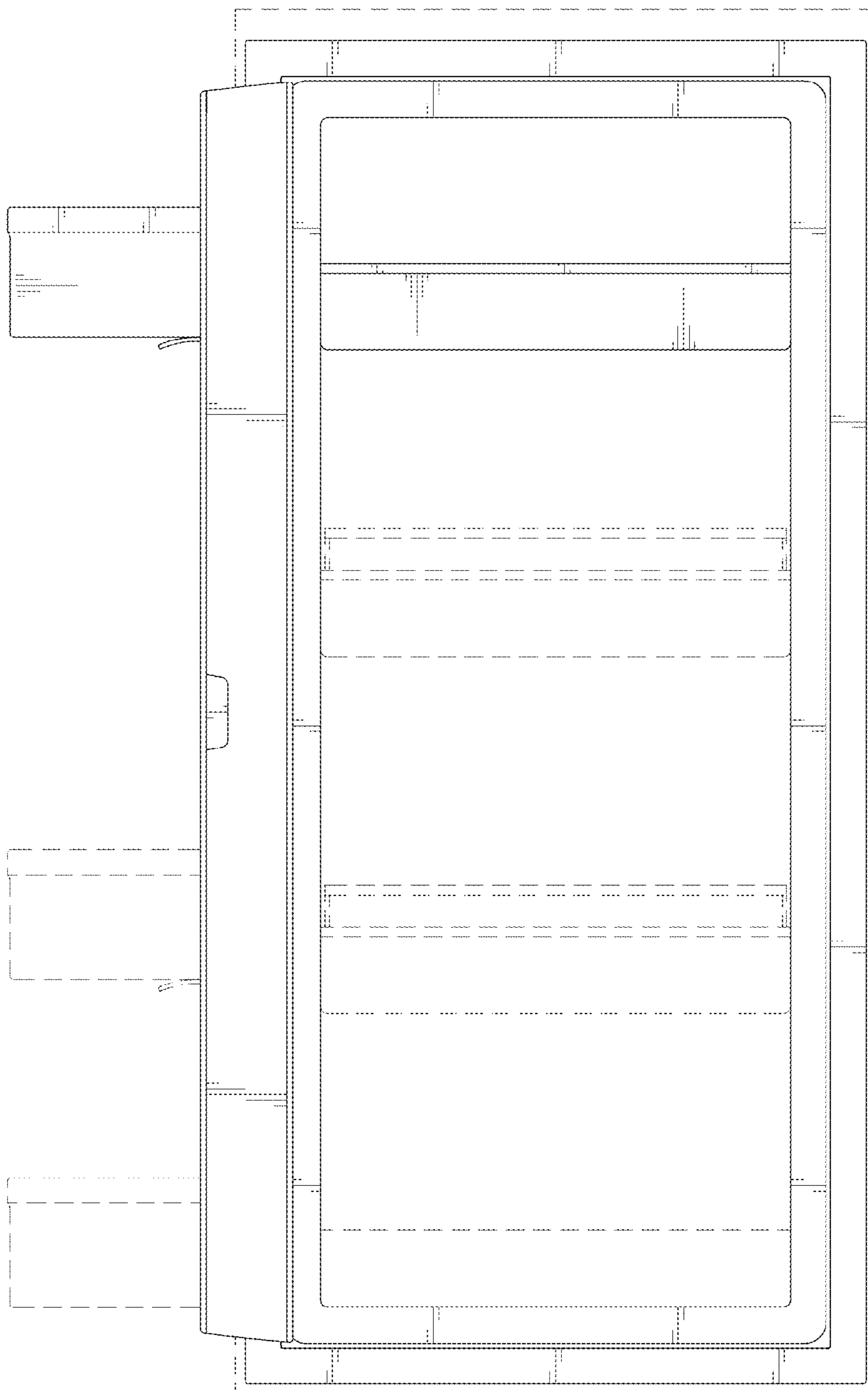


FIG. 3

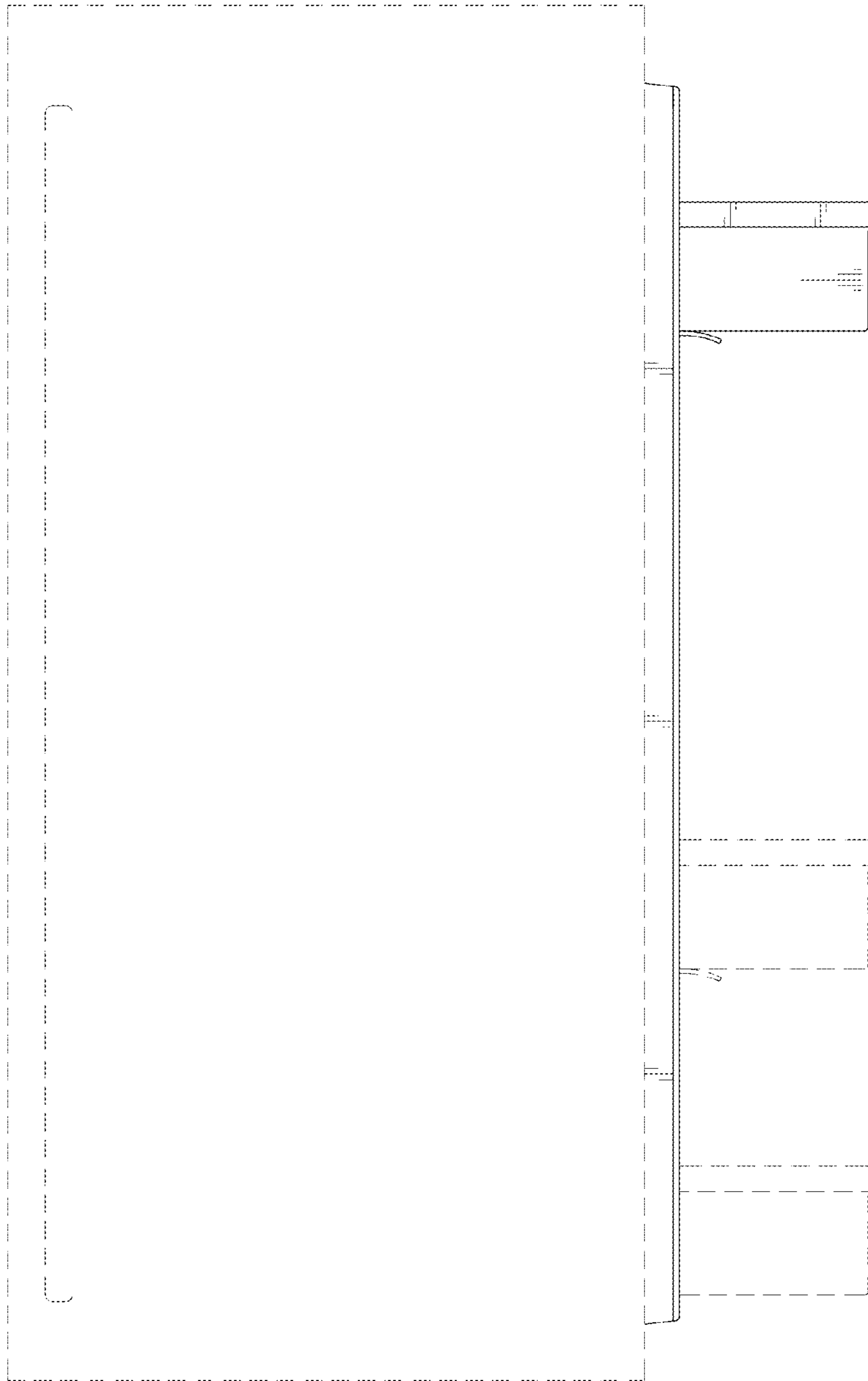


FIG. 4

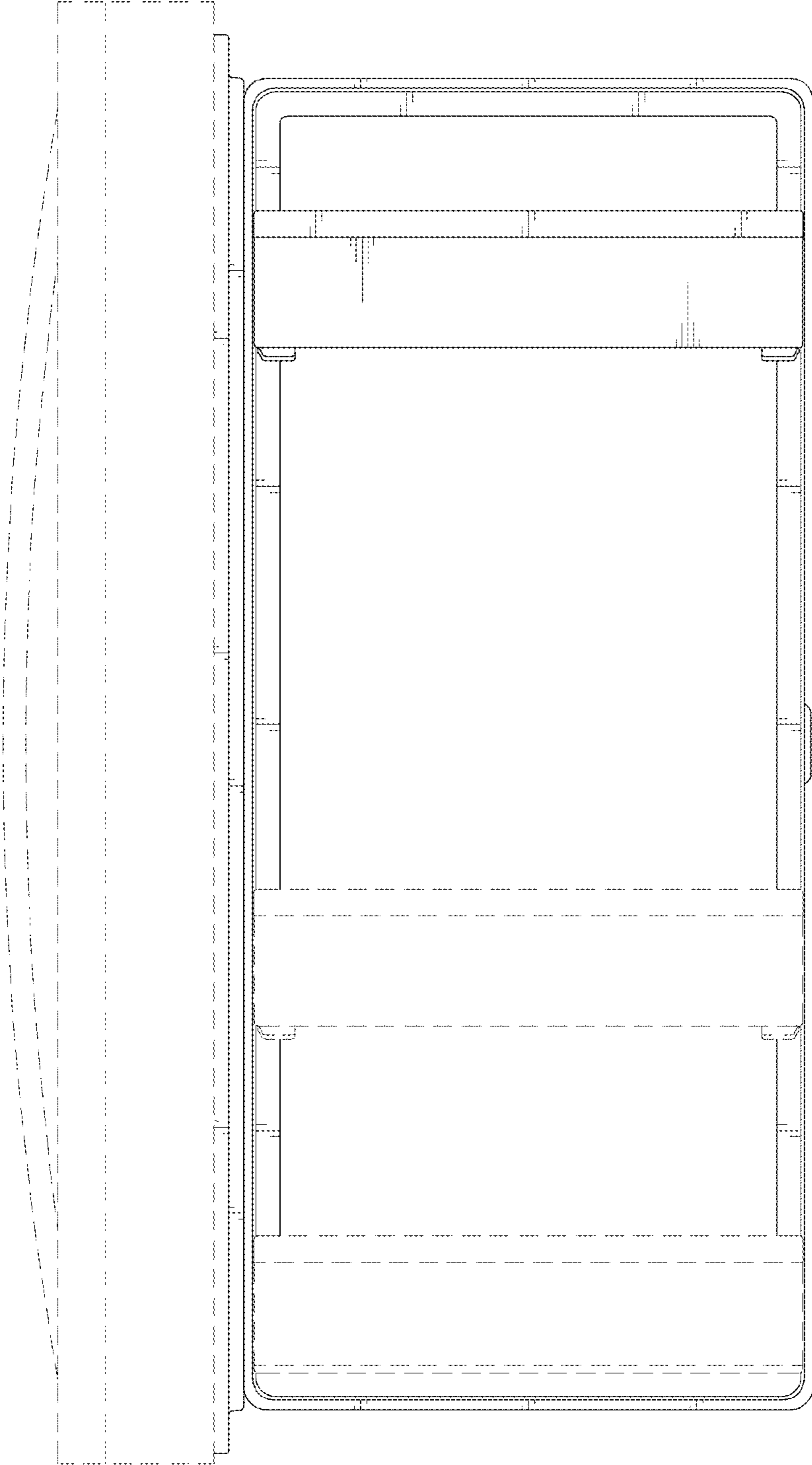


FIG. 5

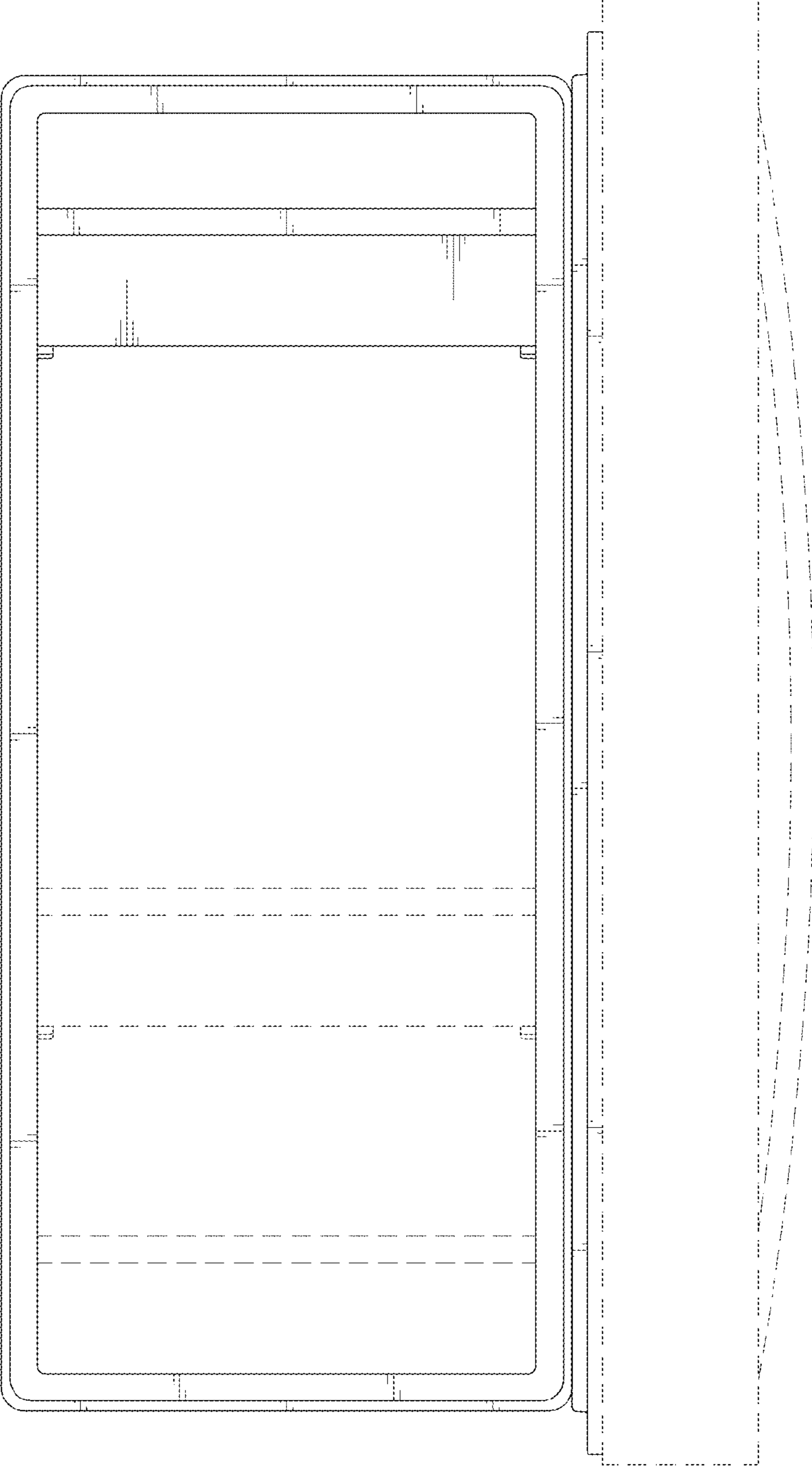


FIG. 6

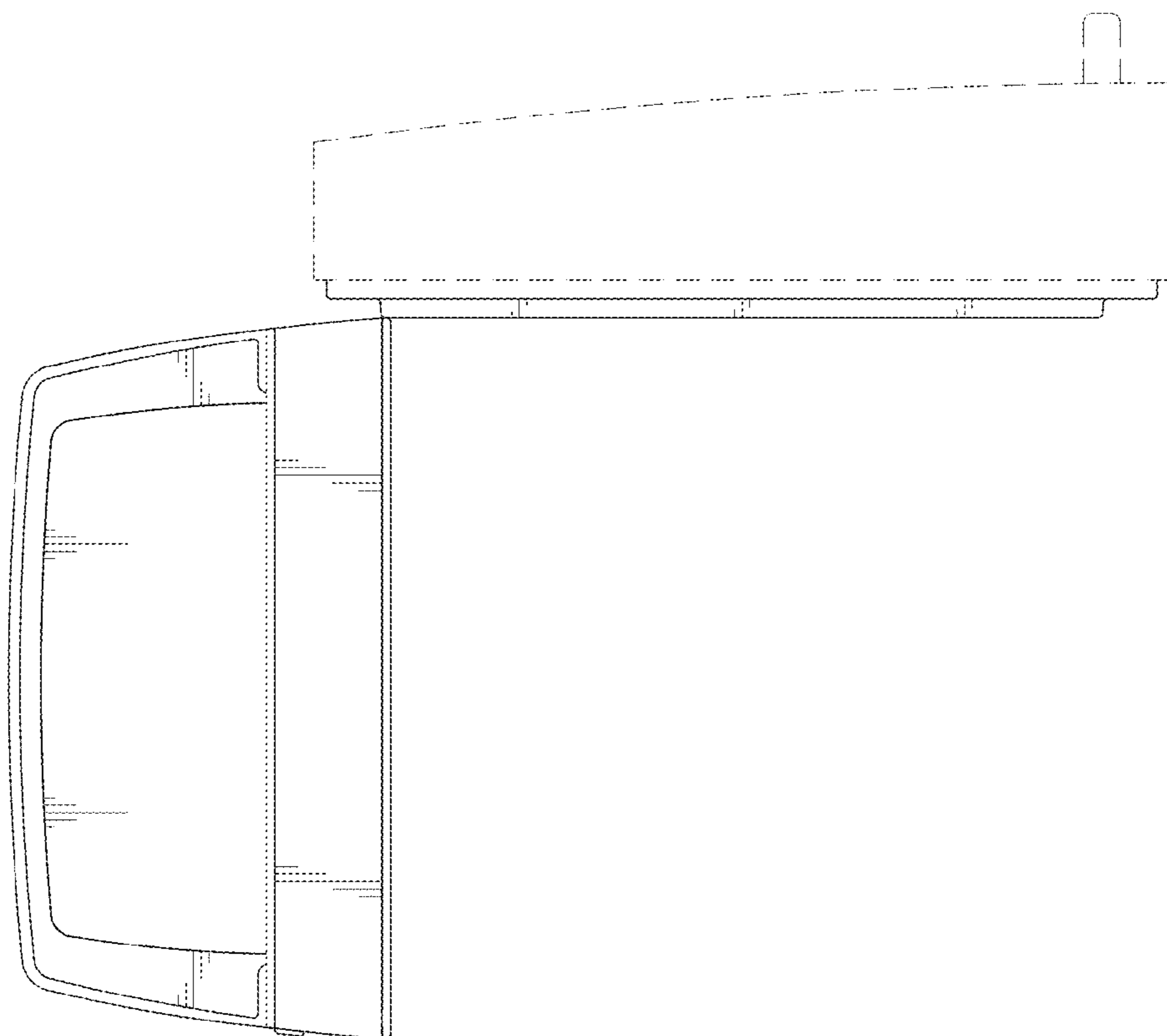


FIG. 7

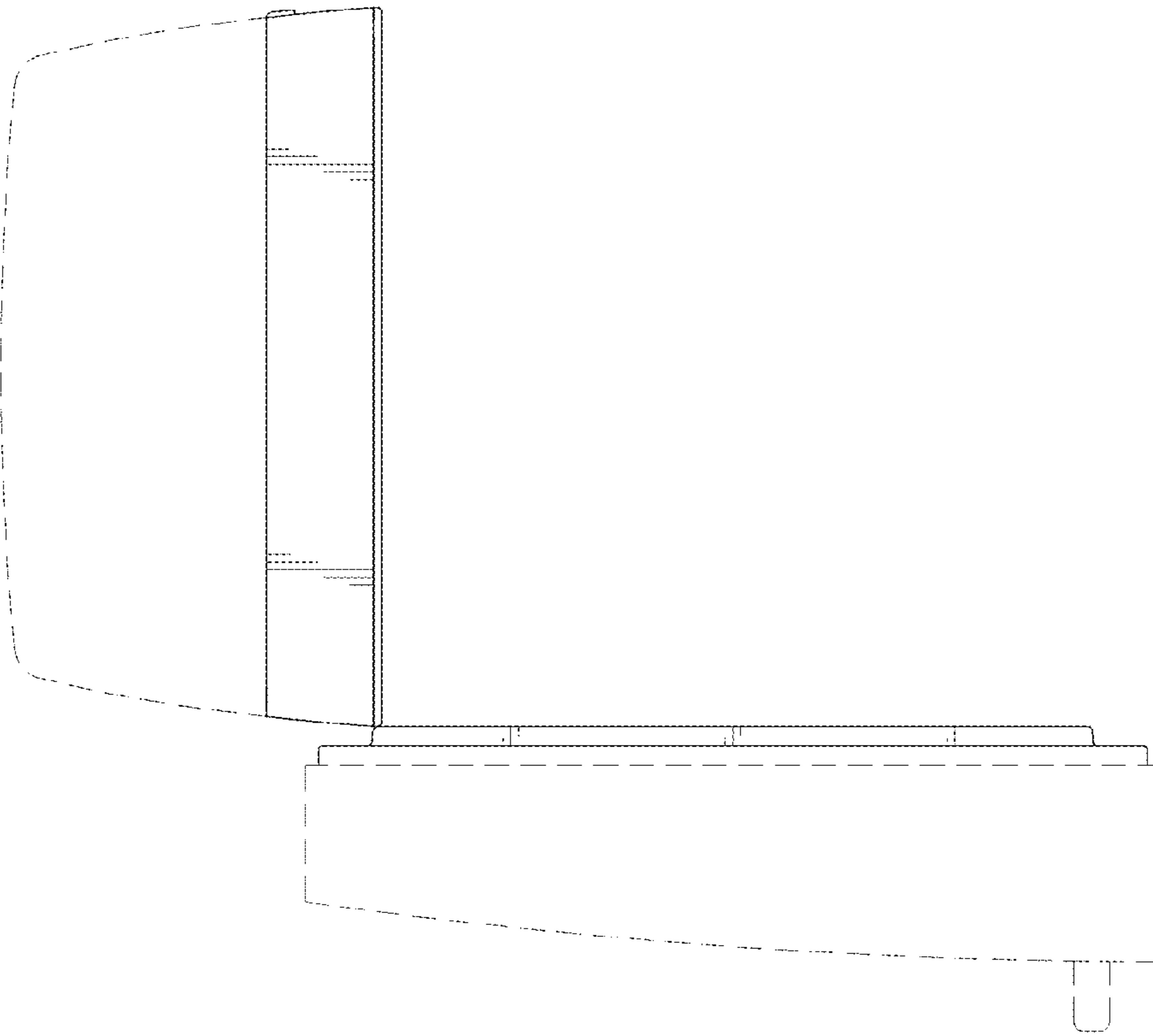


FIG. 8

