



US00D723594S

(12) **United States Design Patent**  
**Kim et al.**

(10) **Patent No.:** **US D723,594 S**  
(45) **Date of Patent:** **\*\* Mar. 3, 2015**

(54) **REFRIGERATOR**

(71) Applicant: **Samsung Electronics Co., Ltd.**,  
Suwon-Si (KR)  
(72) Inventors: **Hyun soo Kim**, Sungnam-si (KR);  
**Jang-Won Kim**, Seoul (KR); **Young**  
**min Park**, Seoul (KR); **Jong Hyub Lee**,  
Seoul (KR); **Min hyouk Boo**, Seoul  
(KR)

(73) Assignee: **Samsung Electronics Co., Ltd.**,  
Gyeonggi-do (KR)

(\*\*) Term: **14 Years**

(21) Appl. No.: **29/464,194**

(22) Filed: **Aug. 14, 2013**

(30) **Foreign Application Priority Data**

Feb. 15, 2013 (KR) ..... 30-2013-0008080

(51) **LOC (10) Cl.** ..... **15-07**

(52) **U.S. Cl.**  
USPC ..... **D15/91**

(58) **Field of Classification Search**  
USPC ..... D15/79-91; 62/440-449, 3.1, 3.6, 3.64,  
62/246-255, 337, 408, 256, 265;  
312/138.1, 139.2, 236, 400-408, 352,  
312/116

See application file for complete search history.

(56) **References Cited**

U.S. PATENT DOCUMENTS

D410,473 S *	6/1999	Higuchi et al. ....	D15/86
D491,204 S *	6/2004	Sagawa et al. ....	D15/86
D671,966 S *	12/2012	Jidam et al. ....	D15/86
D681,694 S *	5/2013	Meda et al. ....	D15/85
D684,198 S *	6/2013	Jeon .....	D15/86
D684,199 S *	6/2013	Jeon .....	D15/86
D696,305 S *	12/2013	Kim .....	D15/86
D699,767 S *	2/2014	Yoon-jung et al. ....	D15/85

\* cited by examiner

*Primary Examiner* — Thomas Johannes

*Assistant Examiner* — Khawaja Anwar

(74) *Attorney, Agent, or Firm* — Harness, Dickey & Pierce

(57) **CLAIM**

The ornamental design for a refrigerator, as shown and described.

**DESCRIPTION**

FIG. 1 is the front perspective view of a refrigerator showing our new design;

FIG. 2 is a front view thereof;

FIG. 3 is a rear view thereof;

FIG. 4 is a left-side view thereof;

FIG. 5 is a right-side view thereof;

FIG. 6 is a top plan view thereof;

FIG. 7 is a bottom plan view thereof; and,

FIG. 8 is a partially enlarged view of FIG. 1.

The broken lines in the drawings show unclaimed subject matter only and form no part of the claimed design.

The dot-dot-dash style broken lines in FIG. 1 and FIG. 8 illustrate the origin of the isolated detail views which are partially enlarged in FIG. 8.

**1 Claim, 8 Drawing Sheets**

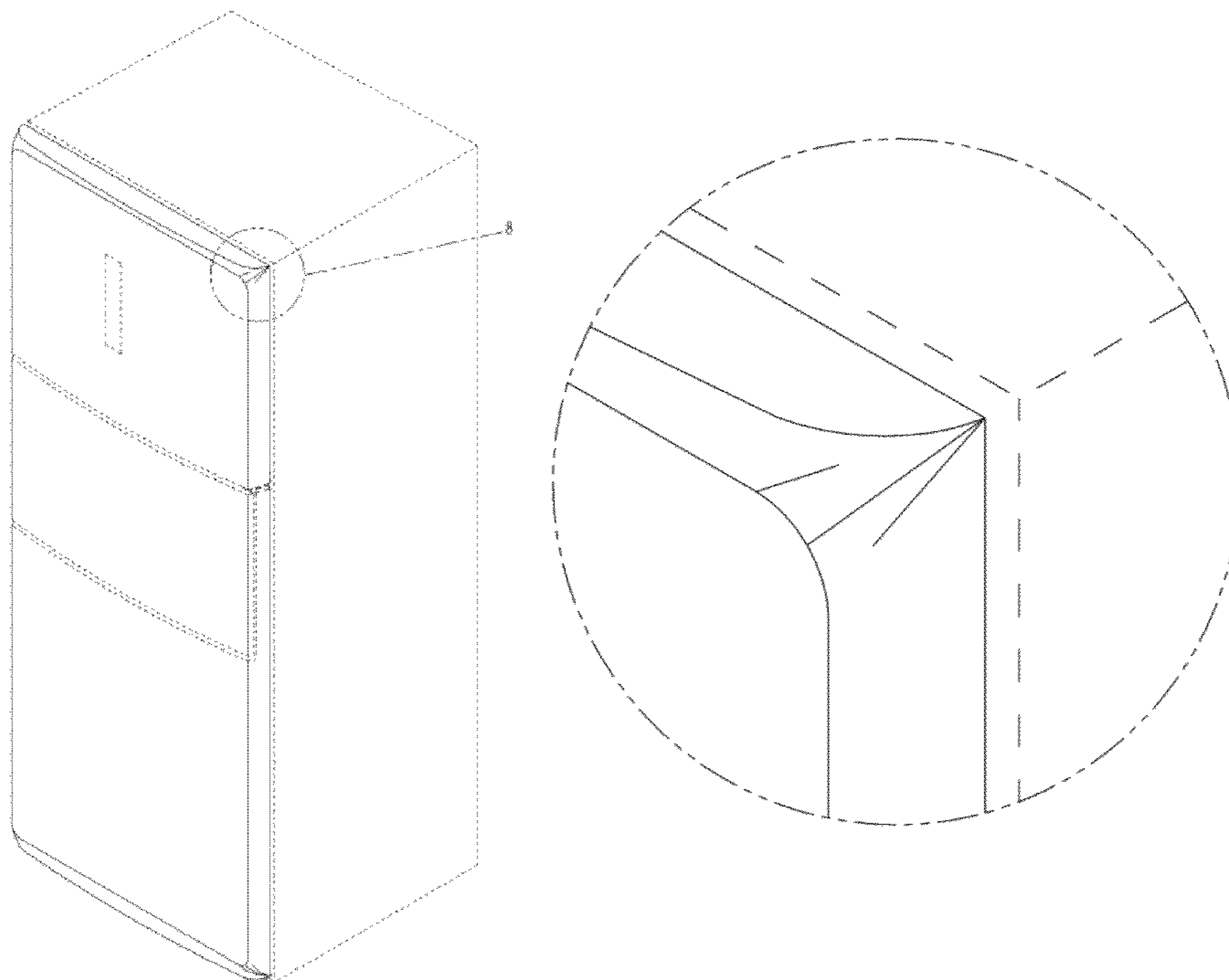


Fig. 1

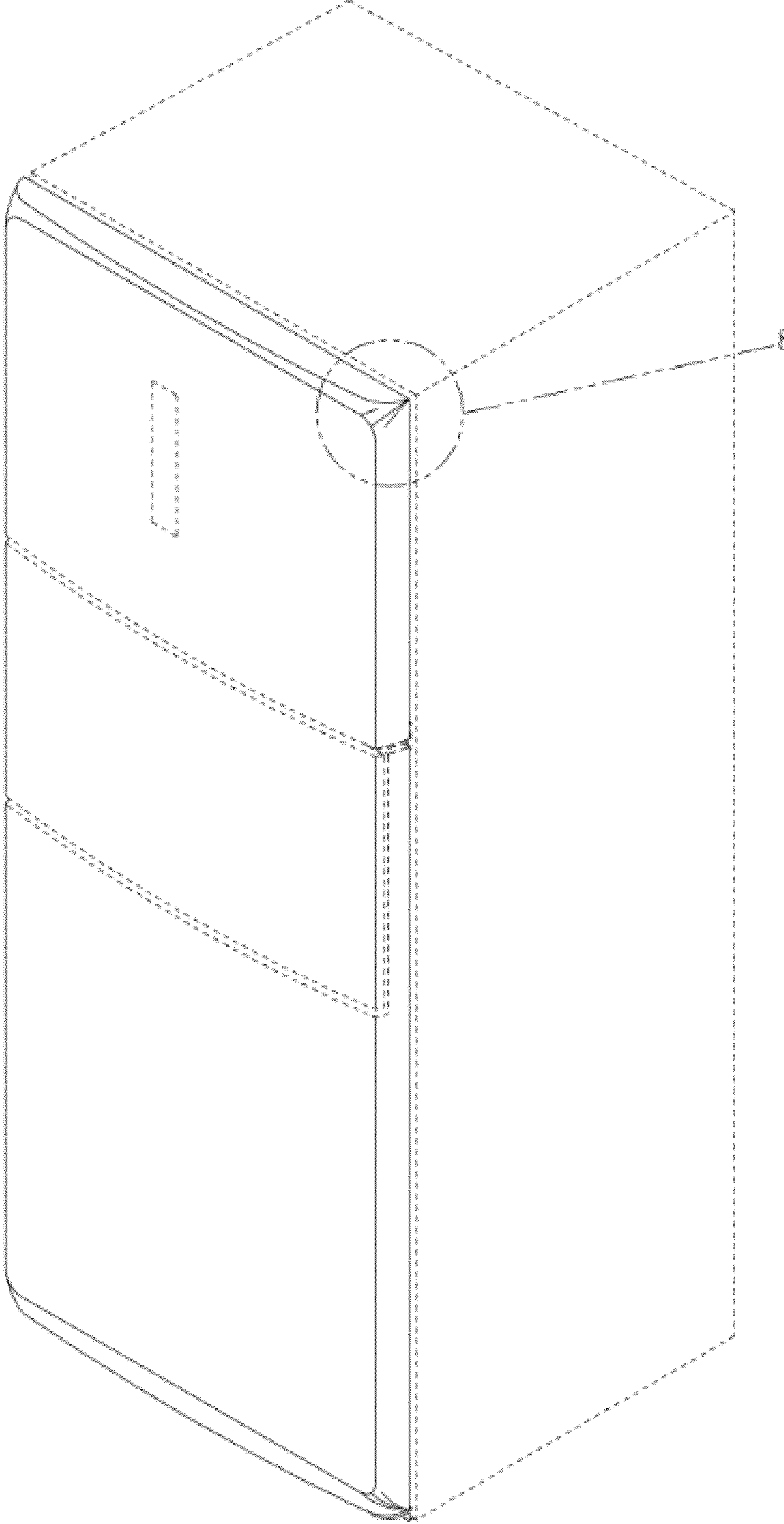


Fig. 2

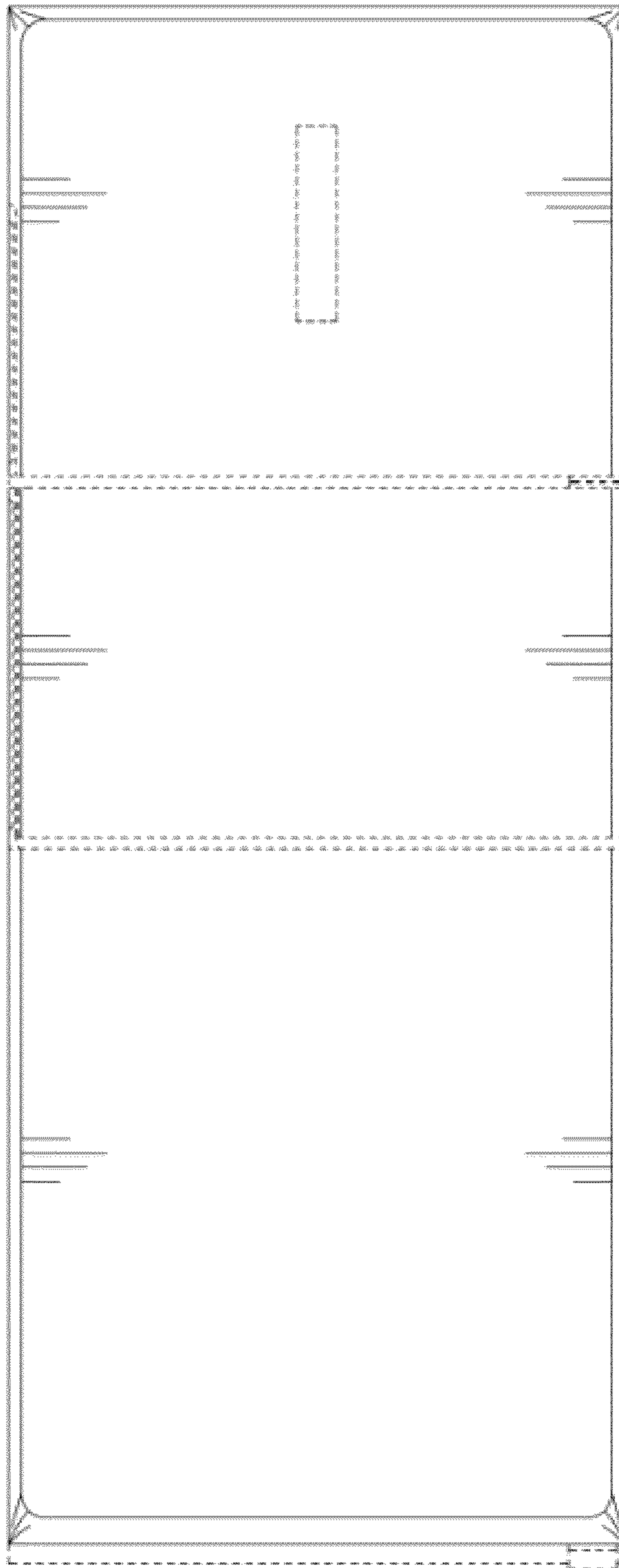


Fig. 3



Fig. 4

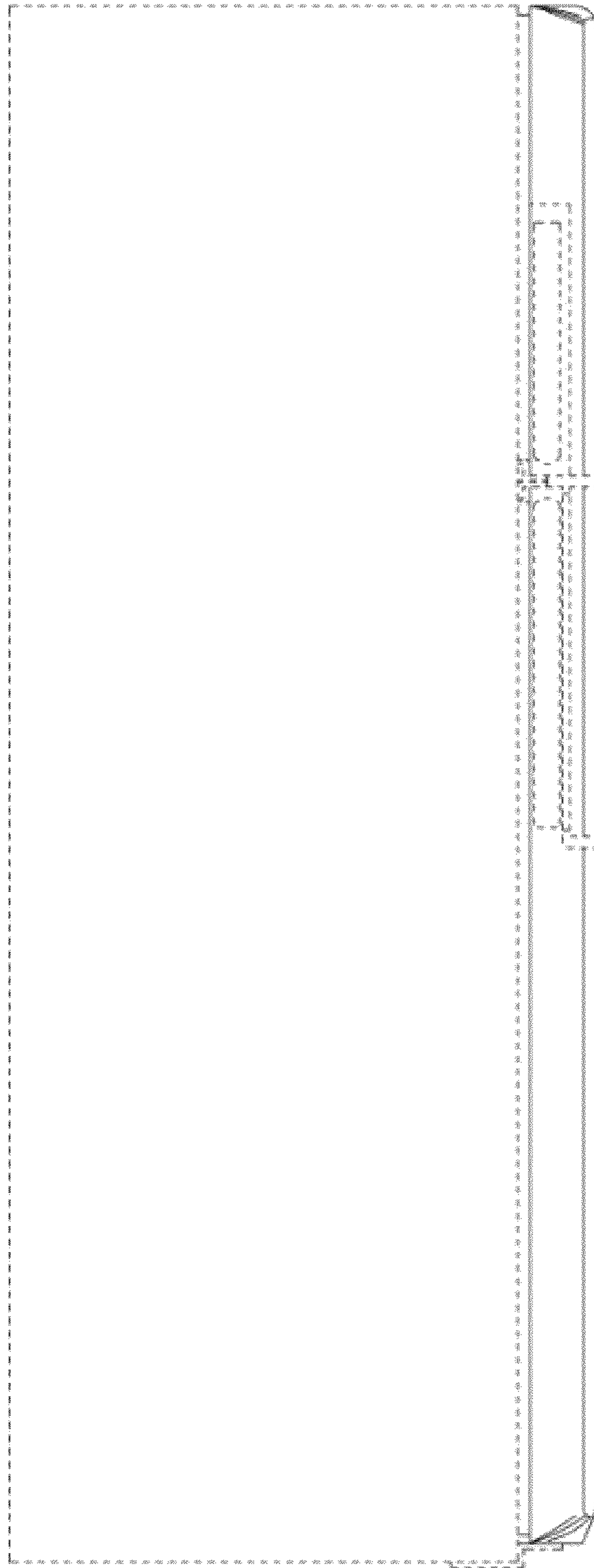




Fig. 5

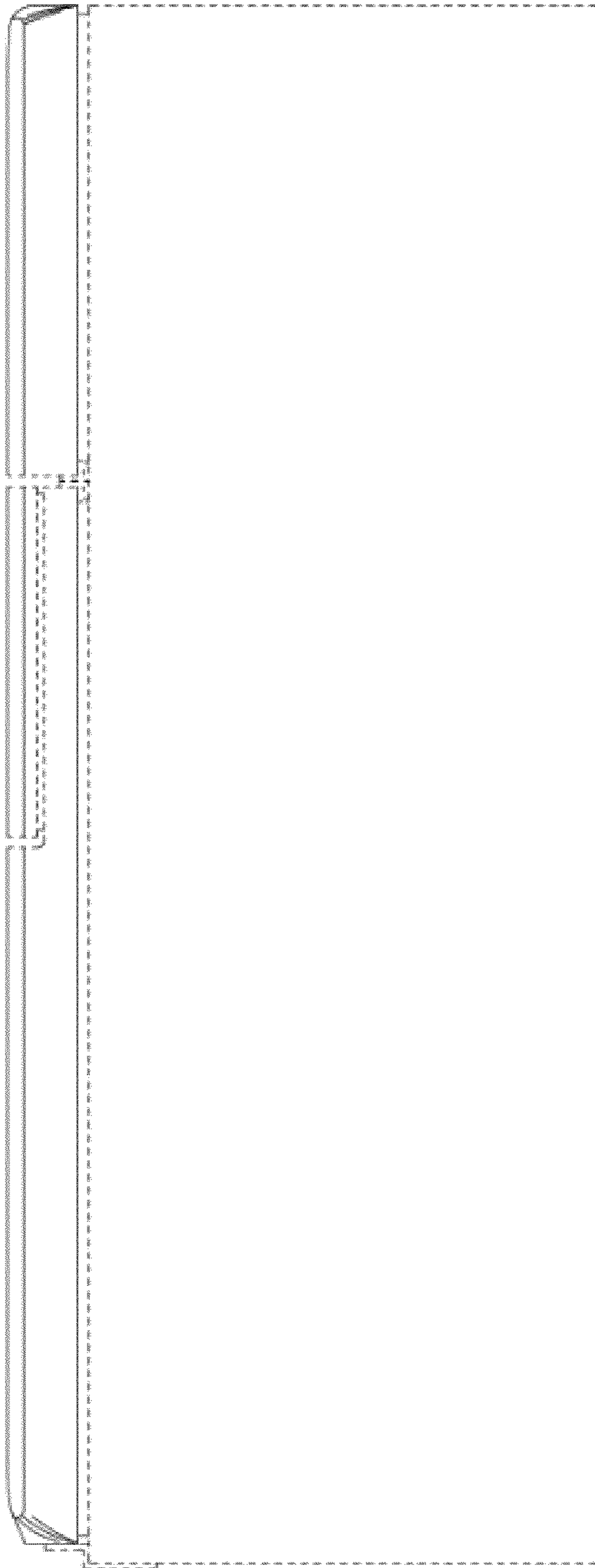


Fig. 6

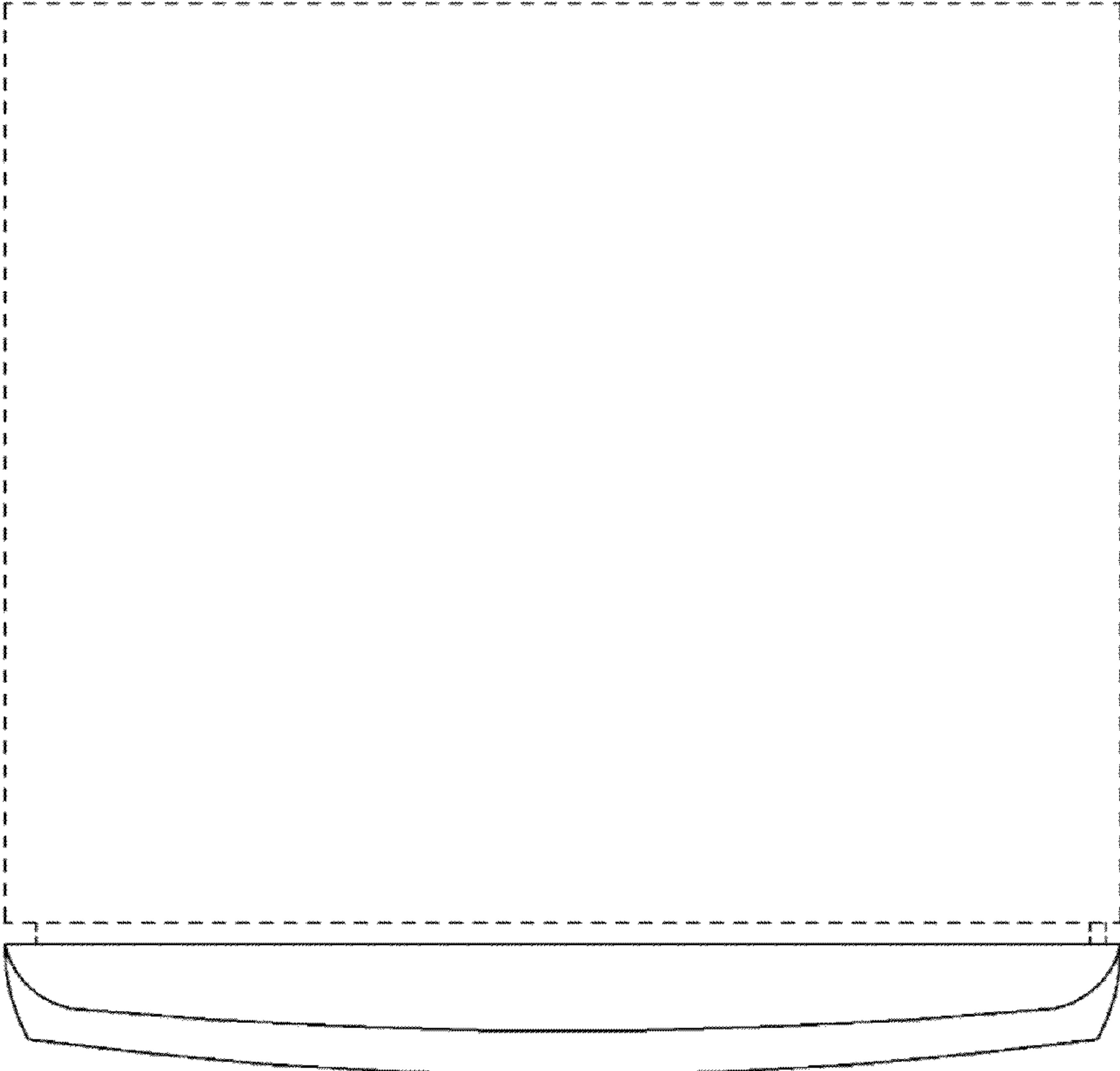


Fig. 7

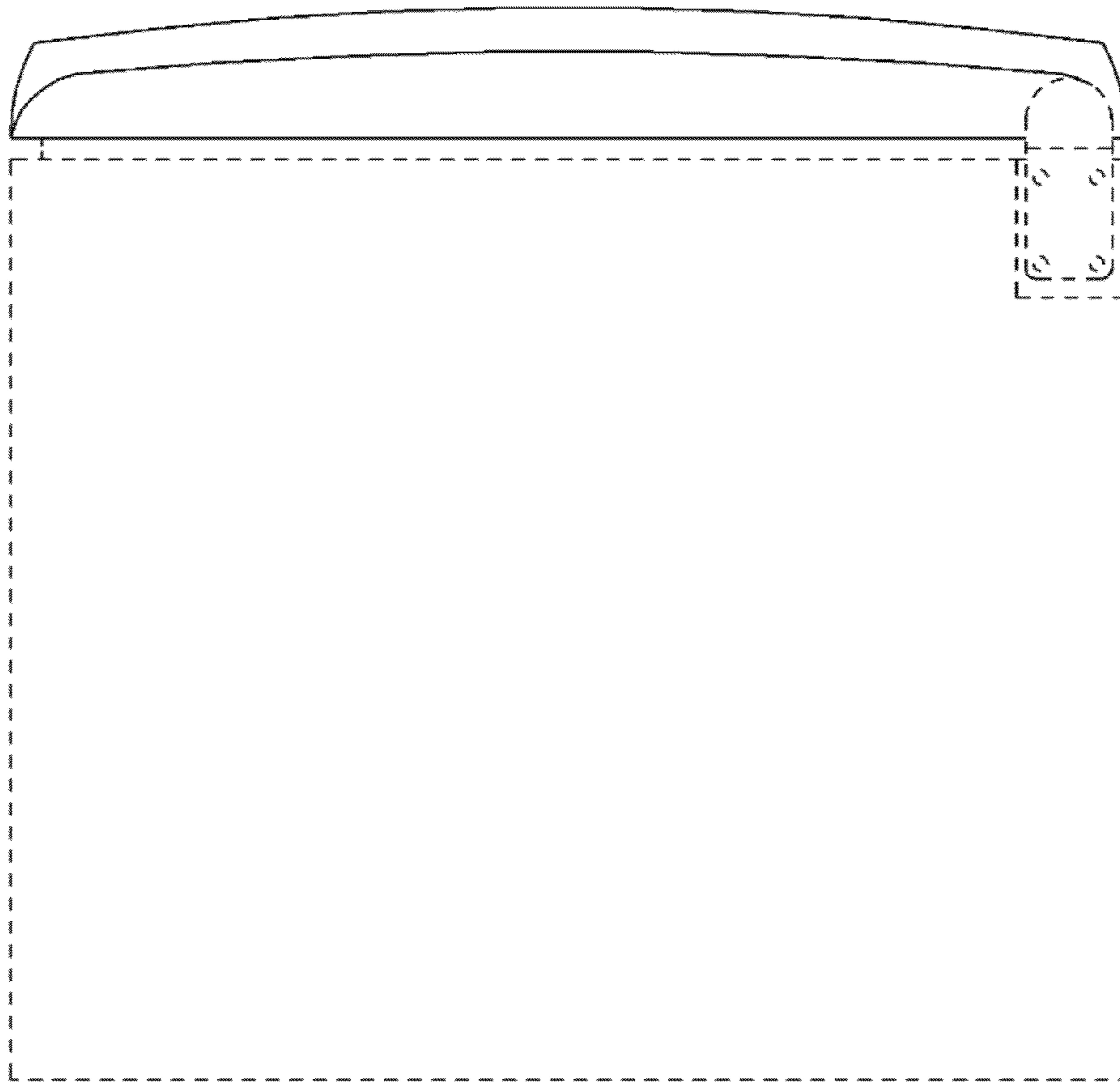




Fig. 8

