



US00D723590S

(12) **United States Design Patent**
Tateishi

(10) **Patent No.:** **US D723,590 S**
(45) **Date of Patent:** **** Mar. 3, 2015**

- (54) **RUBBER CRAWLER**
- (71) Applicant: **Bridgestone Corporation**, Chuo-ku,
Tokyo (JP)
- (72) Inventor: **Kenji Tateishi**, Tokyo (JP)
- (73) Assignee: **Bridgestone Corporation**, Tokyo (JP)
- (**) Term: **14 Years**
- (21) Appl. No.: **29/499,383**
- (22) Filed: **Aug. 14, 2014**
- (30) **Foreign Application Priority Data**

Feb. 18, 2014 (JP) 2014-003263

- (51) **LOC (10) Cl.** **15-03**
- (52) **U.S. Cl.**
USPC **D15/28**
- (58) **Field of Classification Search**
USPC D15/22-26, 28; D21/491, 495, 537,
D21/431, 484; 152/108, 62, 88; 305/35, 44,
305/160, 185, 53, 201, 46, 50, 196, 198,
305/200, 39, 162, 187, 191, 189
See application file for complete search history.

(56) **References Cited**

U.S. PATENT DOCUMENTS

D455,444	S	*	4/2002	Tsuru	D15/28
6,422,666	B2	*	7/2002	Choi	305/178
D484,515	S	*	12/2003	Nishimura	D15/28
D496,051	S	*	9/2004	Yoshida	D15/28
D514,133	S	*	1/2006	Fujita	D15/28
7,077,485	B2	*	7/2006	Akiyama et al.	305/178
7,185,958	B2	*	3/2007	Ueno	305/167
7,300,119	B2	*	11/2007	Ueno	305/165
D557,713	S	*	12/2007	Sugihara et al.	D15/28
D562,353	S	*	2/2008	Sugihara	D15/28
D565,605	S	*	4/2008	Tateishi	D15/28

D567,823	S	*	4/2008	Hagio	D15/28
D588,169	S	*	3/2009	Hagio	D15/28
D588,170	S	*	3/2009	Kumano	D15/28
D602,962	S	*	10/2009	Miyamoto et al.	D15/28
D604,337	S	*	11/2009	Furusawa	D15/28
7,695,077	B2	*	4/2010	Fujita	305/178
D615,105	S	*	5/2010	Abiko	D15/28
D615,106	S	*	5/2010	Shimozono	D15/28
D618,254	S	*	6/2010	Shimozono	D15/28
D626,973	S	*	11/2010	Shimozono	D15/28
D669,503	S	*	10/2012	Nomizo	D15/28
8,297,718	B2	*	10/2012	Pringiers	305/112
D672,792	S	*	12/2012	Nomizo	D15/28
D694,283	S	*	11/2013	Shimozono et al.	D15/28
2004/0066090	A1	*	4/2004	Akiyama et al.	305/165
2009/0256280	A1	*	10/2009	Hirose et al.	264/275
2009/0309415	A1	*	12/2009	Shimozono	305/177
2010/0033010	A1	*	2/2010	Shimozono	305/169
2011/0169324	A1	*	7/2011	Ijiri	305/142

(Continued)

Primary Examiner — Mark Goodwin

(74) *Attorney, Agent, or Firm* — Sughrue Mion, PLLC

(57) **CLAIM**

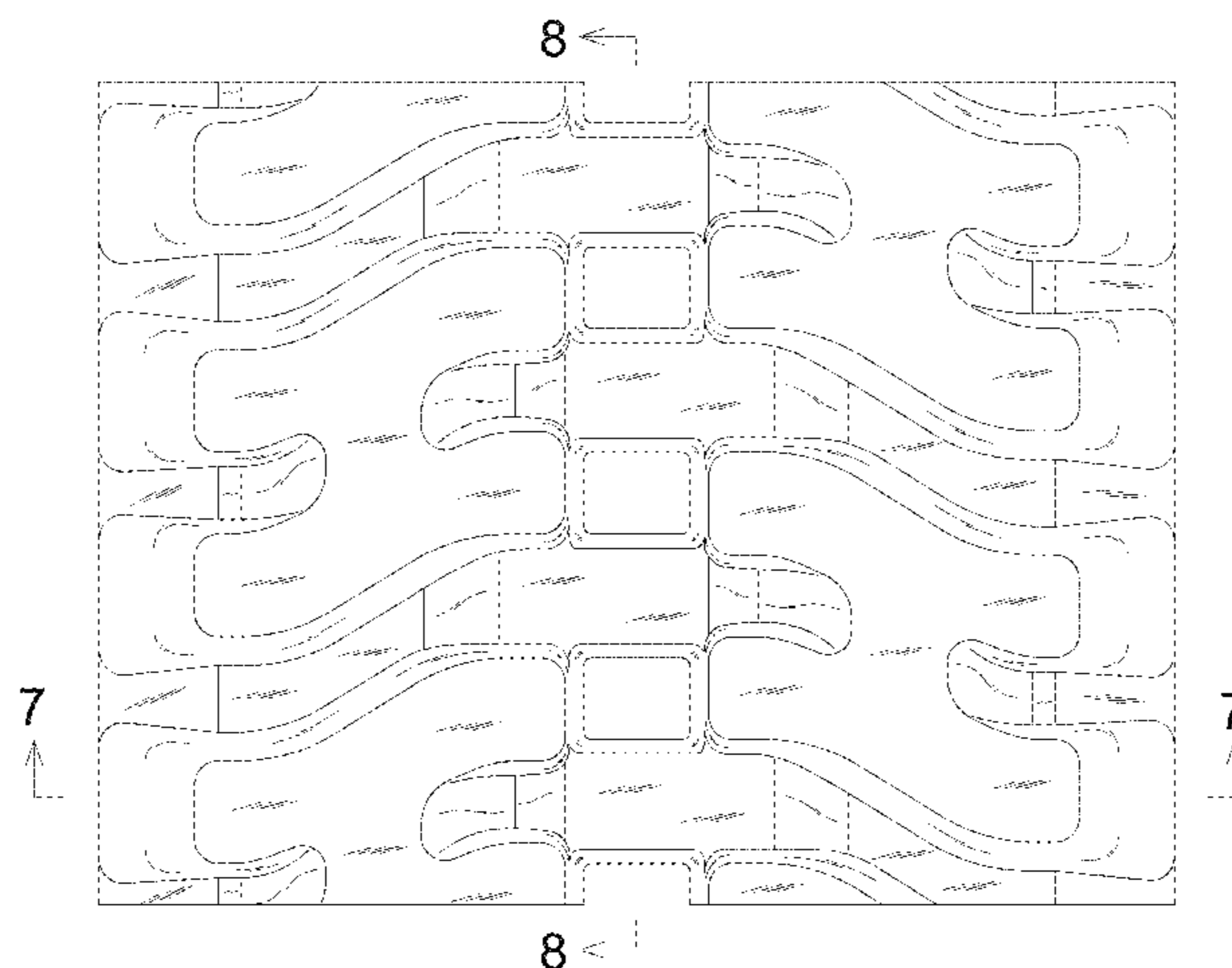
The ornamental design for a rubber crawler, as shown and described.

DESCRIPTION

FIG. 1 is a front view of rubber crawler showing my design;
 FIG. 2 is a top view thereof;
 FIG. 3 is a right side view thereof;
 FIG. 4 is a left side view thereof;
 FIG. 5 is a rear view thereof;
 FIG. 6 is a bottom view thereof;
 FIG. 7 is a section view taken along line 7-7 in FIG. 1; and,
 FIG. 8 is a front central longitudinal sectional view taken
 along line 8-8 in FIG. 1.

The design illustrated in the drawings is a portion of a rubber crawler. The design can be continued in a direction above and below in the front view (FIG. 1).

1 Claim, 8 Drawing Sheets



(56)

References Cited

2012/0139334 A1* 6/2012 Pringiers 305/112
2012/0146401 A1* 6/2012 Shimozono 305/169

U.S. PATENT DOCUMENTS

2012/0032502 A1* 2/2012 Shimozono 305/169 * cited by examiner

FIG. 1

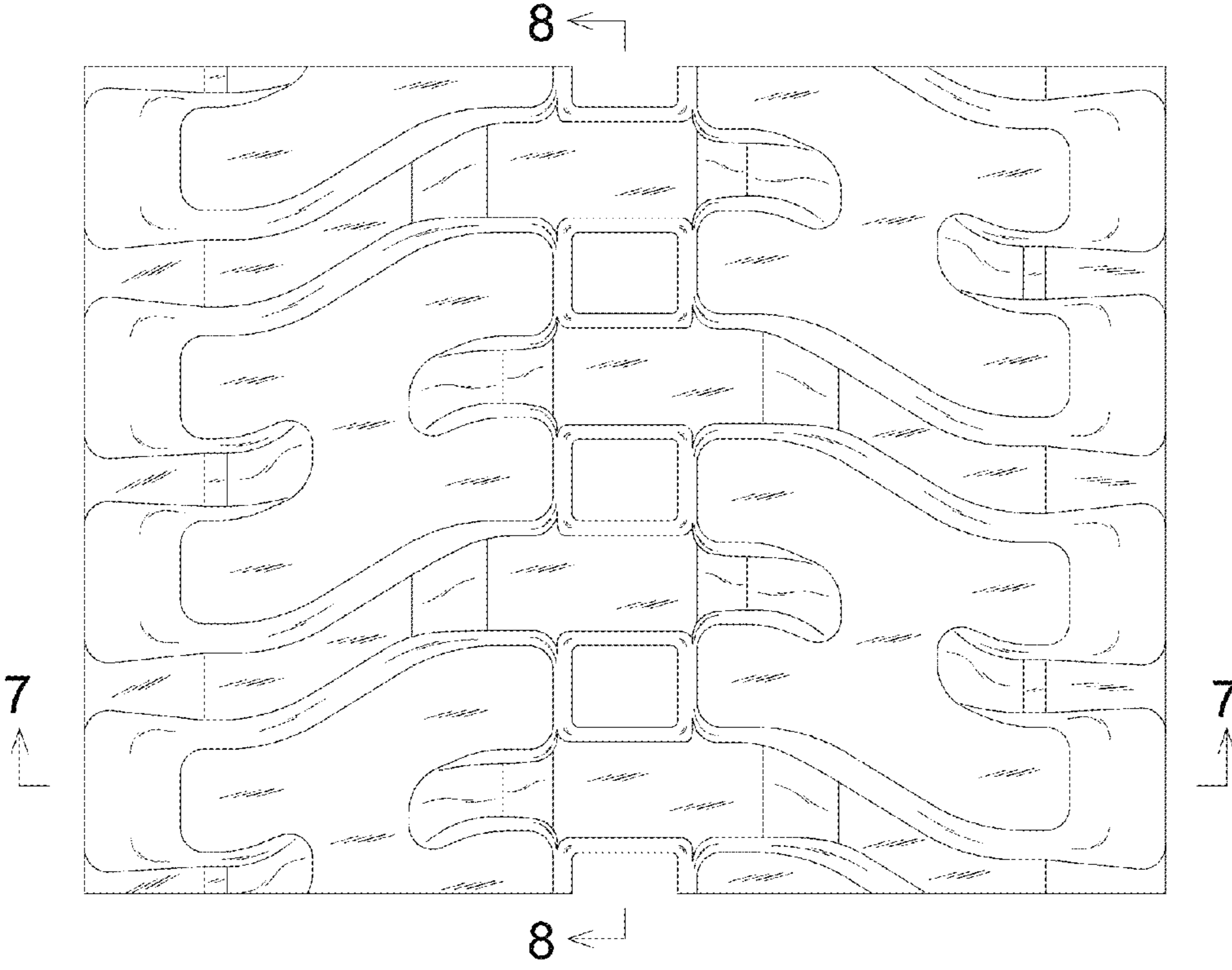


FIG. 2

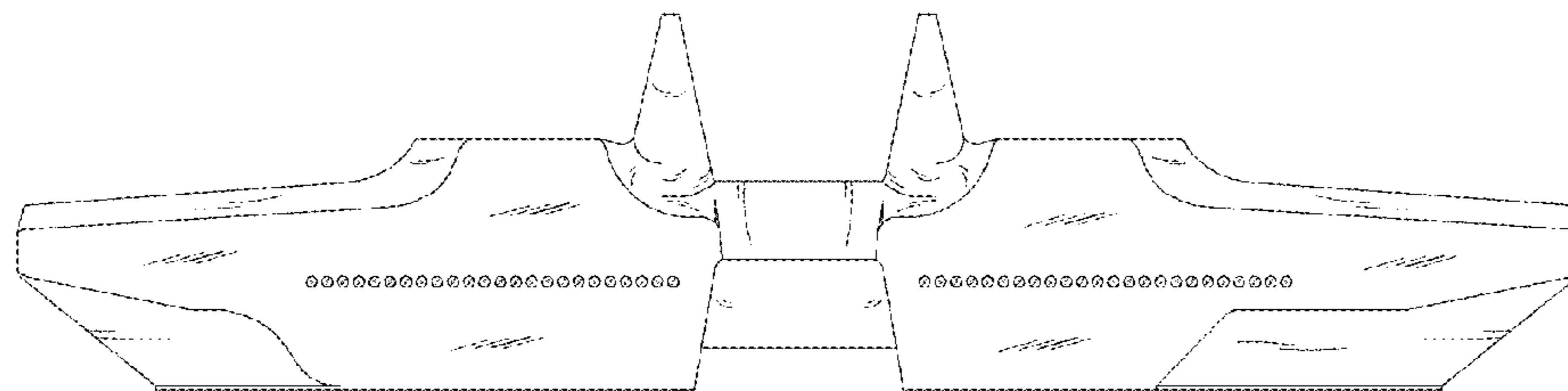


FIG. 3

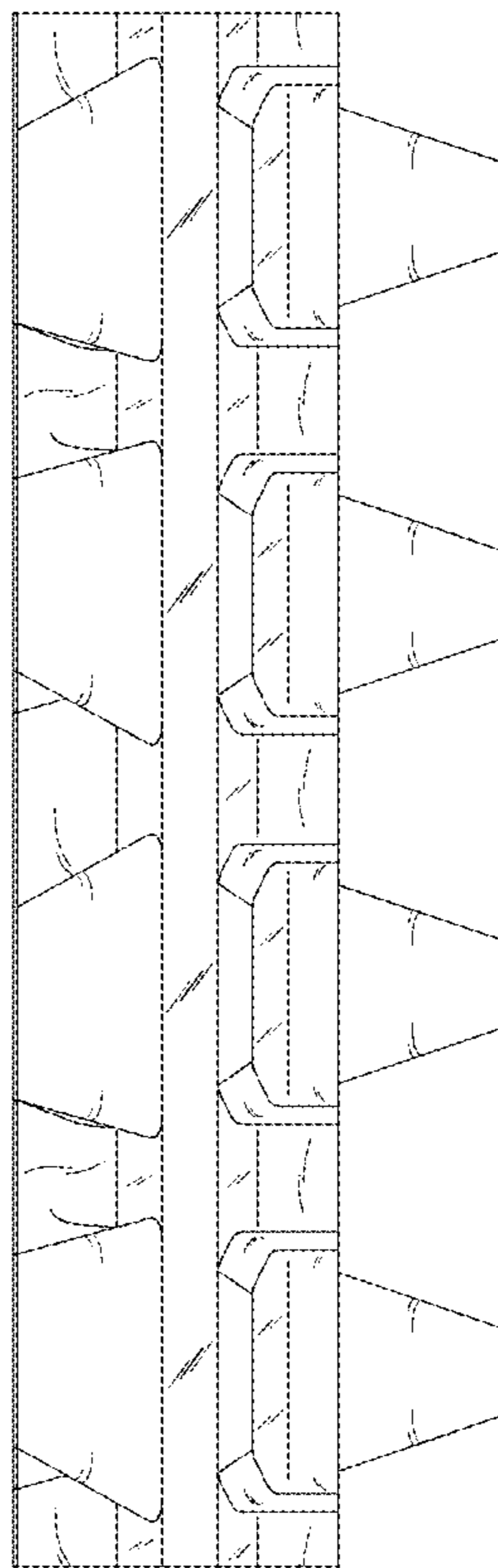


FIG. 4

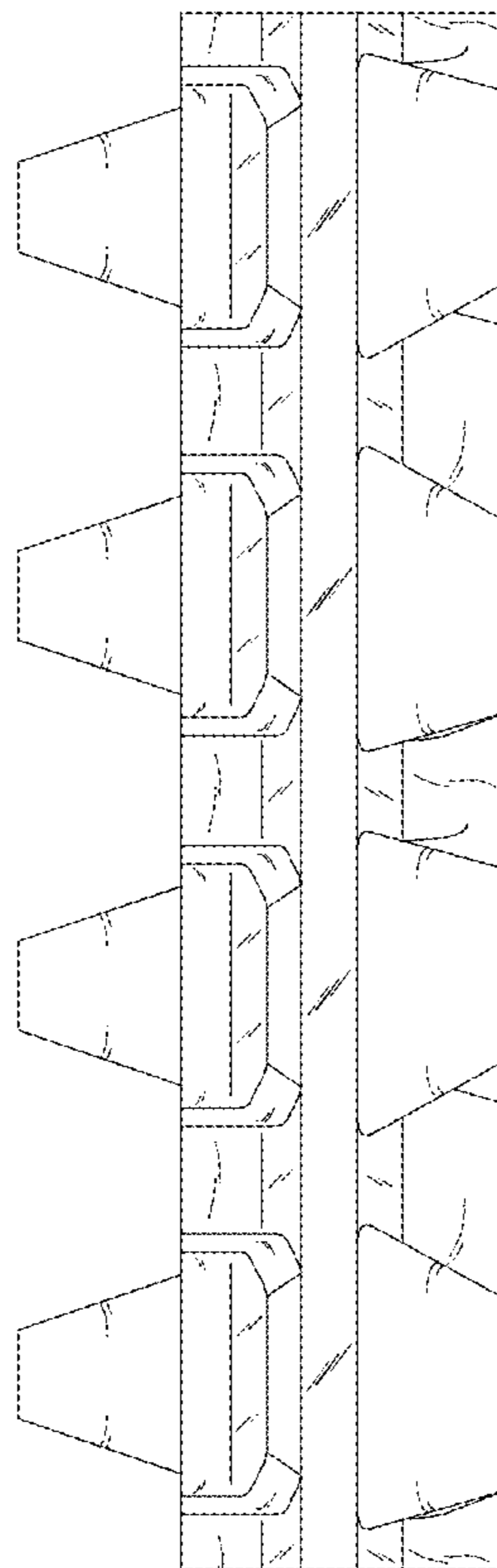


FIG. 5

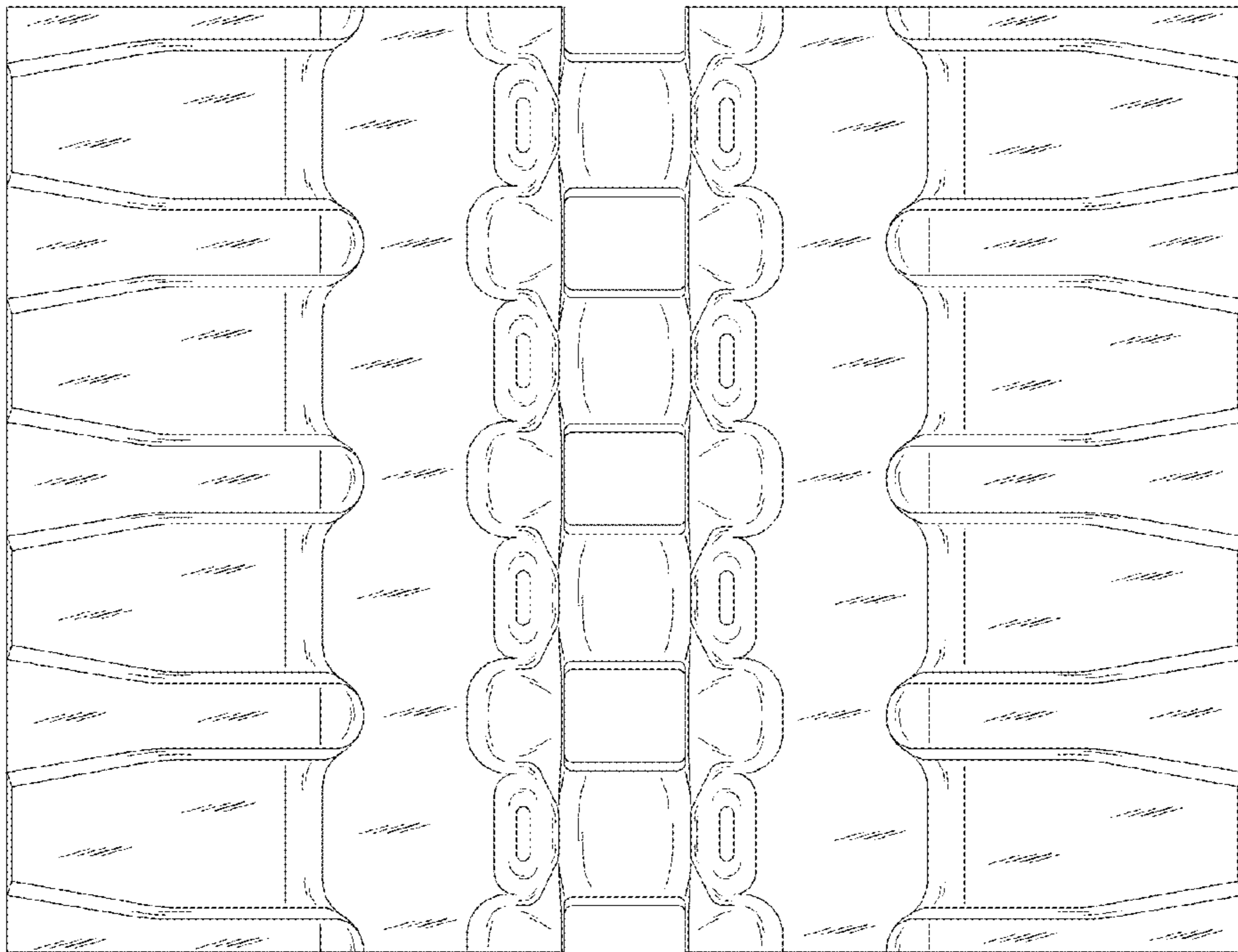


FIG. 6

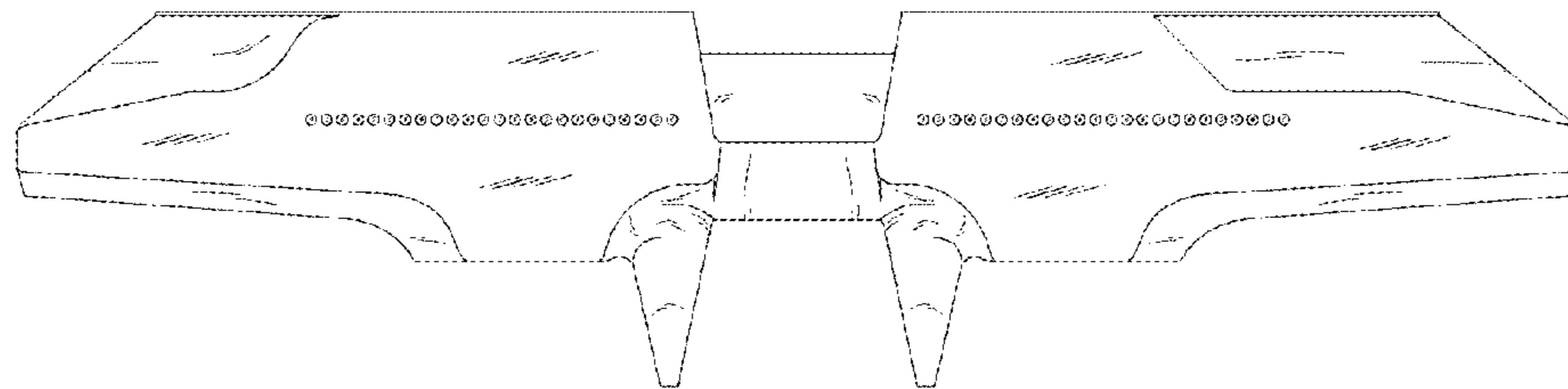


FIG. 7

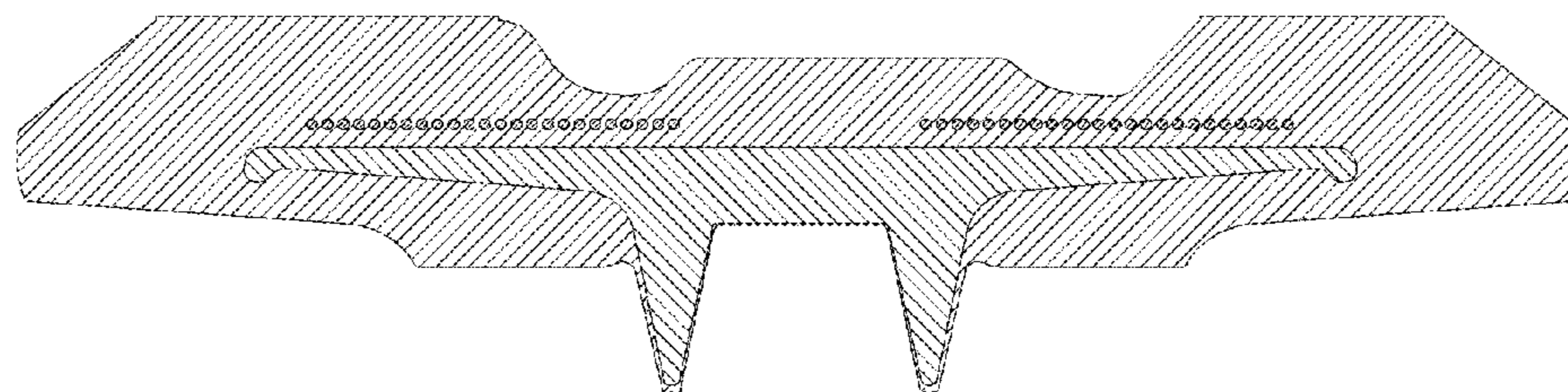


FIG. 8

