



US00D723589S

(12) **United States Design Patent**
Nishihara et al.

(10) **Patent No.:** **US D723,589 S**
(45) **Date of Patent:** **** Mar. 3, 2015**

(54) **CUTTING BLADE FOR A RIDING MOWER**

(71) Applicant: **Kubota Corporation**, Osaka (JP)

(72) Inventors: **Hironobu Nishihara**, Sakai (JP);
Masayuki Akita, Sakai (JP)

(73) Assignee: **Kubota Corporation**, Osaka (JP)

(**) Term: **14 Years**

(21) Appl. No.: **29/483,329**

(22) Filed: **Feb. 27, 2014**

(30) **Foreign Application Priority Data**

Sep. 13, 2013 (JP) 2013-021205

(51) **LOC (10) Cl.** **15-03**

(52) **U.S. Cl.**
USPC **D15/17**

(58) **Field of Classification Search**
USPC D15/14, 17, 28; 56/289, 13.4, 295, 255,
56/17.5, DIG. 19, DIG. 20; 30/276, 357,
30/347, 295, 255, 289, 13.4, 17.5, 390
See application file for complete search history.

(56) **References Cited**

U.S. PATENT DOCUMENTS

3,022,621	A *	2/1962	Zavarella	56/295
4,651,510	A *	3/1987	Malutich	56/295
D289,524	S *	4/1987	Andersson et al.	D15/17
H946	H *	8/1991	Lonn	404/121
D357,691	S *	4/1995	Bryant	D15/17
5,619,846	A *	4/1997	Brown	56/255
5,839,263	A *	11/1998	Biernath et al.	56/255
5,899,053	A *	5/1999	Roth	56/295

D440,580	S *	4/2001	Cooper et al.	D15/17
D482,700	S *	11/2003	Lancaster	D15/17
6,655,119	B2	12/2003	Hasei et al.	
D487,098	S *	2/2004	Arfstrom et al.	D15/17
D598,475	S *	8/2009	Roth	D15/17
D622,740	S *	8/2010	Roth et al.	D15/17
D696,301	S *	12/2013	DeLeon et al.	D15/17
D710,396	S *	8/2014	Nie	D15/17

* cited by examiner

Primary Examiner — Mark Goodwin

(74) *Attorney, Agent, or Firm* — The Webb Law Firm

(57) **CLAIM**

The ornamental design for a cutting blade for a riding mower, as shown and described.

DESCRIPTION

FIG. 1 is a front view of a cutting blade for a riding mower showing our new design;
 FIG. 2 is a rear view thereof;
 FIG. 3 is a left side view thereof;
 FIG. 4 is right side view thereof;
 FIG. 5 is a top view thereof;
 FIG. 6 is a bottom view thereof;
 FIG. 7 is front perspective view thereof;
 FIG. 8 is rear perspective view thereof;
 FIG. 9 is an enlarged left side view thereof;
 FIG. 10 is an enlarged right side view thereof; and,
 FIG. 11 is an enlarged perspective view of a portion thereof taken along lines 11-11 in FIG. 7.

The broken line showings of FIGS. 1-11 are environmental only and not part of the claimed design.
 The dashed-dotted line showings of FIGS. 1-11 illustrate a boundary between the claimed design and environmental features and form no part of the claimed design.

1 Claim, 11 Drawing Sheets

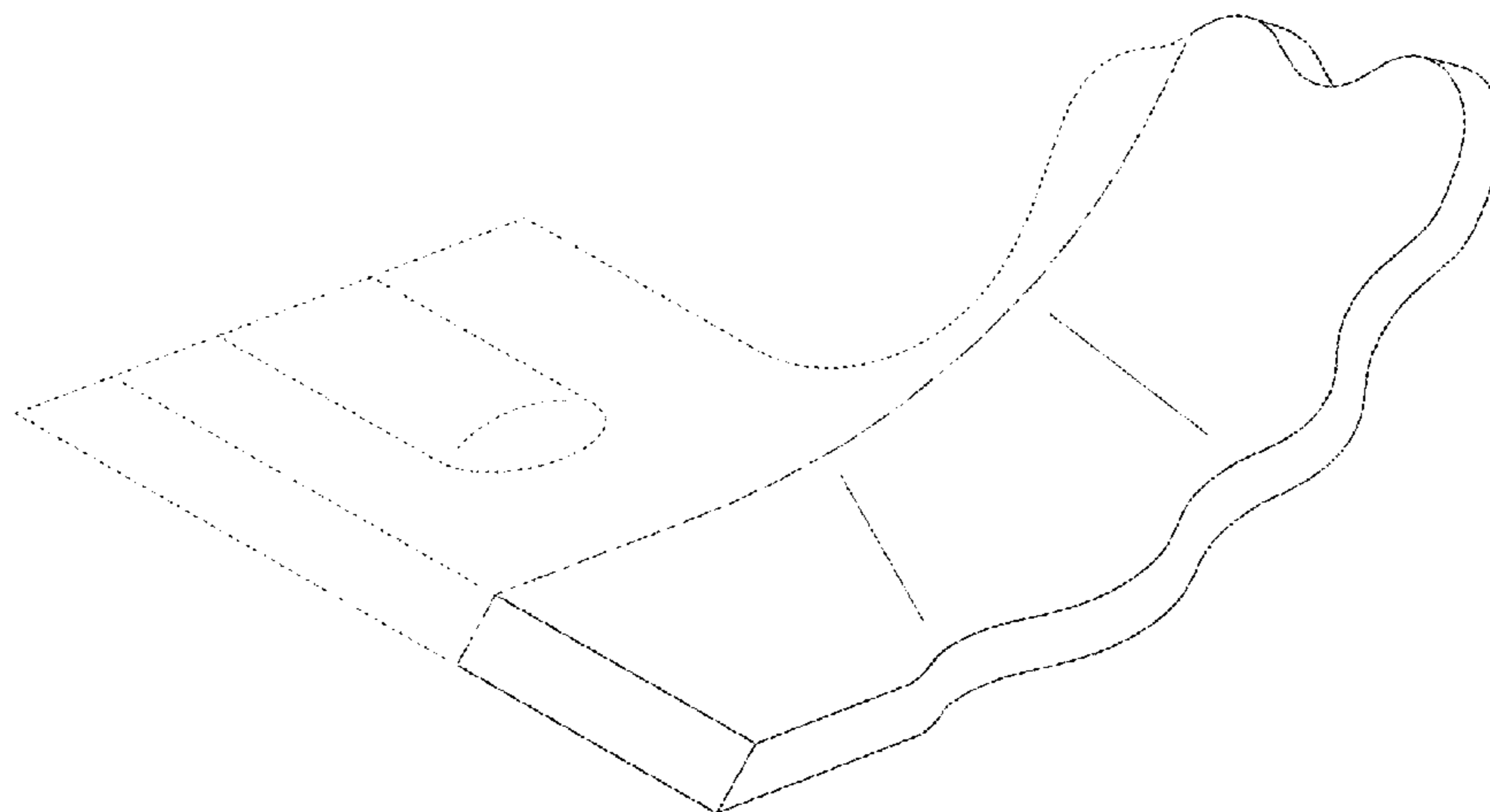


Fig.1

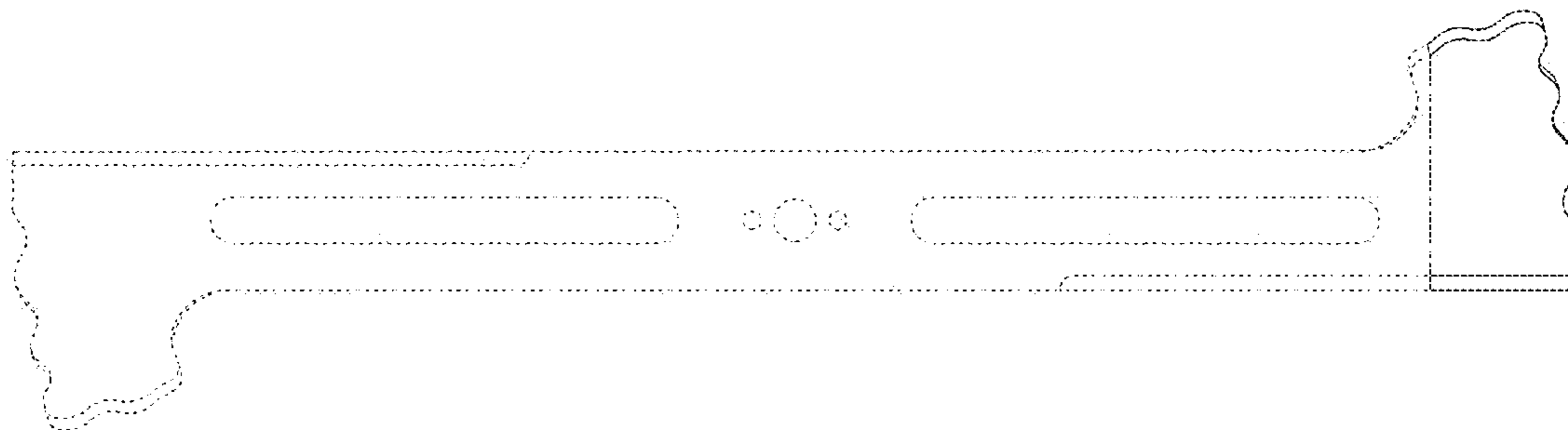


Fig.2

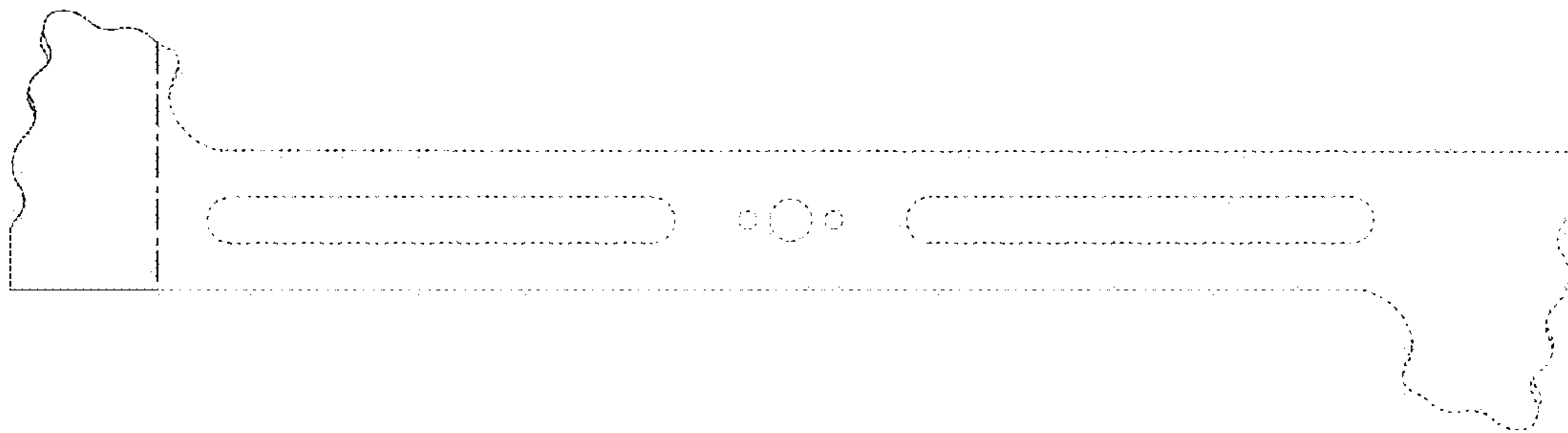


Fig.3

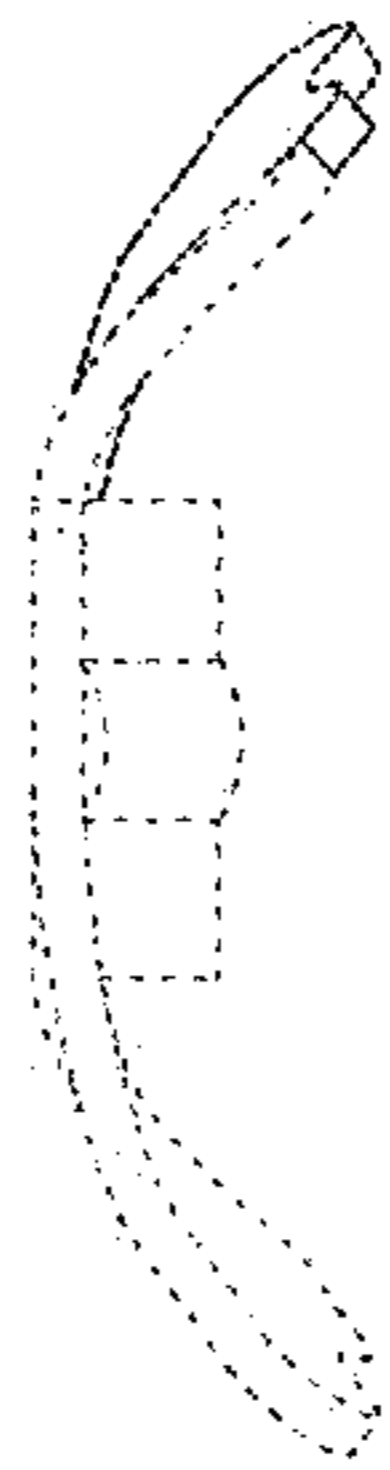


Fig.4

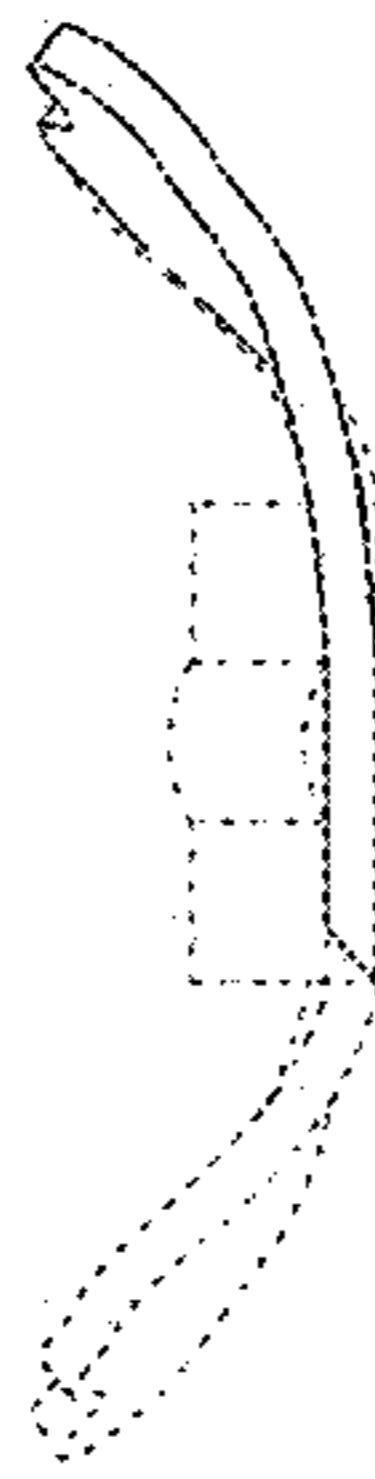


Fig.5

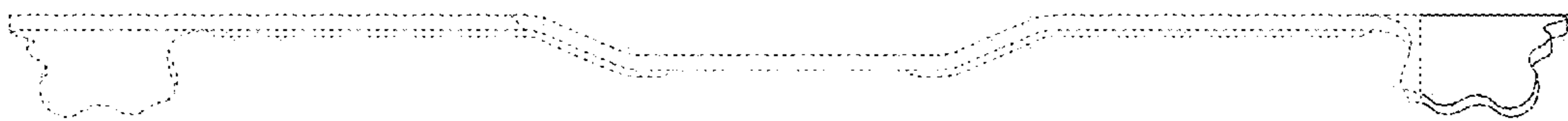


Fig.6



Fig.7

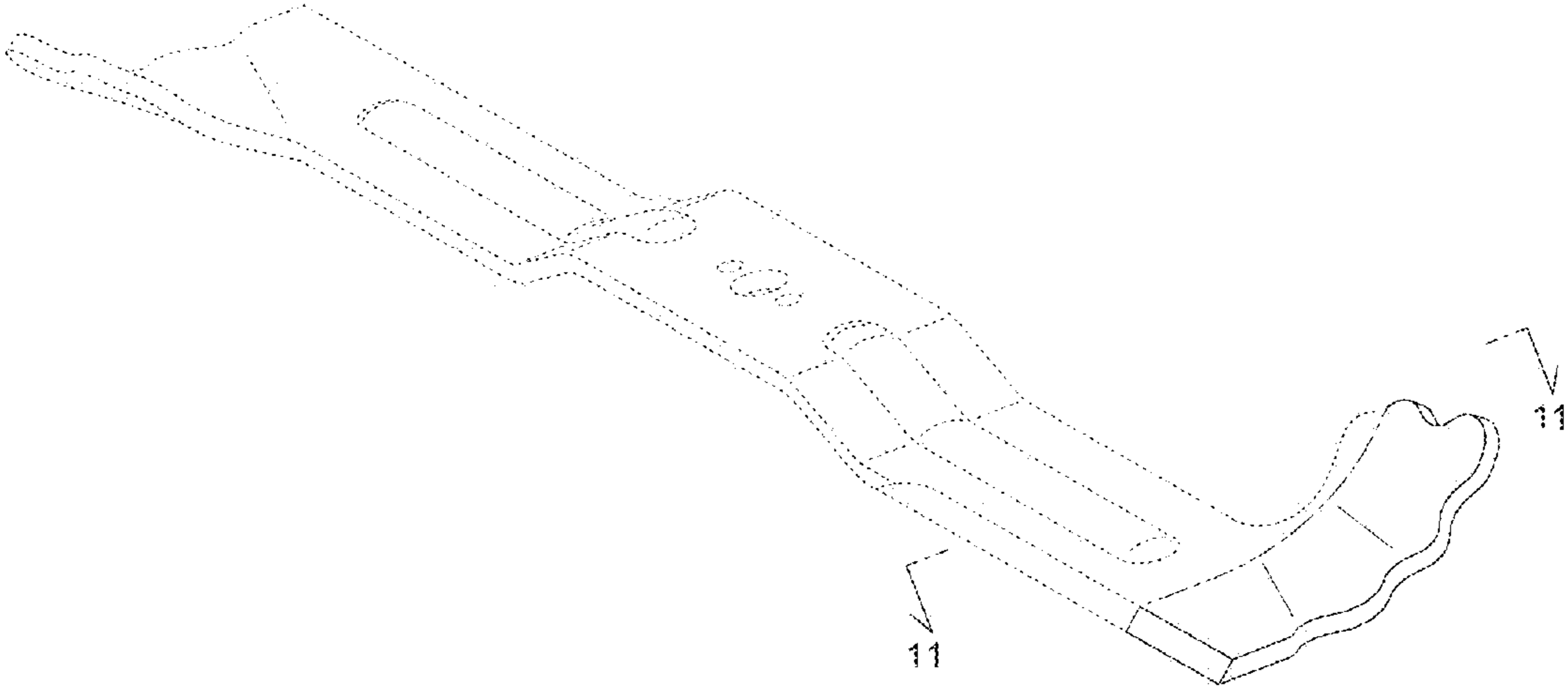


Fig.8

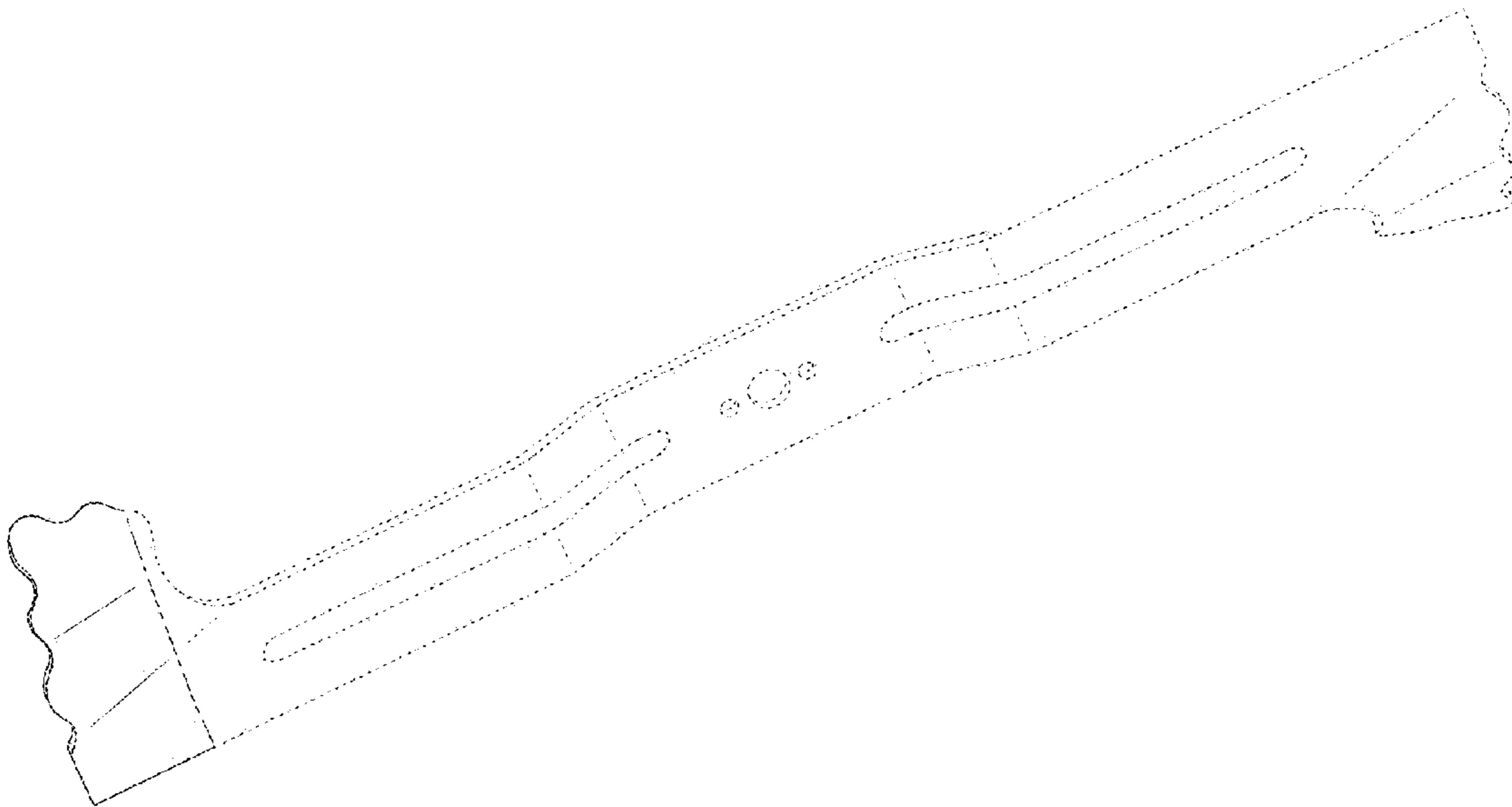


Fig.9

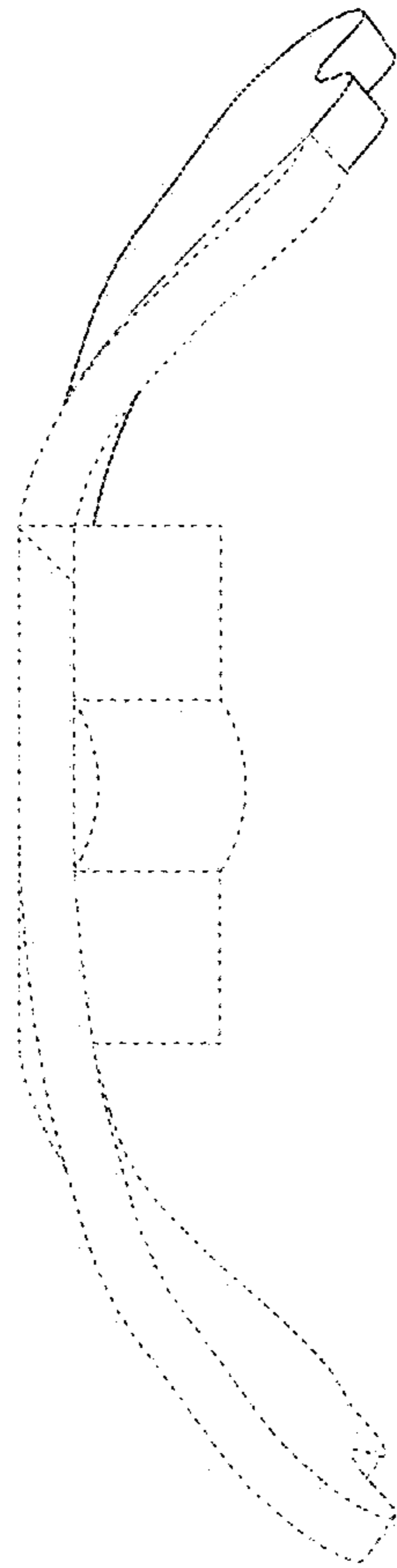


Fig.10

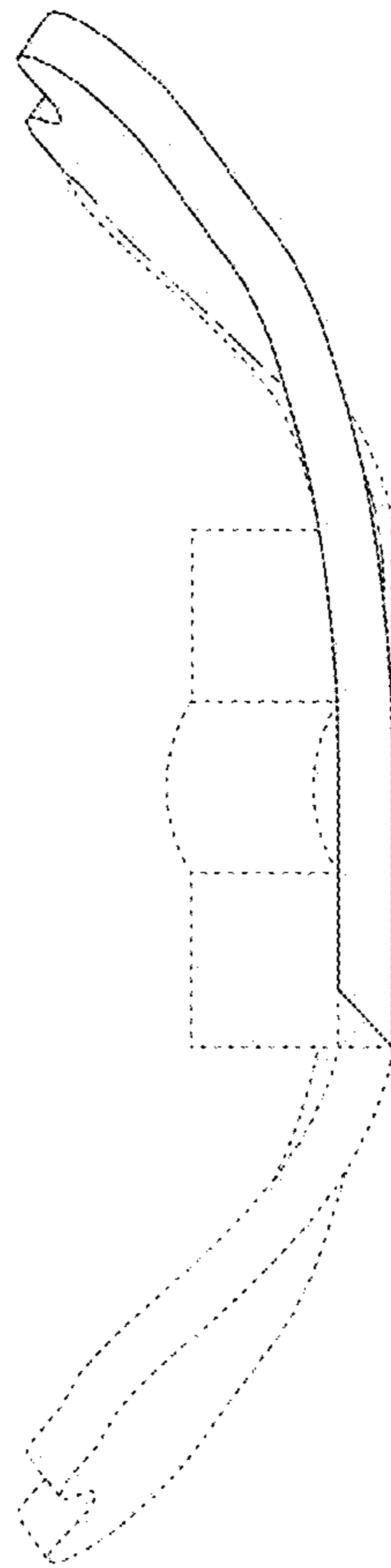


Fig.11

