



US00D723588S

(12) **United States Design Patent**
Wang

(10) **Patent No.:** **US D723,588 S**
(45) **Date of Patent:** **** Mar. 3, 2015**

(54) **AIR COMPRESSOR**

(71) Applicant: **Min-Hsieng Wang**, Taipei (TW)

(72) Inventor: **Min-Hsieng Wang**, Taipei (TW)

(**) Term: **14 Years**

(21) Appl. No.: **29/488,384**

(22) Filed: **Apr. 18, 2014**

(51) **LOC (10) Cl.** **15-02**

(52) **U.S. Cl.**
USPC **D15/9**

(58) **Field of Classification Search**

CPC F04B 25/00; F04B 27/00; F04B 33/00;
F04B 35/00; F04B 37/00; F04B 39/00;
F04B 39/12; F04B 41/00; F04B 7/00; F04B
9/08; F04B 43/00; F04B 43/04; F04B 43/06
USPC D15/7-9; D23/231, 232, 225; 417/60,
417/235, 265, 321, 355, 358, 363, 359,
417/410.1, 415-416, 405, 900, 360;
60/408, 412; 184/26-37; 415/140-147;
123/495, 509

See application file for complete search history.

(56) **References Cited**

U.S. PATENT DOCUMENTS

D498,243 S * 11/2004 Chou D15/7
D498,767 S * 11/2004 Chou D15/7
D498,769 S * 11/2004 Chou D15/9
D499,426 S * 12/2004 Chou D15/7

D582,945 S * 12/2008 Chou D15/9
D626,571 S * 11/2010 Eckhardt D15/9
D627,795 S * 11/2010 Eckhardt D15/9
D627,796 S * 11/2010 Eckhardt D15/9
D629,424 S * 12/2010 Eckhardt D15/9
D644,252 S * 8/2011 Kojima D15/9
D657,801 S * 4/2012 Eckhardt D15/9
D665,427 S * 8/2012 Inskeep D15/9
D670,313 S * 11/2012 Ohm et al. D15/7
D672,368 S * 12/2012 Wong D15/9
D678,351 S * 3/2013 Wong D15/9
D679,291 S * 4/2013 Ohm et al. D15/7
D695,319 S * 12/2013 Ohm et al. D15/9
D703,241 S * 4/2014 Eckhardt et al. D15/9

* cited by examiner

Primary Examiner — Ralf Seifert

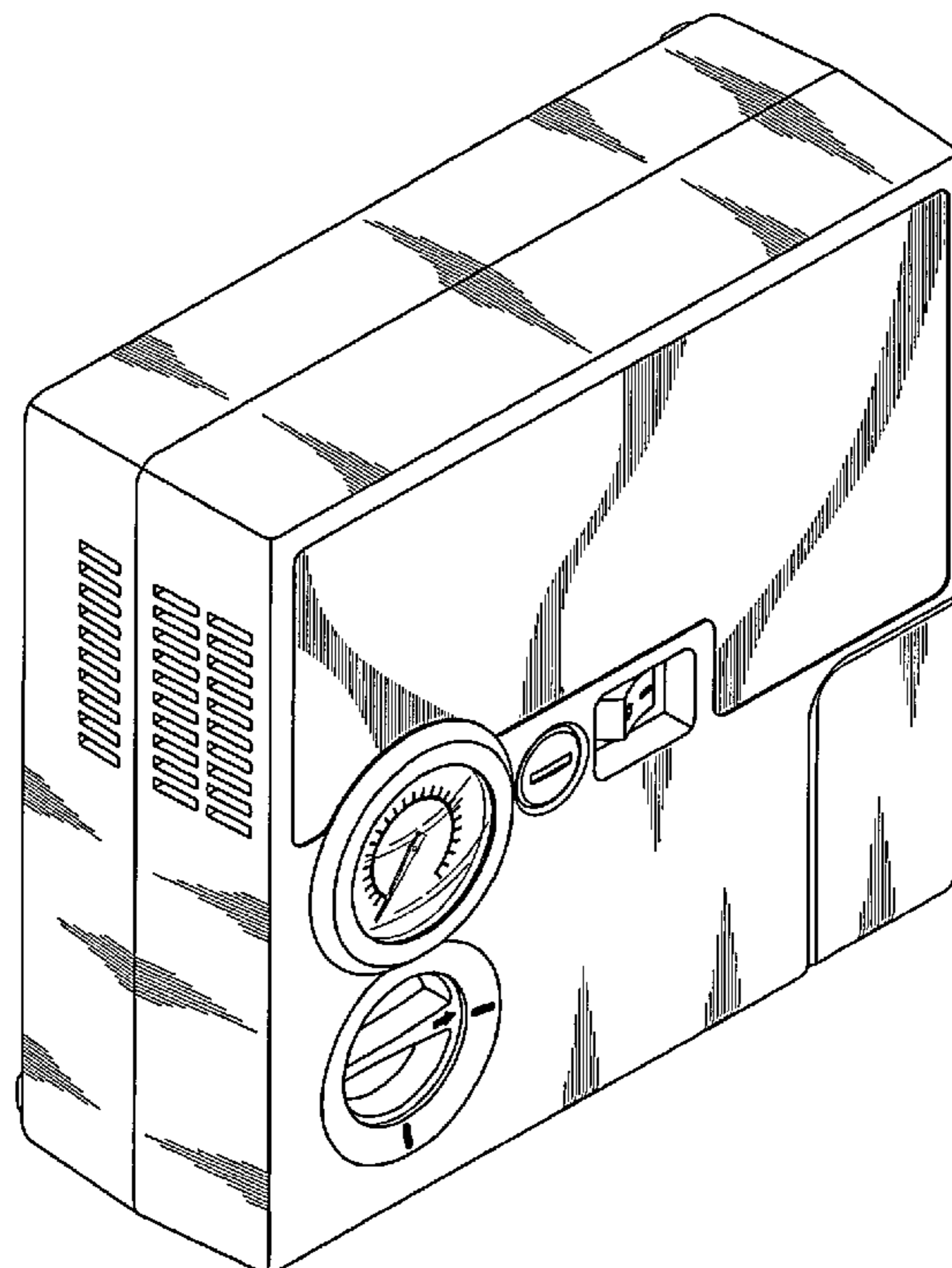
(57) **CLAIM**

The ornamental design for an air compressor, as shown and described.

DESCRIPTION

FIG. 1 is a perspective view of an air compressor showing my design;
FIG. 2 is a front elevational view thereof;
FIG. 3 is a rear elevational view thereof, where those indicated by broken lines are not claimed;
FIG. 4 is a left side elevational view thereof;
FIG. 5 is a right side elevational view thereof;
FIG. 6 is a top plan view thereof; and,
FIG. 7 is a bottom plan view thereof, where those indicated by broken lines are not claimed.

1 Claim, 7 Drawing Sheets



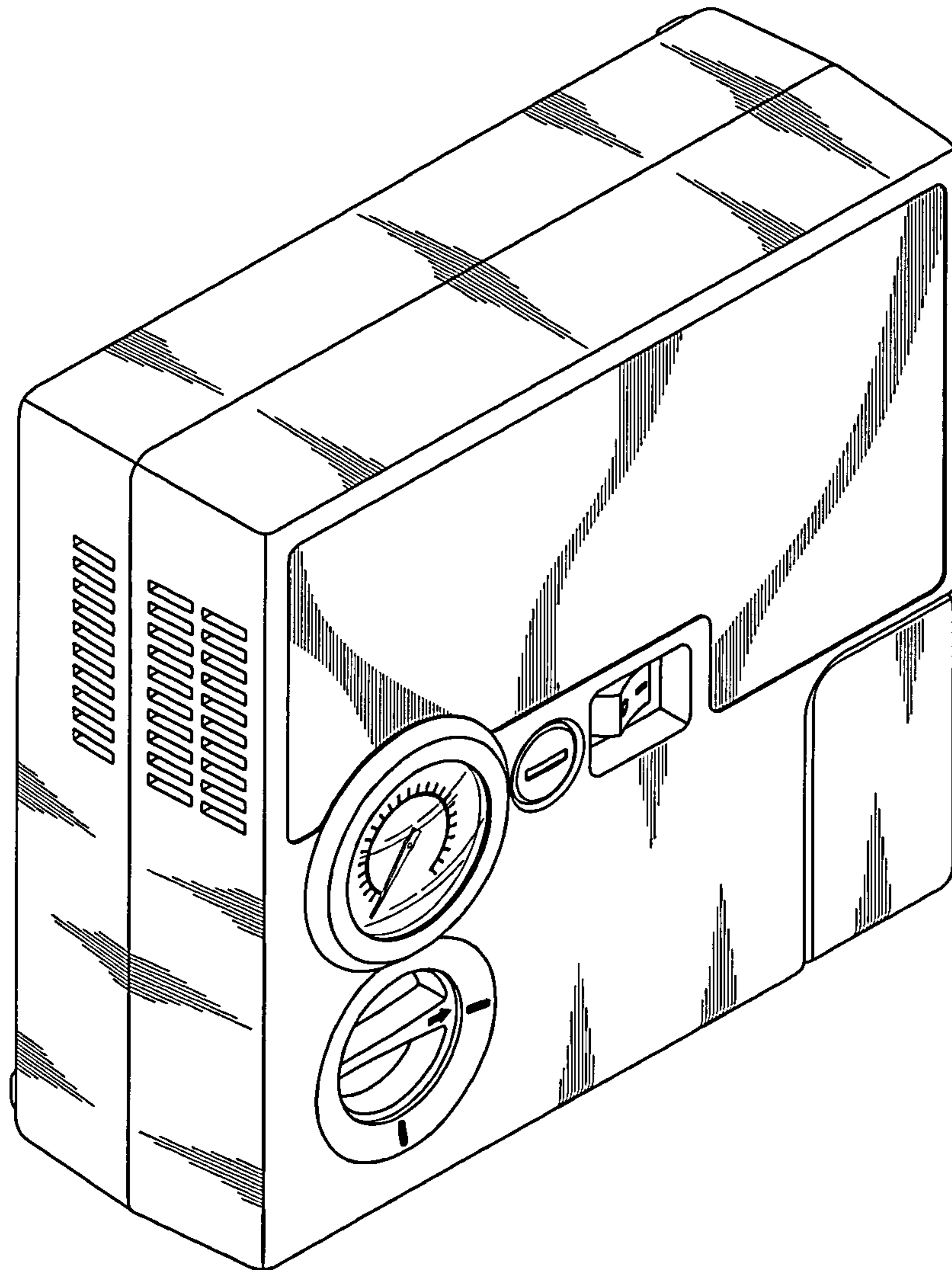


FIG. 1

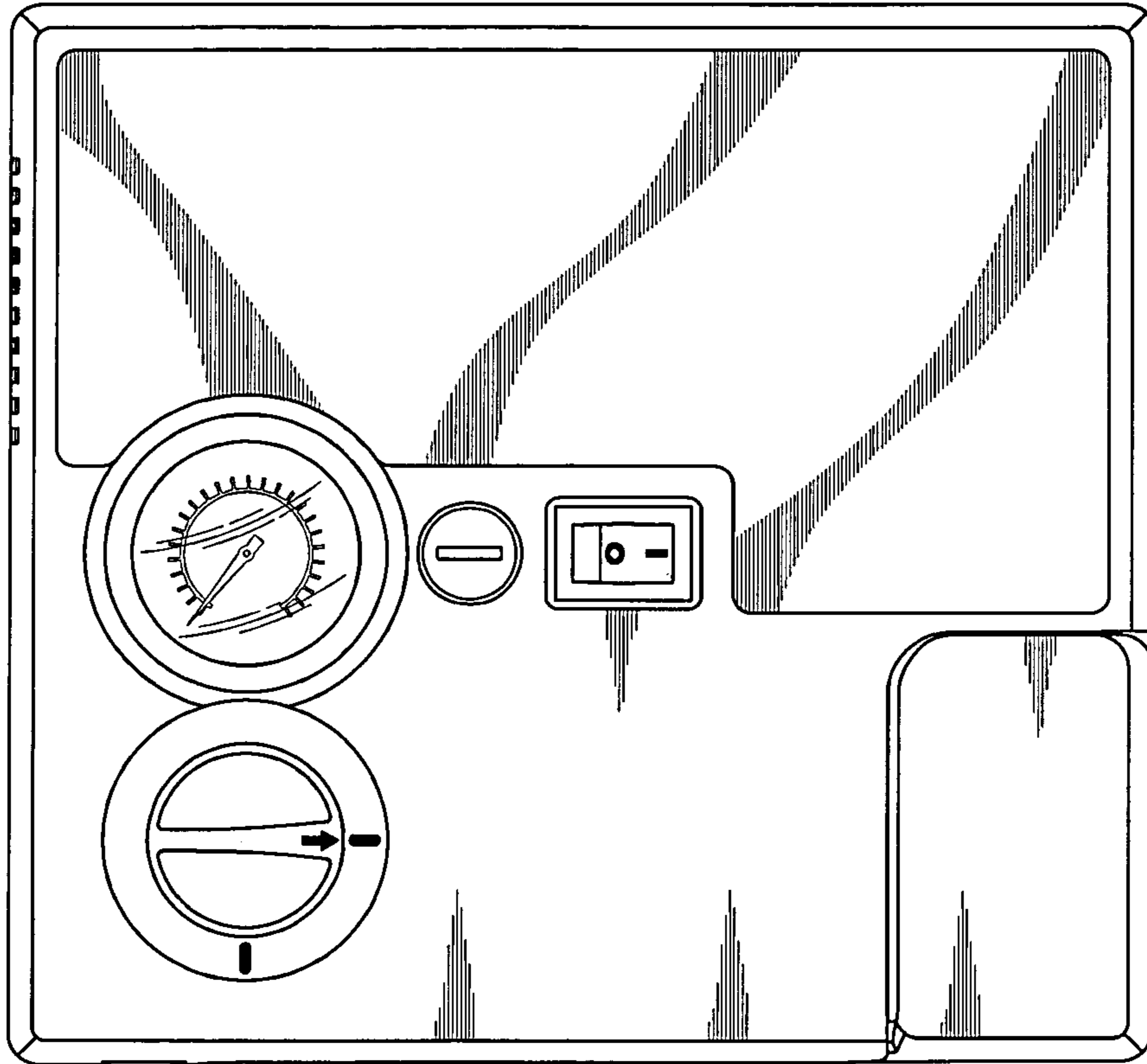


FIG.2

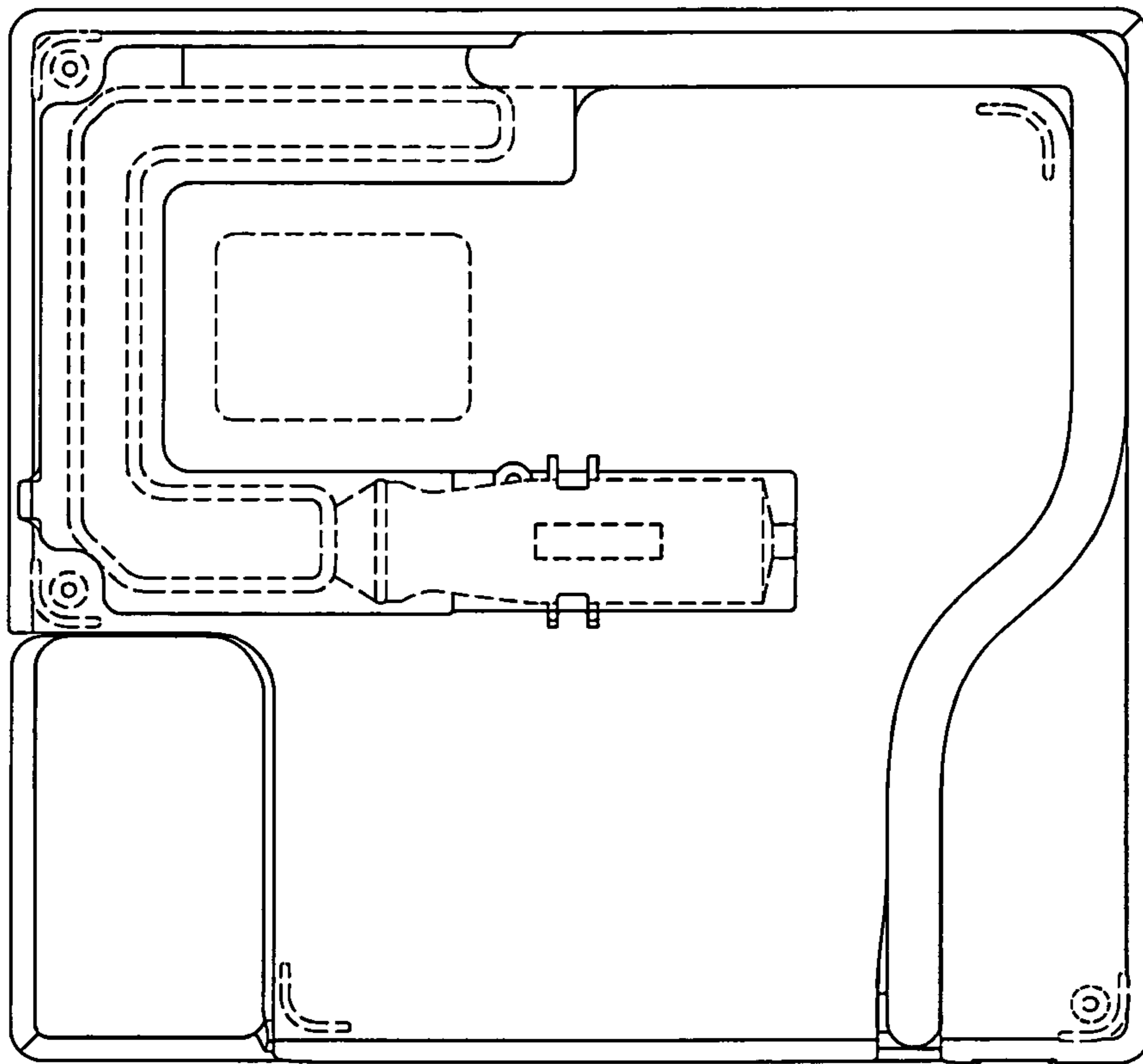


FIG.3

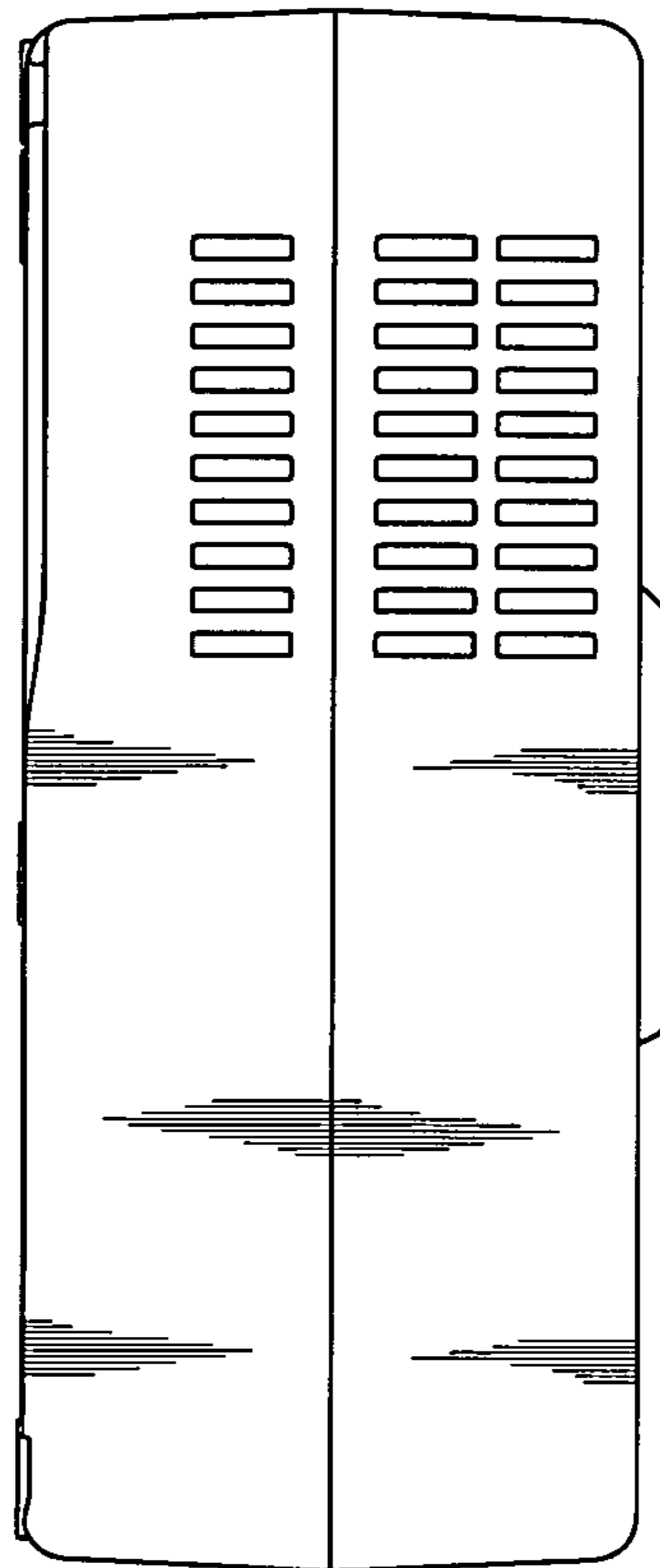


FIG.4

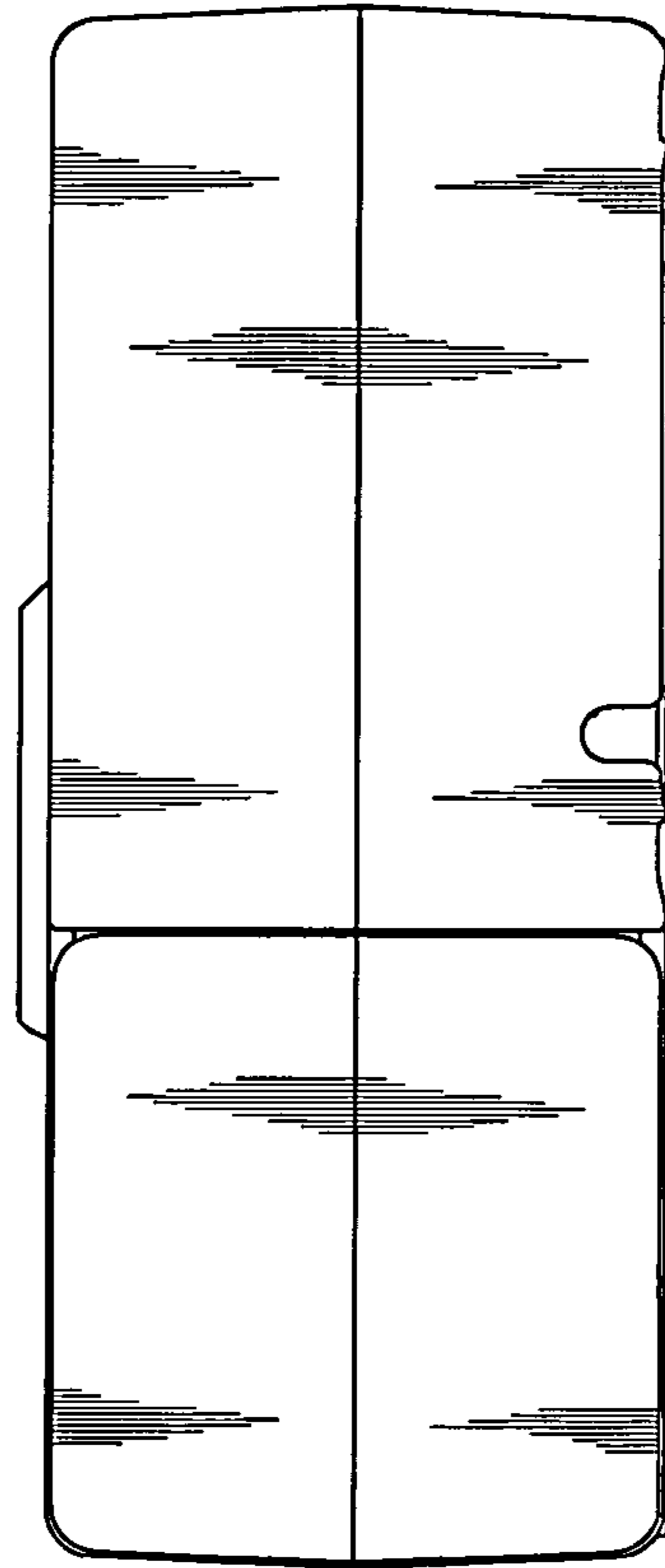


FIG.5

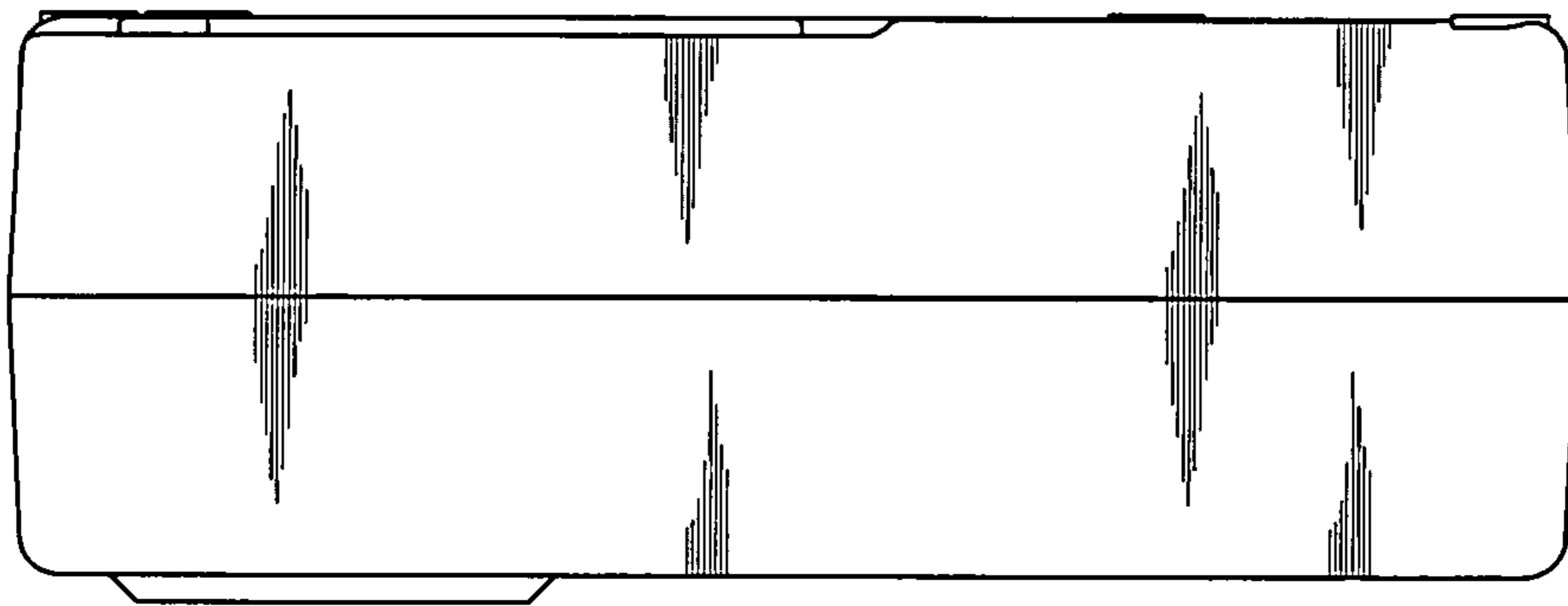


FIG.6

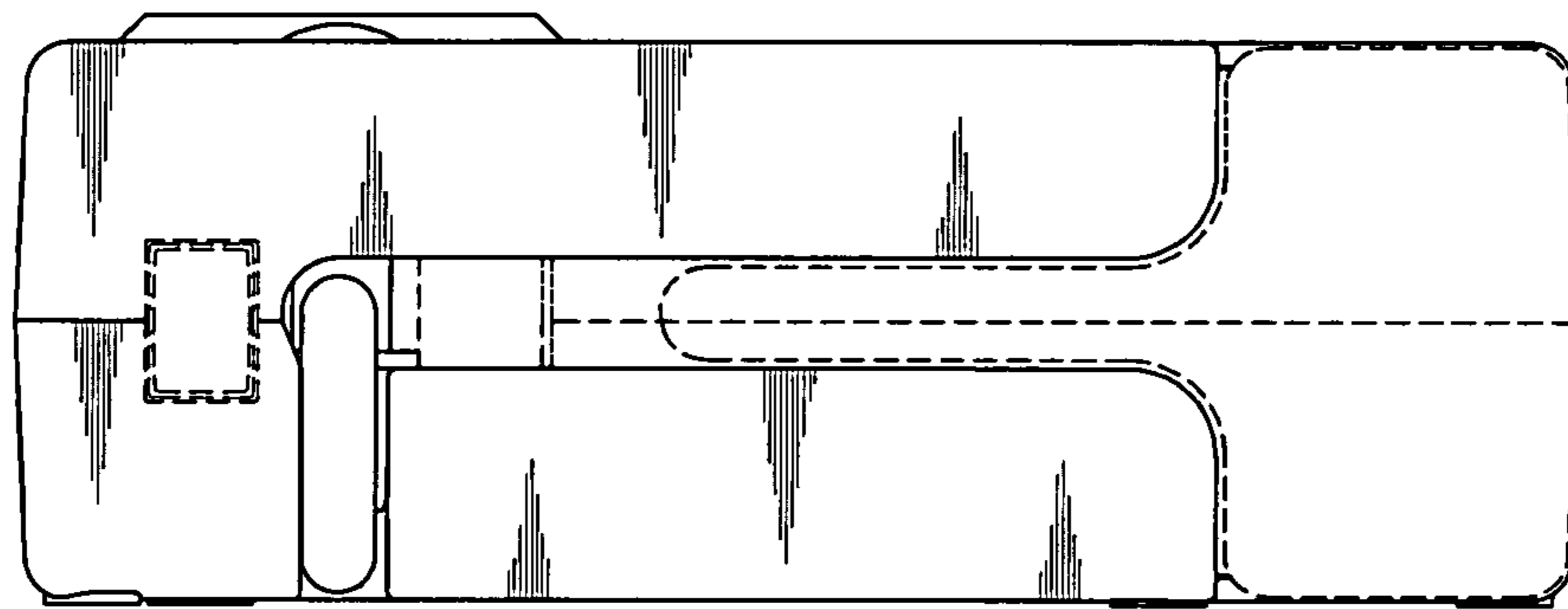


FIG.7