



US00D723586S

(12) **United States Design Patent**  
**Joo et al.**

(10) **Patent No.:** **US D723,586 S**  
(45) **Date of Patent:** **\*\* Mar. 3, 2015**

(54) **PORTABLE AUDIO DEVICE**

(56) **References Cited**

(71) Applicant: **Samsung Electronics Co., Ltd.**,  
Suwon-Si, Gyeonggi-Do (KR)  
(72) Inventors: **Son Chae Joo**, Seoul (KR); **Sungil Bang**, Seoul (KR); **Jae Neung Lee**,  
Ansan-si (KR)  
(73) Assignee: **Samsung Electronics Co., Ltd.**,  
Gyeonggi-do (KR)

U.S. PATENT DOCUMENTS

5,664,292	A *	9/1997	Chen	24/3.11
5,825,408	A *	10/1998	Yuyama et al.	348/14.01
5,914,707	A *	6/1999	Kono	345/173
6,565,444	B2 *	5/2003	Nagata et al.	463/46
D491,911	S *	6/2004	Jung	D14/203.7
D504,409	S *	4/2005	Kim	D14/203.3
D532,426	S *	11/2006	Lee et al.	D14/203.3
D546,347	S *	7/2007	Millora	D14/496
D552,127	S *	10/2007	Song	D14/496
D615,556	S *	5/2010	Yeo et al.	D14/496
D631,485	S *	1/2011	Hibino	D14/496
D639,773	S *	6/2011	Kang	D14/203.7

(\*\*) Term: **14 Years**

\* cited by examiner

(21) Appl. No.: **29/466,939**

*Primary Examiner* — Prabhakar Deshmukh

(22) Filed: **Sep. 13, 2013**

(74) *Attorney, Agent, or Firm* — Harness, Dickey & Pierce

(30) **Foreign Application Priority Data**

Mar. 13, 2013 (KR) ..... 30-2013-0012816

(51) **LOC (10) Cl.** ..... **14-03**

(52) **U.S. Cl.**  
USPC ..... **D14/496**

(58) **Field of Classification Search**  
CPC . A63F 13/00; A63F 11/00; A63F 2300/8047;  
G06F 17/00  
USPC ..... D14/496, 401, 435, 474, 483, 217, 137,  
D14/138, 160, 168, 356, 203.1–203.8, 507;  
345/156, 169, 173–179, 905;  
715/727–729, 864; 710/1, 5, 8; 713/1,  
713/600; 455/1.1, 1.7, 73, 344–347, 93, 95,  
455/3.01–3.06, 550.1, 573.1; 370/342–344;  
369/1, 2, 6–12; 463/43–47; 273/148 B

See application file for complete search history.

(57) **CLAIM**

The ornamental design for a portable audio device, as shown and described.

**DESCRIPTION**

FIG. 1 is a front perspective view of a portable audio device showing our new design;  
FIG. 2 is a front view thereof;  
FIG. 3 is a rear view thereof;  
FIG. 4 is a left-side view thereof;  
FIG. 5 is a right-side view thereof;  
FIG. 6 is a top view thereof;  
FIG. 7 is a bottom view thereof; and,  
FIG. 8 is a perspective view thereof, shown in closed condition.

**1 Claim, 6 Drawing Sheets**

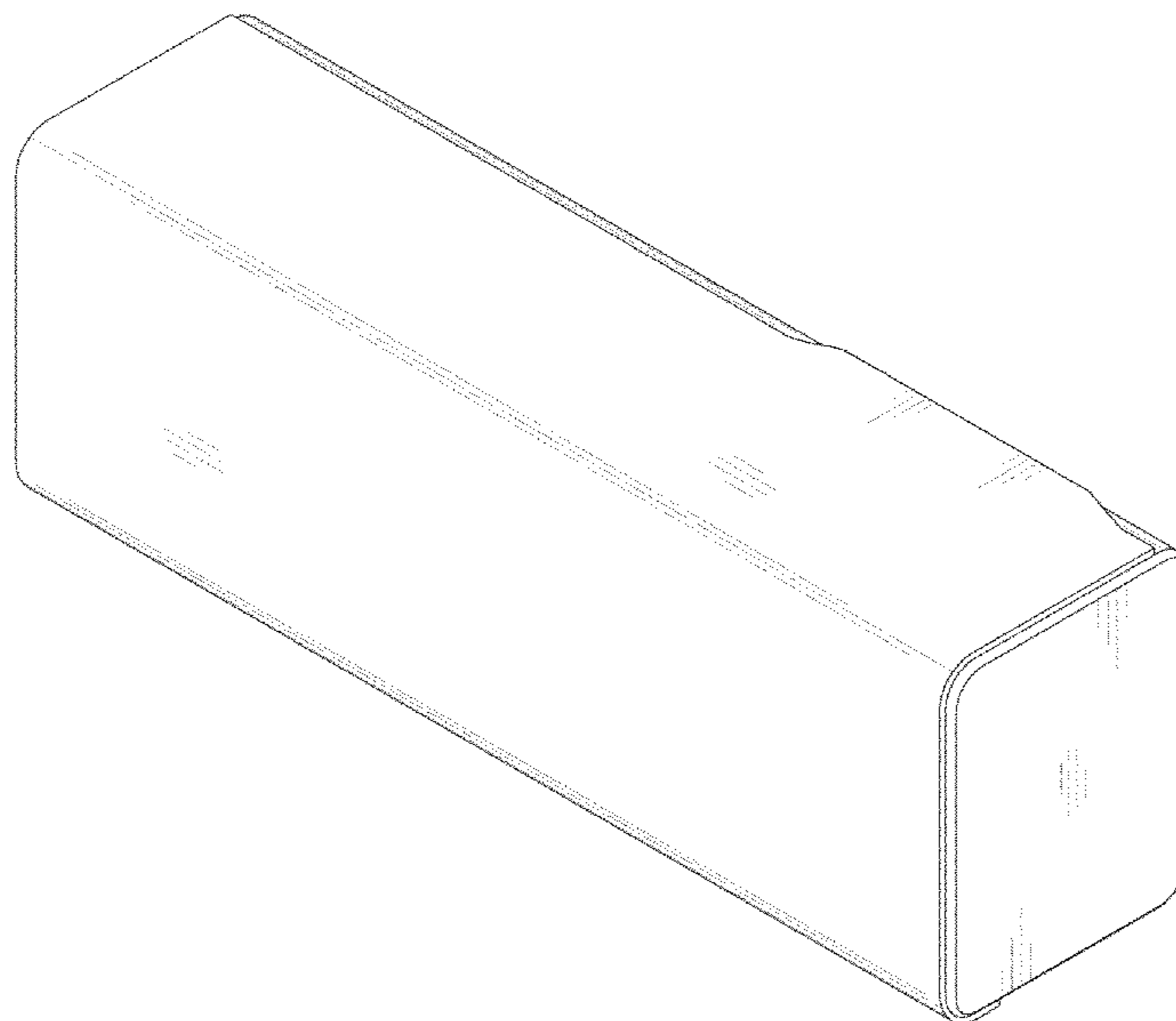


FIG.1

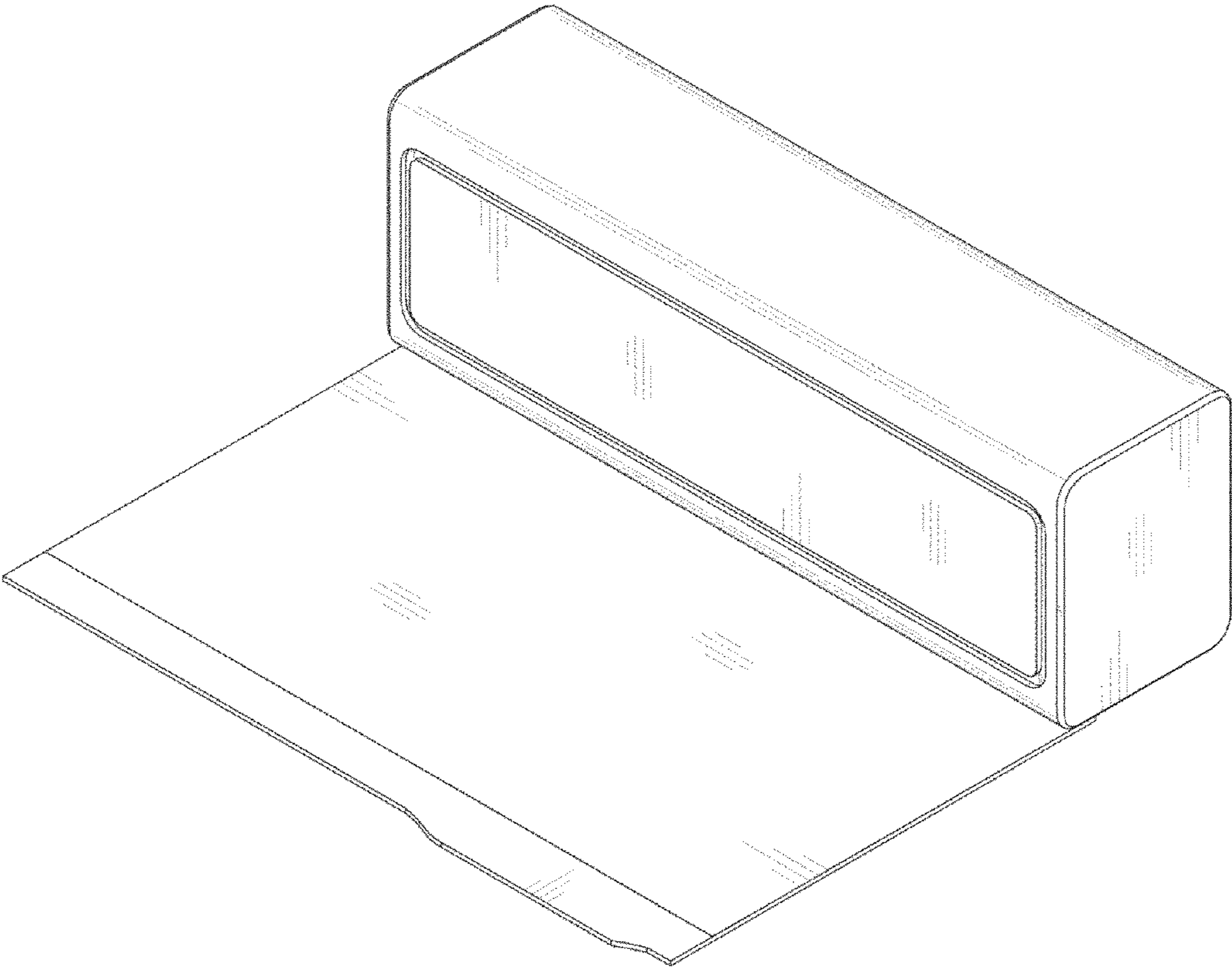


FIG.2

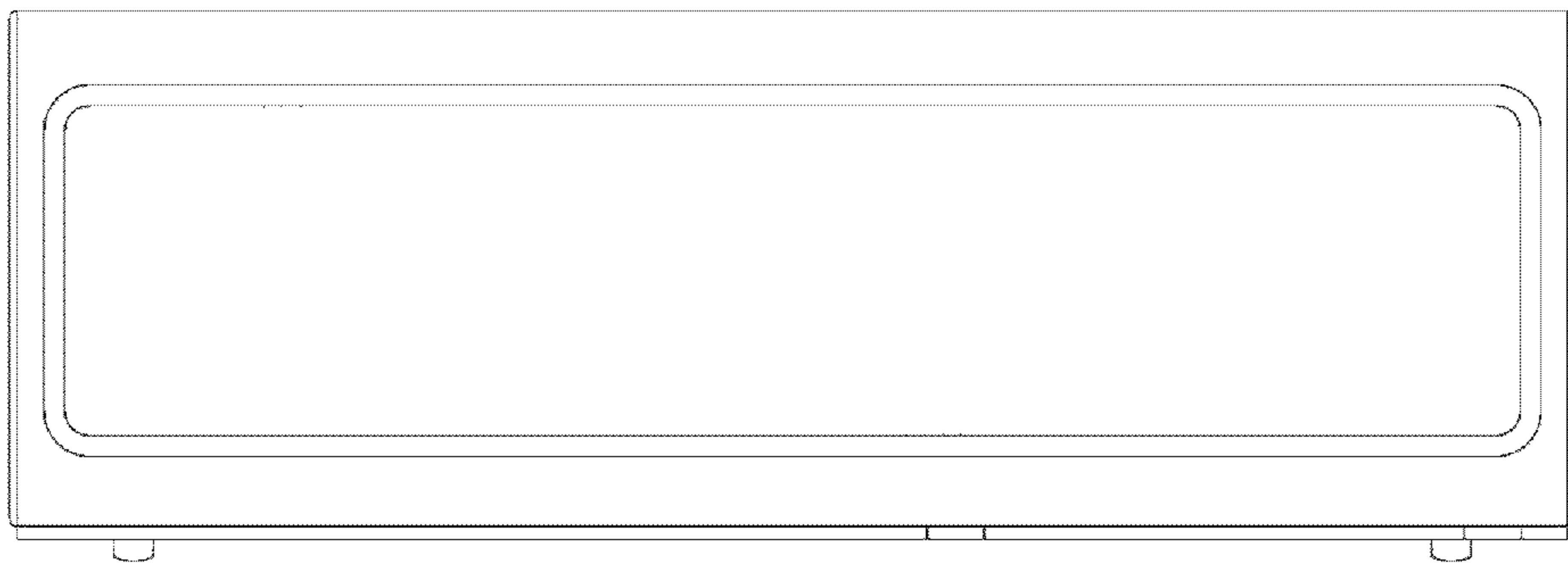


FIG.3



FIG.4

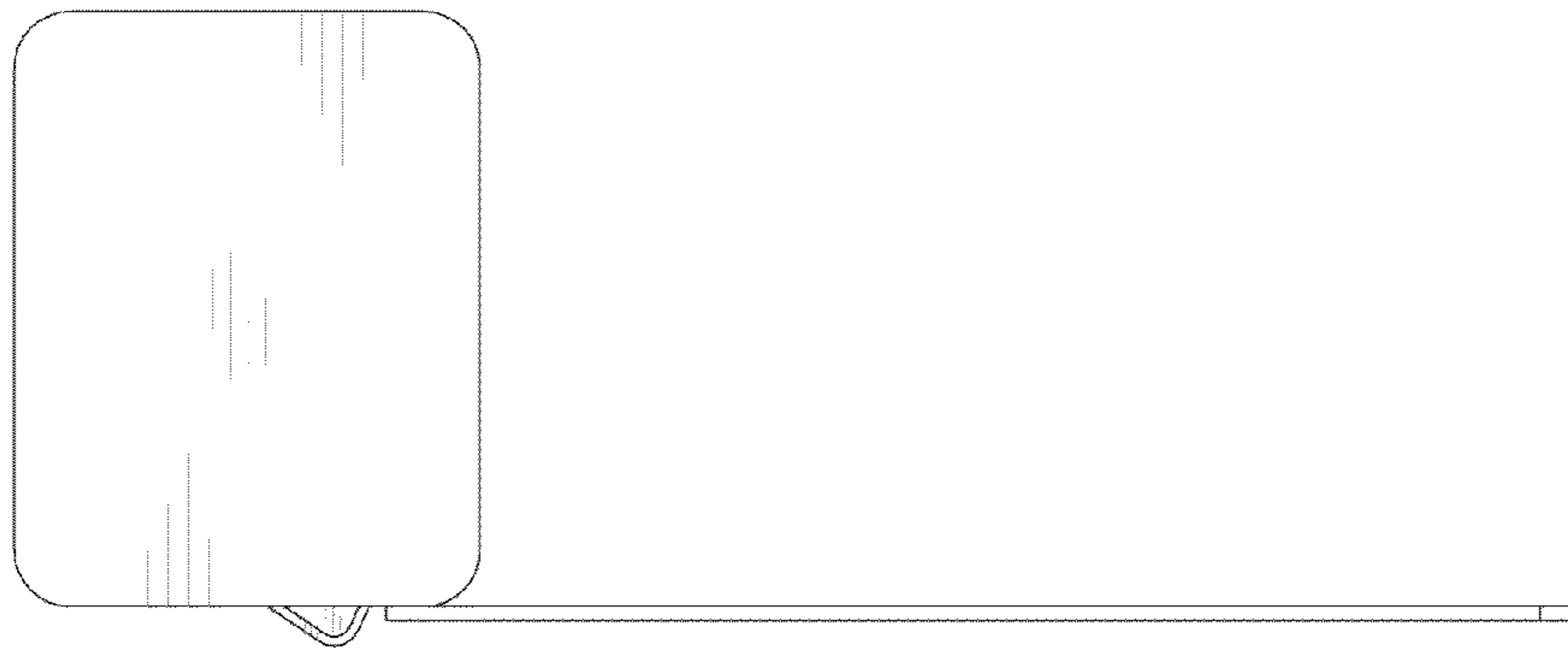


FIG.5



FIG.6



FIG.7

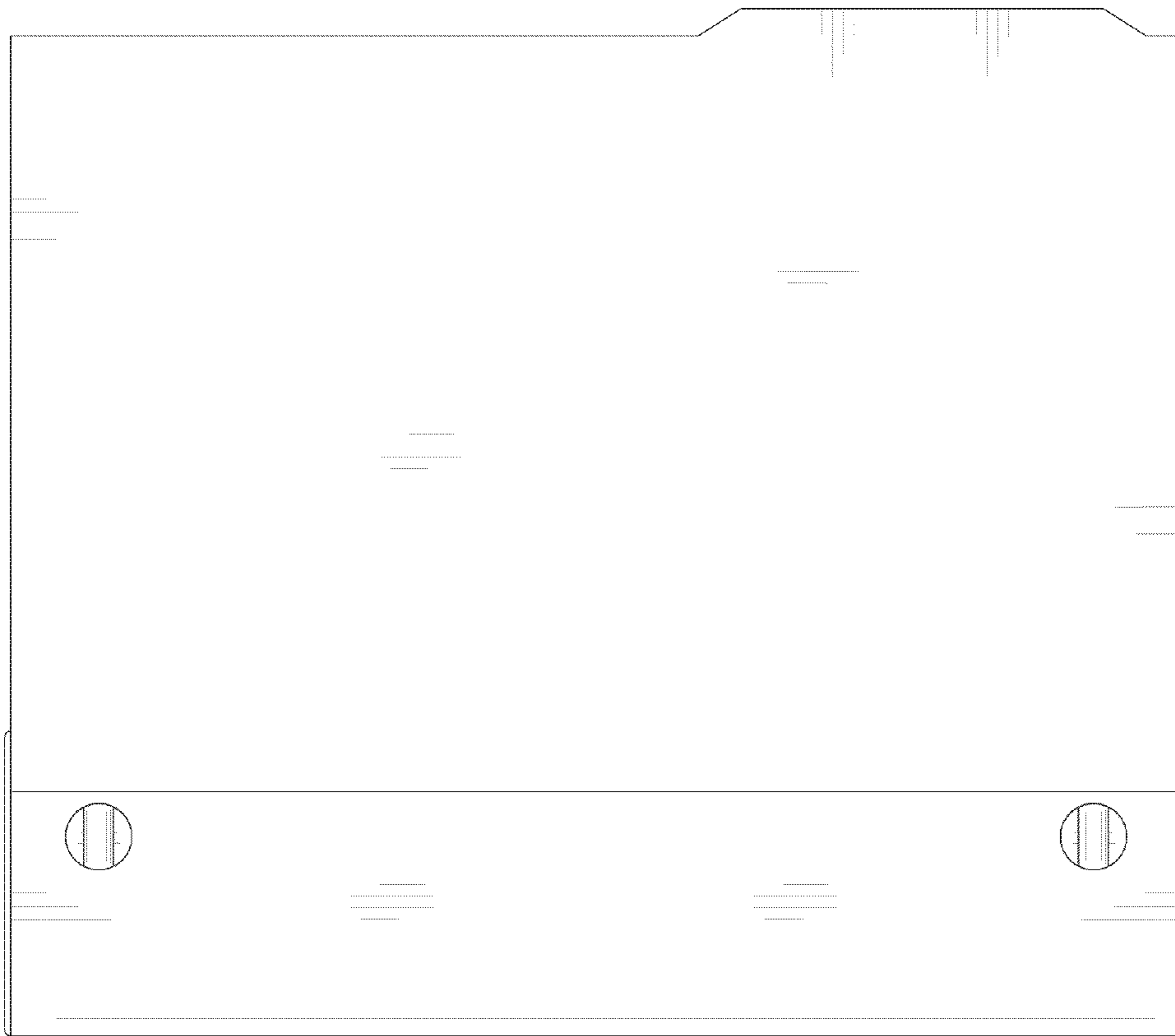


FIG.8

