



US00D723574S

(12) **United States Design Patent**  
**Yamazaki**

(10) **Patent No.:** **US D723,574 S**

(45) **Date of Patent:** **\*\* Mar. 3, 2015**

(54) **DISPLAY PANEL WITH INDICATOR FOR ELEVATOR**

(75) Inventor: **Satoshi Yamazaki**, Chiyoda-ku (JP)

(73) Assignee: **Mitsubishi Electric Corporation**, Tokyo (JP)

(\*\*) Term: **14 Years**

(21) Appl. No.: **29/408,047**

(22) Filed: **Dec. 6, 2011**

(30) **Foreign Application Priority Data**

Jun. 7, 2011 (JP) ..... 2011-012887

(51) **LOC (10) Cl.** ..... **14-04**

(52) **U.S. Cl.**  
USPC ..... **D14/485**

(58) **Field of Classification Search**  
USPC ..... D10/108; D13/162, 162.1;  
D14/485-495, 198, 383, 388-390;  
187/389-391, 396-397, 380; D18/6-7  
See application file for complete search history.

(56) **References Cited**

**U.S. PATENT DOCUMENTS**

6,161,654	A *	12/2000	Sirigu et al. ....	187/391
D521,521	S *	5/2006	Jewitt et al. ....	D14/487
D550,233	S *	9/2007	Vigesaa ....	D14/487
D597,037	S *	7/2009	Lampropoulos et al. ....	D13/162
D638,373	S *	5/2011	Windstrup ....	D13/162
8,069,957	B2 *	12/2011	Miyajima et al. ....	187/391
D656,853	S *	4/2012	Matsuda ....	D10/108
D661,314	S *	6/2012	Marchetti ....	D14/489
D667,745	S *	9/2012	Wu ....	D10/108
D669,497	S *	10/2012	Lee et al. ....	D14/489

D676,457	S *	2/2013	Frost et al. ....	D14/488
D690,322	S *	9/2013	Matas et al. ....	D14/492
D690,717	S *	10/2013	Thomsen et al. ....	D14/485
D697,518	S *	1/2014	Thomsen et al. ....	D14/485
D701,515	S *	3/2014	Matas et al. ....	D14/486
D701,869	S *	4/2014	Matas et al. ....	D14/486
D703,690	S *	4/2014	MacCubbin et al. ....	D14/488

\* cited by examiner

*Primary Examiner* — Eric Goodman

*Assistant Examiner* — John Reickel

(74) *Attorney, Agent, or Firm* — Sughrue Mion, PLLC

(57) **CLAIM**

The ornamental design for a display panel with indicator for elevator, as shown and described.

**DESCRIPTION**

FIG. 1 is a front, top and right side perspective view of an display panel with indicator for elevator, showing my new design;

FIG. 2 is a front elevational view thereof;

FIG. 3 is a rear elevational view thereof;

FIG. 4 is a right side elevational view thereof;

FIG. 5 is a top plan view thereof;

FIG. 6 is an alternate front elevational view showing the changed state 1; and,

FIG. 7 is another alternate front elevational view showing the changed state 2.

The broken lines in all views are shown for the purpose of illustrating portions of the article and form no part of the claimed design. The alternate long and short dash lines in all views which define the bounds of the claimed design form no part thereof.

**1 Claim, 6 Drawing Sheets**

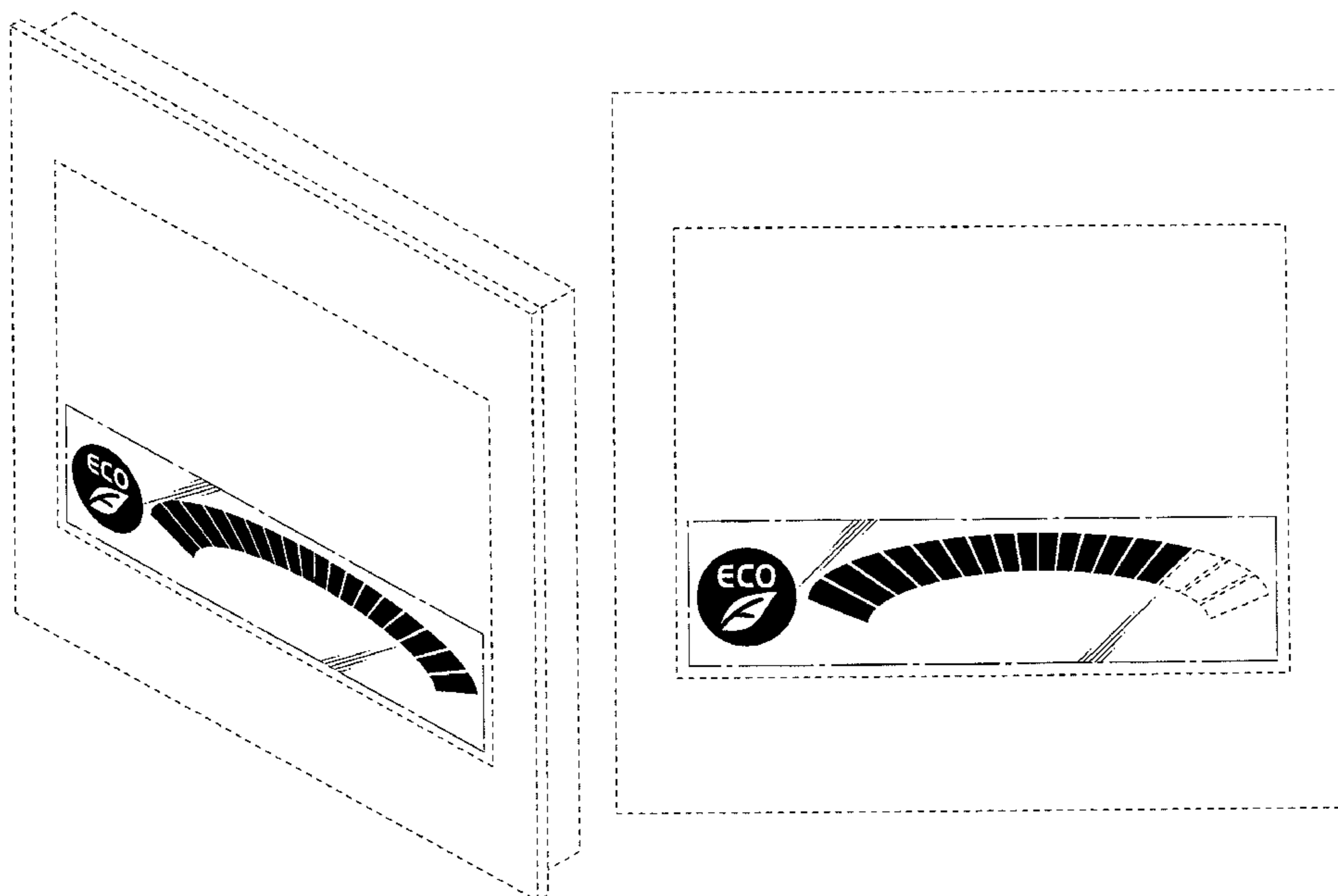


Fig. 1

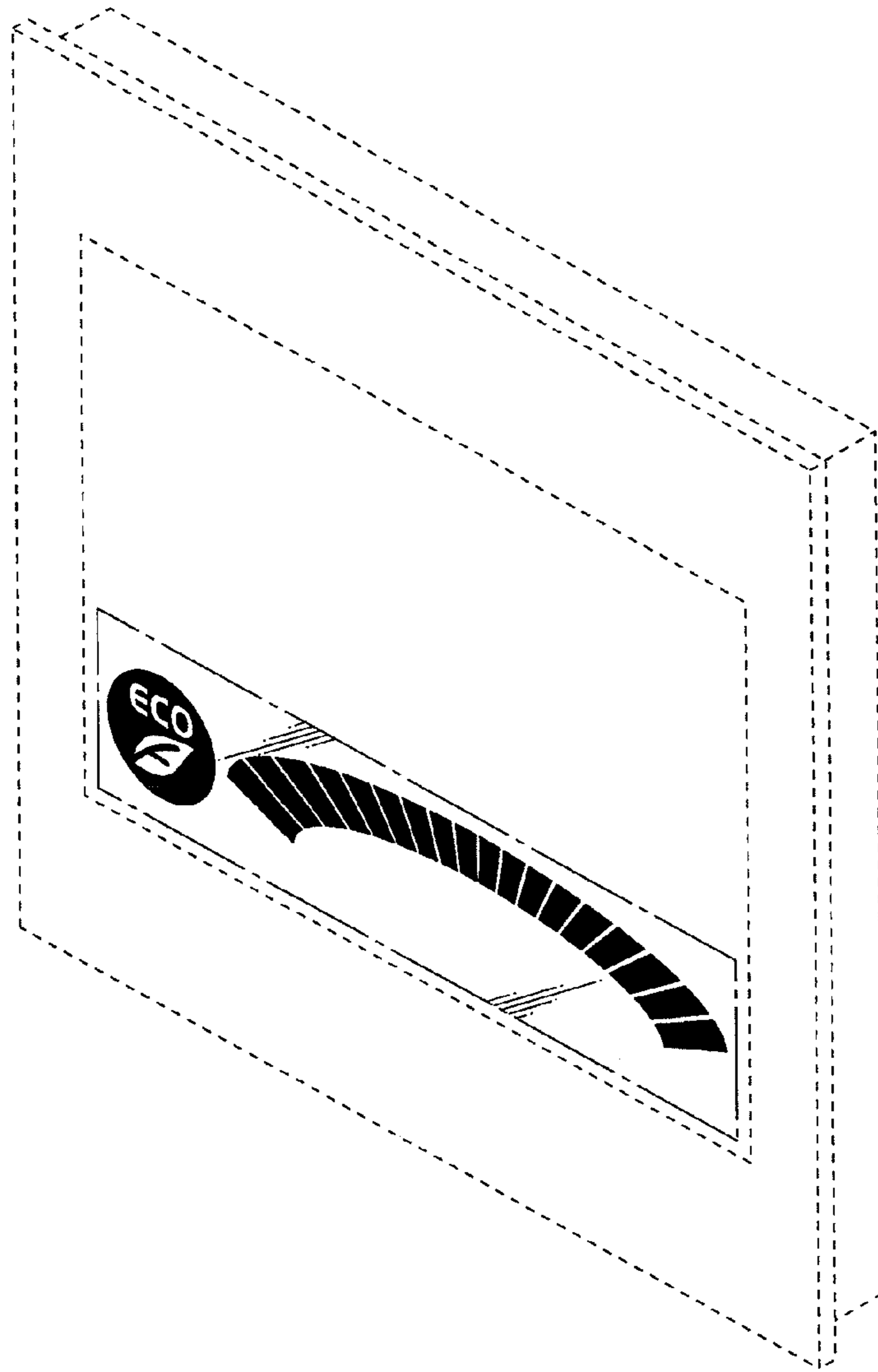


Fig. 2

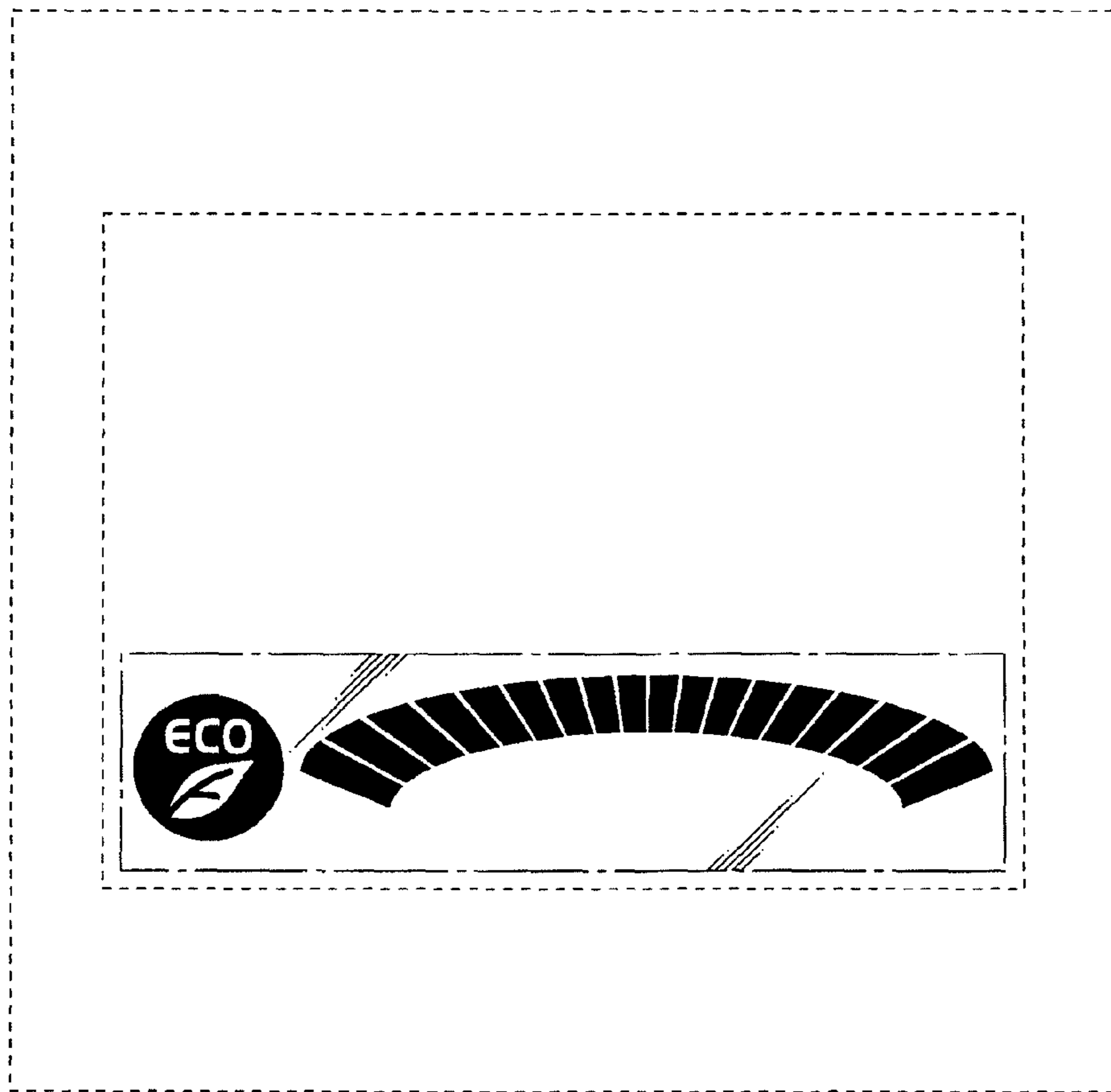


Fig. 3

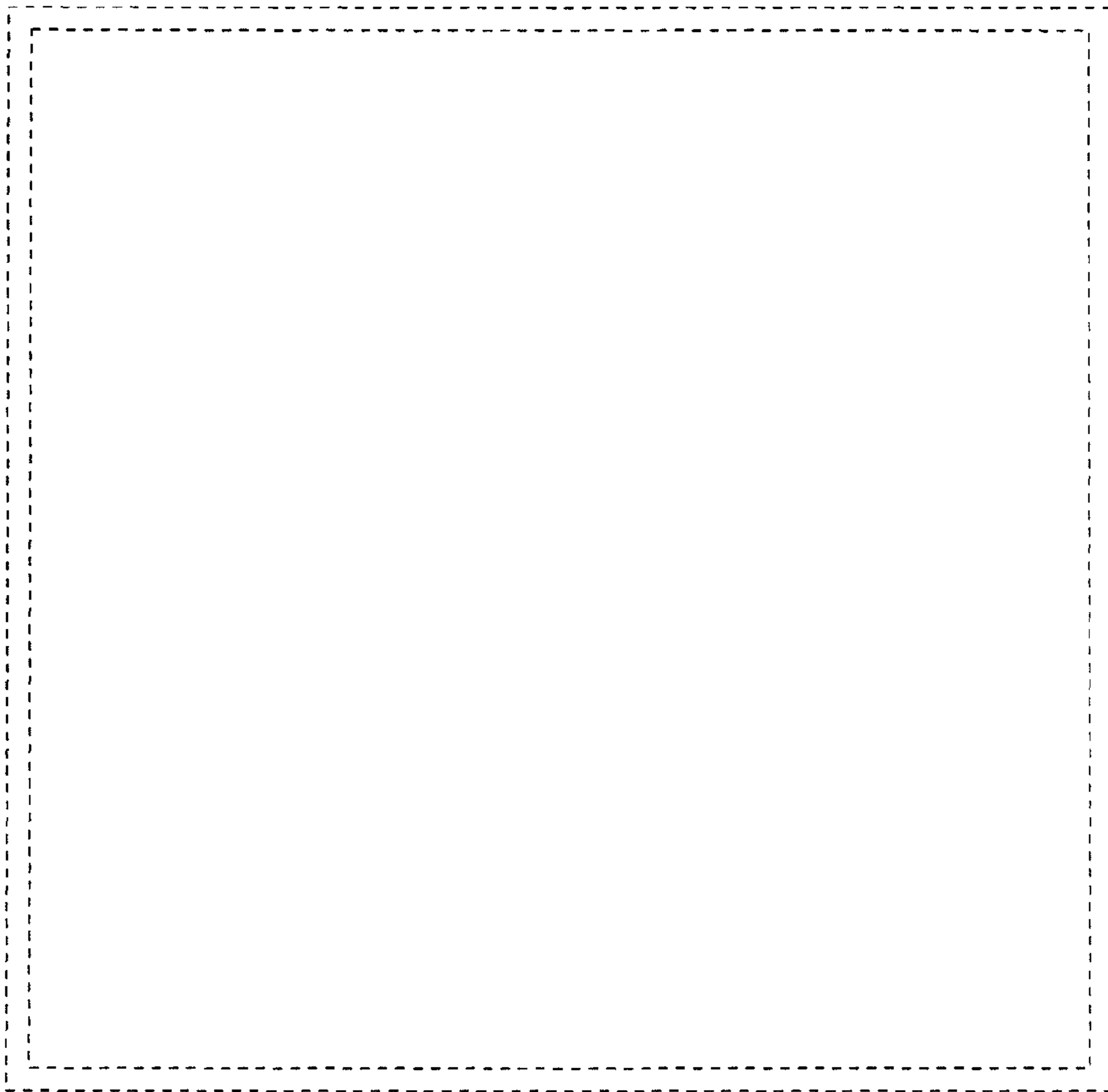


Fig. 4

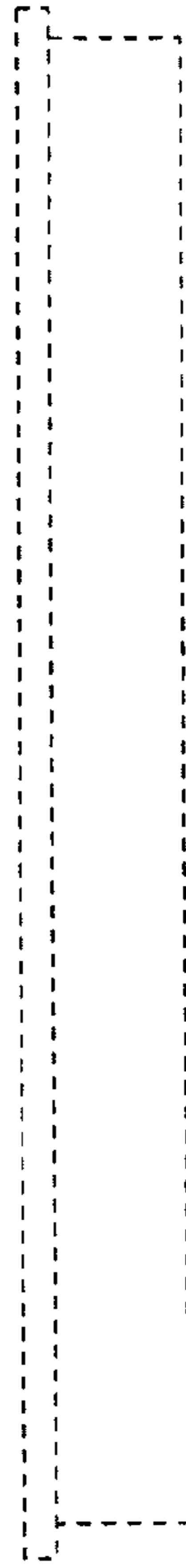


Fig. 5



Fig. 6

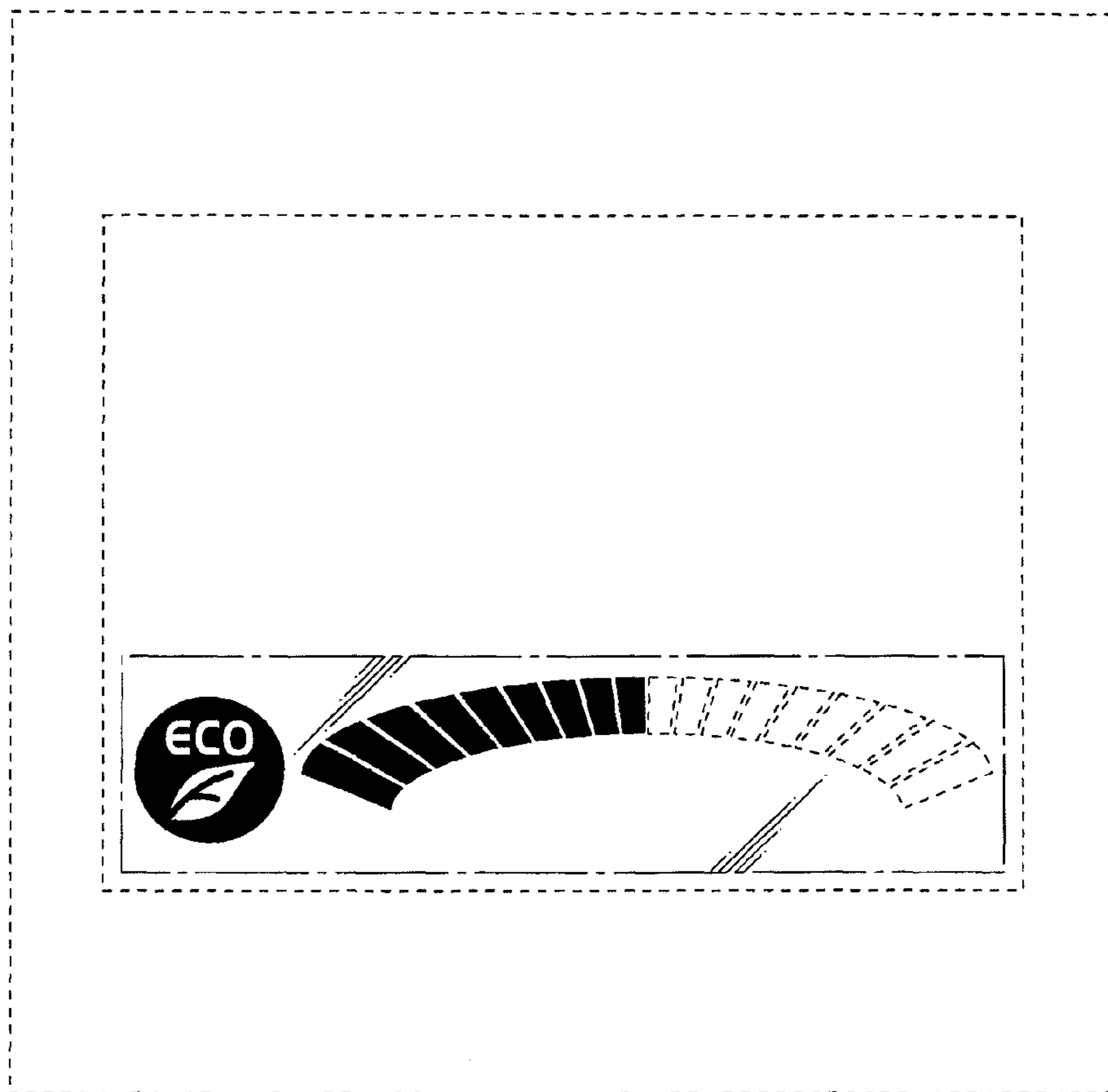


Fig. 7

