

US00D723572S

(12) **United States Design Patent**
Akana et al.

(10) **Patent No.:** **US D723,572 S**
(45) **Date of Patent:** **** Mar. 3, 2015**

(54) **STAND**

(71) Applicant: **Apple Inc.**, Cupertino, CA (US)

(72) Inventors: **Jody Akana**, San Francisco, CA (US);
Bartley K. Andre, Menlo Park, CA (US);
Jeremy Bataillou, San Francisco, CA (US);
Daniel J. Coster, San Francisco, CA (US);
Daniele De Iuliis, San Francisco, CA (US);
M. Evans Hankey, San Francisco, CA (US);
Julian Hoenig, San Francisco, CA (US);
Richard P. Howarth, San Francisco, CA (US);
Jonathan P. Ive, San Francisco, CA (US);
Duncan Robert Kerr, San Francisco, CA (US);
Shin Nishibori, Kailua, HI (US);
Matthew Dean Rohrbach, San Francisco, CA (US);
Peter Russell-Clarke, San Francisco, CA (US);
Christopher J. Stringer, Woodside, CA (US);
Eugene Antony Whang, San Francisco, CA (US);
Rico Zorkendorfer, San Francisco, CA (US)

(73) Assignee: **Apple Inc.**, Cupertino, CA (US)

(**) Term: **14 Years**

(21) Appl. No.: **29/440,918**

(22) Filed: **Dec. 28, 2012**

Related U.S. Application Data

(63) Continuation of application No. 29/391,723, filed on May 12, 2011, now Pat. No. Des. 673,571.

(51) **LOC (10) Cl.** **08-07**

(52) **U.S. Cl.**
USPC **D14/447**

(58) **Field of Classification Search**
USPC D14/447, 432, 434, 433, 439, 440, 448,
D14/451, 452, 457, 460, 217, 239, 238.1,
D14/250, 251, 253, 203.8, 341; D13/107,
D13/108; D3/218; D6/406.1, 406.3, 406.4,

D6/406.5, 406.6, 419, 420, 429, 396, 449,
D6/466, 467, 471; 361/679.02, 679.09,
361/679.19, 679.21, 679.22, 679.23,
361/679.26, 679.27, 679.3, 679.55, 679.56,
361/679.6; 248/917-924, 136, 150, 152,
248/153, 371, 166, 176.1, 176.3, 188.6,
248/676, 678, 441.1, 444.1, 447, 447.1,
248/447.2, 451, 454, 455, 456, 460, 463,
248/465.1

See application file for complete search history.

(56) **References Cited**

U.S. PATENT DOCUMENTS

D295,748 S 5/1988 Day et al.
D318,961 S 8/1991 Edelson
D338,685 S 8/1993 Dakich

(Continued)

Primary Examiner — Angela J Lee

(74) *Attorney, Agent, or Firm* — Sterne, Kessler,
Goldstein & Fox P.L.L.C.

(57) **CLAIM**

The ornamental design for a stand, as shown and described.

DESCRIPTION

FIG. 1 is a front perspective view of a stand showing our new design;

FIG. 2 is a top plan view thereof;

FIG. 3 is a bottom plan view thereof;

FIG. 4 is a front view thereof;

FIG. 5 is a rear view thereof;

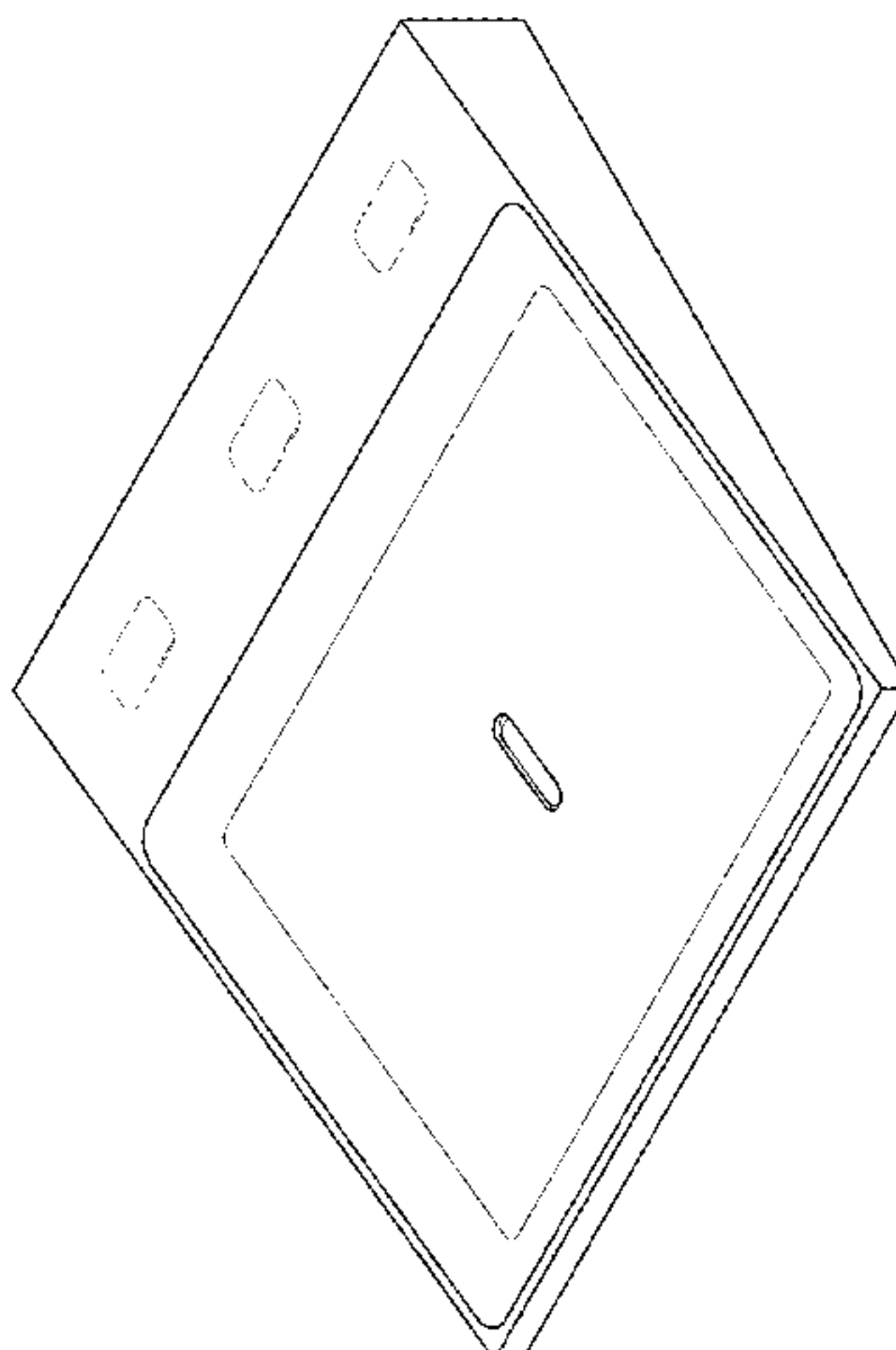
FIG. 6 is a side profile view thereof taken along the vertical center of FIG. 2; and,

FIG. 7 is a side view thereof, the other side view being a mirror image thereof.

The shade lines in the Figures show contour and not surface ornamentation.

The broken lines in the Figures show portions of the stand which form no part of the claimed design.

1 Claim, 5 Drawing Sheets



(56)

References Cited

U.S. PATENT DOCUMENTS

| | | | | | |
|--------------|---------|-----------------------|--------------|---------|-------------------------------|
| D339,537 S | 9/1993 | Willnauer et al. | D623,188 S | 9/2010 | Son et al. |
| 5,280,229 A | 1/1994 | Faude et al. | D626,129 S | 10/2010 | Lutz |
| D392,474 S | 3/1998 | Frasketi | D637,601 S * | 5/2011 | Symons D14/447 |
| D392,958 S | 3/1998 | Gaete | D639,267 S * | 6/2011 | DeLorenzo et al. D14/142 |
| D414,166 S | 9/1999 | De Paris | D642,121 S | 7/2011 | Lee et al. |
| D442,939 S | 5/2001 | Goldenburg | D642,172 S | 7/2011 | Akana et al. |
| D450,707 S | 11/2001 | Francavilla et al. | D651,606 S | 1/2012 | Luijben |
| D483,771 S | 12/2003 | Esswein | D661,308 S | 6/2012 | Capozzoli |
| D488,440 S | 4/2004 | Senda | D673,571 S * | 1/2013 | Akana et al. D14/447 |
| D555,655 S * | 11/2007 | Iu D14/447 | D673,572 S | 1/2013 | Akana et al. |
| D583,821 S * | 12/2008 | Richter D14/447 | D687,441 S * | 8/2013 | Janzen D14/447 |
| D596,618 S | 7/2009 | Zha | D688,671 S * | 8/2013 | Avganim D14/447 |
| D599,792 S | 9/2009 | Lin | D690,137 S * | 9/2013 | Kikkert et al. D6/672 |
| | | | D690,138 S * | 9/2013 | Kikkert et al. D6/672 |
| | | | D692,420 S * | 10/2013 | McManigal et al. D14/341 |
| | | | D708,270 S * | 7/2014 | Heirakuji et al. D20/43 |

* cited by examiner

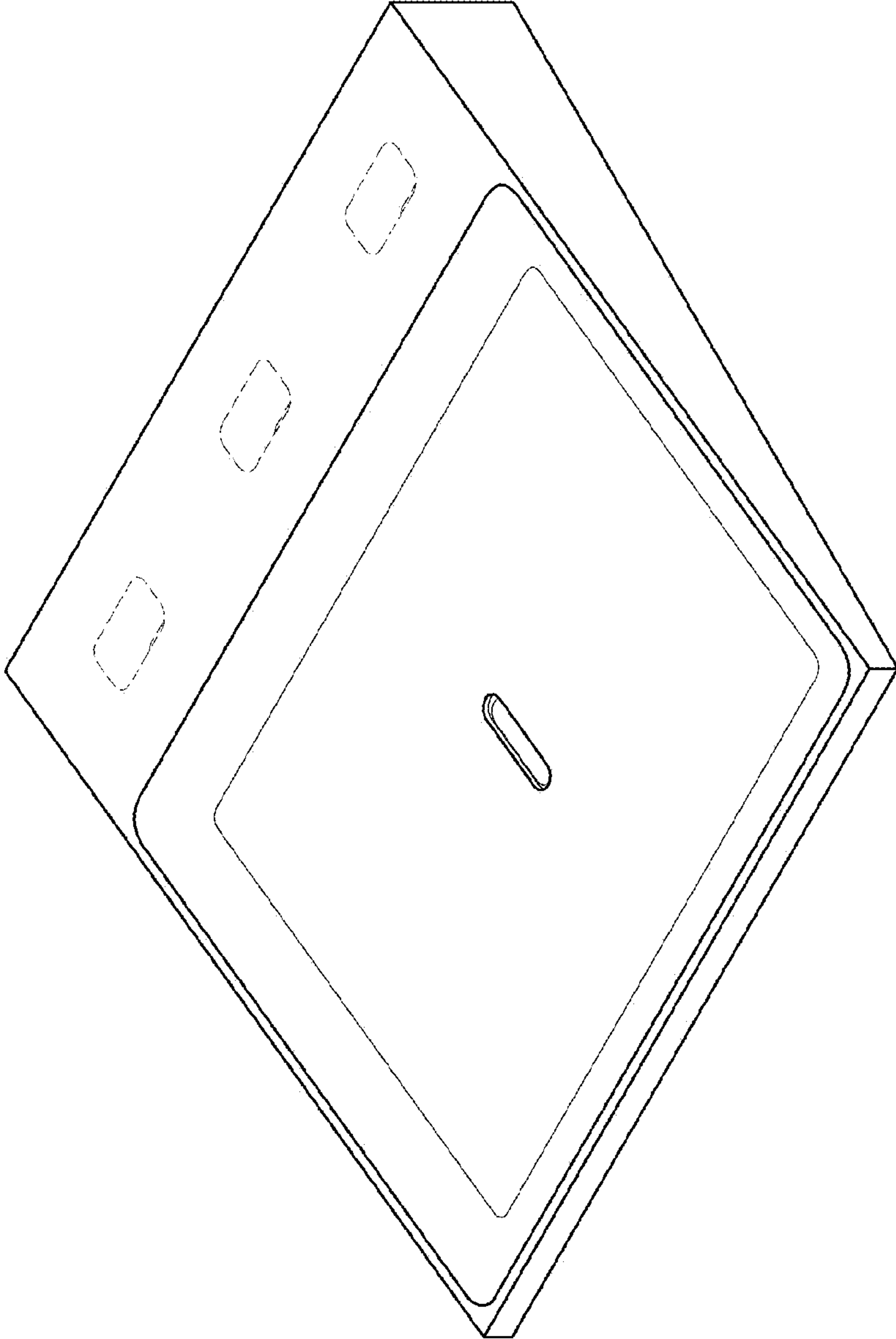


FIG. 1

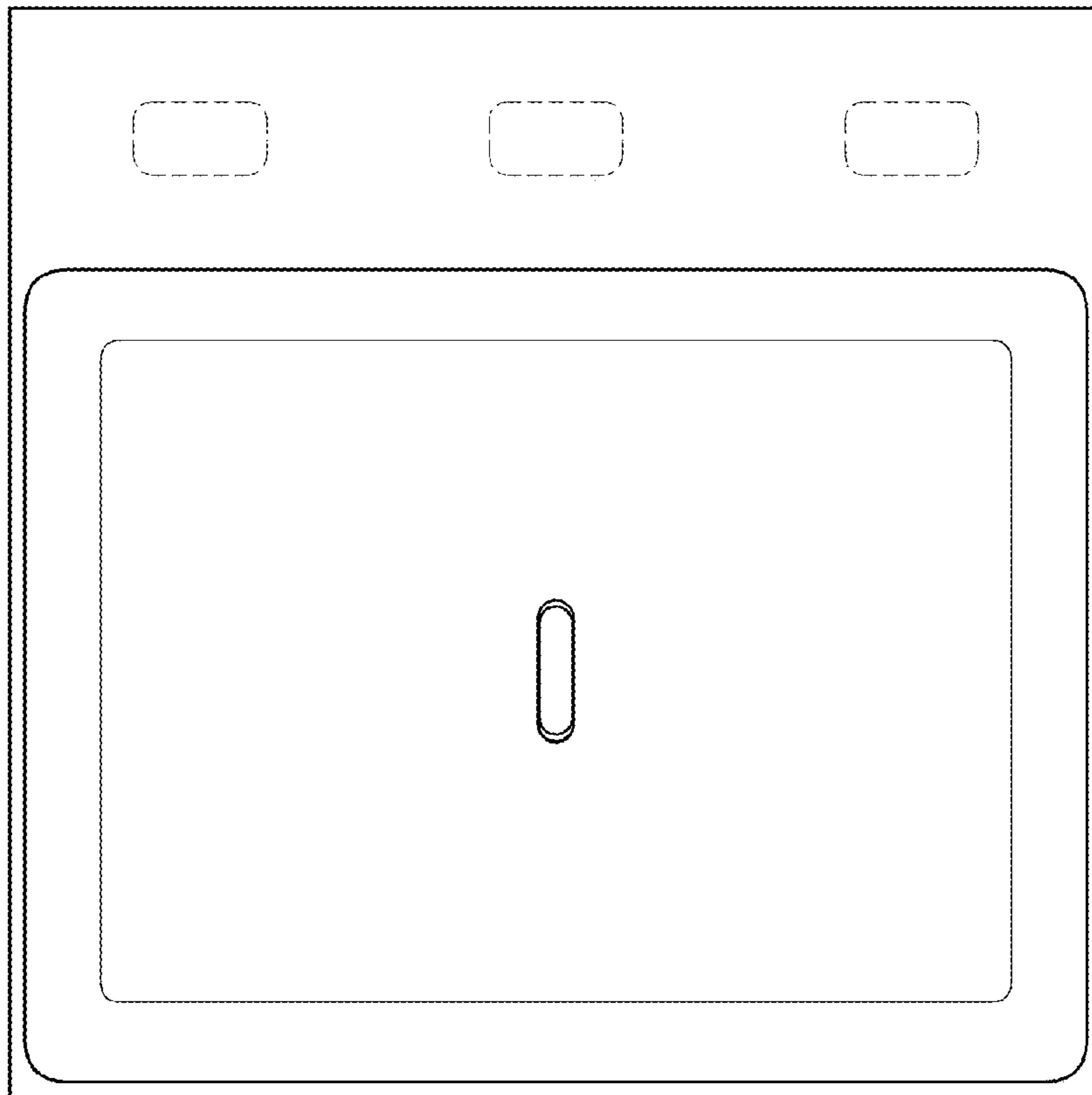


FIG. 2

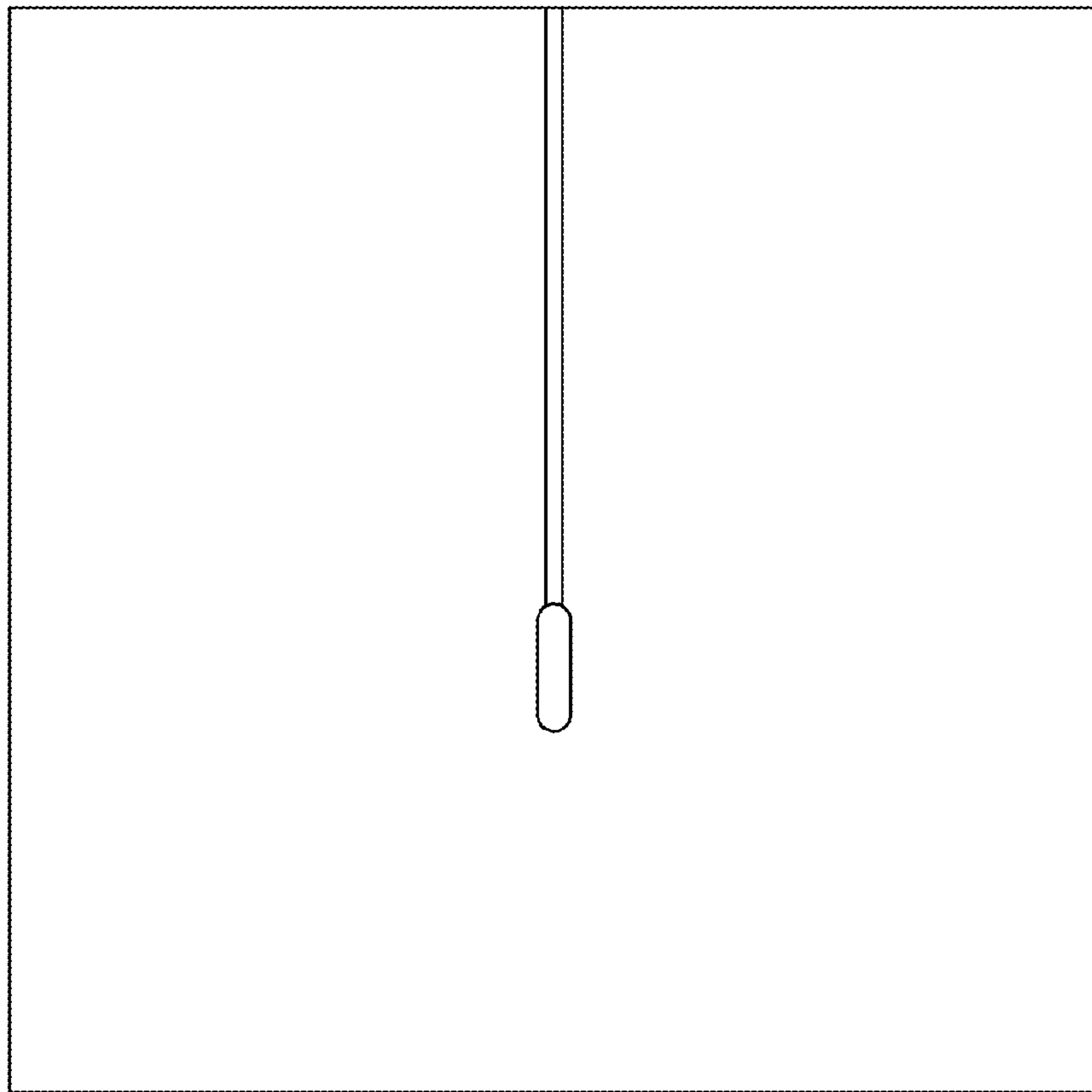


FIG. 3

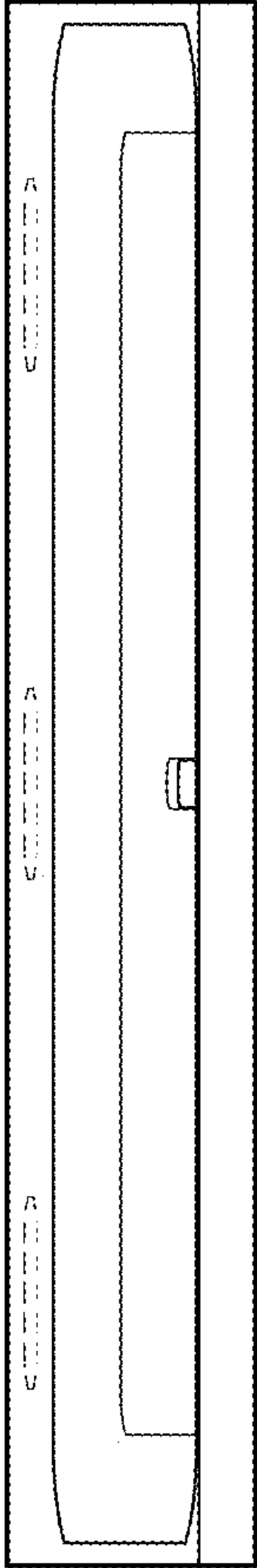


FIG. 4

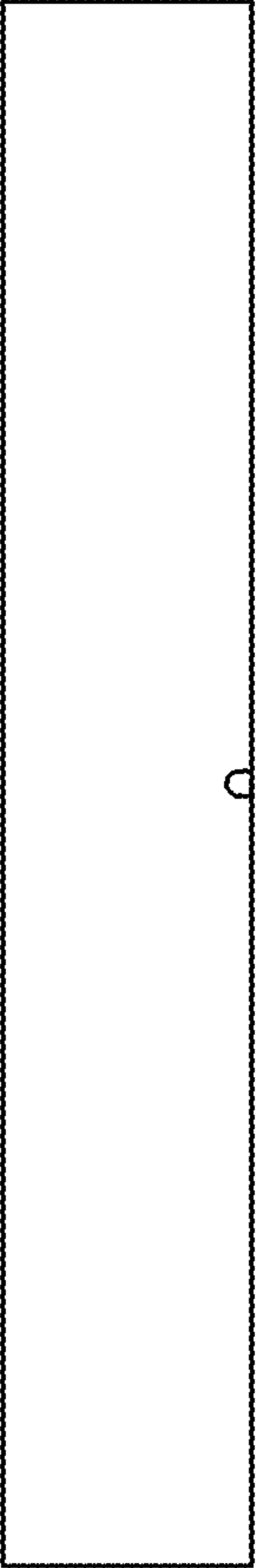


FIG. 5

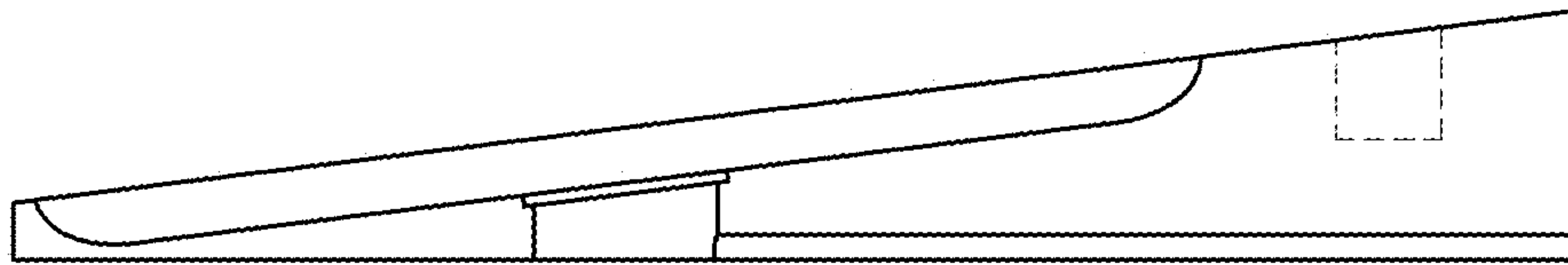


FIG. 6

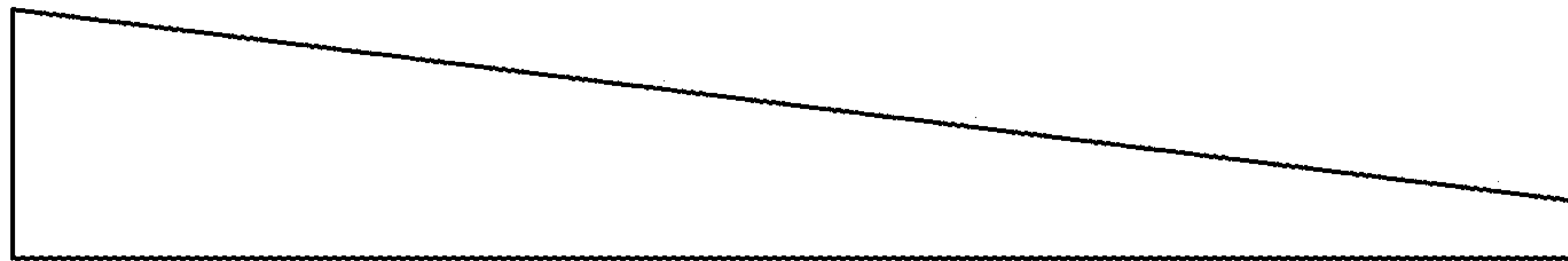


FIG. 7