



US00D723571S

(12) **United States Design Patent**  
**Feng**

(10) **Patent No.:** **US D723,571 S**  
(45) **Date of Patent:** **\*\* Mar. 3, 2015**

(54) **COMPUTER TABLET HOLDER AND PEN  
HOLDER FOR A SQUARE STORAGE  
OTTOMAN LID**

(71) Applicant: **Wu Jian Feng**, Guangdong (CN)

(72) Inventor: **Wu Jian Feng**, Guangdong (CN)

(\*\*) Term: **14 Years**

(21) Appl. No.: **29/439,941**

(22) Filed: **Dec. 17, 2012**

(51) **LOC (10) Cl.** ..... **08-07**

(52) **U.S. Cl.**  
USPC ..... **D14/447**

(58) **Field of Classification Search**  
USPC ..... D14/447, 432, 434, 439, 440, 451, 452,  
D14/457, 460, 461, 238.1, 250, 251, 253;  
D3/218; D6/406.3, 406.4, 406.5,  
D6/406.6, 336, 338, 349, 352, 353, 664,  
D6/686; 248/444, 441.1, 188.6, 917-924;  
361/679.02, 679.03, 679.04, 679.09,  
361/679.21, 679.26, 679.27, 679.3, 679.55,  
361/679.56

See application file for complete search history.

(56) **References Cited**

**U.S. PATENT DOCUMENTS**

D367,834 S *	3/1996	Beavers et al.	.....	D12/133
D461,061 S *	8/2002	Kent	.....	D6/336
D519,121 S *	4/2006	Zamanian	.....	D14/447
D598,920 S *	8/2009	Fujino et al.	.....	D14/447
D610,818 S *	3/2010	Crane	.....	D6/349
D611,898 S *	3/2010	Yang	.....	D13/108
D637,599 S *	5/2011	Liao	.....	D14/447

(Continued)

*Primary Examiner* — Angela J Lee

(74) *Attorney, Agent, or Firm* — Michael D. Eisenberg

(57) **CLAIM**

The ornamental design for a computer tablet holder and pen holder for a square storage ottoman lid, as shown and described.

**DESCRIPTION**

FIG. 1 is a perspective view of a square ottoman and lid constituting an environment for a computer tablet holder and pen holder;

FIG. 2 is an exploded front view of the computer tablet holder and pen holder attached to an underside of a lid of a square storage ottoman;

FIG. 3 is a left side exploded view of the computer tablet holder and pen holder attached to an underside of a lid of a square storage ottoman;

FIG. 4 is a top view of the square ottoman constituting an environment for the computer tablet holder and pen holder;

FIG. 5 is a right side view of the computer tablet holder and pen holder attached to an underside of a lid of a square storage ottoman;

FIG. 6 is a rear exploded view of the computer tablet holder and pen holder attached to an underside of a lid of a square storage ottoman;

FIG. 7 is a top view of the square ottoman constituting an environment for the computer tablet holder and pen holder;

FIG. 8 is a top view of the computer tablet holder and pen holder attached to the underside of the lid of the square ottoman;

FIG. 9 is a top view, with the lid removed, depicting the inside of the square ottoman constituting an environment for a computer tablet holder and pen holder.

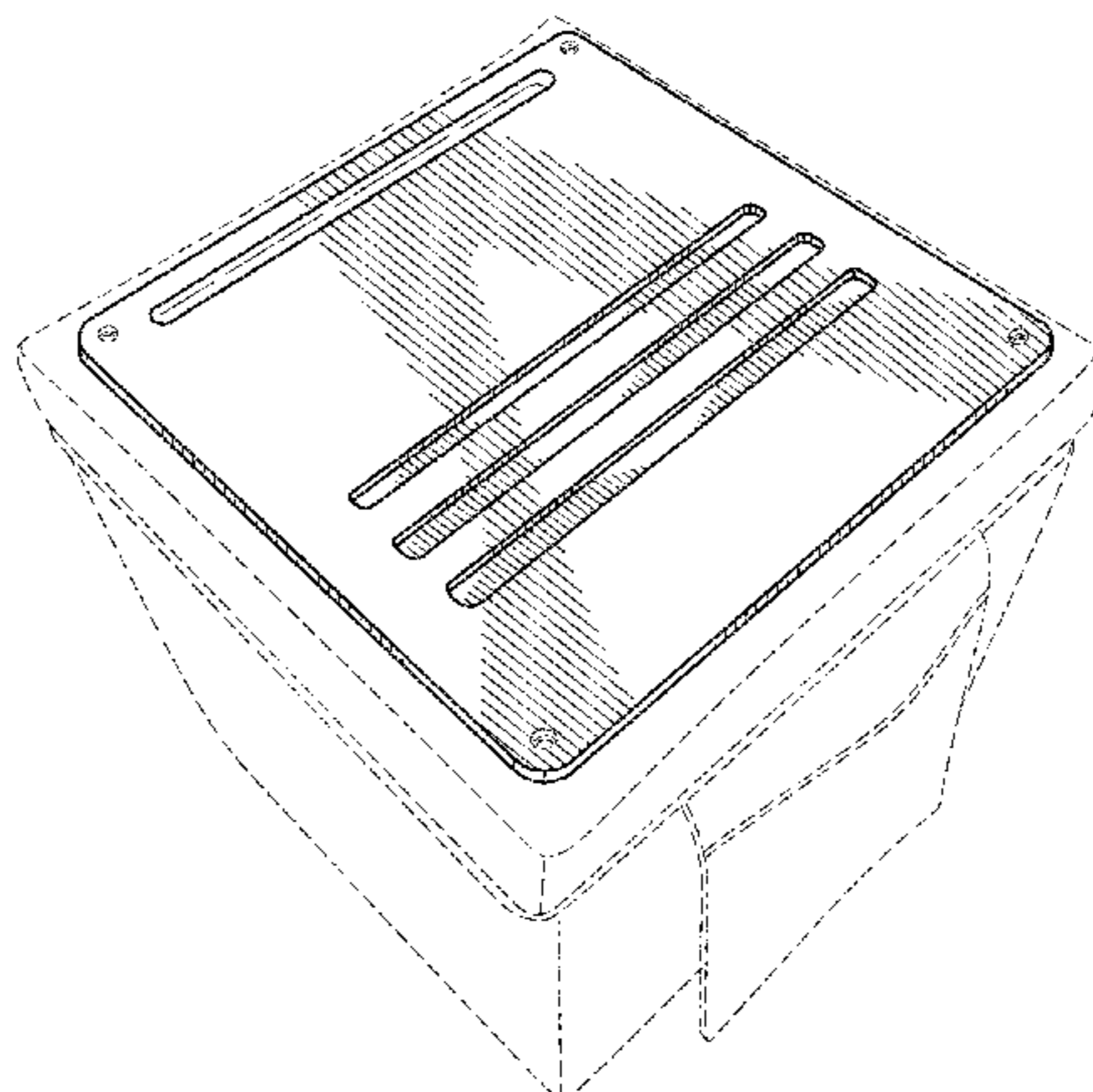
FIG. 10 is a perspective view of the computer tablet holder and pen holder attached to the underside of the lid of the square ottoman;

FIG. 11 is a sectional view through the line 11'-11' in FIG. 8, of the computer tablet holder and pen holder attached to the underside of the lid of the square ottoman and lid constituting an environment for the computer tablet holder and pen holder; and,

FIG. 12 is a bottom view of the computer tablet holder and pen holder.

The broken lines shown are for illustrative purposes only and form no part of the claimed design.

**1 Claim, 7 Drawing Sheets**



(56)

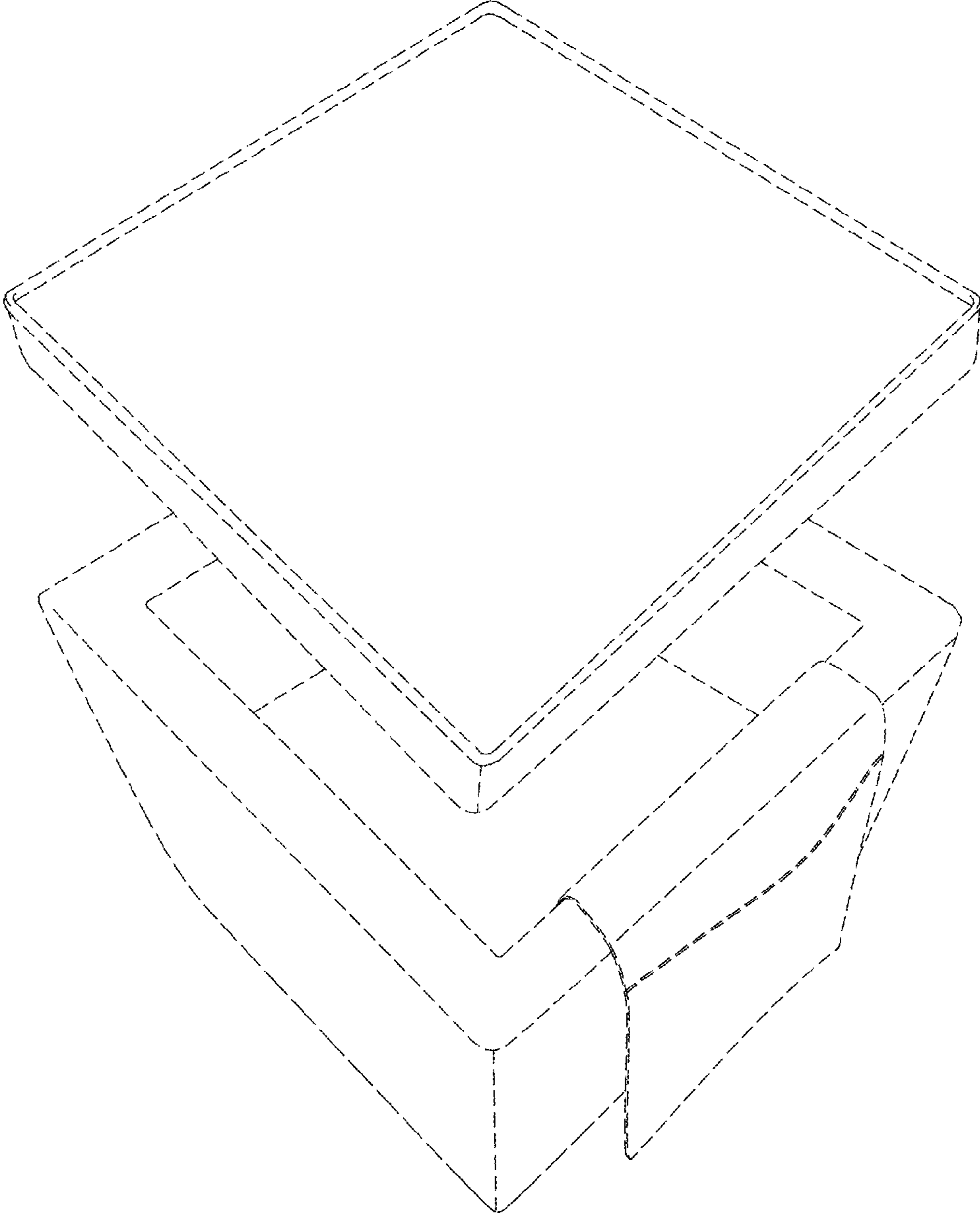
**References Cited**

U.S. PATENT DOCUMENTS

D653,043 S \* 1/2012 Rumley ..... D6/338  
D686,595 S \* 7/2013 Andre et al. .... D14/217

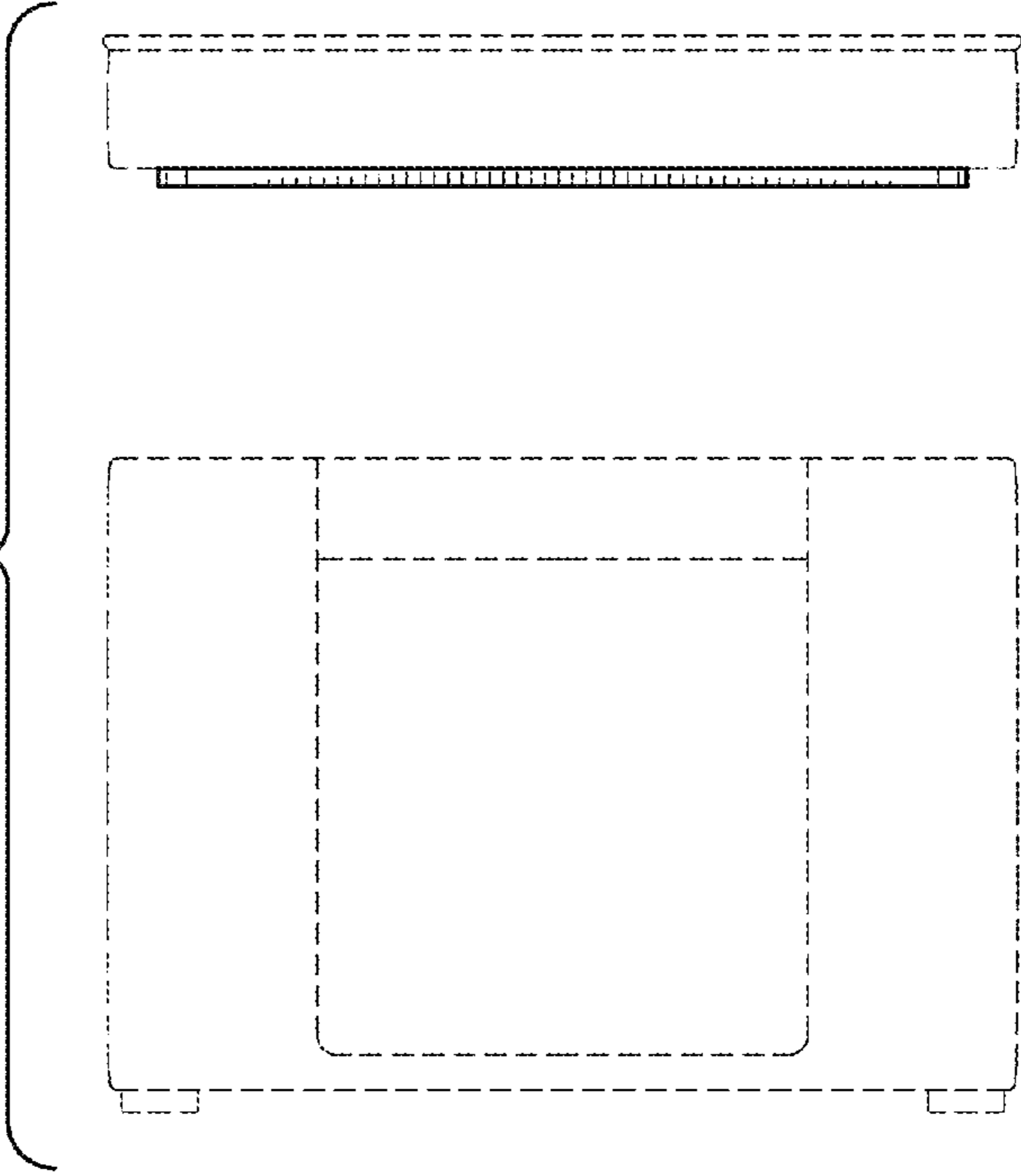
D696,260 S \* 12/2013 Merea ..... D14/447  
D699,245 S \* 2/2014 Lee et al. .... D14/447  
D701,213 S \* 3/2014 Pajic ..... D14/447  
2004/0262485 A1\* 12/2004 Marceau et al. .... 248/346.01

\* cited by examiner

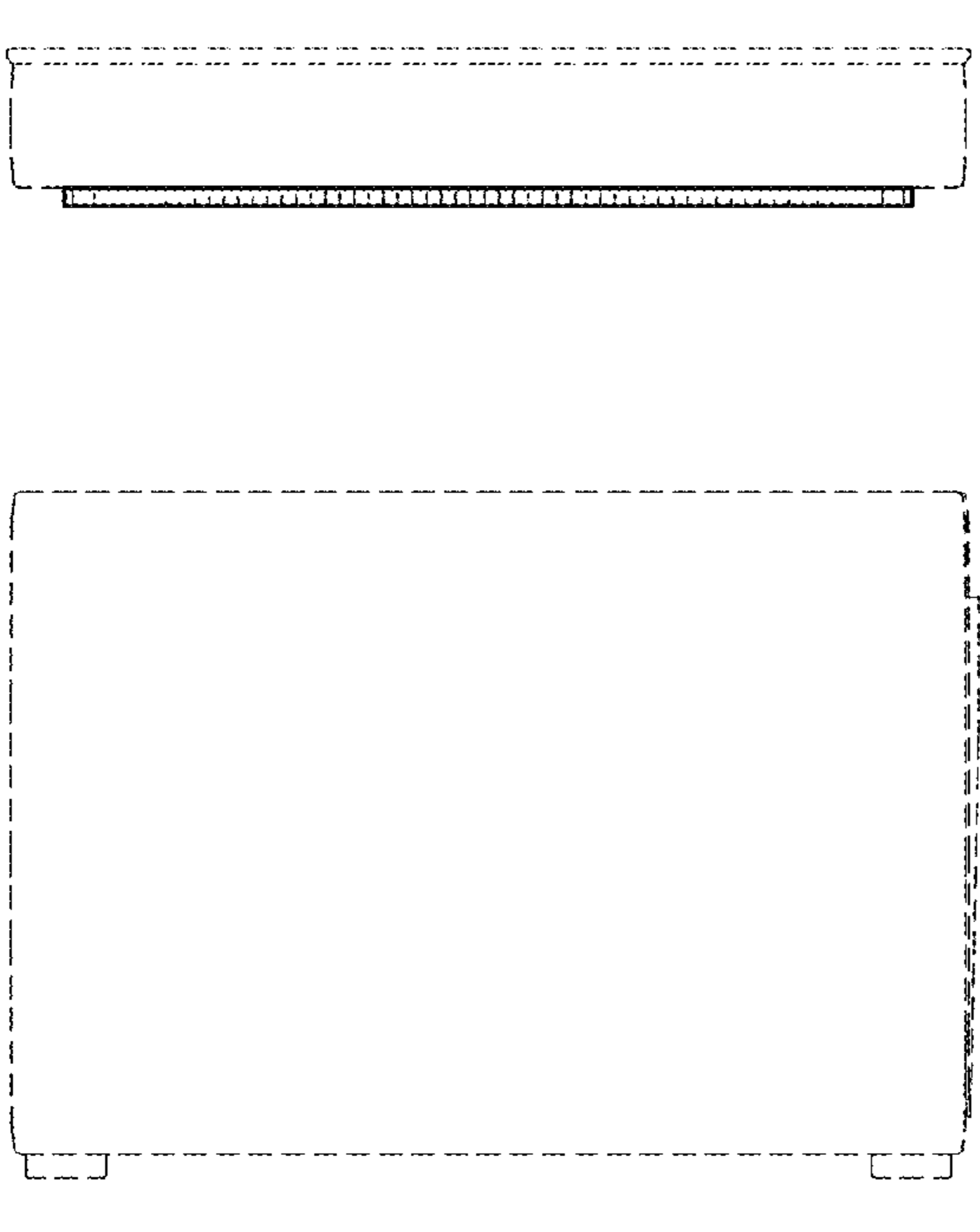


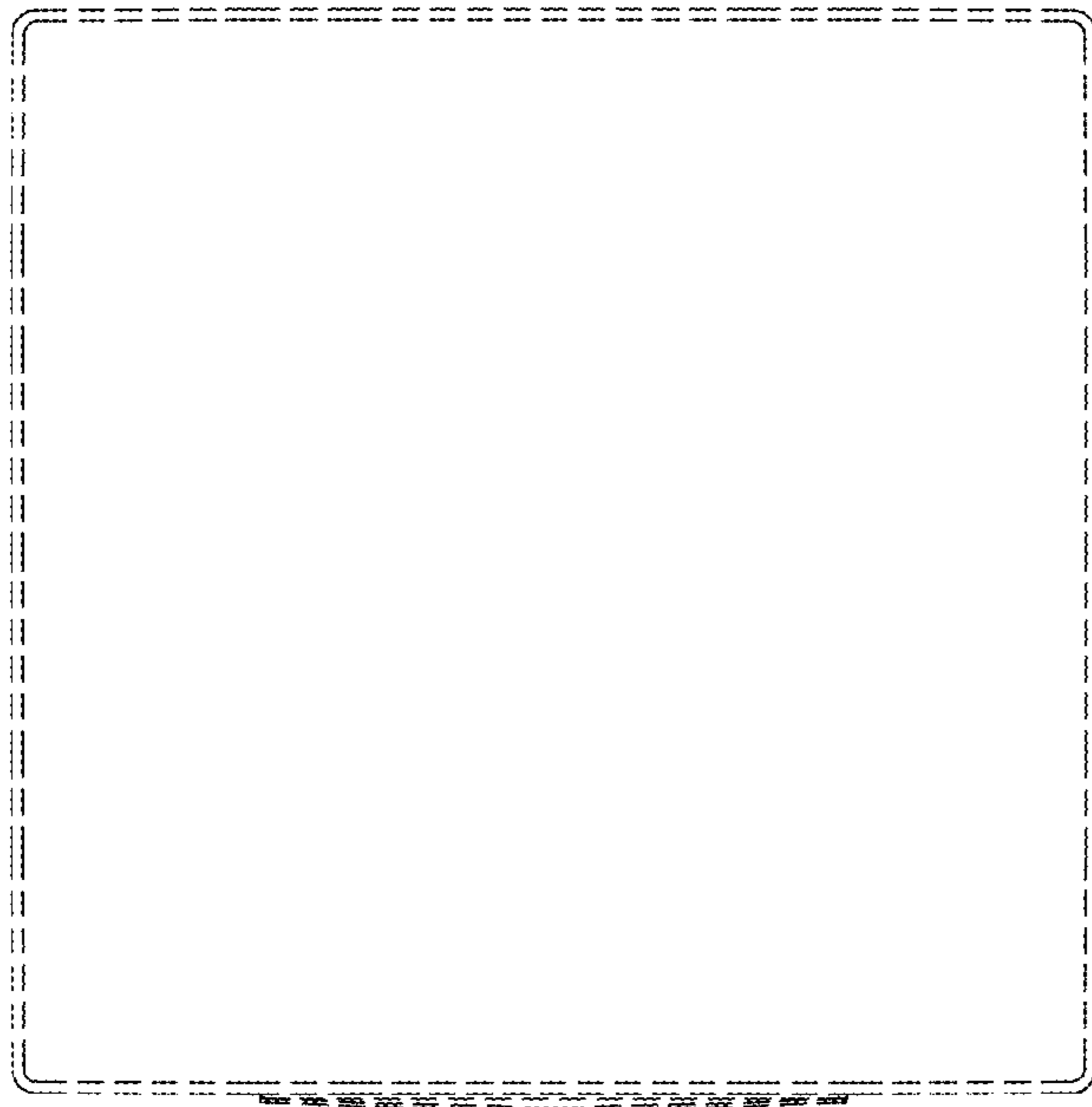
**FIG. 1**

**FIG. 2**

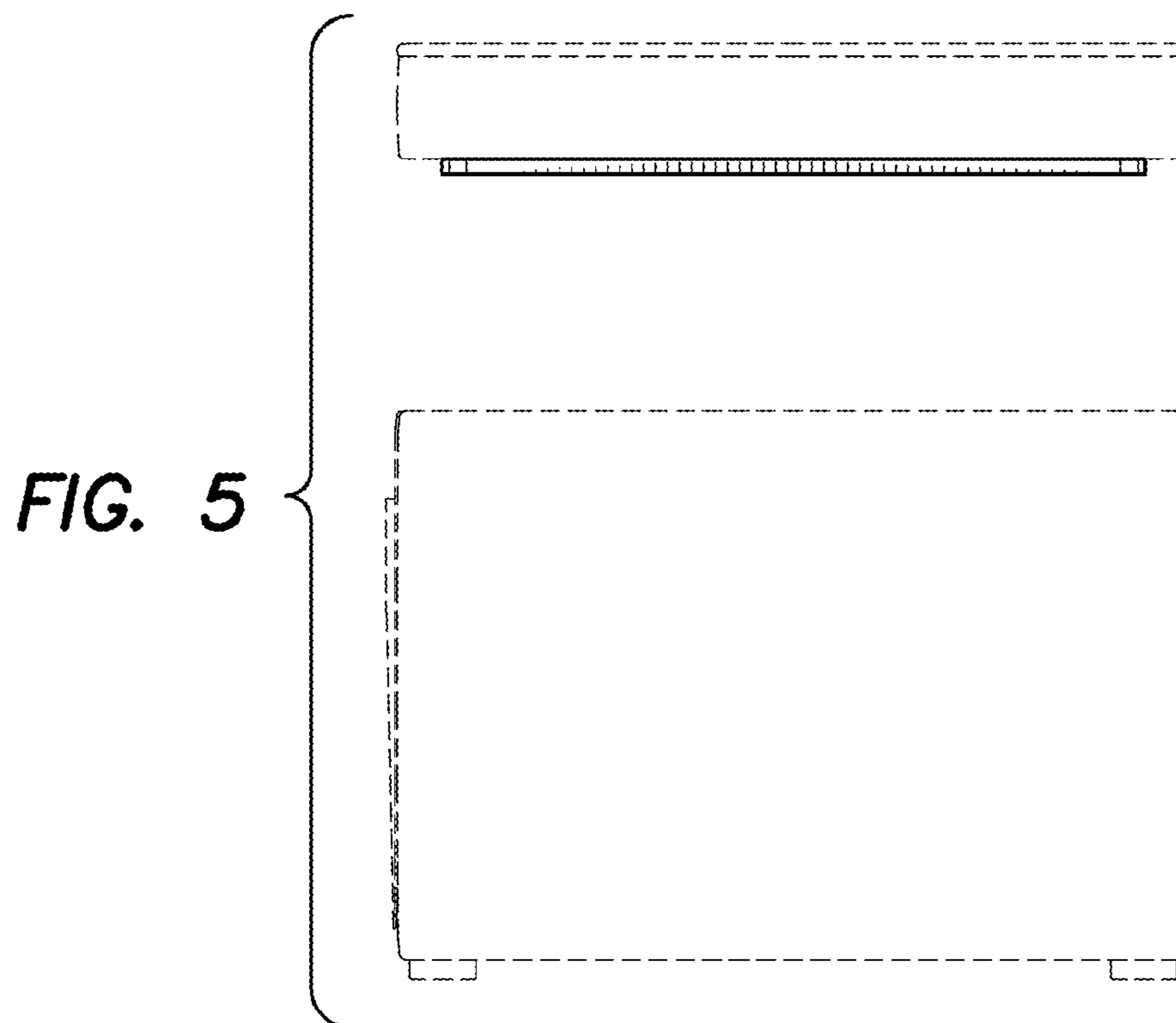


**FIG. 3**





**FIG. 4**



**FIG. 5**

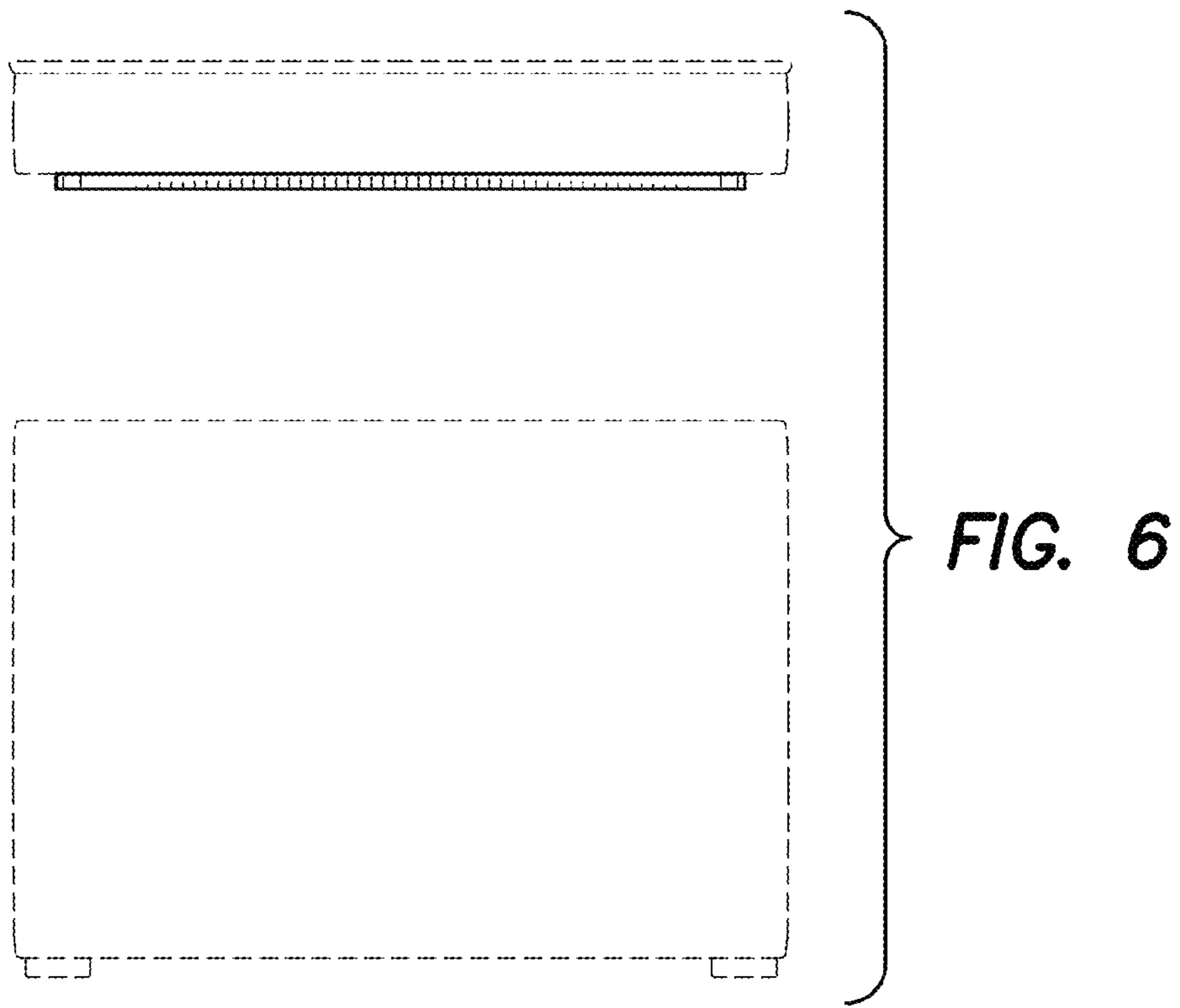
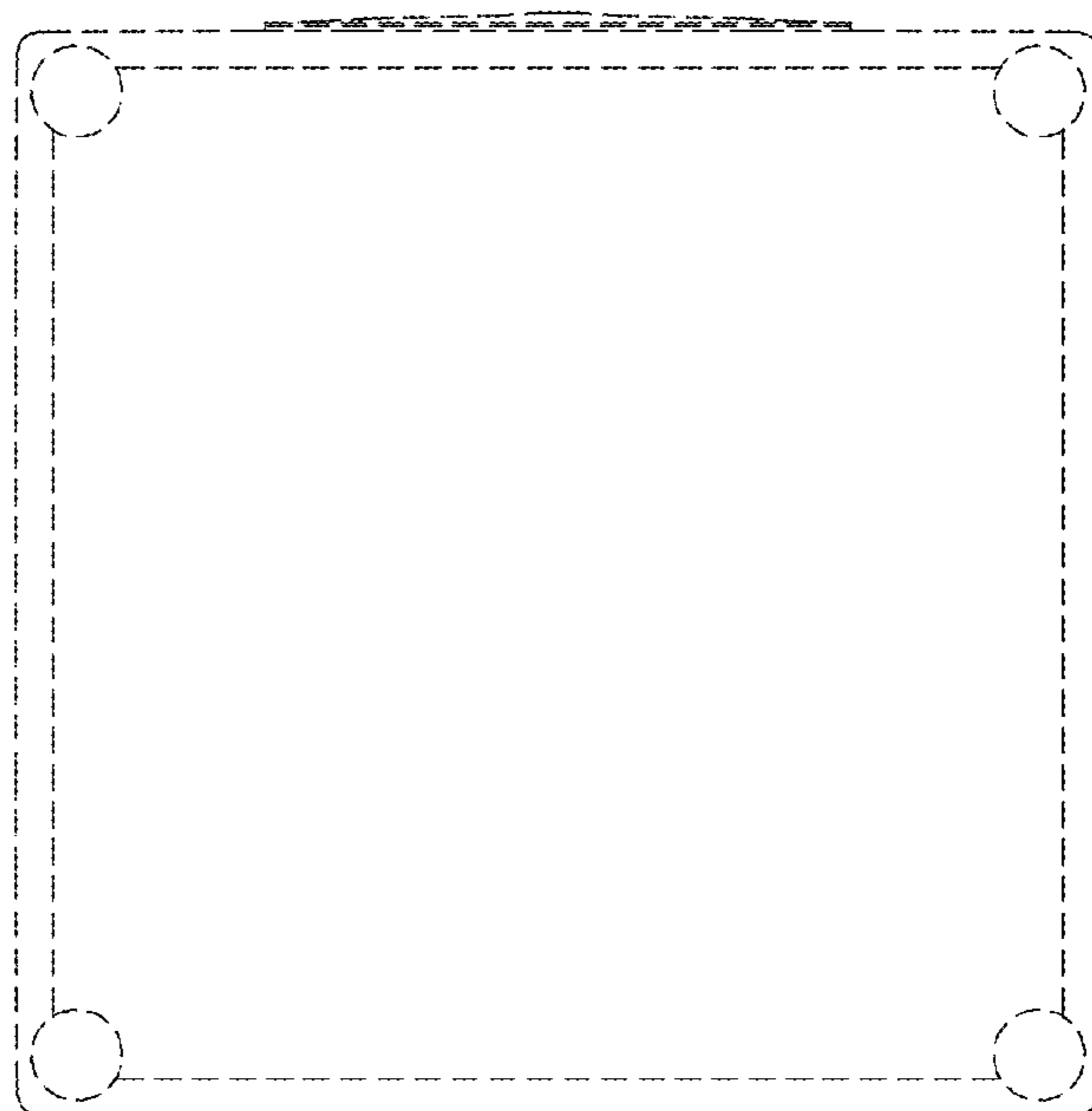


FIG. 7



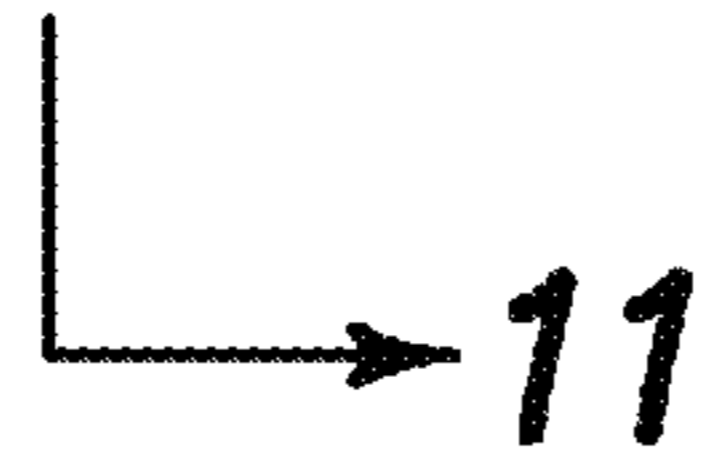
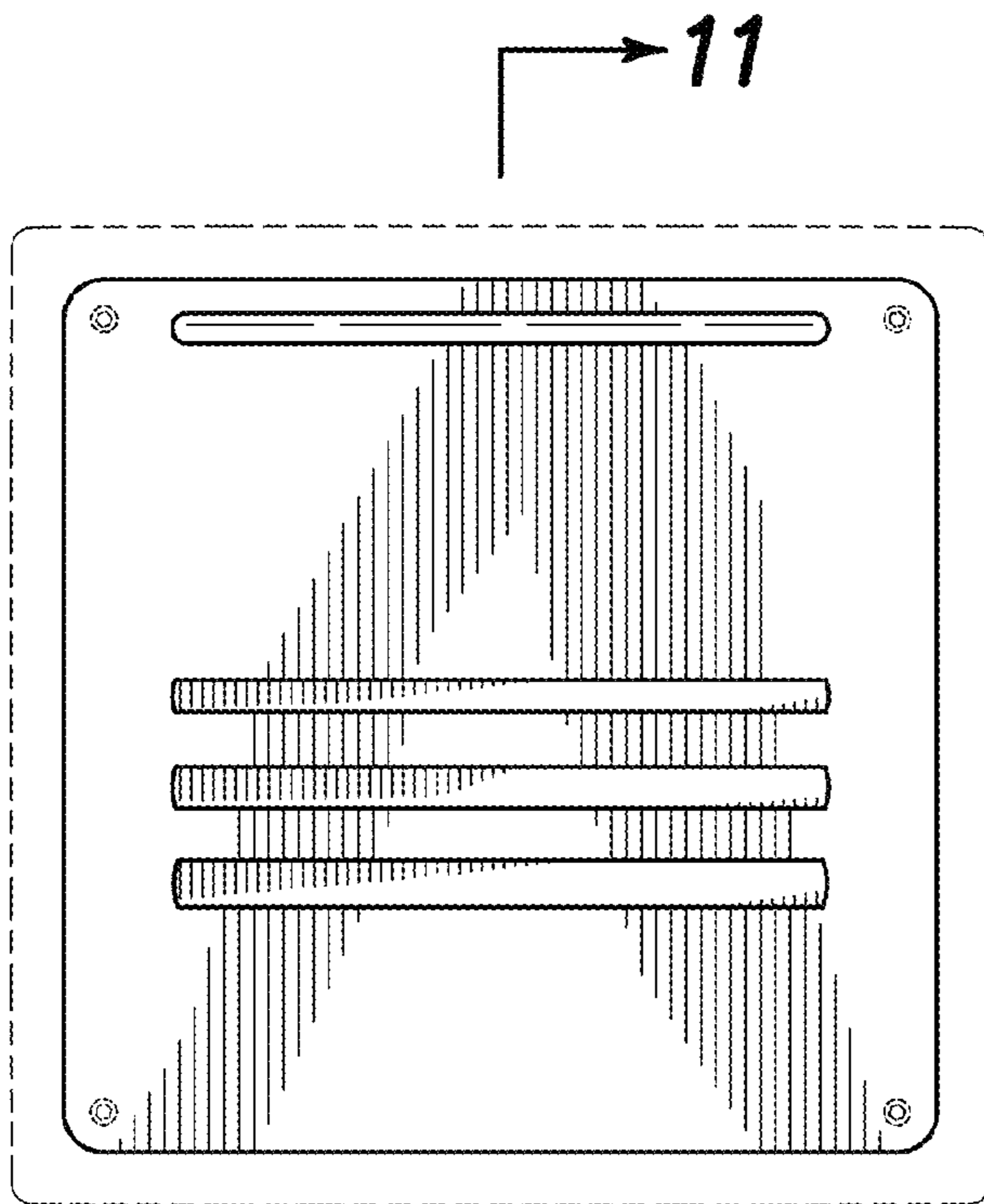
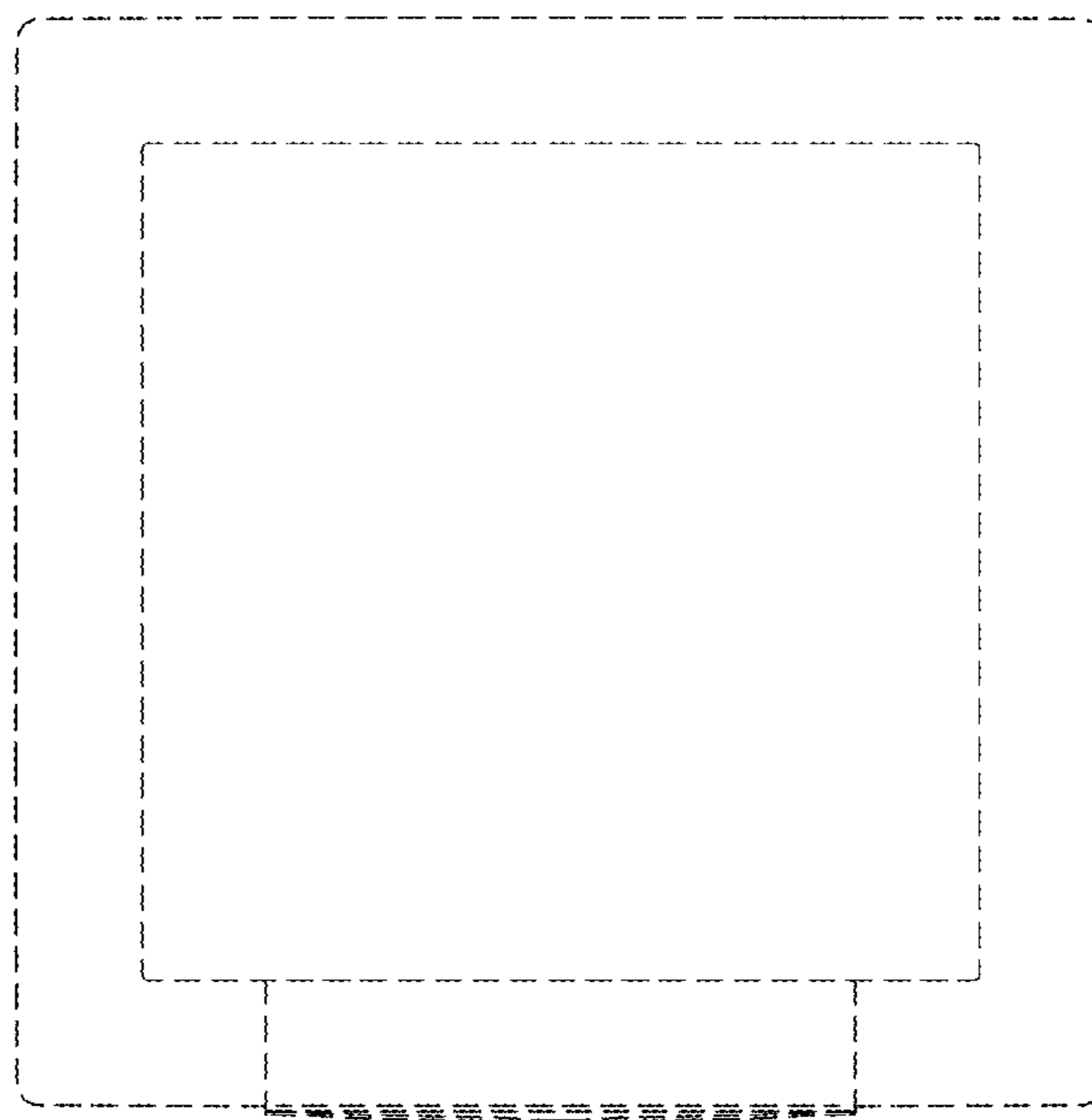
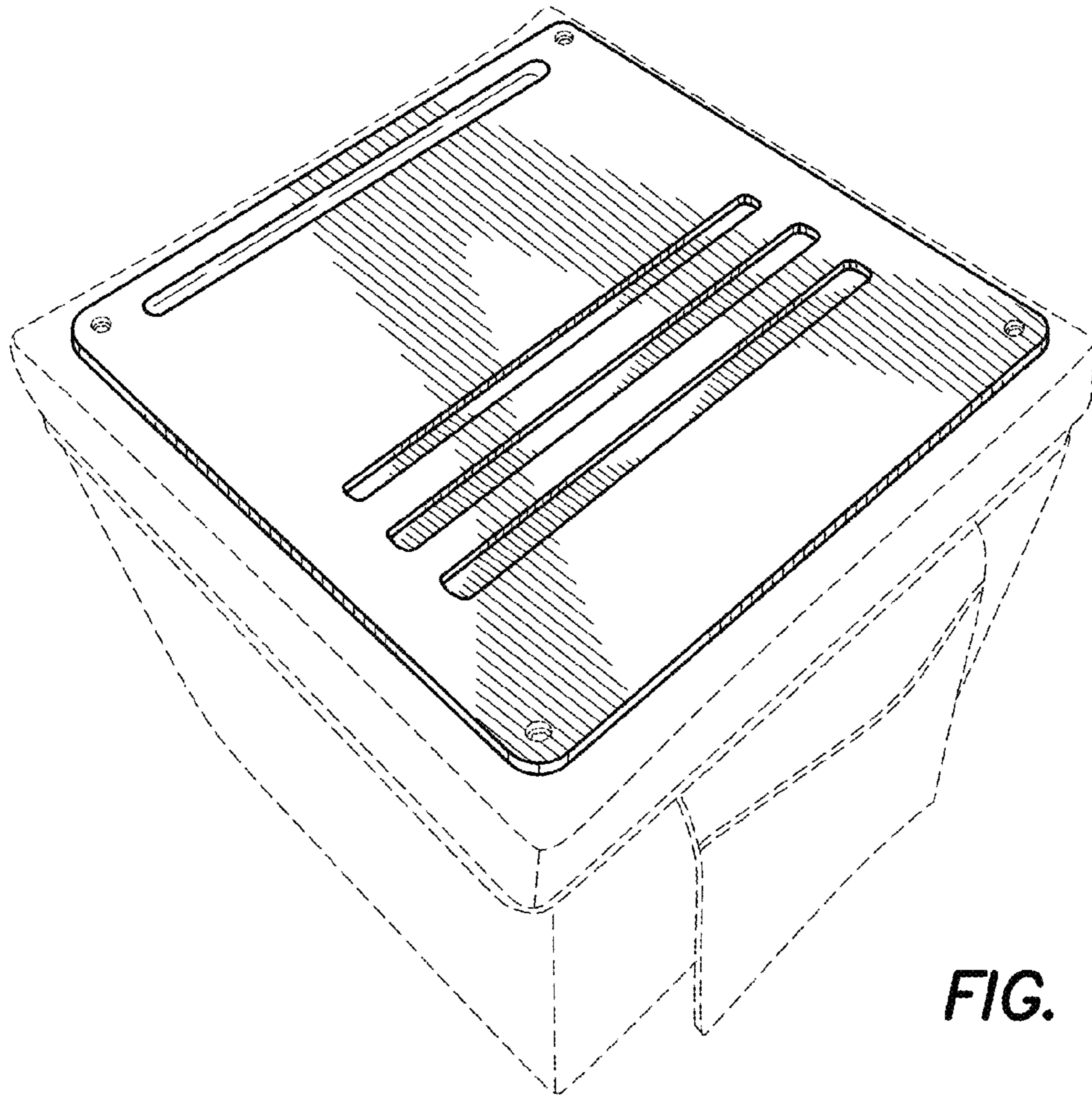


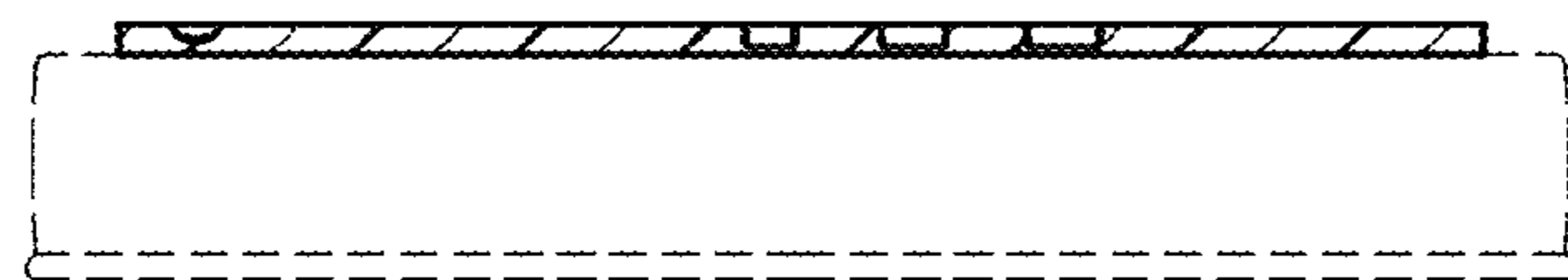
FIG. 9





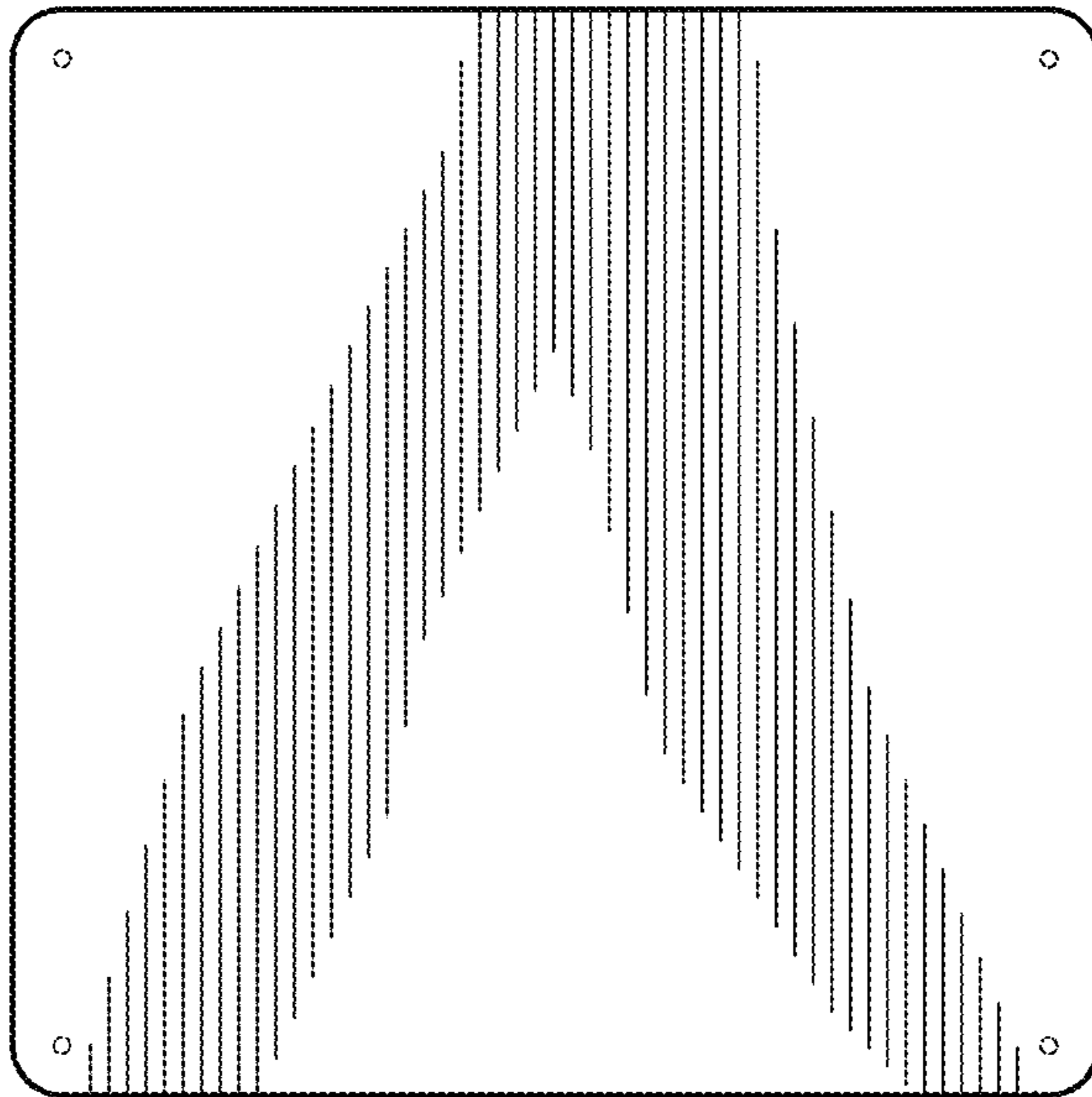


**FIG. 10**



**FIG. 11**





***FIG. 12***