



US00D723570S

(12) **United States Design Patent**
Sirichai

(10) **Patent No.:** **US D723,570 S**
(45) **Date of Patent:** **** Mar. 3, 2015**

- (54) **UNIVERSAL DEVICE-HOLDING MECHANISM FOR A MOBILE COMMUNICATIONS DEVICE**
- (71) Applicant: **Saharut Sirichai**, Bangkok (TH)
- (72) Inventor: **Saharut Sirichai**, Bangkok (TH)
- (73) Assignee: **World Richman Manufacturing Corporation**, Elgin, IL (US)
- (**) Term: **14 Years**
- (21) Appl. No.: **29/491,430**
- (22) Filed: **May 21, 2014**
- (51) **LOC (10) Cl.** **14-02**
- (52) **U.S. Cl.**
USPC **D14/440**
- (58) **Field of Classification Search**
CPC ... G06F 1/1601; G06F 1/1626; G06F 1/1633;
G06F 1/1675; G06F 1/1679; G02F 1/1306;
G02F 1/133; G02F 1/133308; G02F 1/153;
G02F 1/1533; G02F 2001/133317; H04M
1/185; H04M 1/0252; H04B 1/3888
USPC D14/250, 251, 253, 240, 217, 496, 440,
D14/203.3, 203.4, 203.5, 203.8, 341, 318;
D3/218, 215, 201, 294, 289, 900;
220/4.02; 248/309.1; 361/679.56;
379/426, 433.11, 455; 455/575.1,
455/575.8, 457.1; 190/100; 206/305, 320,
206/45.2; D21/469; 312/240
See application file for complete search history.

(56) **References Cited**

U.S. PATENT DOCUMENTS

D118,197 S *	12/1939	Trussel	D19/26
D323,348 S *	1/1992	Tooker	D19/26
D374,037 S *	9/1996	Wyant et al.	D19/26
D449,166 S *	10/2001	Shapiro	D3/303
D551,847 S *	10/2007	Yeap et al.	D3/201
D592,188 S *	5/2009	Huang	D14/217
D600,699 S *	9/2009	Johnston et al.	D14/440
D619,586 S *	7/2010	Richter	D14/447

D639,816 S *	6/2011	Bau	D14/447
D641,610 S *	7/2011	Sedalo	D8/354
D649,185 S *	11/2011	Bakrania	D19/26
D672,353 S *	2/2012	Liu	206/472
D660,305 S *	5/2012	Ho et al.	D14/447
D662,925 S *	7/2012	Mayberry et al.	D14/250
D673,960 S *	1/2013	Lindfield et al.	D14/447
D674,799 S *	1/2013	Kim	D14/440

(Continued)

Primary Examiner — Cynthia Underwood

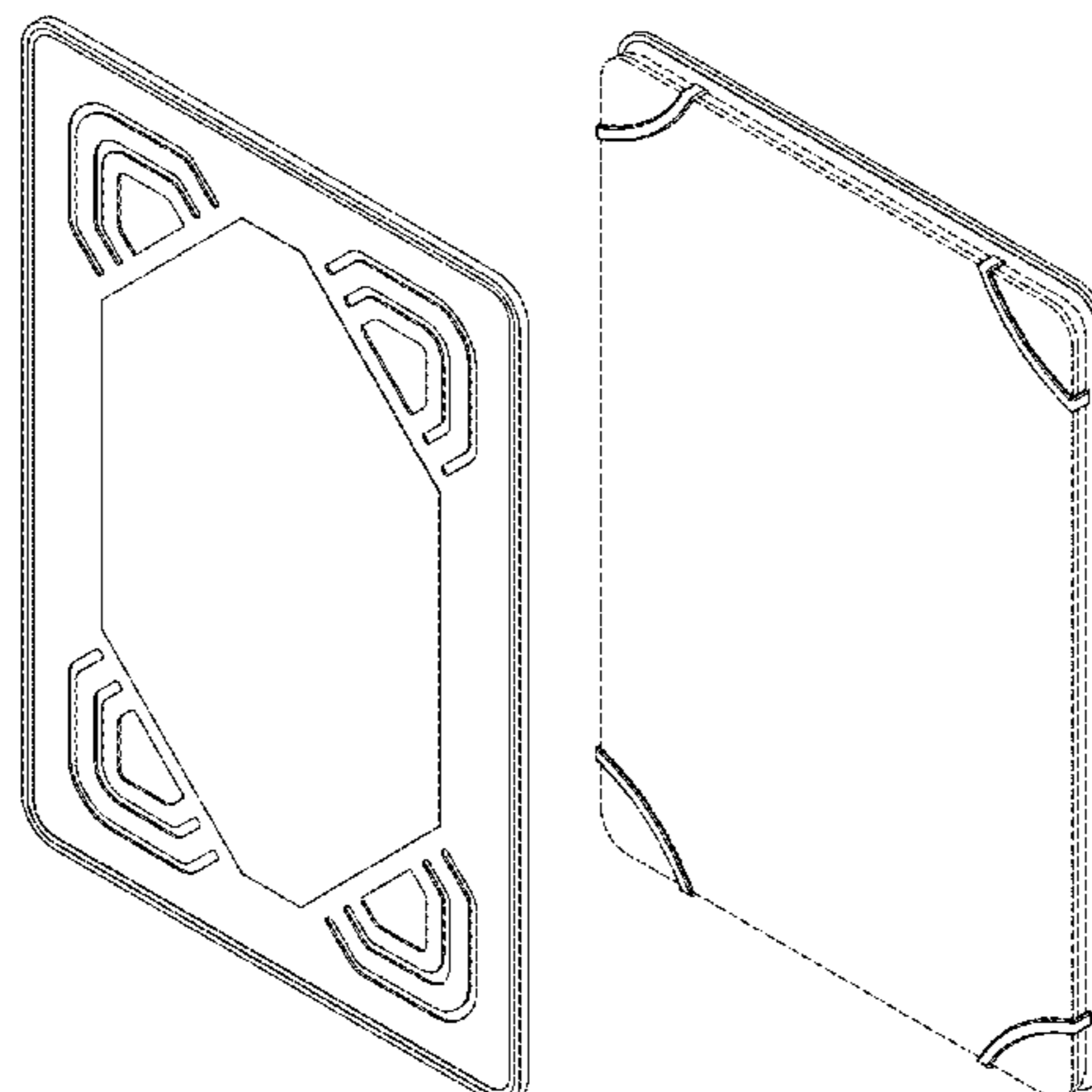
(57) **CLAIM**

The ornamental design for the universal device-holding mechanism for a mobile communications device, as shown and described.

DESCRIPTION

FIG. 1 is an anterior plan view of the universal device-holding mechanism for a mobile communications device.
 FIG. 2 is a posterior plan view of the universal device-holding mechanism for a mobile communications device.
 FIG. 3 is a bottom edge view of the universal device-holding mechanism for a mobile communications device.
 FIG. 4 is a first lateral edge view of the universal device-holding mechanism for a mobile communications device.
 FIG. 5 is a top edge view of the universal device-holding mechanism for a mobile communications device.
 FIG. 6 is a second lateral edge view of the universal device-holding mechanism for a mobile communications device.
 FIG. 7 is an anterior perspective view of the universal device-holding mechanism for a mobile communications device.
 FIG. 8 is a posterior perspective view of the universal device-holding mechanism for a mobile communications device.
 FIG. 9 is an anterior perspective view of the universal device-holding mechanism for a mobile communications device shown in a first condition of use; and,
 FIG. 10 is an anterior perspective view of the universal device-holding mechanism for a mobile communications device shown in a second condition of use.
 The broken lines in FIGS. 9 and 10 are included for the purpose of illustrating generic devices held by the device-holding mechanism and form no part of the claimed design.

1 Claim, 5 Drawing Sheets



(56)

References Cited

U.S. PATENT DOCUMENTS

D674,803 S *	1/2013	Westrup	D14/440	D684,978 S *	6/2013	Phillips et al.	D14/440
D674,804 S *	1/2013	Cote	D14/447	D685,376 S *	7/2013	Kim	D14/439
D676,050 S *	2/2013	Sanz	D14/440	D686,629 S *	7/2013	Trinh et al.	D14/447
D678,884 S *	3/2013	Phillips et al.	D14/440	D688,250 S *	8/2013	Phillips et al.	D14/440
D682,281 S *	5/2013	Barnard et al.	D14/447	D689,502 S *	9/2013	Belitz et al.	D14/447
				2003/0222149 A1 *	12/2003	Solomon et al.	235/472.01
				2012/0091312 A1 *	4/2012	Baker	248/682

* cited by examiner

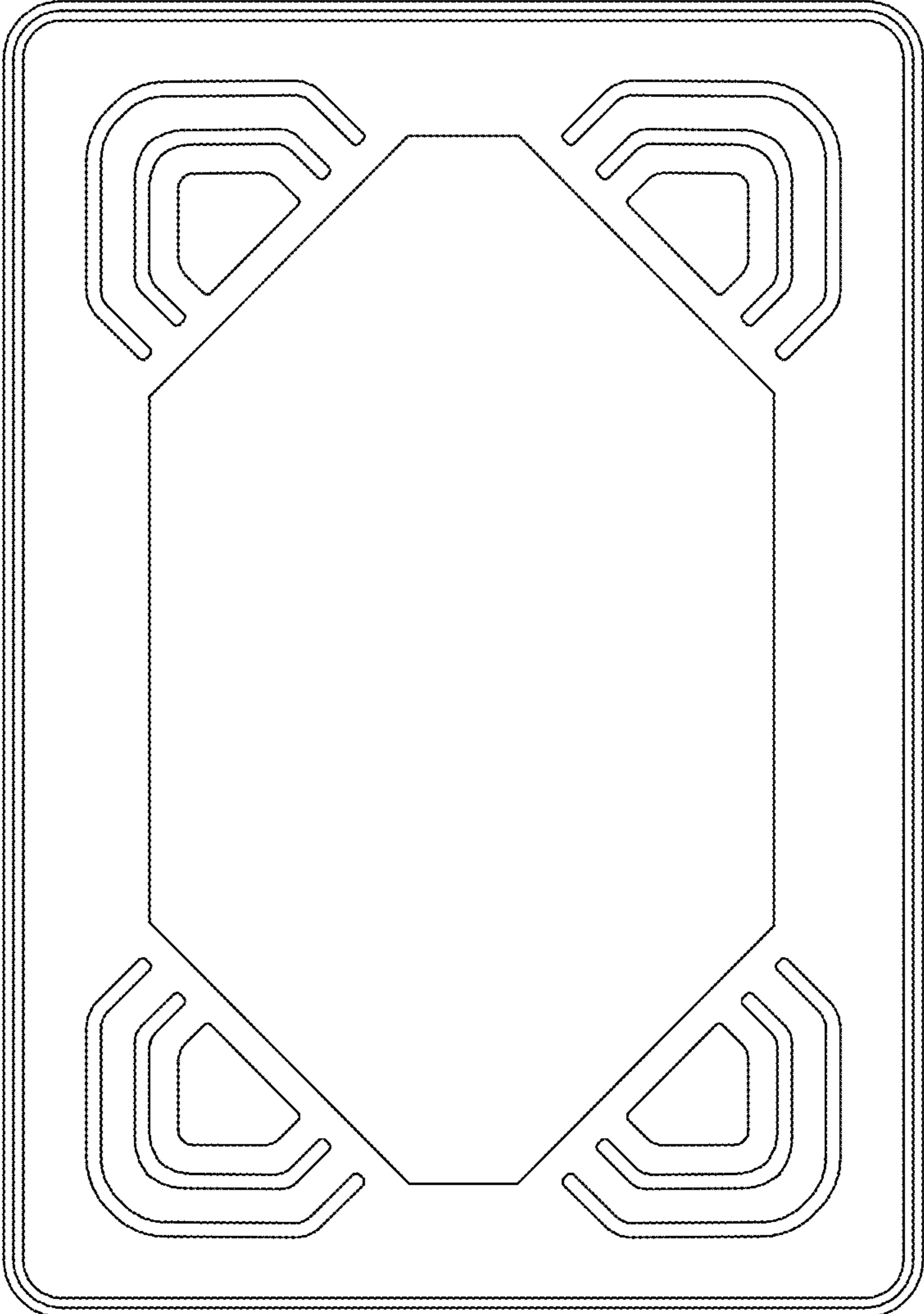


FIG. 1

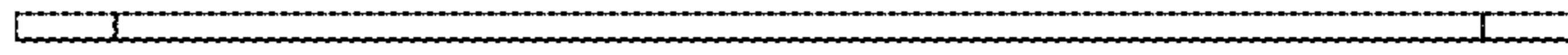


FIG.5



FIG.6

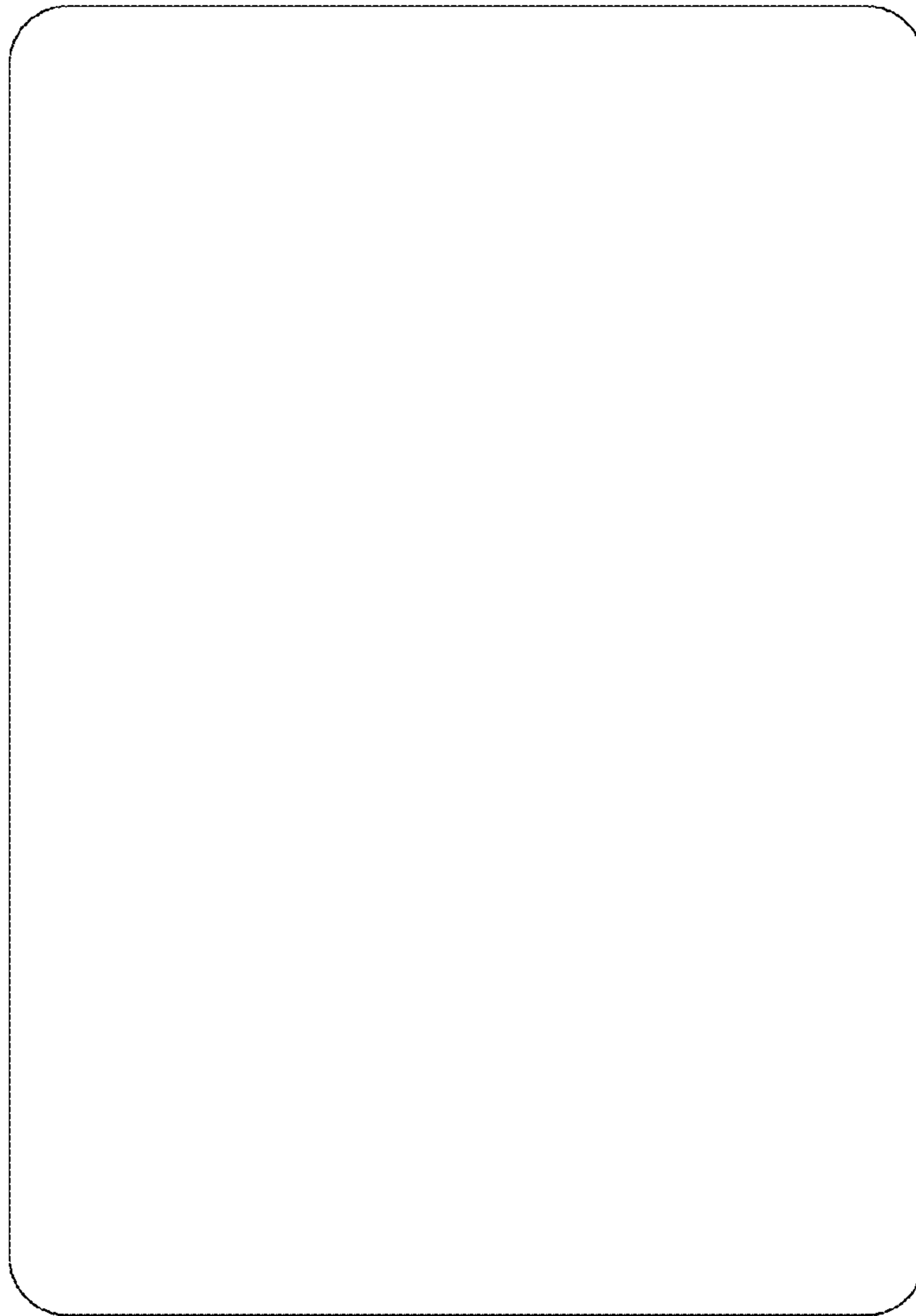


FIG.2

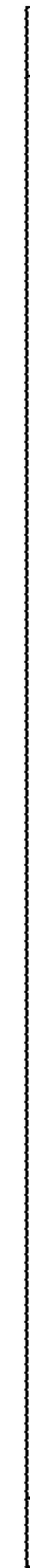


FIG.4

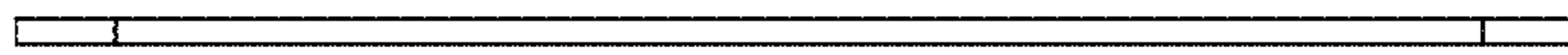


FIG.3

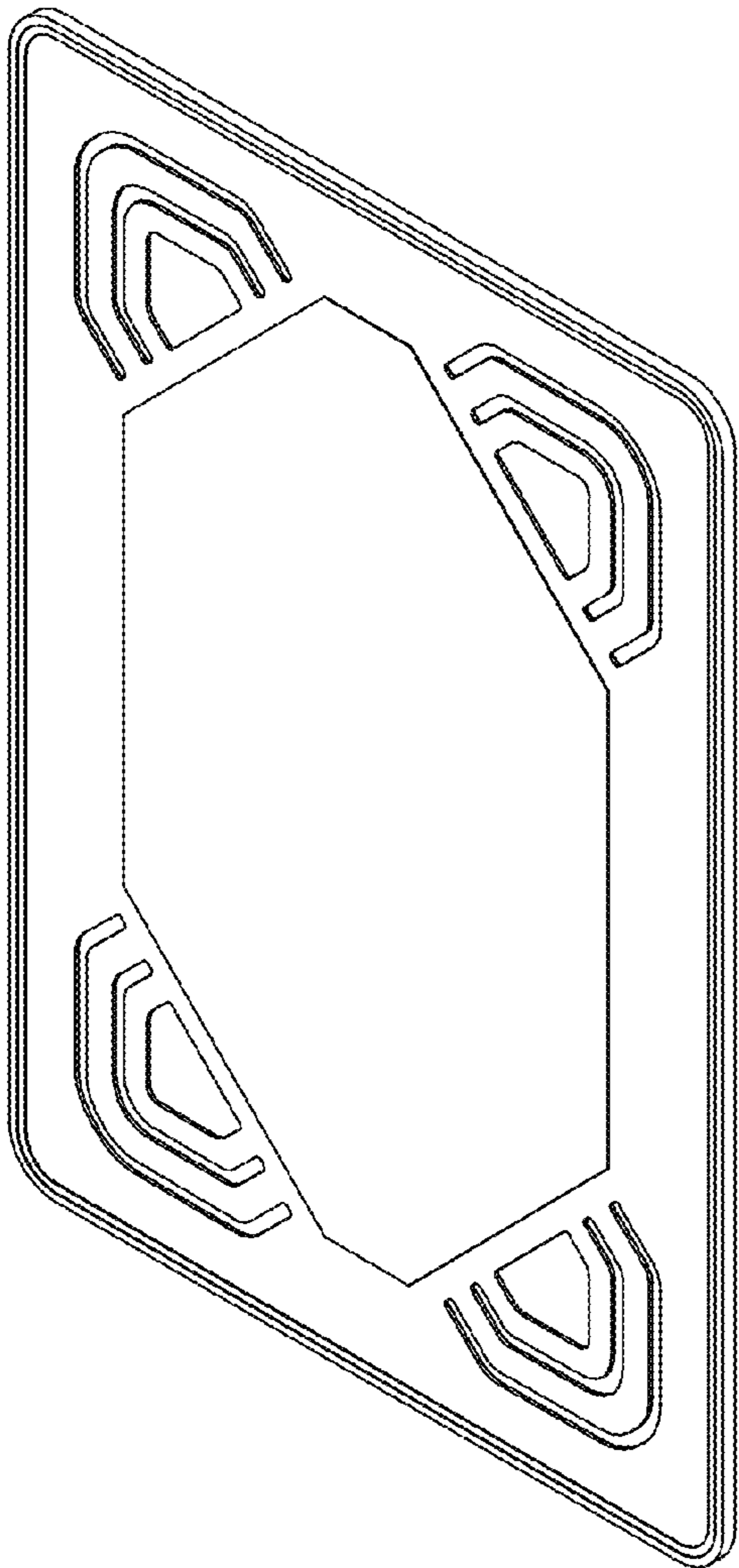


FIG. 7

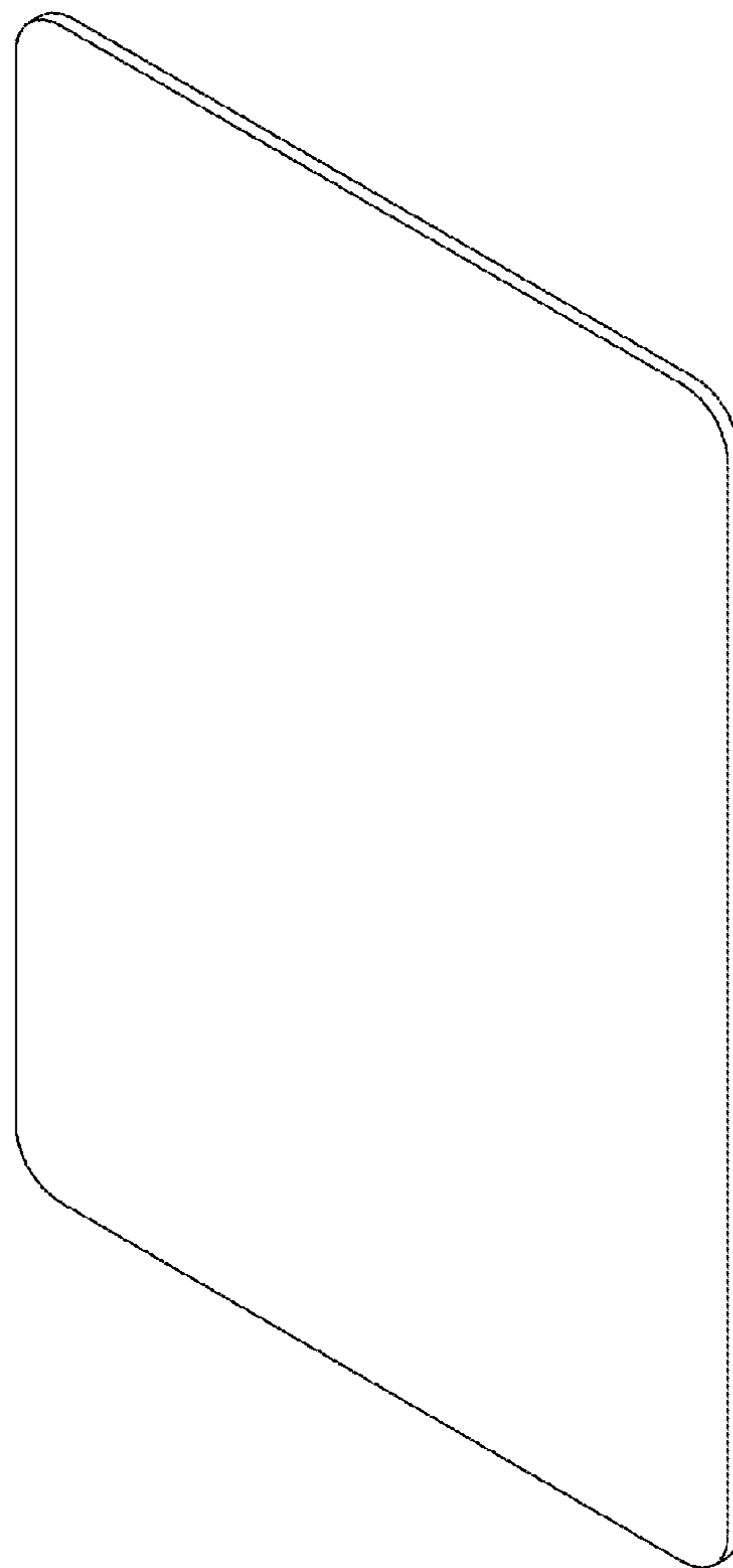


FIG. 8

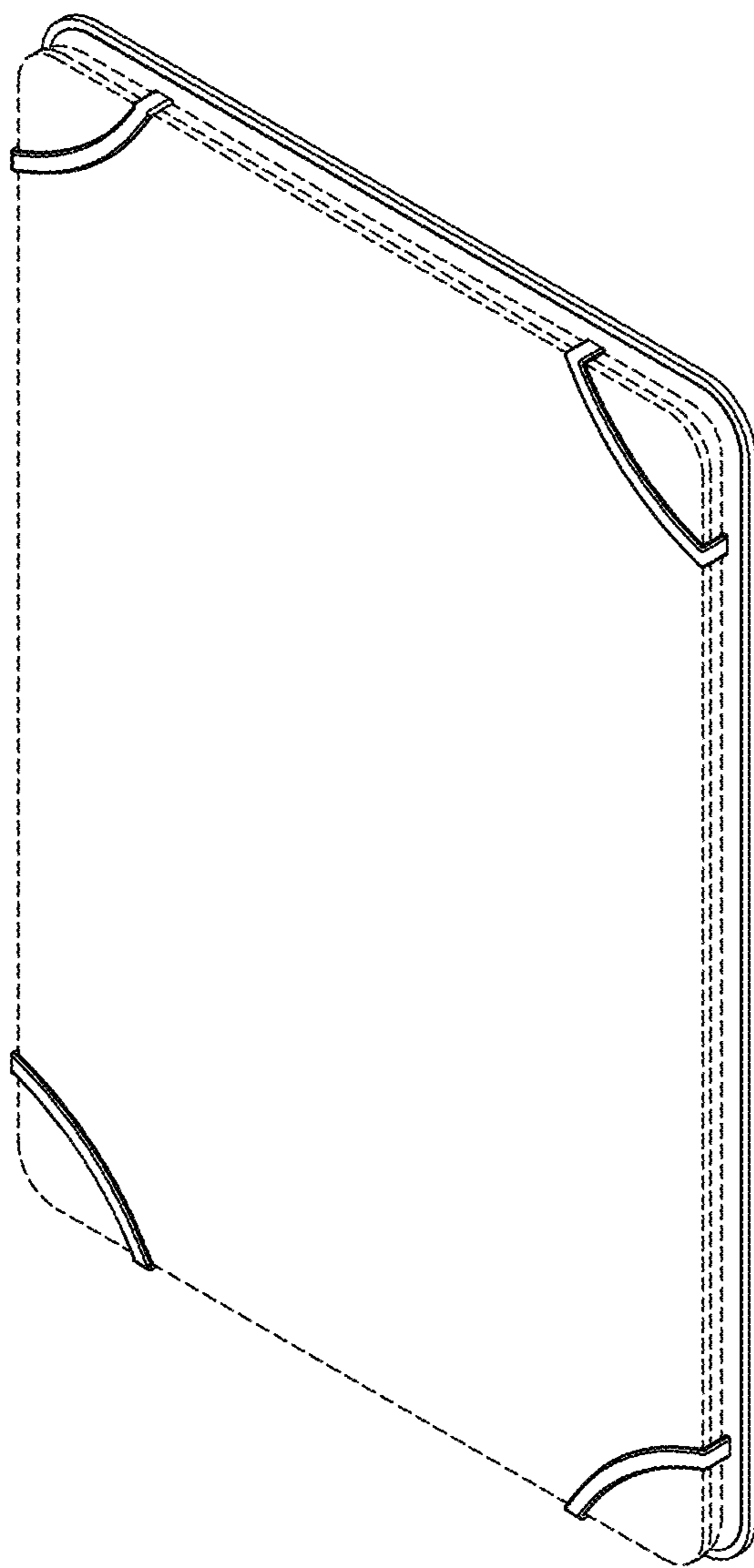


FIG. 9

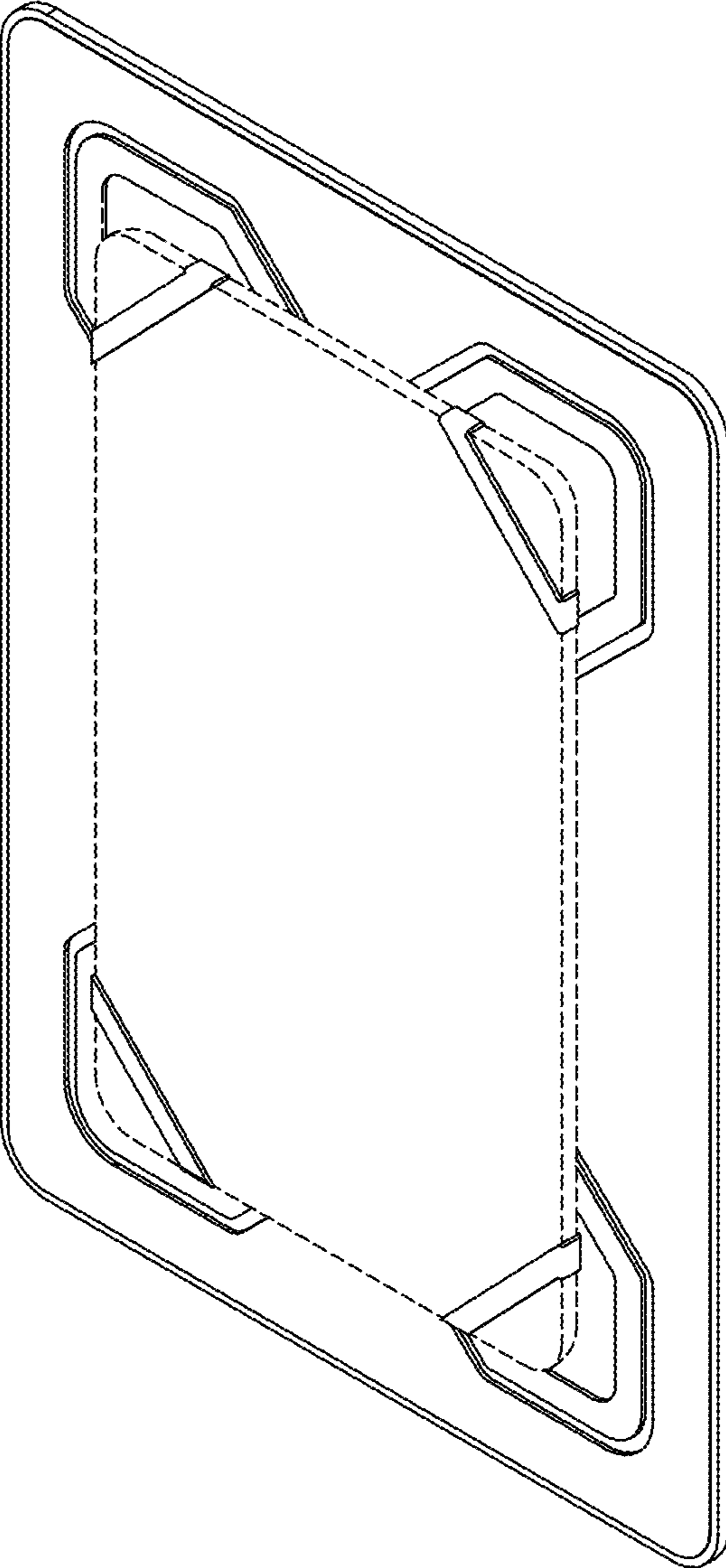


FIG.10