

US00D723568S

(12) **United States Design Patent**
Kim et al.

(10) **Patent No.:** **US D723,568 S**
(45) **Date of Patent:** **** Mar. 3, 2015**

(54) **COVER FOR MOBILE COMMUNICATION
TERMINAL**

(56) **References Cited**

(71) Applicant: **Samsung Electronics Co., Ltd.**,
Suwon-si, Gyeonggi-do (KR)
(72) Inventors: **Tae-Woo Kim**, Seoul (KR); **Yong-Seok
Bang**, Yongin-si (KR); **Bernard Lo**,
Ontario (CA)
(73) Assignee: **Samsung Electronics Co., Ltd.** (KR)

U.S. PATENT DOCUMENTS

1,613,536 A * 1/1927 Rose 132/315
D230,376 S * 2/1974 Andrew D19/91
4,259,568 A * 3/1981 Dynesen 235/1 D
6,772,879 B1 * 8/2004 Domotor 206/45.23
7,281,698 B2 * 10/2007 Patterson, Jr. 248/458
7,414,833 B2 * 8/2008 Kittayapong 361/679.27
7,735,644 B2 * 6/2010 Sirichai et al. 206/320
D658,187 S * 4/2012 Diebel D14/440
D658,188 S * 4/2012 Diebel D14/440
D663,304 S * 7/2012 Akana et al. D14/440
8,230,992 B2 * 7/2012 Law et al. 206/320
8,245,843 B1 * 8/2012 Wu 206/320
8,312,991 B2 * 11/2012 Diebel et al. 206/45.24
D671,948 S * 12/2012 Akana et al. D14/440
D672,353 S * 12/2012 Liu D14/440
D672,781 S * 12/2012 Lu D14/440
D675,625 S * 2/2013 Hasbrook et al. D14/440
D678,260 S * 3/2013 Bau D14/250
D679,279 S * 4/2013 Yang et al. D14/440

(**) Term: **14 Years**
(21) Appl. No.: **29/471,258**
(22) Filed: **Oct. 30, 2013**

(30) **Foreign Application Priority Data**
Aug. 12, 2013 (KR) 30-2013-0041449

(51) **LOC (10) Cl.** **14-02**
(52) **U.S. Cl.**
USPC **D14/440**

(58) **Field of Classification Search**
CPC ... G06F 1/1601; G06F 1/1626; G06F 1/1633;
G06F 1/1675; G06F 1/1679; G02F 1/1306;
G02F 1/133; G02F 1/133308; G02F 1/153;
G02F 1/1533; G02F 2001/133317; H04M
1/185; H04M 1/0252; H04B 1/3888
USPC D14/250, 251, 253, 240, 217, 496, 440,
D14/203.3, 203.4, 203.5, 203.8, 341, 318;
D3/218, 215, 201, 294, 289, 900;
220/4.02; 248/309.1; 361/679.56;
379/426, 433.11, 455; 455/575.1,
455/575.8, 457.1; 190/100; 206/305, 320,
206/45.2; D21/469; 312/240

See application file for complete search history.

(Continued)

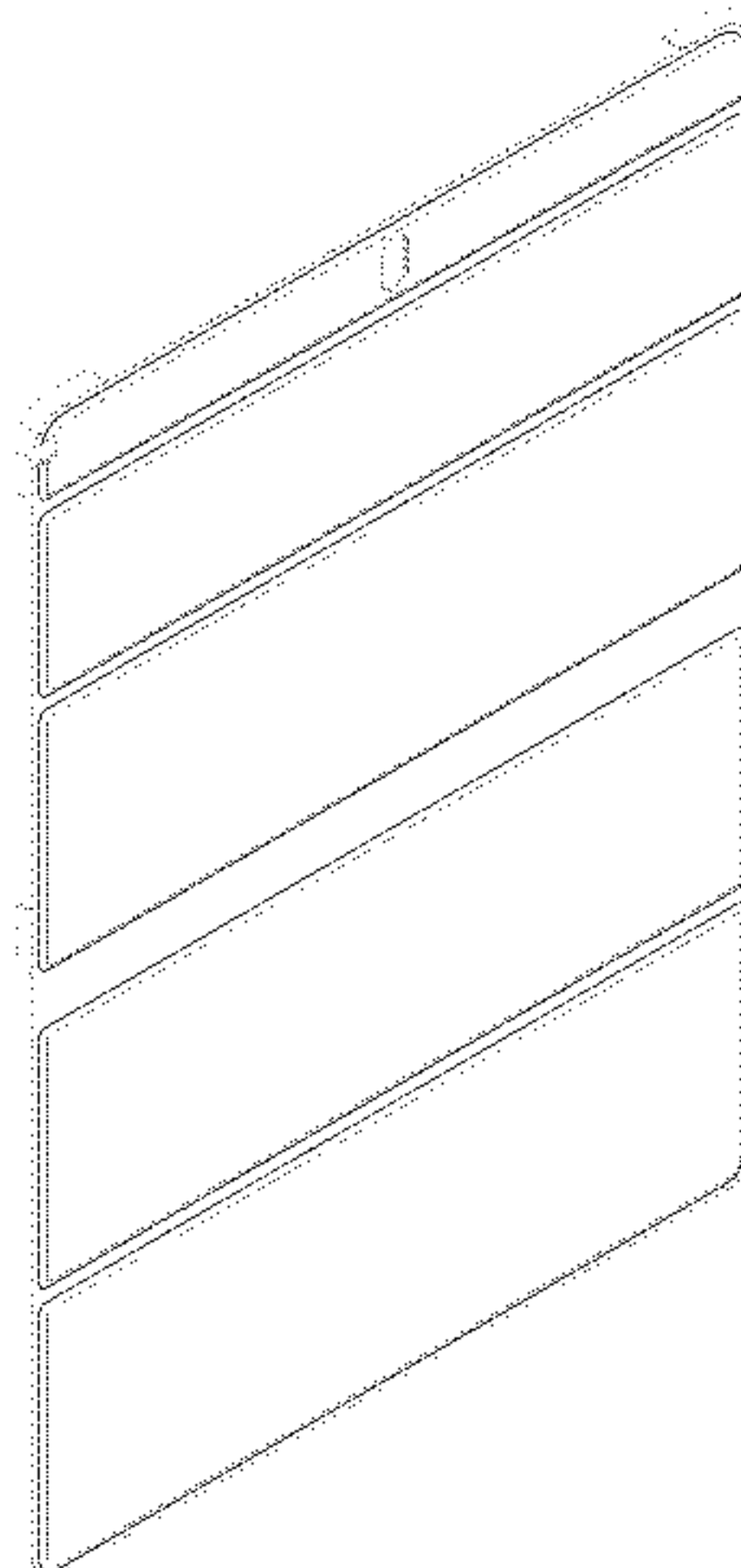
Primary Examiner — Cynthia Underwood
(74) *Attorney, Agent, or Firm* — Cantor Colburn LLP

(57) **CLAIM**
We claim, the ornamental design for a cover for mobile communication terminal, as shown and described.

DESCRIPTION

FIG. 1 is a perspective view of a cover for mobile communication terminal, showing our new design;
FIG. 2 is a front elevation view thereof;
FIG. 3 is a rear elevation view thereof;
FIG. 4 is a side elevation view thereof;
FIG. 5 is a another side elevation view thereof;
FIG. 6 is a top plan view thereof;
FIG. 7 is a bottom plan view thereof; and,
FIG. 8 is an enlarged view of the encircled portion of FIG. 4. The broken lines are for environmental purposes only and form no part of the claimed design.
The dot-dash broken lines encircling the portion of the claimed design that is illustrated in an enlargement form no part of the claimed design.

1 Claim, 6 Drawing Sheets



(56)

References Cited

U.S. PATENT DOCUMENTS

D679,715	S *	4/2013	Akana et al.	D14/440
8,424,830	B2 *	4/2013	Yang et al.	248/459
D681,641	S *	5/2013	Van Den Nieuwenhuizen et al.	D14/440
D682,836	S *	5/2013	Akana et al.	D14/440
D682,838	S *	5/2013	Akana et al.	D14/440
D683,141	S *	5/2013	Symons	D6/310
D687,438	S *	8/2013	Lu	D14/440
D690,305	S *	9/2013	Wen	D14/440
D690,702	S *	10/2013	Chung	D14/440
D691,142	S *	10/2013	Diebel	D14/440
D692,434	S *	10/2013	Kim	D14/440
D693,823	S *	11/2013	Chen et al.	D14/440
D695,296	S *	12/2013	Hsu	D14/440
D696,253	S *	12/2013	Akana et al.	D14/345
D696,256	S *	12/2013	Piedra et al.	D14/440
D696,669	S *	12/2013	Akana et al.	D14/440
8,640,864	B2 *	2/2014	Chen et al.	206/45.2
8,657,112	B2 *	2/2014	Igarashi	206/320
D701,205	S *	3/2014	Akana et al.	D14/345
D702,673	S *	4/2014	Murchison et al.	D14/250
D704,689	S *	5/2014	Chang	D14/250
D704,693	S *	5/2014	Kim	D14/250
D706,270	S *	6/2014	Akana et al.	D14/440
D706,783	S *	6/2014	Almodova	D14/440
D707,229	S *	6/2014	Almodova	D14/440
8,757,375	B2 *	6/2014	Huang	206/320
D708,838	S *	7/2014	Lee	D3/201
8,763,795	B1 *	7/2014	Oten et al.	206/45.23
8,766,921	B2 *	7/2014	Ballagas et al.	345/168
8,773,353	B2 *	7/2014	Wei	345/156
8,783,458	B2 *	7/2014	Gallagher et al.	206/320
D710,859	S *	8/2014	Mecchella et al.	D14/440
8,797,132	B2 *	8/2014	Childs et al.	335/219
2003/0034263	A1 *	2/2003	D'Hoste	206/320
2008/0302687	A1 *	12/2008	Sirichai et al.	206/320
2009/0159763	A1 *	6/2009	Kim	248/174
2011/0266194	A1 *	11/2011	Bau	206/736
2011/0290687	A1 *	12/2011	Han	206/320
2012/0211377	A1 *	8/2012	Sajid	206/216
2012/0211613	A1 *	8/2012	Yang et al.	248/174
2012/0305413	A1 *	12/2012	Chung	206/45.23
2012/0308981	A1 *	12/2012	Libin et al.	434/362
2013/0015088	A1 *	1/2013	Wu	206/320
2013/0020216	A1 *	1/2013	Chiou	206/320
2013/0140203	A1 *	6/2013	Chiang	206/320
2013/0213838	A1 *	8/2013	Tsai et al.	206/320
2013/0214661	A1 *	8/2013	McBroom	312/325
2013/0241381	A1 *	9/2013	Hyneczek et al.	312/240
2013/0264459	A1 *	10/2013	McCosh et al.	248/688

* cited by examiner

FIG. 1

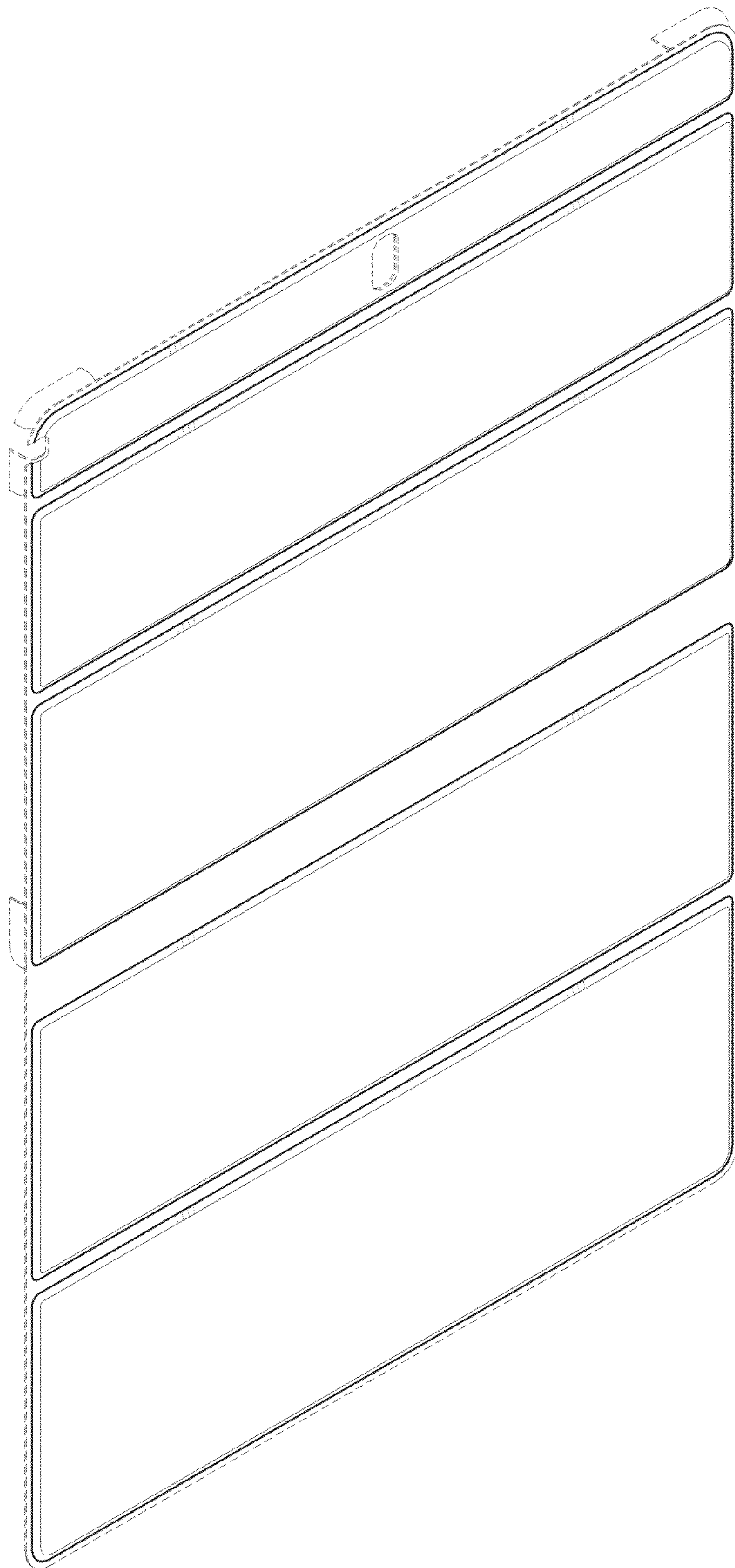


FIG. 2

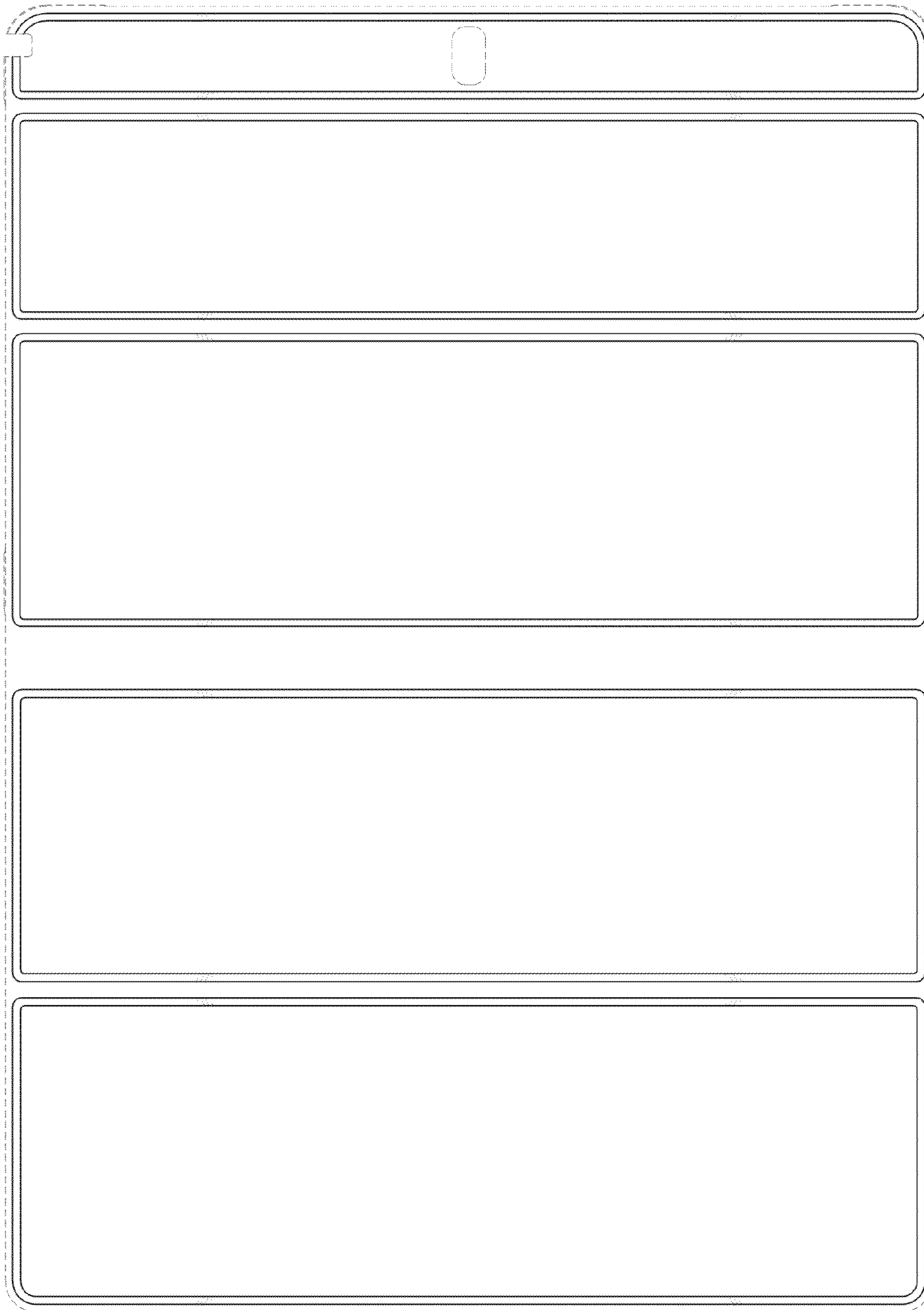


FIG. 3

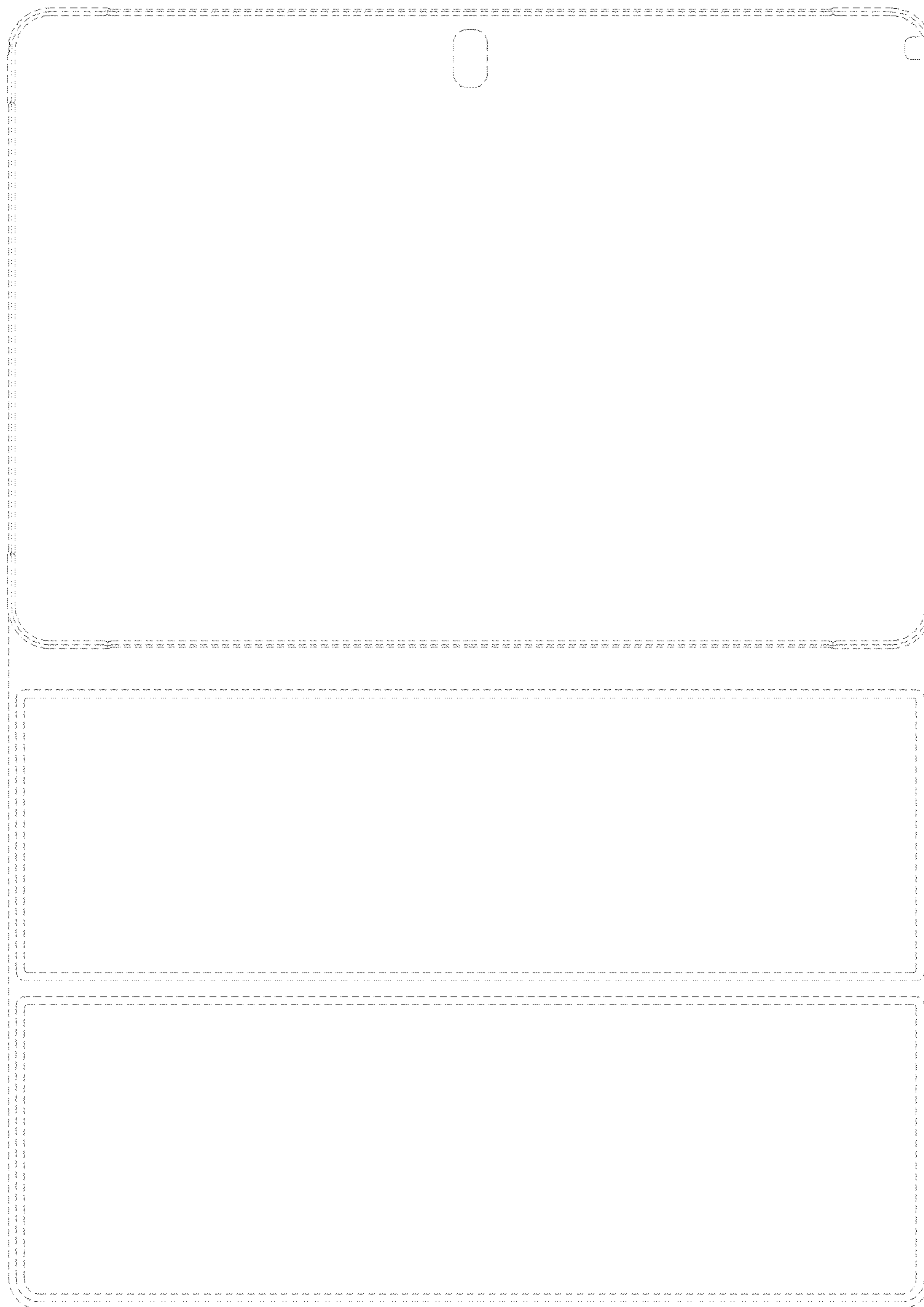


FIG. 4

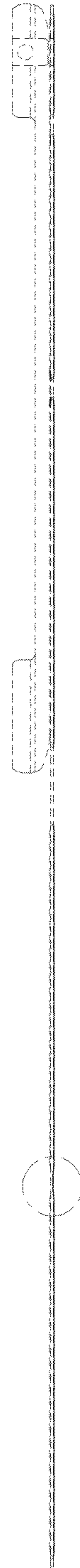


FIG. 5



FIG. 6

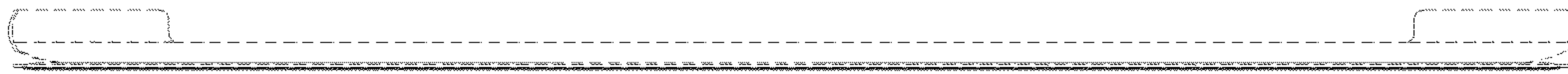


FIG. 7



FIG. 8

