

US00D723565S

(12) **United States Design Patent**  
**Kujawski et al.**

(10) **Patent No.:** **US D723,565 S**  
(45) **Date of Patent:** **\*\* Mar. 3, 2015**

(54) **CONNECTOR**  
(71) Applicant: **Microsoft Corporation**, Redmond, WA (US)  
(72) Inventors: **Christopher Kujawski**, Redmond, WA (US); **Jan Raken**, Seattle, WA (US); **Ralf Groene**, Kirkland, WA (US)  
(73) Assignee: **Microsoft Corporation**, Redmond, WA (US)

D471,870 S \* 3/2003 Lee ..... D13/147  
D510,930 S \* 10/2005 Deguchi ..... D14/240  
D524,759 S \* 7/2006 Wada et al. .... D13/156  
D558,765 S \* 1/2008 Fidler et al. .... D14/385  
D576,166 S \* 9/2008 Mori et al. .... D14/433  
D645,022 S \* 9/2011 Lee et al. .... D14/205  
D680,539 S \* 4/2013 Kim ..... D14/433  
D696,631 S \* 12/2013 Price et al. .... D13/147  
D704,578 S \* 5/2014 Chen et al. .... D10/70  
D707,680 S \* 6/2014 Akana et al. .... D14/433  
D707,681 S \* 6/2014 Akana et al. .... D14/433

\* cited by examiner

(\*\*) Term: **14 Years**

*Primary Examiner* — Austin Murphy

(21) Appl. No.: **29/491,239**

(74) *Attorney, Agent, or Firm* — Banner & Witcoff Ltd.

(22) Filed: **May 19, 2014**

(57) **CLAIM**

(51) **LOC (10) Cl.** ..... **14-02**

The ornamental design for a connector, as shown and described.

(52) **U.S. Cl.**

USPC ..... **D14/433**; D14/411

(58) **Field of Classification Search**

**DESCRIPTION**

USPC ..... D14/356–358, 383–385, 420, 426, 427, D14/432–439, 447, 453, 454, 217, 253, D14/299; D13/107, 108, 133, 146, 147, D13/152, 154, 156, 158, 162, 162.1, 168, D13/173, 177; 439/131, 172–174, 373, 378; 361/679.08, 679.56, 679.21, 679.4

See application file for complete search history.

FIG. 1 is a top front isometric view of a connector showing our new design;  
FIG. 2 is a right side view thereof;  
FIG. 3 is a left side view thereof;  
FIG. 4 is a top view thereof;  
FIG. 5 is a bottom view thereof;  
FIG. 6 is a front view thereof; and,  
FIG. 7 is rear view thereof.

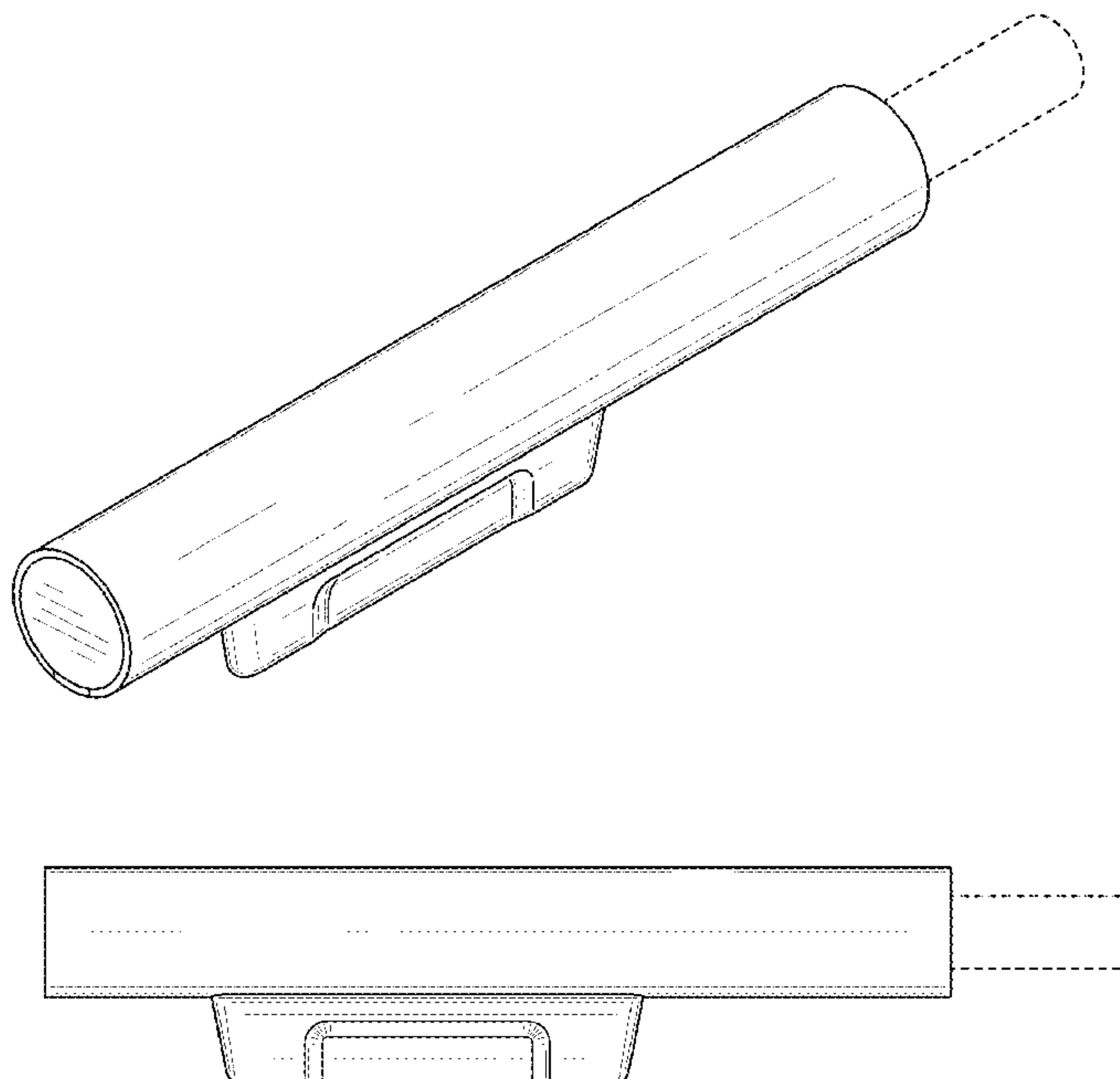
The broken line showing of the cord is for environmental purposes only and form no part of the claimed design.

(56) **References Cited**

**U.S. PATENT DOCUMENTS**

D337,305 S \* 7/1993 Ross et al. .... D13/133  
D445,764 S \* 7/2001 Lee ..... D13/146

**1 Claim, 3 Drawing Sheets**



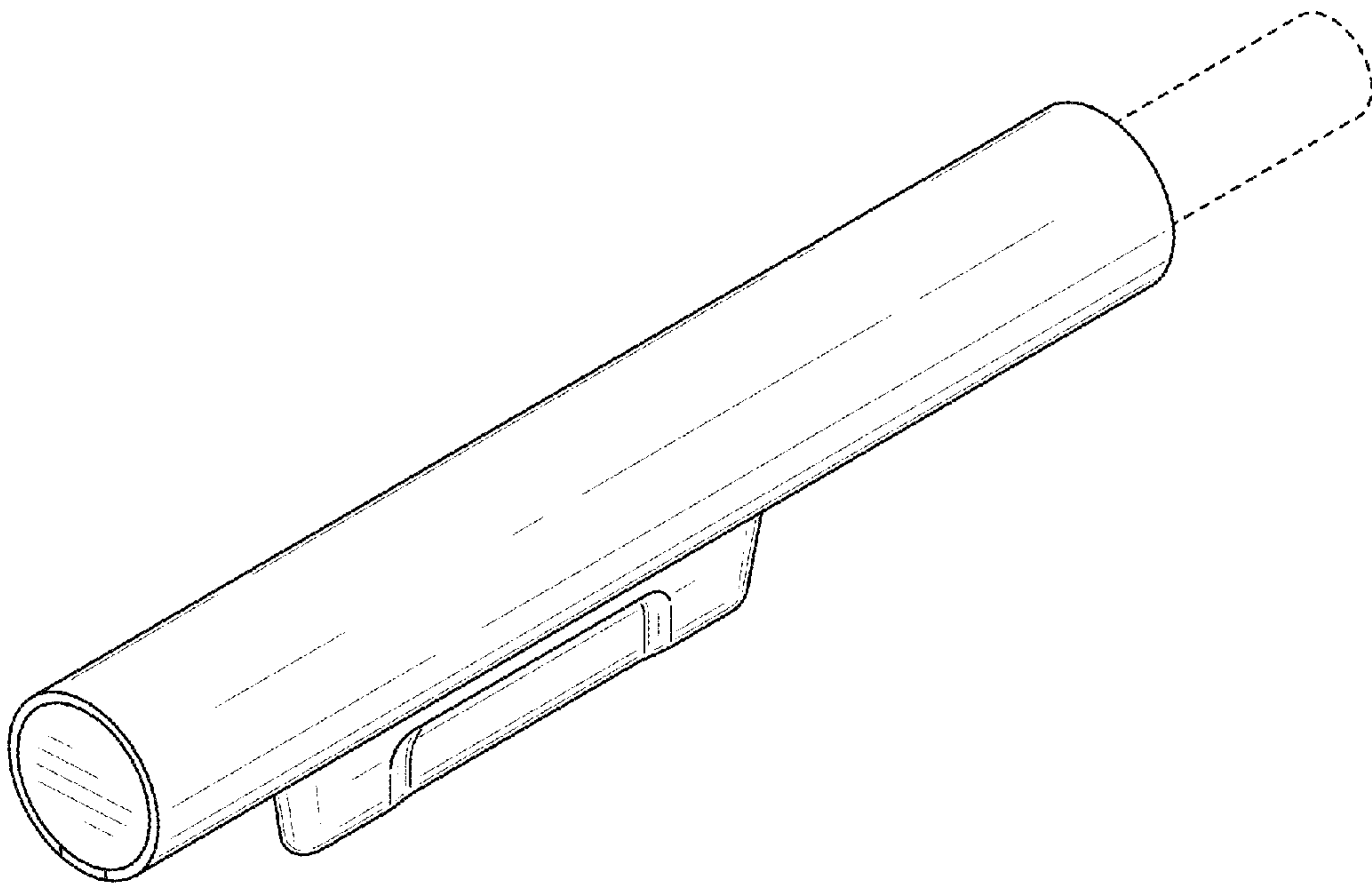


FIG. 1

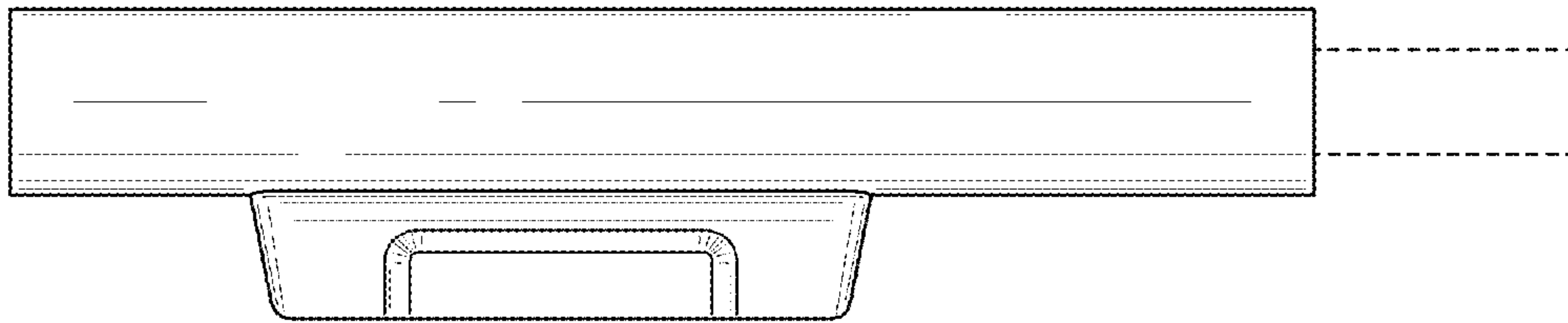


FIG. 2

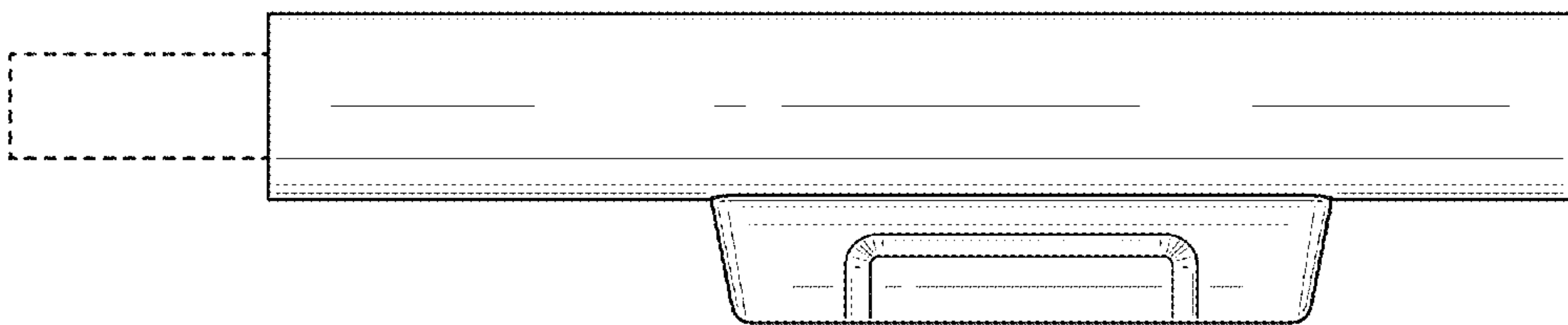


FIG. 3

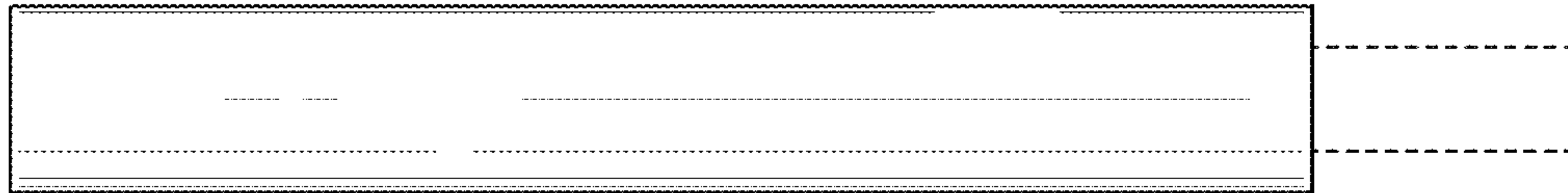


FIG. 4

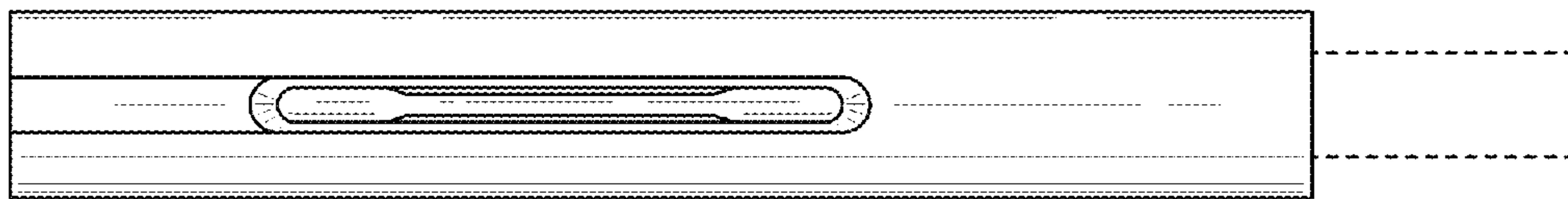


FIG. 5

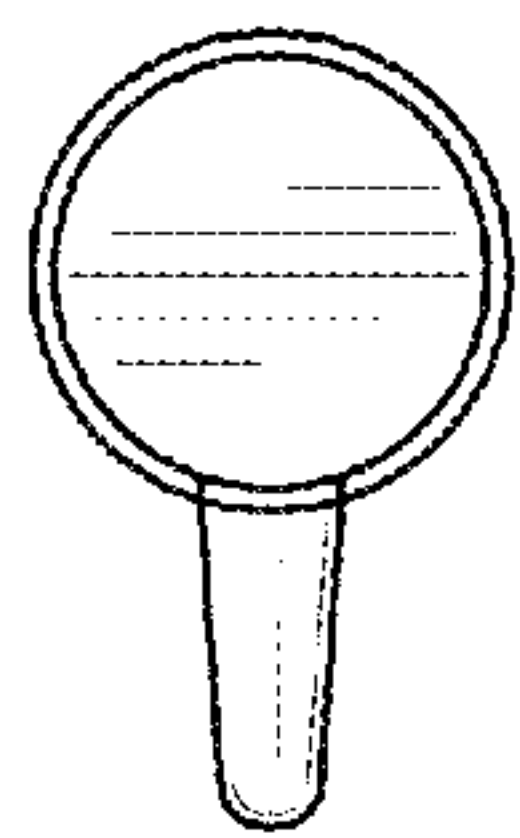


FIG. 6

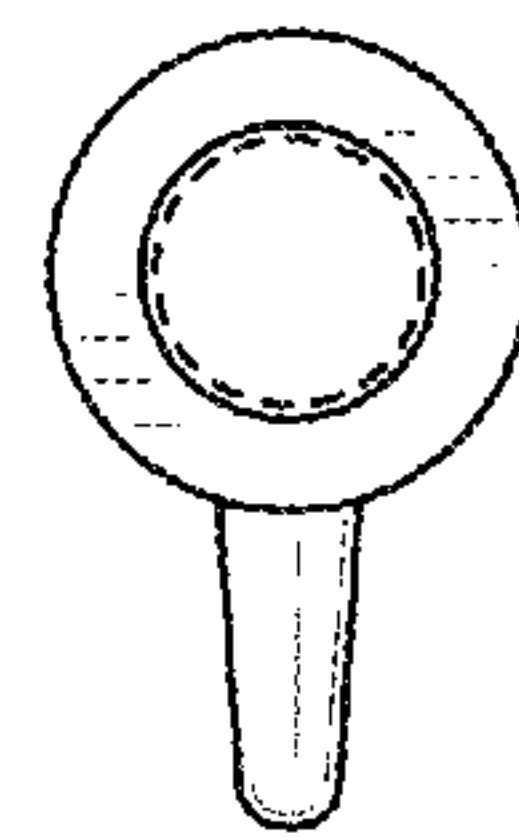


FIG. 7