

US00D723562S

(12) **United States Design Patent**  
**Inada et al.**

(10) **Patent No.:** **US D723,562 S**  
(45) **Date of Patent:** **\*\* Mar. 3, 2015**

(54) **SCANNER**

(71) Applicant: **Brother Industries, Ltd.**, Nagoya-shi,  
Aichi-ken (JP)

(72) Inventors: **Toshiya Inada**, Nagoya (JP); **Yasutake Yamaguchi**, Nagoya (JP)

(73) Assignee: **Brother Industries, Ltd.**, Nagoya (JP)

(\*\*) Term: **14 Years**

(21) Appl. No.: **29/498,661**

(22) Filed: **Aug. 6, 2014**

(30) **Foreign Application Priority Data**

Mar. 14, 2014 (JP) ..... 2014-5439

(51) **LOC (10) Cl.** ..... **14-02**

(52) **U.S. Cl.**  
USPC ..... **D14/422**

(58) **Field of Classification Search**  
USPC ..... D14/420–425, 462–470, 389, 125, 399;  
D18/50, 54, 55, 53, 36–39, 14, 18–21,  
D18/49, 52, 51, 54.4; 358/400, 401, 448,  
358/474, 486–488, 496; 382/312, 317, 321,  
382/315; 400/613, 613.1–613.4,  
400/690.1–690.4, 691–694, 88, 175;  
399/107, 379, 380, 211, 212;  
235/462.11, 462.41, 472.01, 470,  
235/462.43; 361/680, 681

See application file for complete search history.

(56) **References Cited**

**U.S. PATENT DOCUMENTS**

D258,959 S \* 4/1981 Clayton et al. .... D18/54  
D266,671 S \* 10/1982 Turner et al. .... D18/54  
D292,976 S \* 12/1987 Kando ..... D14/466  
D315,360 S \* 3/1991 Tokuda et al. .... D18/54  
D315,361 S \* 3/1991 Kojima et al. .... D18/55

D326,678 S \* 6/1992 Uchibori et al. .... D18/55  
D333,153 S \* 2/1993 Uchibori et al. .... D18/55  
D337,608 S \* 7/1993 Miyamoto ..... D18/55  
D348,054 S \* 6/1994 Minasian et al. .... D14/425  
D350,977 S \* 9/1994 Lewis et al. .... D18/50  
D366,900 S \* 2/1996 Pangburn et al. .... D18/50  
D371,158 S \* 6/1996 Yoshida ..... D18/50  
D372,733 S \* 8/1996 Yoshida ..... D18/55  
D378,099 S \* 2/1997 Yoshida et al. .... D18/36  
D378,598 S \* 3/1997 Chiba et al. .... D18/55  
D379,827 S \* 6/1997 Andre ..... D18/54  
D390,258 S \* 2/1998 Kawahara et al. .... D18/55  
D395,332 S \* 6/1998 Leong et al. .... D18/55  
D399,524 S \* 10/1998 Nakajima ..... D18/50  
D400,571 S \* 11/1998 Shimizu ..... D18/54  
D400,572 S \* 11/1998 Sekine et al. .... D18/54  
D401,271 S \* 11/1998 Nakajima ..... D18/55  
5,893,822 A \* 4/1999 Deni et al. .... 53/512  
D413,142 S \* 8/1999 Pangburn ..... D18/55  
D413,919 S \* 9/1999 Kobayashi et al. .... D18/54  
D419,591 S \* 1/2000 Pangburn ..... D18/54  
D422,570 S \* 4/2000 Kobayashi ..... D14/509  
D430,598 S \* 9/2000 Gerstein et al. .... D18/55  
D432,565 S \* 10/2000 Gasset et al. .... D18/55  
D433,442 S \* 11/2000 Clark, III ..... D18/55

(Continued)

*Primary Examiner* — Susan Moon Lee

(74) *Attorney, Agent, or Firm* — Oliff PLC

(57) **CLAIM**

The ornamental design for a scanner, as shown and described.

**DESCRIPTION**

FIG. 1 is a front, right-side, top perspective view of the scanner;

FIG. 2 is a front elevational view thereof;

FIG. 3 is a top plan view thereof;

FIG. 4 is a right-side elevational view thereof;

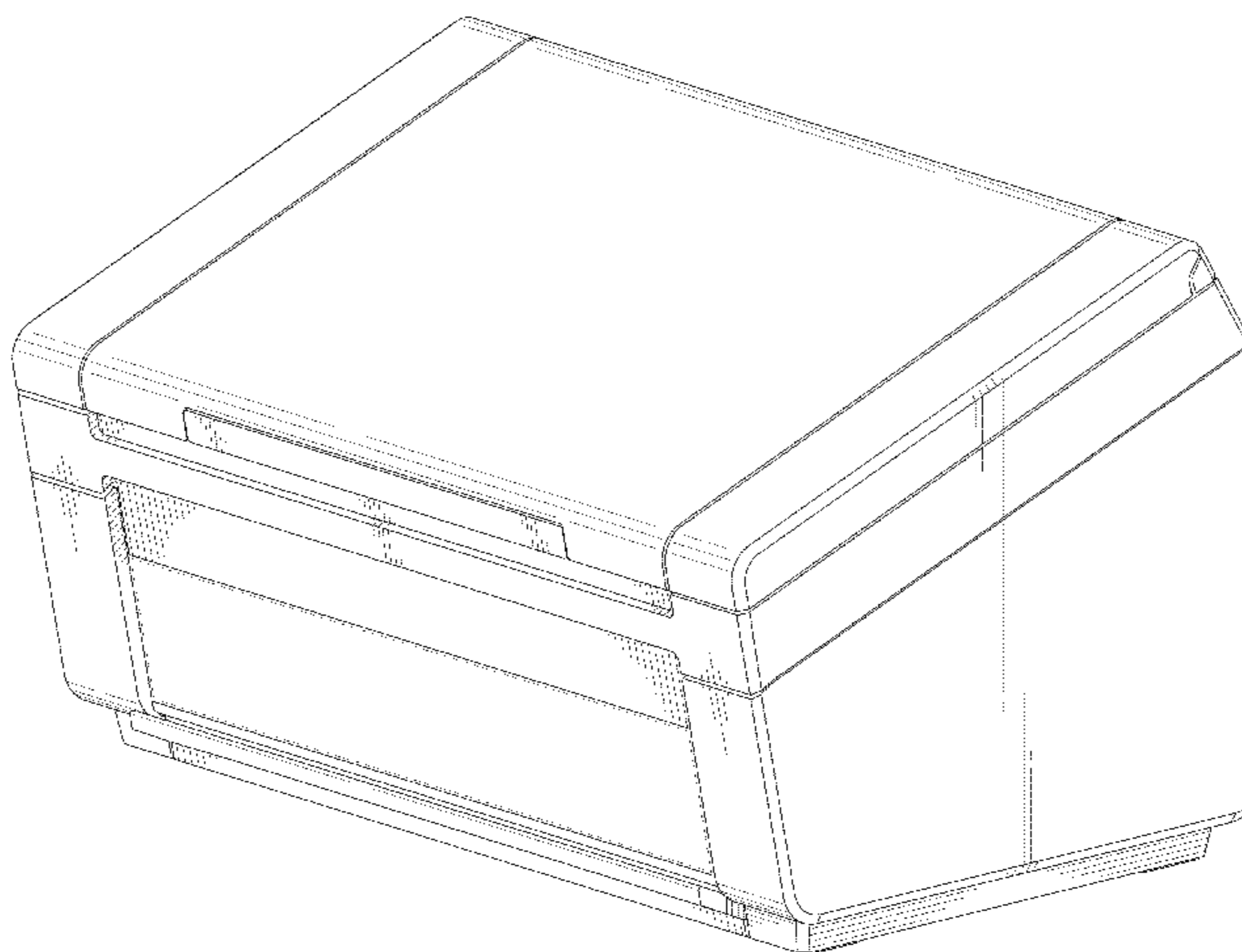
FIG. 5 is a left-side elevational view thereof;

FIG. 6 is a rear elevational view thereof; and,

FIG. 7 is a bottom plan view thereof.

Broken lines and entirely unshaded portions contained within broken line are not claimed.

**1 Claim, 7 Drawing Sheets**



(56)

## References Cited

## U.S. PATENT DOCUMENTS

D435,266	S *	12/2000	Sekine et al.	.....	D18/55
D438,894	S *	3/2001	Bishop et al.	.....	D18/55
D438,895	S *	3/2001	Pangburn	.....	D18/55
D439,272	S *	3/2001	Kobayashi et al.	.....	D18/50
D441,784	S *	5/2001	Leong et al.	.....	D18/55
D442,218	S *	5/2001	Kobayashi et al.	.....	D18/55
6,231,043	B1 *	5/2001	James et al.	.....	271/209
D443,878	S *	6/2001	Sakata et al.	.....	D14/422
D444,813	S *	7/2001	Quijano	.....	D18/55
D445,451	S *	7/2001	Clark et al.	.....	D18/55
D446,306	S *	8/2001	Ochi et al.	.....	D24/186
D448,796	S *	10/2001	Clark et al.	.....	D18/55
D451,130	S *	11/2001	Clark et al.	.....	D18/55
D453,352	S *	2/2002	Yamano et al.	.....	D18/55
D456,020	S *	4/2002	Obata et al.	.....	D14/336
6,367,996	B1 *	4/2002	Edwards	.....	400/582
D459,389	S *	6/2002	Kaseno	.....	D18/50
D462,087	S *	8/2002	Dwyer et al.	.....	D18/55
D463,485	S *	9/2002	Yoshida et al.	.....	D18/50
D466,917	S *	12/2002	Liu	.....	D18/36
D466,923	S *	12/2002	Dwyer et al.	.....	D18/55
D466,924	S *	12/2002	Bowen et al.	.....	D18/55
D468,765	S *	1/2003	Kobayashi et al.	.....	D18/55
D474,806	S *	5/2003	Yamano et al.	.....	D18/55
D478,618	S *	8/2003	Obara	.....	D18/54
D489,754	S *	5/2004	Akahane et al.	.....	D18/55
D497,940	S *	11/2004	Hwang et al.	.....	D18/50
D498,786	S *	11/2004	Suzuki et al.	.....	D18/55
D499,759	S *	12/2004	Kobayashi et al.	.....	D18/55
D501,503	S *	2/2005	Leong et al.	.....	D18/55
6,848,685	B2 *	2/2005	Katsuyama	.....	271/162
D515,623	S *	2/2006	Hattori	.....	D18/55
D516,120	S *	2/2006	Yamano et al.	.....	D18/55
D516,622	S *	3/2006	Suzuki et al.	.....	D18/55
7,029,113	B2 *	4/2006	Hwang	.....	347/108
D523,469	S *	6/2006	Hwang et al.	.....	D18/50
D525,295	S *	7/2006	Suzuki et al.	.....	D18/55
D536,370	S *	2/2007	Smolenski et al.	.....	D18/50
D536,373	S *	2/2007	Inoue et al.	.....	D18/55
D537,869	S *	3/2007	Gant et al.	.....	D18/54
D544,907	S *	6/2007	Tjin Wong Joe et al.	.....	D18/55
D549,705	S *	8/2007	Sugitani et al.	.....	D14/422
7,290,952	B2 *	11/2007	Kagami	.....	400/693
D558,822	S *	1/2008	Smith et al.	.....	D18/55
D571,370	S *	6/2008	Sugitani et al.	.....	D14/422
D577,764	S *	9/2008	Yamano et al.	.....	D18/50
D579,972	S *	11/2008	Meda et al.	.....	D18/50
D598,951	S *	8/2009	Kato et al.	.....	D18/55
D603,894	S *	11/2009	Yamano et al.	.....	D18/55
D609,711	S *	2/2010	Kuroda et al.	.....	D14/453
D610,146	S *	2/2010	Kuroda et al.	.....	D14/422
D610,147	S *	2/2010	Kuroda et al.	.....	D14/422
D610,148	S *	2/2010	Kuroda et al.	.....	D14/422
D610,149	S *	2/2010	Kuroda et al.	.....	D14/422
D610,151	S *	2/2010	Kuroda et al.	.....	D14/453
D610,152	S *	2/2010	Kuroda et al.	.....	D14/453
D610,154	S *	2/2010	Kuroda et al.	.....	D14/453
D610,155	S *	2/2010	Kuroda et al.	.....	D14/453
7,722,033	B2 *	5/2010	Matsumoto et al.	.....	271/162
D616,889	S *	6/2010	Kuroda et al.	.....	D14/422
D632,295	S *	2/2011	Kuroda	.....	D14/422
D642,179	S *	7/2011	Kuroda et al.	.....	D14/422
D643,462	S *	8/2011	Yamashita et al.	.....	D18/50
D643,874	S *	8/2011	Kim et al.	.....	D18/55
D648,379	S *	11/2011	Ishikawa et al.	.....	D18/50
8,169,669	B2 *	5/2012	Yoshida et al.	.....	358/471
D667,050	S *	9/2012	Takeuchi	.....	D18/50
D669,080	S *	10/2012	Iwai et al.	.....	D14/422
D669,081	S *	10/2012	Iwai et al.	.....	D14/422
D669,526	S *	10/2012	Sakurai	.....	D18/50
D672,387	S *	12/2012	Kim et al.	.....	D18/50
D672,388	S *	12/2012	Kim et al.	.....	D18/50
8,330,998	B2 *	12/2012	Yoshida et al.	.....	358/474
D676,902	S *	2/2013	Gilbert et al.	.....	D18/50
D676,903	S *	2/2013	Kim et al.	.....	D18/50
D677,328	S *	3/2013	Kim et al.	.....	D18/50
D682,328	S *	5/2013	Day et al.	.....	D15/146
D682,329	S *	5/2013	Day et al.	.....	D15/146
D683,394	S *	5/2013	Suzuki et al.	.....	D18/50
D685,413	S *	7/2013	Jihoon et al.	.....	D18/50
D687,436	S *	8/2013	Penke et al.	.....	D14/422
D696,339	S *	12/2013	Hasui et al.	.....	D18/34.3
D700,908	S *	3/2014	Taniho et al.	.....	D14/422
8,699,101	B2 *	4/2014	Mukai	.....	358/498
8,746,681	B2 *	6/2014	Mizuno et al.	.....	271/145
D713,845	S *	9/2014	Taniho et al.	.....	D14/422
2003/0206762	A1 *	11/2003	Hwang et al.	.....	400/693
2005/0094227	A1 *	5/2005	Hwang et al.	.....	358/498
2007/0188818	A1 *	8/2007	Westcott et al.	.....	358/296
2009/0255971	A1 *	10/2009	Nakamaki et al.	.....	226/1
2010/0053701	A1 *	3/2010	Yoshida et al.	.....	358/474
2010/0060948	A1 *	3/2010	Yoshida et al.	.....	358/474
2013/0222867	A1 *	8/2013	Tomita	.....	358/498

\* cited by examiner



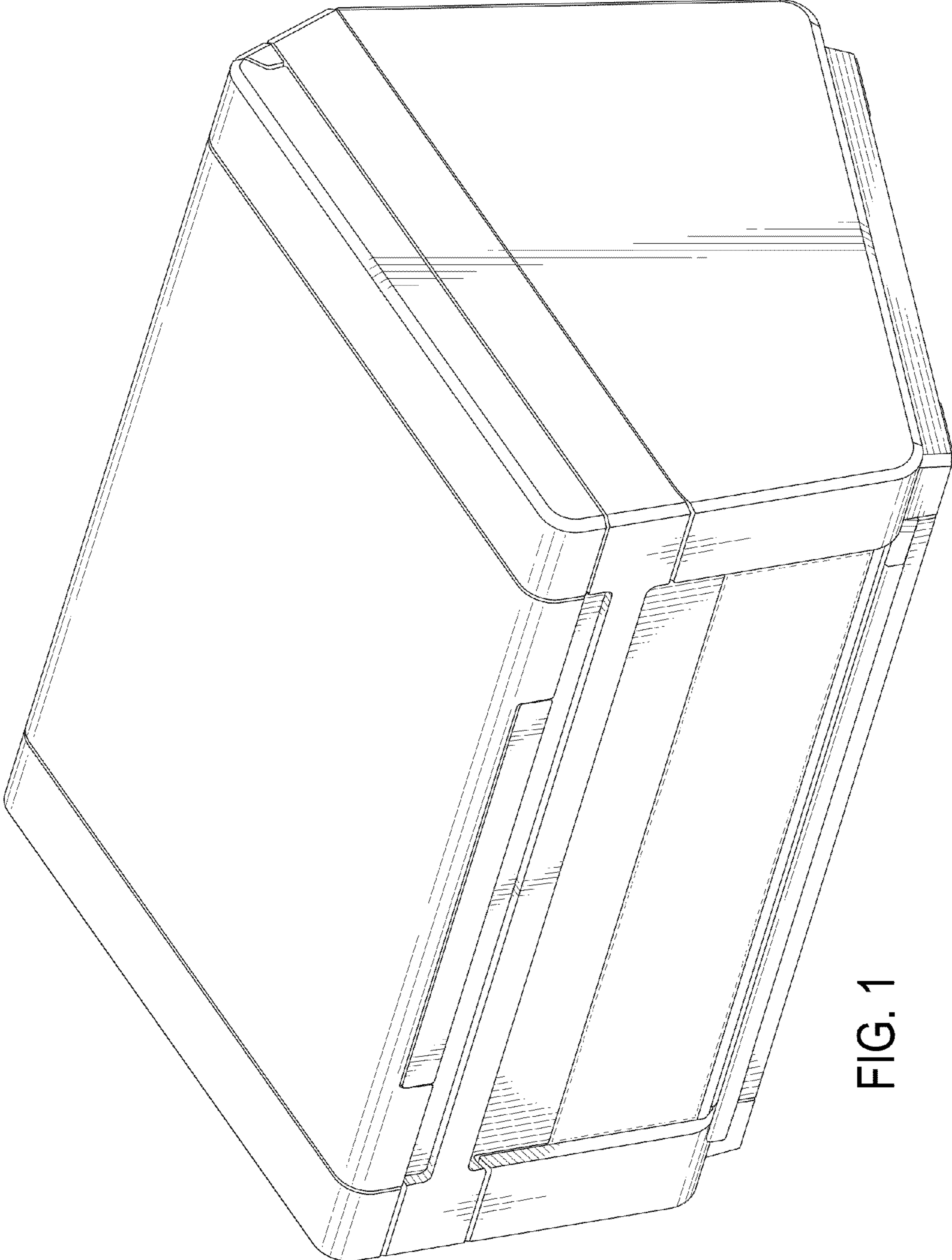


FIG. 1

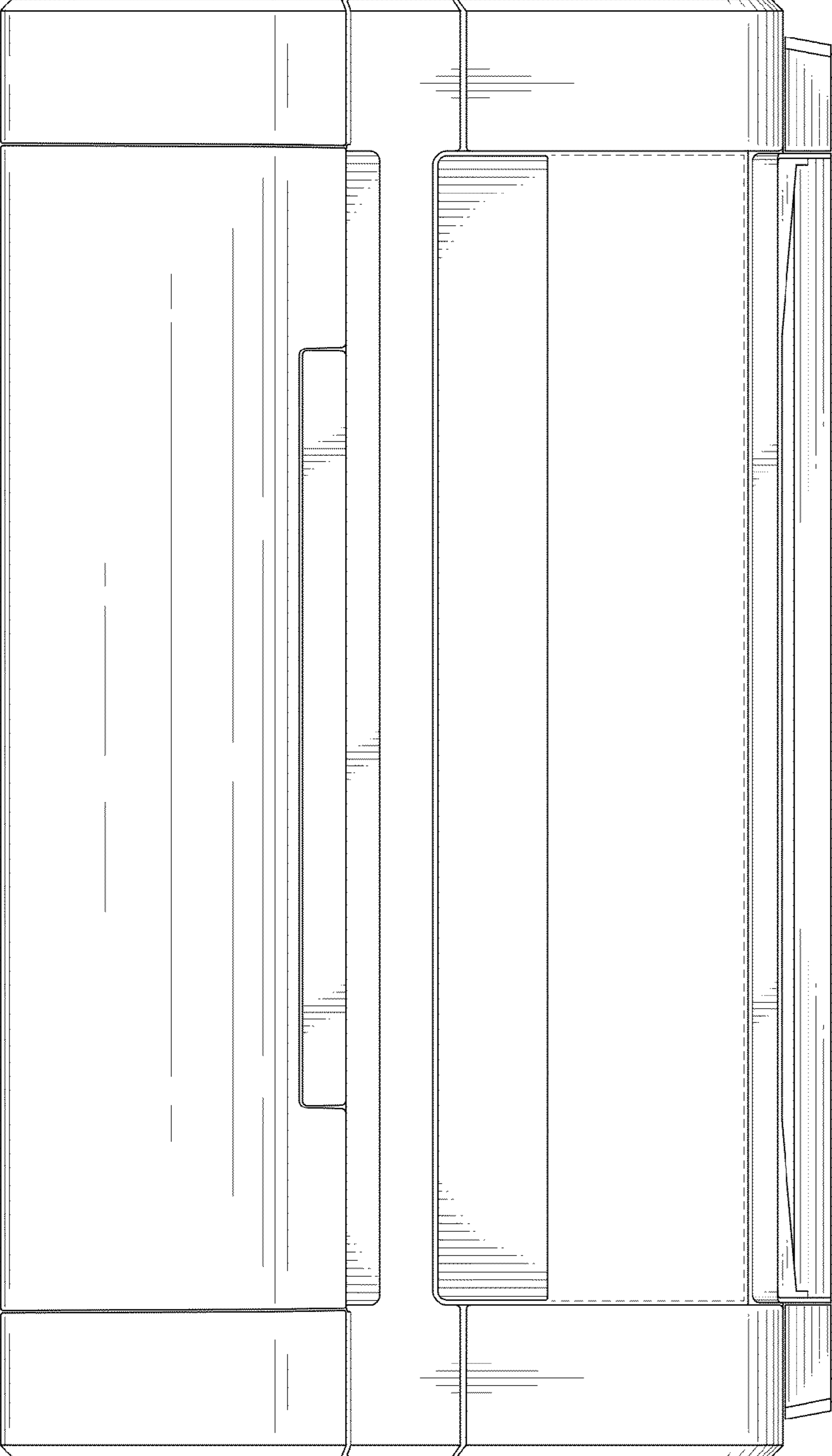


FIG. 2

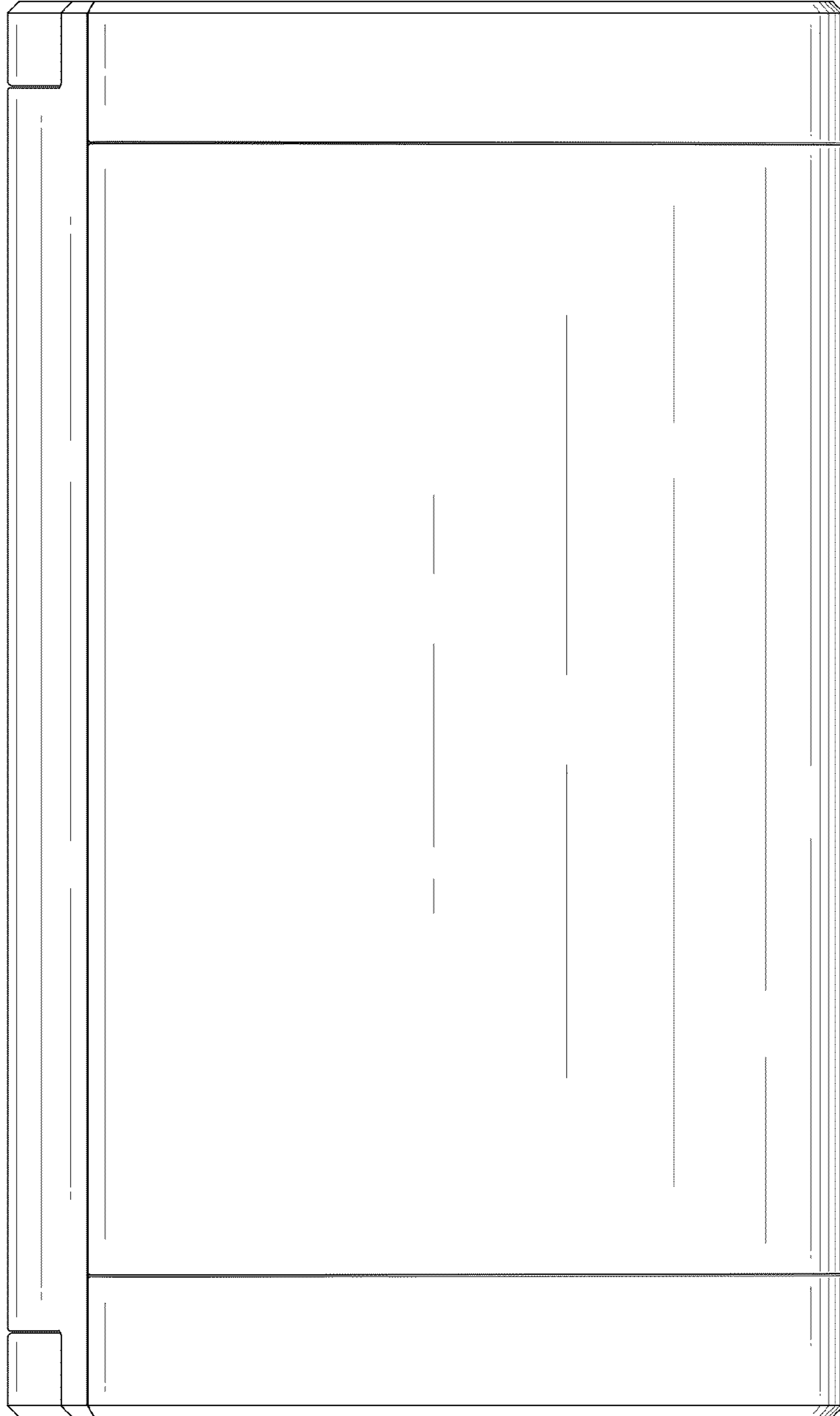


FIG. 3

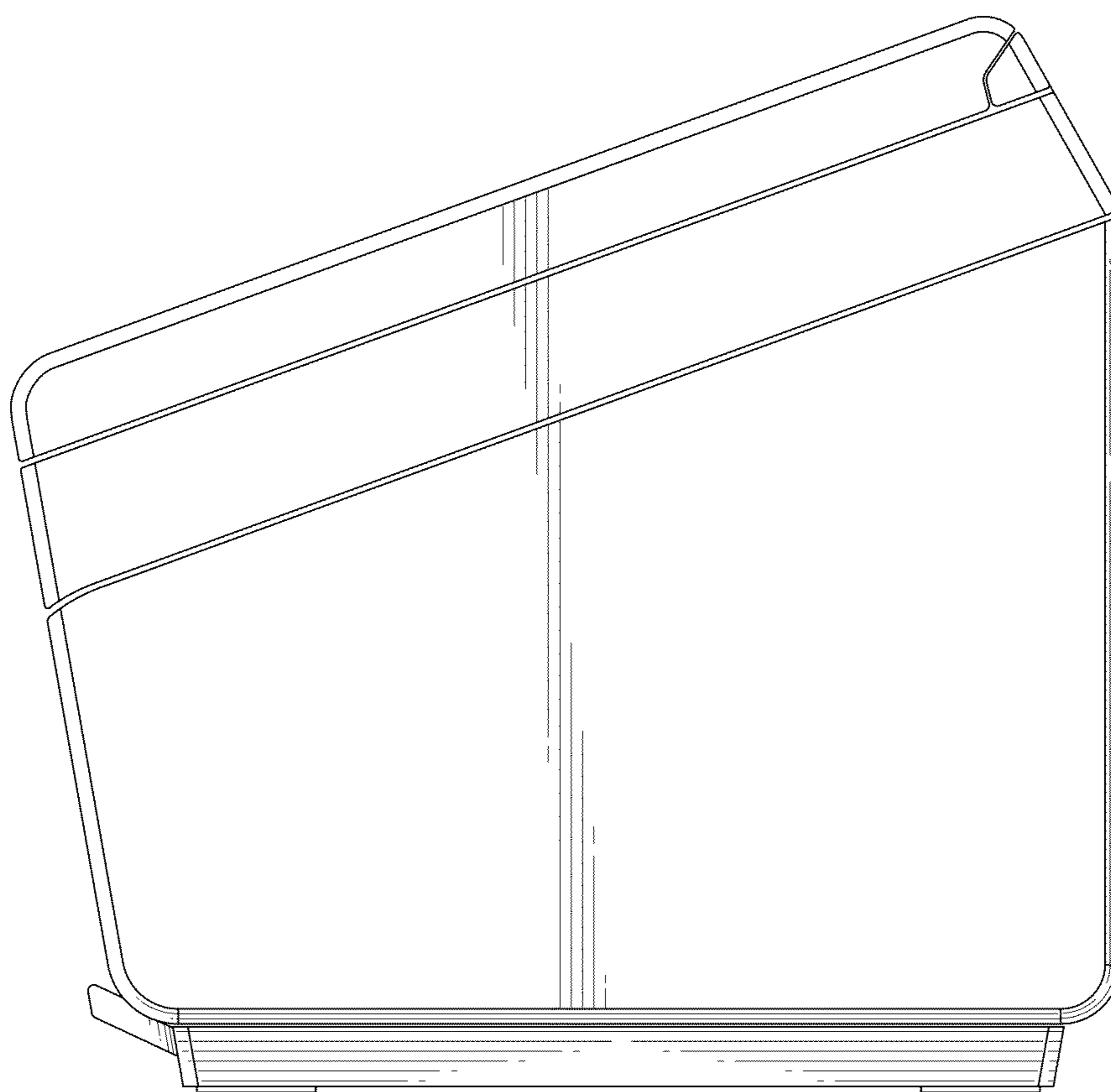


FIG. 4

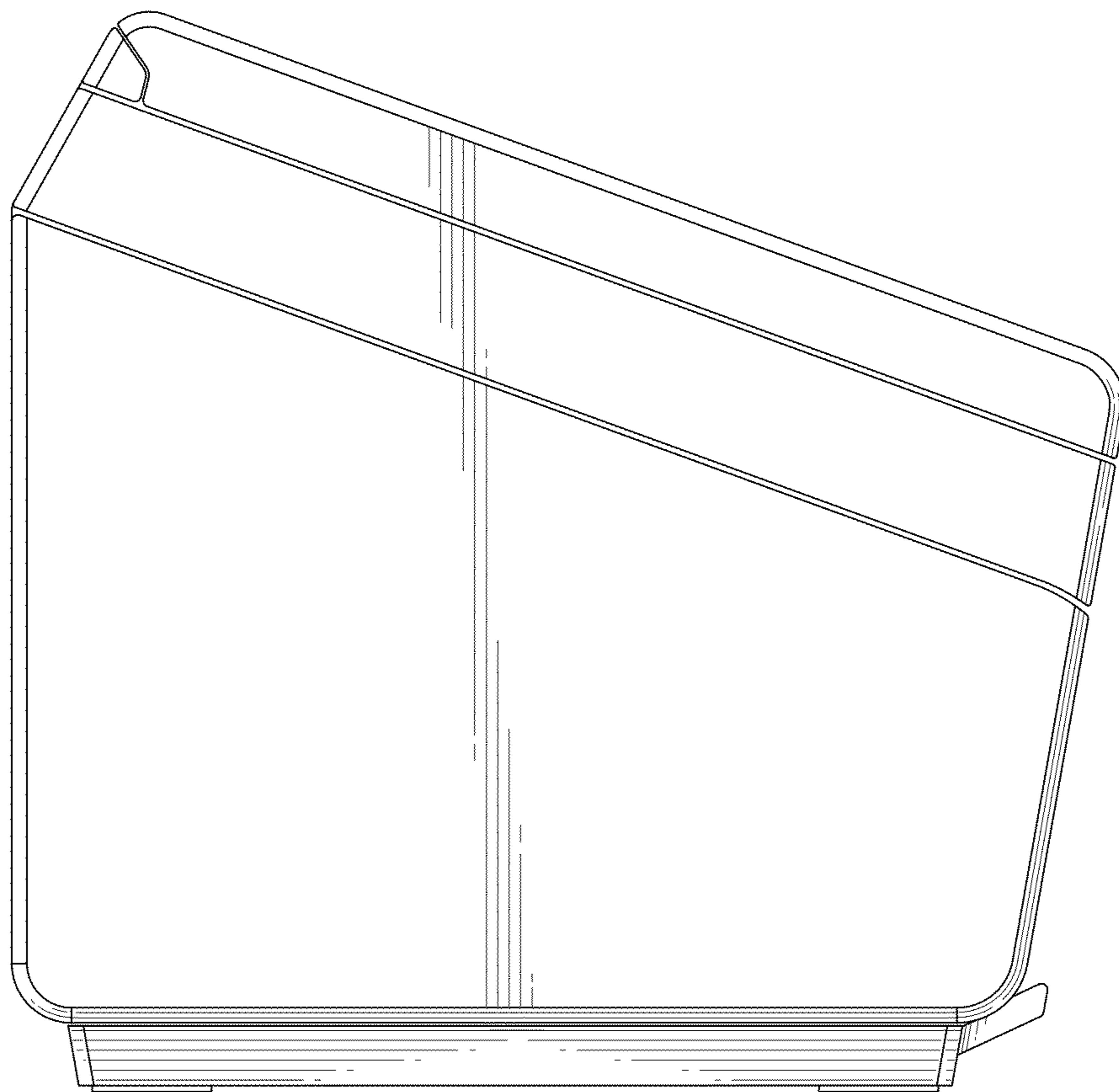


FIG. 5

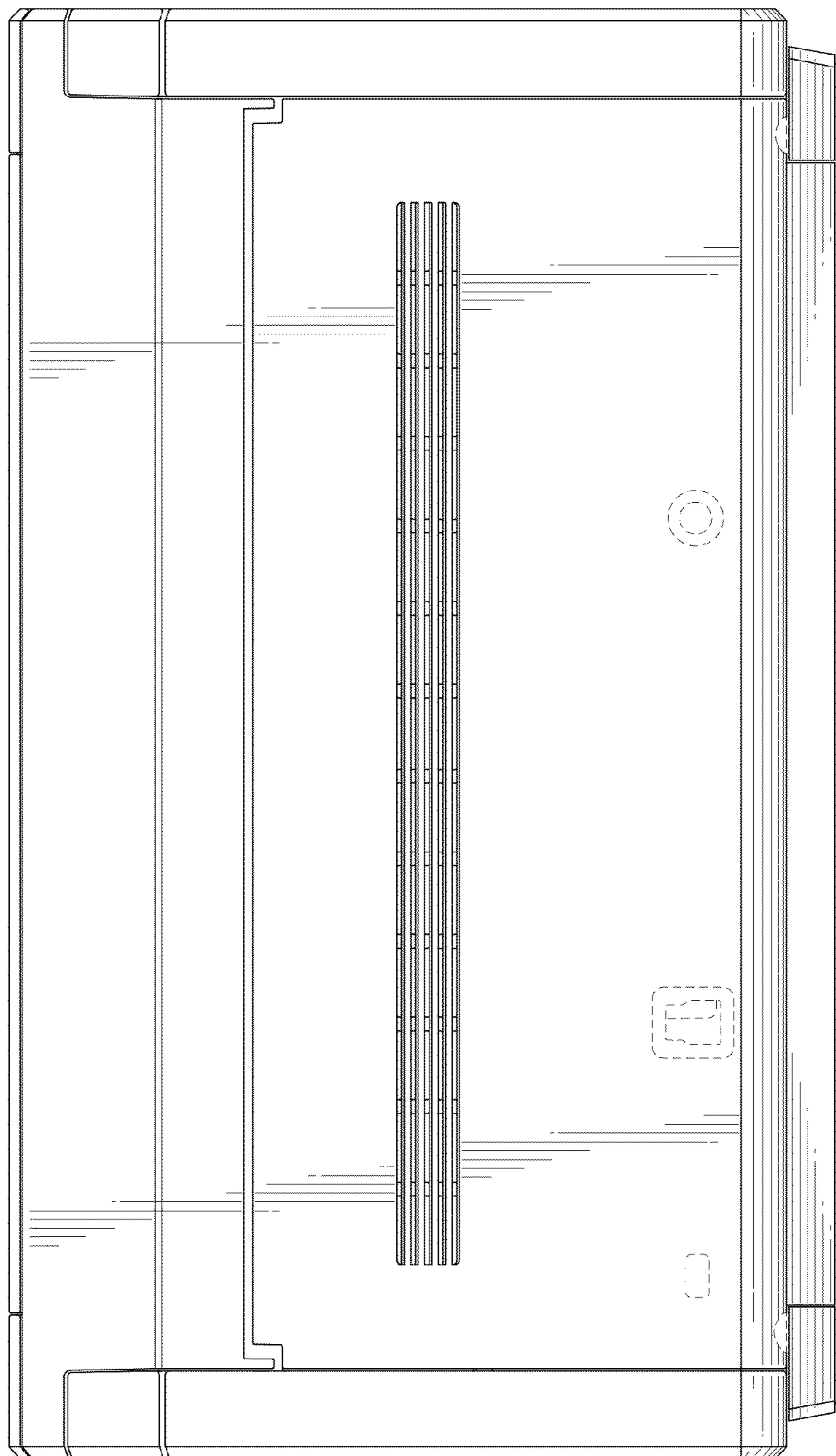


FIG. 6



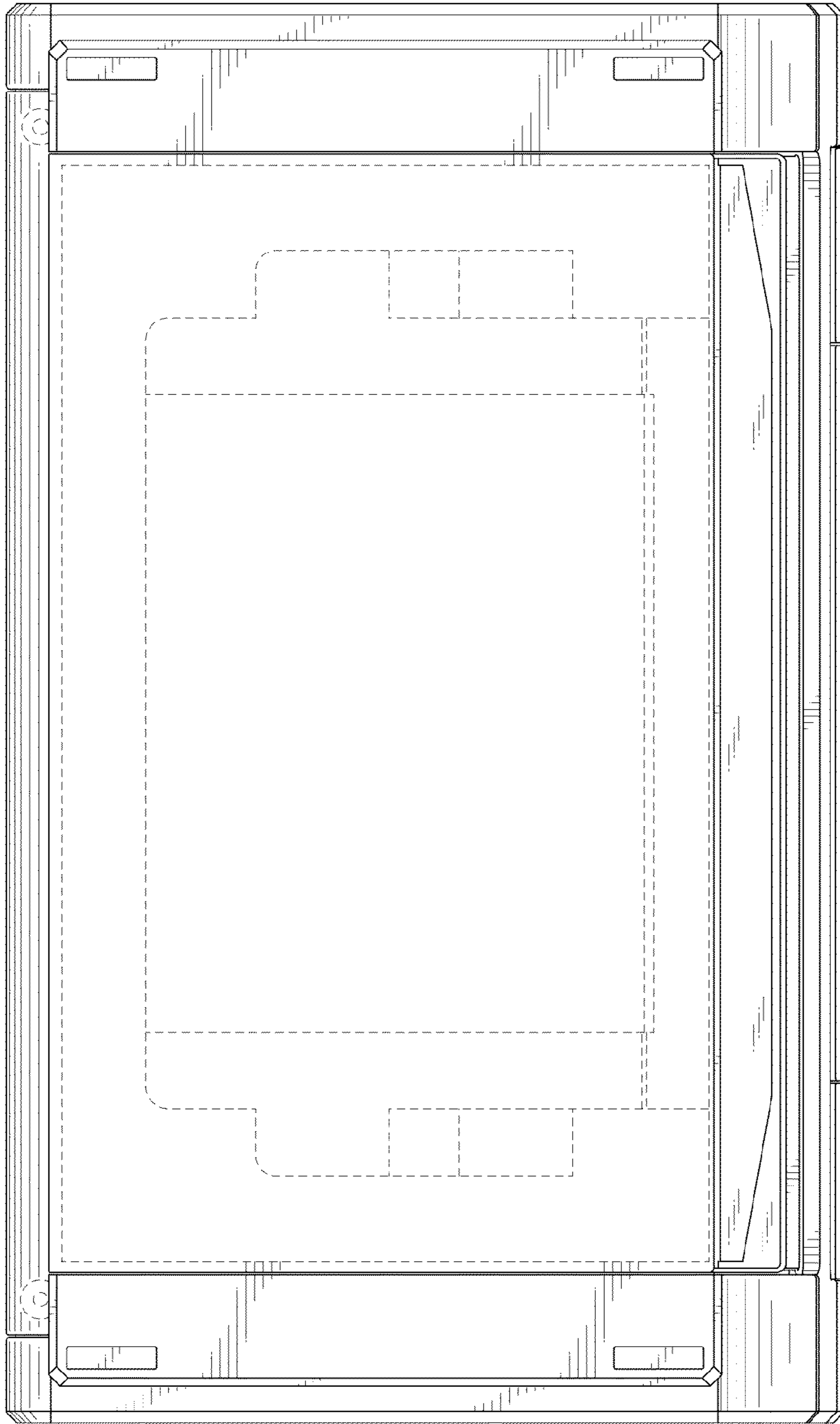


FIG. 7