



US00D723561S

(12) **United States Design Patent**  
**Buel et al.**

(10) **Patent No.:** **US D723,561 S**  
(45) **Date of Patent:** **\*\* Mar. 3, 2015**

(54) **THREE-DIMENSIONAL SCANNER**

(71) Applicant: **MakerBot Industries, LLC**, Brooklyn, NY (US)

(72) Inventors: **William B. Buel**, New York, NY (US);  
**Vishnu Ananatha**, Queens, NY (US);  
**Taylor S. Goodman**, Chappaqua, NY (US)

(73) Assignee: **MakerBot Industries, LLC**, Brooklyn, NY (US)

(\*\*) Term: **14 Years**

(21) Appl. No.: **29/462,058**

(22) Filed: **Jul. 30, 2013**

(51) **LOC (10) Cl.** ..... **14-02**

(52) **U.S. Cl.**  
USPC ..... **D14/420**

(58) **Field of Classification Search**  
USPC ..... D14/420-423, 385; 433/222.1, 223,  
433/213-215, 73, 24, 29, 37, 202.1;  
700/98, 97, 118, 161, 163, 182;  
264/16, 17, 19, 219, 225; 374/1;  
707/104.1; 249/54; 600/590; D20/1-9;  
194/205, 206, 244, 321, 345, 346, 350;  
D18/3.3, 4.4, 12, 49; D99/28, 43;  
235/381

See application file for complete search history.

(56) **References Cited**

**U.S. PATENT DOCUMENTS**

2,905,758	A *	9/1959	Walker	348/39
3,135,987	A *	6/1964	Huch	15/104.92
3,505,465	A *	4/1970	Rees	348/36
D221,860	S *	9/1971	Cramer et al.	D14/385
3,959,582	A *	5/1976	Law et al.	348/37
4,024,573	A *	5/1977	Carnes	348/37
D256,102	S *	7/1980	Hayward	D10/78
4,499,490	A *	2/1985	Morgan	348/37

5,270,842	A *	12/1993	Clay et al.	359/12
5,598,292	A *	1/1997	Yoshikawa et al.	359/216.1
5,907,312	A *	5/1999	Sato et al.	345/31
RE36,393	E *	11/1999	Glaser-Inbari	369/44.23
6,057,953	A *	5/2000	Ang	359/204.1
6,154,259	A *	11/2000	Hargis et al.	348/756
6,219,168	B1 *	4/2001	Wang	359/216.1
6,226,126	B1 *	5/2001	Conemac	359/618
D450,000	S *	11/2001	Van	D10/46
6,330,088	B1 *	12/2001	Klug et al.	359/23
D469,025	S *	1/2003	Chen	D10/46
D472,022	S *	3/2003	Thau	D32/1
6,678,081	B2 *	1/2004	Nishihata et al.	359/207.2
D526,583	S *	8/2006	Wakamatsu et al.	D10/46
D530,631	S *	10/2006	Tsuruta et al.	D10/46
7,812,970	B2 *	10/2010	Nygaard	356/602
8,054,520	B2 *	11/2011	Noh et al.	359/200.1
8,072,665	B2 *	12/2011	Lee et al.	359/200.1
8,107,146	B2 *	1/2012	Noh et al.	359/198.1
8,130,432	B2 *	3/2012	Lee et al.	359/200.1
8,132,802	B2 *	3/2012	Kolodge et al.	269/275
D662,843	S *	7/2012	Ginther et al.	D10/78
8,215,552	B1 *	7/2012	Rambadt	235/435

(Continued)

*Primary Examiner* — Susan Moon Lee

(74) *Attorney, Agent, or Firm* — Strategic Patents, P.C.

(57) **CLAIM**

We claim the ornamental design for a three-dimensional scanner, as shown and described.

**DESCRIPTION**

FIG. 1 is a front perspective view of a three-dimensional scanner;

FIG. 2 is a front view thereof.

FIG. 3 is a rear view thereof.

FIG. 4 is a left side view thereof.

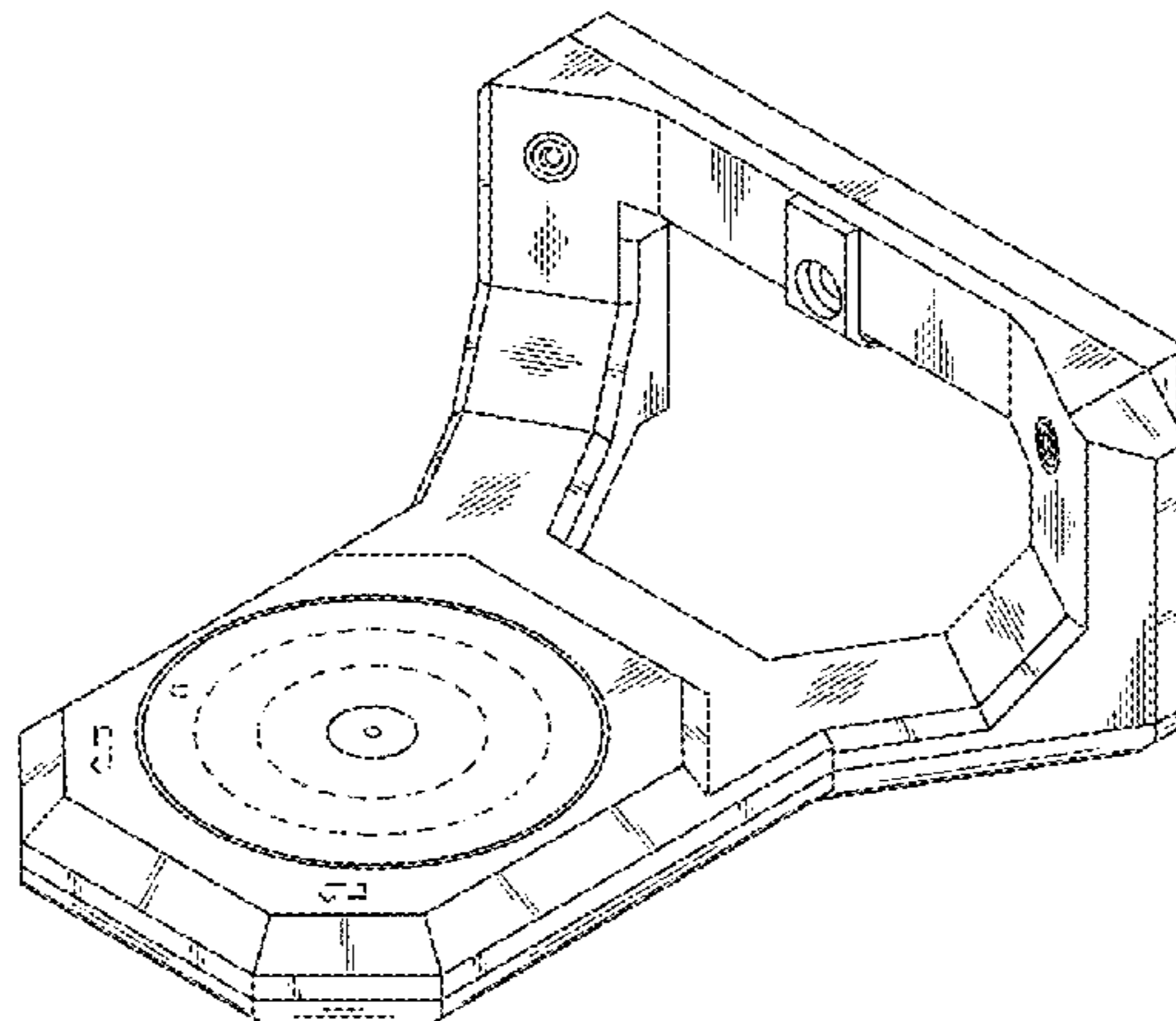
FIG. 5 is a right side view thereof.

FIG. 6 is a top view thereof; and,

FIG. 7 is a bottom view thereof.

Broken lines and entirely unshaded portions contained within broken line are not claimed.

**1 Claim, 4 Drawing Sheets**



(56)

**References Cited**

U.S. PATENT DOCUMENTS

8,284,234	B2 *	10/2012	Bjelkhagen et al.	.....	348/40	2009/0237677	A1 *	9/2009	Aoki et al.	.....	356/602
D711,883	S *	8/2014	Brunner et al.	.....	D14/420	2010/0020377	A1 *	1/2010	Borchers et al.	.....	359/216.1
2005/0072605	A1 *	4/2005	Kunzi et al.	.....	177/126	2010/0118362	A1 *	5/2010	Lee et al.	.....	359/198.1
2005/0174581	A1 *	8/2005	Liu	.....	356/602	2010/0118364	A1 *	5/2010	Noh et al.	.....	359/200.3
2008/0068197	A1 *	3/2008	Neubauer et al.	.....	340/686.1	2010/0118371	A1 *	5/2010	Lee et al.	.....	359/221.2
2009/0051929	A1 *	2/2009	Koh et al.	.....	356/602	2011/0261154	A1 *	10/2011	Chang	.....	348/40
2009/0103107	A1 *	4/2009	Nygaard	.....	356/602	2013/0127986	A1 *	5/2013	Richards et al.	.....	348/40
						2013/0342661	A1 *	12/2013	Ishii et al.	.....	348/49
						2014/0085695	A1 *	3/2014	Borchers et al.	.....	359/201.2
						2014/0104621	A1 *	4/2014	Ichimaru	.....	356/602

\* cited by examiner

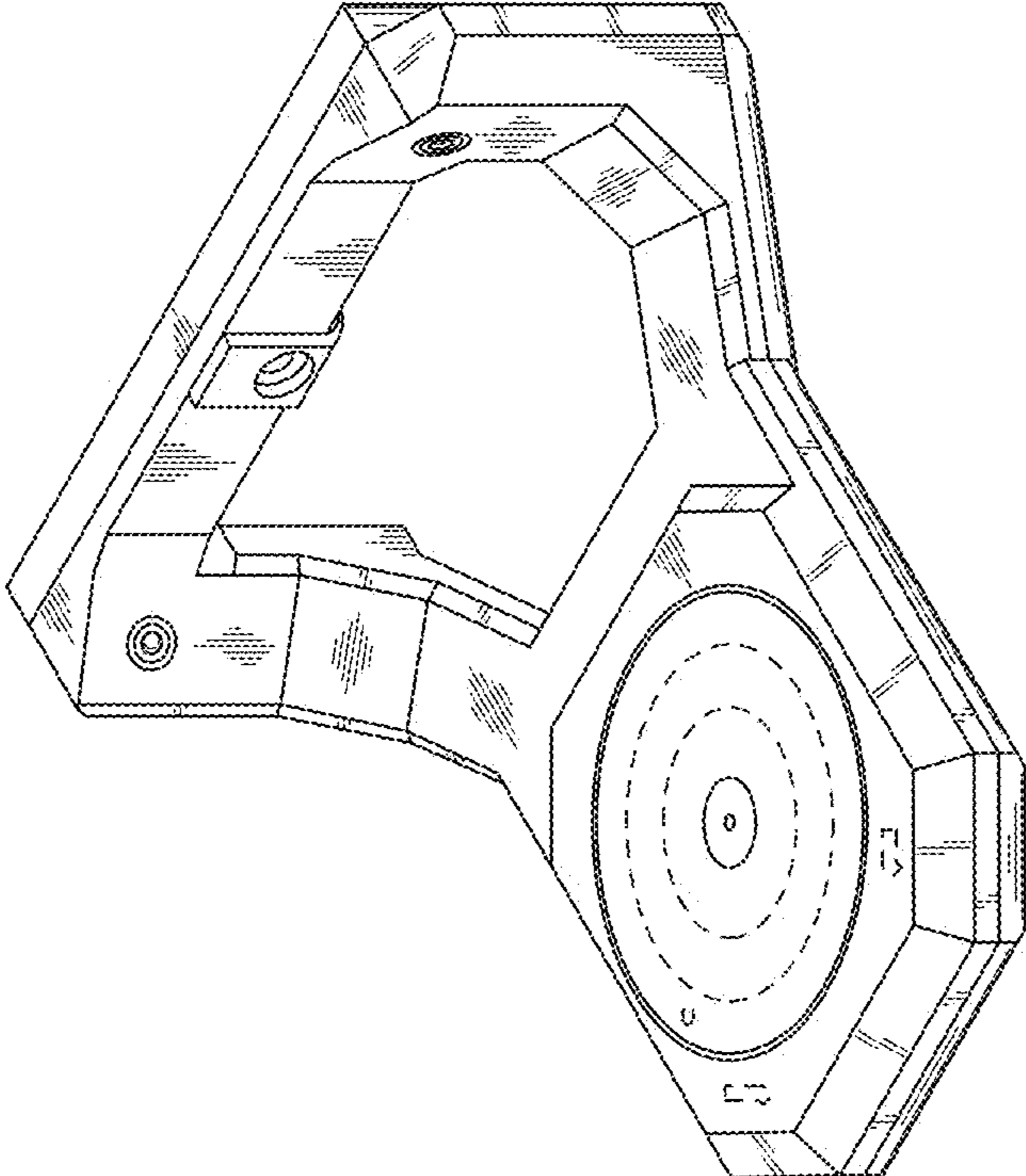


FIG. 1

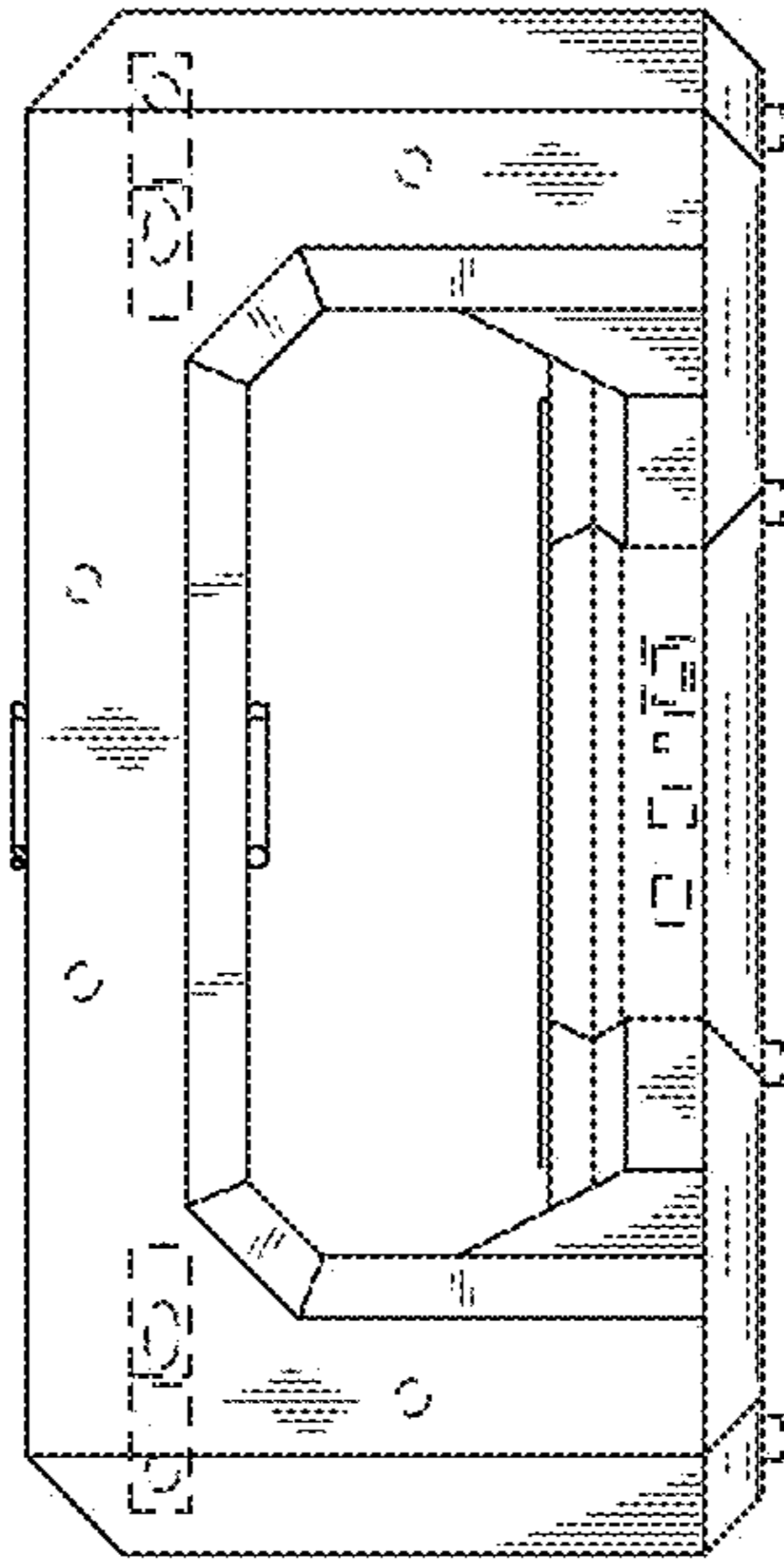


FIG. 3

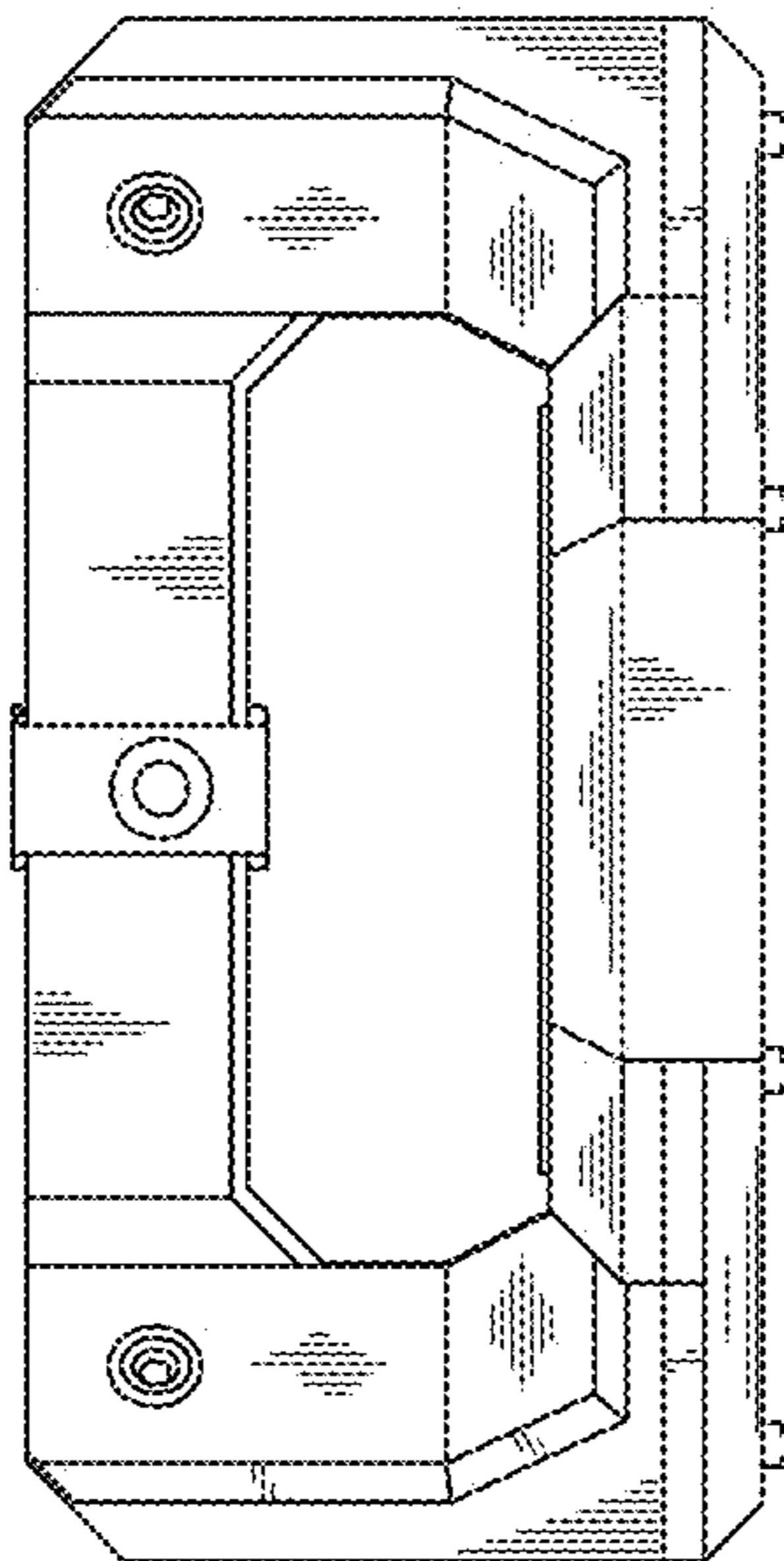


FIG. 2

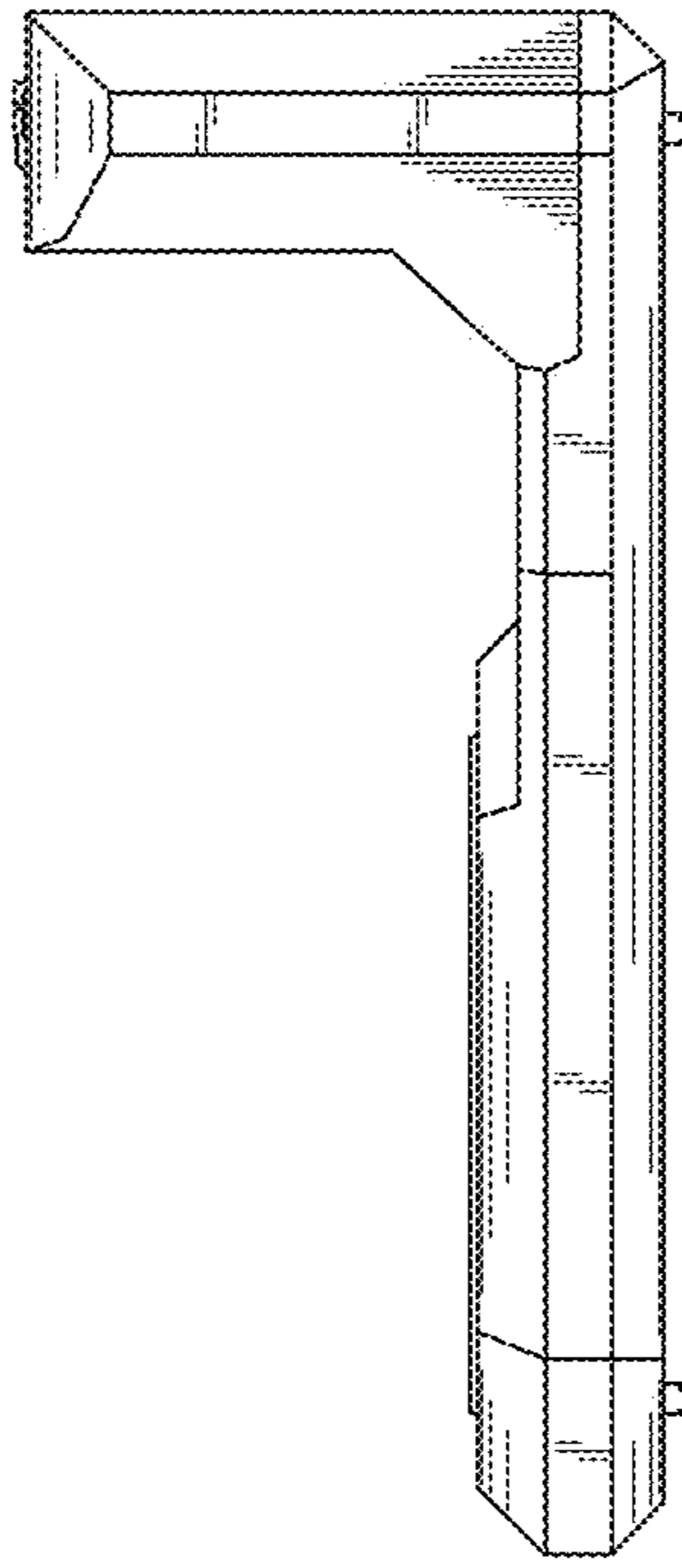


FIG. 4

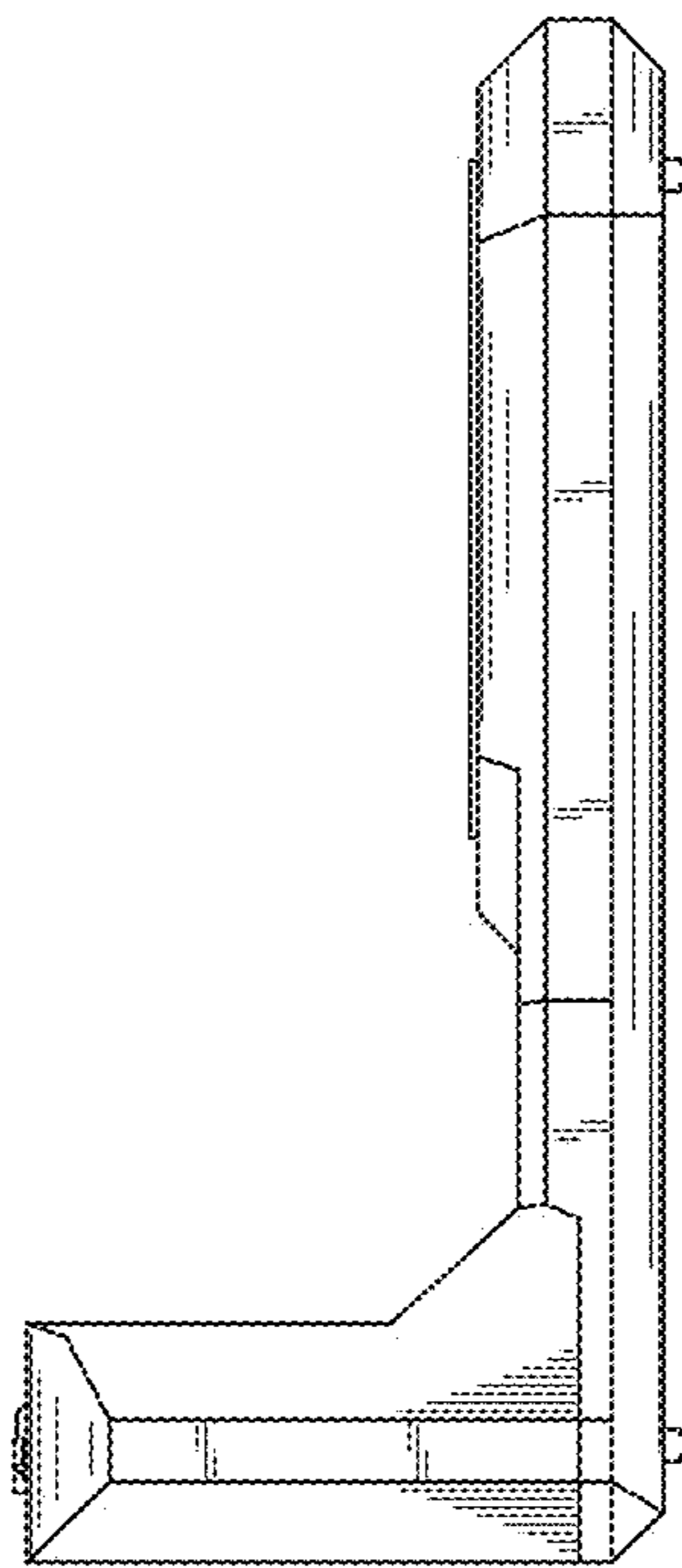


FIG. 5

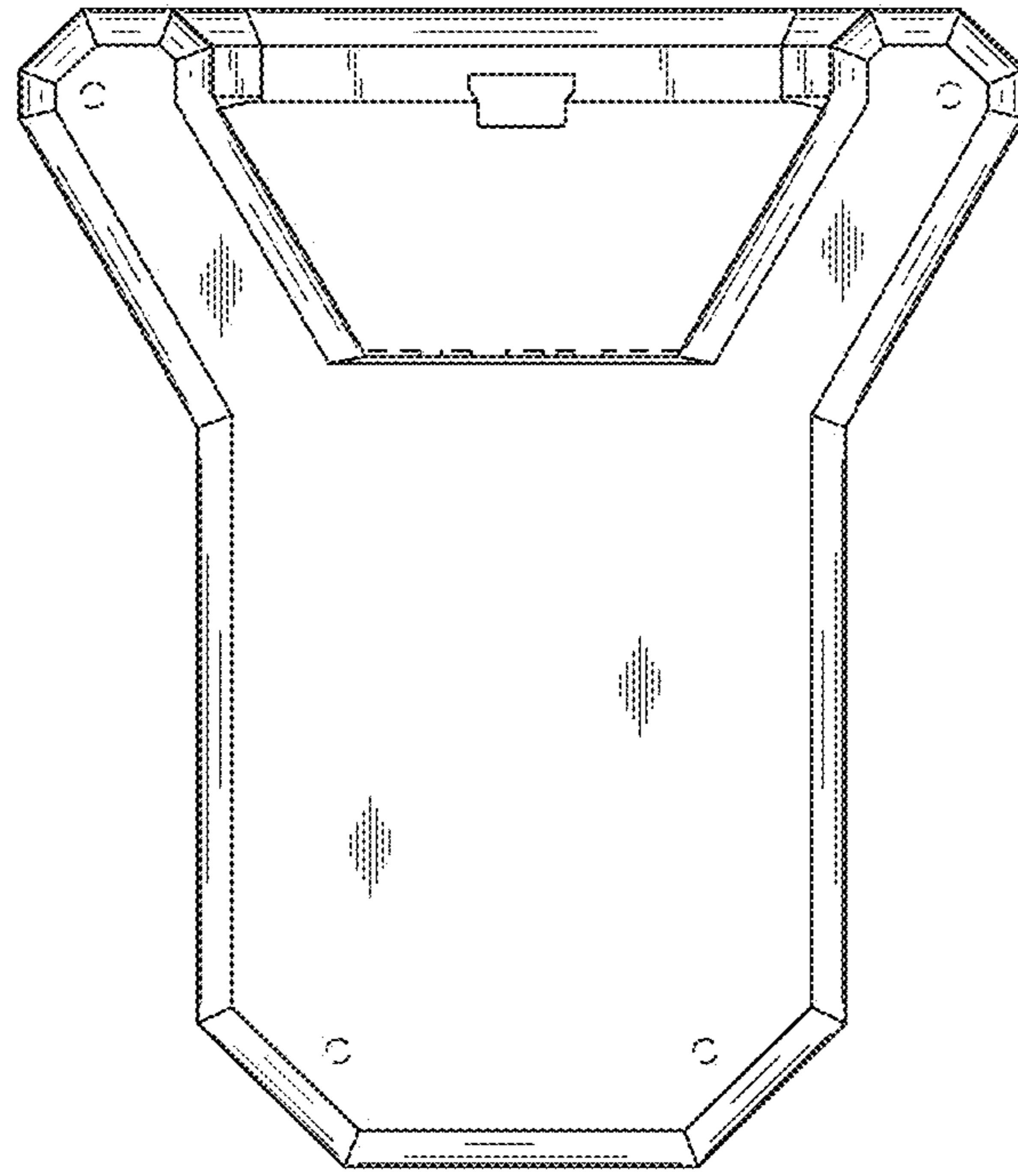


FIG. 6

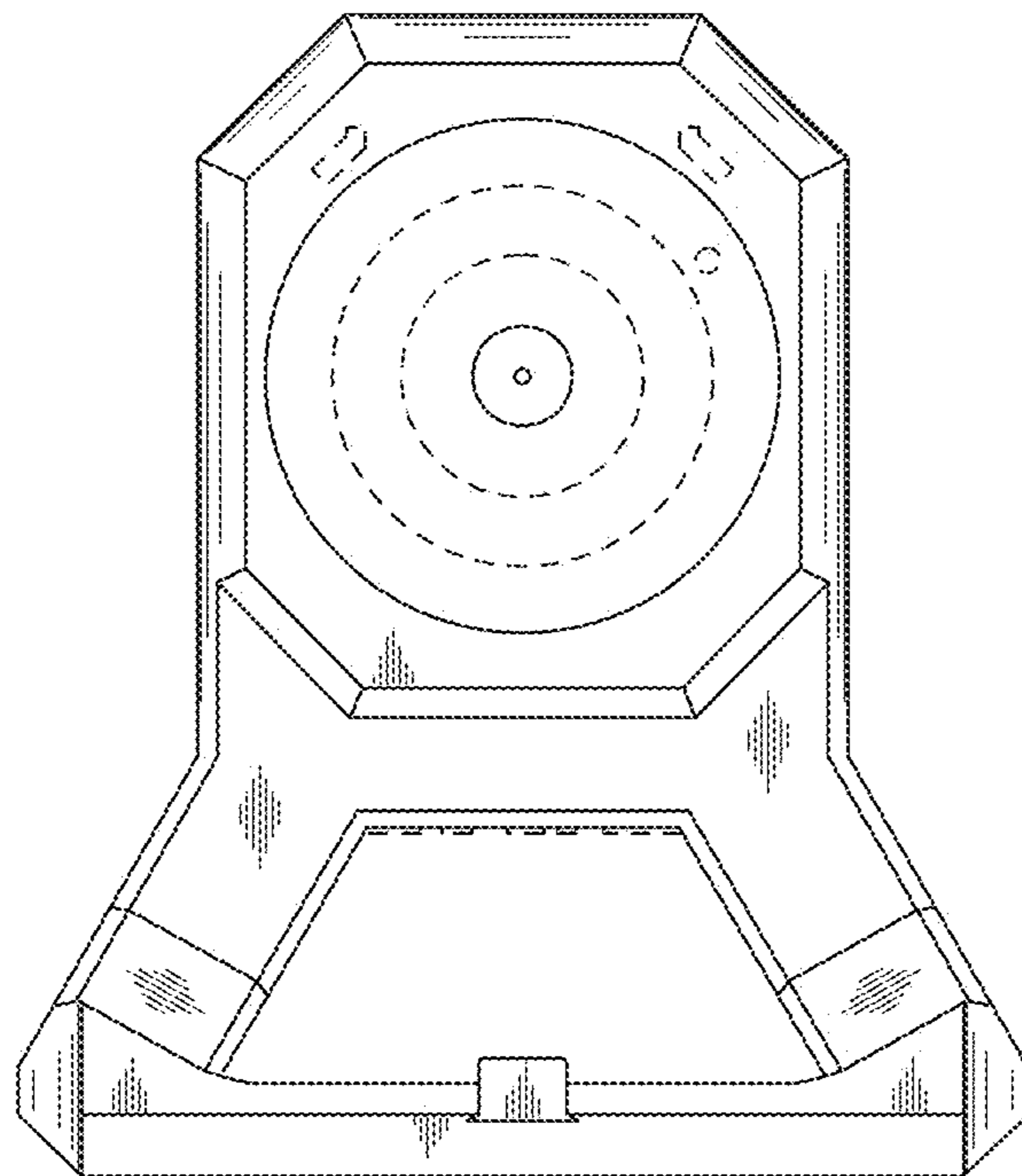


FIG. 7

UNITED STATES PATENT AND TRADEMARK OFFICE  
**CERTIFICATE OF CORRECTION**

PATENT NO. : D723,561 S  
APPLICATION NO. : 29/462058  
DATED : March 3, 2015  
INVENTOR(S) : William B. Buel et al.

Page 1 of 1

It is certified that error appears in the above-identified patent and that said Letters Patent is hereby corrected as shown below:

On the Title Page

Item (72) Inventors, "Vishnu Ananatha, Queens, NY (US)" should read -- Vishnu Anantha,  
Queens, NY (US) --

Signed and Sealed this  
Twenty-ninth Day of August, 2017



Joseph Matal  
*Performing the Functions and Duties of the  
Under Secretary of Commerce for Intellectual Property and  
Director of the United States Patent and Trademark Office*