



US00D723560S

(12) **United States Design Patent**  
**Zhou et al.**

(10) **Patent No.:** **US D723,560 S**  
(45) **Date of Patent:** **\*\* Mar. 3, 2015**

(54) **SCANNER**

(71) Applicant: **Hand Held Products, Inc.**, Fort Mill, SC (US)

(72) Inventors: **Peng Zhou**, Suzhou (CN); **Yuefeng Mo**, Suzhou (CN); **Mark Lee Oberpriller**, Atlanta, GA (US); **Timothy R. Fitch**, Syracuse, NY (US); **Miansong Chen**, Suzhou (CN)

(73) Assignee: **Hand Held Products, Inc.**, Fort Mill, SC (US)

(\*\*) Term: **14 Years**

(21) Appl. No.: **29/459,823**

(22) Filed: **Jul. 3, 2013**

(51) **LOC (10) Cl.** ..... **14-02**

(52) **U.S. Cl.**  
USPC ..... **D14/420**

(58) **Field of Classification Search**  
USPC ..... D14/420, 426-428, 447, 453, 385, 363, D14/358, 240, 356, 362, 365, 370, 383, 388, D14/432, 433, 435, 439, 442, 443; D18/4.6; D13/158, 162, 171, 147, 164; 235/440, 235/462.13, 439, 492, 380, 375, 486, 382, 235/451, 487, 381, 441, 472.01-472.03, 235/462.45, 462.47, 462.43; 340/572.7, 340/573.3, 572.8, 572.1, 572.4, 10.1, 5.86; 455/41.1; 700/225; 710/2, 301, 64; 336/221, 232; 439/159; 361/752, 361/679.31, 679.32, 679.38, 679.45, 800; 358/473; 379/436, 438; 312/223.1  
See application file for complete search history.

(56) **References Cited**

**U.S. PATENT DOCUMENTS**

D204,937 S \* 5/1966 Morrison et al. .... D10/78  
D207,639 S \* 5/1967 Walstrom ..... D14/371

D213,446 S \* 3/1969 Sabella ..... D14/420  
4,652,732 A \* 3/1987 Nickl ..... 235/462.4  
D295,413 S \* 4/1988 Nakamura et al. .... D14/420  
D312,452 S \* 11/1990 Takehara ..... D14/371  
4,968,883 A \* 11/1990 Leyshon et al. .... 250/239  
D325,729 S \* 4/1992 Forsythe et al. .... D14/420  
5,229,588 A \* 7/1993 Detwiler et al. .... 235/462.35  
5,293,033 A \* 3/1994 Yamashita ..... 235/462.14  
D359,483 S \* 6/1995 Saunders et al. .... D14/420  
5,459,308 A \* 10/1995 Detwiler et al. .... 235/462.35  
5,572,007 A \* 11/1996 Aragon et al. .... 235/462.35  
D377,342 S \* 1/1997 Lin ..... D14/424  
D378,587 S \* 3/1997 Kanno et al. .... D14/420

(Continued)

**OTHER PUBLICATIONS**

Design U.S. Appl. No. 29/494,725, not yet published, filed Jun. 24, 2014, 23 pages.

(Continued)

*Primary Examiner* — Susan Moon Lee

(74) *Attorney, Agent, or Firm* — Addition, Higgins & Pendleton, P.A.

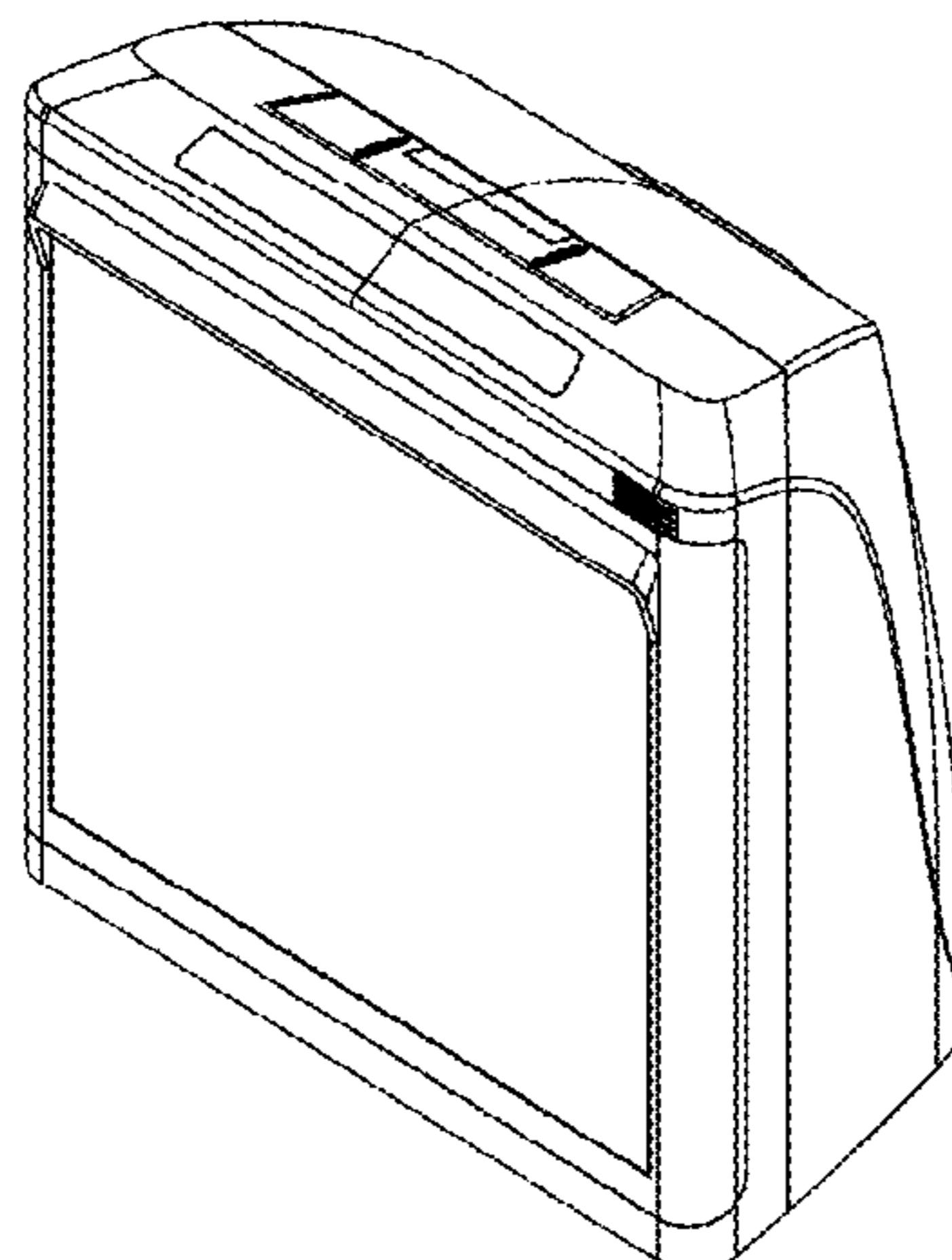
(57) **CLAIM**

The ornamental design for a scanner, as shown and described.

**DESCRIPTION**

FIG. 1 is a front perspective view of the scanner;  
FIG. 2 is a front view of the scanner;  
FIG. 3 is a rear view of the scanner;  
FIG. 4 is a left side view of the scanner;  
FIG. 5 is a right side view of the scanner;  
FIG. 6 is a top plan view of the scanner;  
FIG. 7 is a bottom plan view of the scanner;  
FIG. 8 is a top perspective view of the scanner;  
FIG. 9 is a side perspective view of the scanner; and,  
FIG. 10 is a rear bottom perspective view of the scanner.  
Any broken lines shown in the drawings are for illustrative purposes only and form no part of the claimed design.

**1 Claim, 10 Drawing Sheets**





(56)

## References Cited

## U.S. PATENT DOCUMENTS

- D378,916 S \* 4/1997 Kanno et al. .... D14/420  
5,635,906 A \* 6/1997 Joseph ..... 340/572.3  
5,684,289 A \* 11/1997 Detwiler et al. .... 235/462.35  
5,705,802 A \* 1/1998 Bobba et al. .... 235/462.39  
5,780,782 A \* 7/1998 O'Dea ..... 177/136  
5,801,370 A \* 9/1998 Katoh et al. .... 235/462.01  
5,834,708 A \* 11/1998 Svetal et al. .... 177/180  
5,837,988 A \* 11/1998 Bobba et al. .... 235/472.01  
5,885,214 A \* 3/1999 Monroe et al. .... 600/407  
5,886,336 A \* 3/1999 Tang et al. .... 235/462.43  
5,917,412 A \* 6/1999 Martin ..... 340/572.3  
5,936,218 A \* 8/1999 Ohkawa et al. .... 235/462.01  
6,045,046 A \* 4/2000 Detwiler ..... 235/114  
6,059,189 A \* 5/2000 Detwiler et al. .... 235/462.36  
6,085,979 A \* 7/2000 Maddox ..... 235/462.13  
D434,759 S \* 12/2000 Wang ..... D14/336  
6,155,489 A \* 12/2000 Collins et al. .... 235/462.01  
6,169,483 B1 \* 1/2001 Ghaffari et al. .... 340/572.3  
6,189,795 B1 \* 2/2001 Ohkawa et al. .... 235/462.39  
D442,596 S \* 5/2001 Lin et al. .... D14/421  
6,237,852 B1 \* 5/2001 Svetal et al. .... 235/462.43  
6,260,023 B1 \* 7/2001 Seevers et al. .... 705/20  
6,281,796 B1 \* 8/2001 Canipe et al. .... 340/572.3  
D454,879 S \* 3/2002 Lin et al. .... D14/420  
D464,969 S \* 10/2002 Byun et al. .... D14/420  
6,462,880 B1 \* 10/2002 Ohkawa et al. .... 359/629  
6,488,207 B1 \* 12/2002 Kawai et al. .... 235/383  
6,491,224 B2 \* 12/2002 Ohkawa et al. .... 235/462.4  
6,497,366 B1 \* 12/2002 Burkey et al. .... 235/462.25  
6,502,753 B2 \* 1/2003 Detwiler ..... 235/462.4  
6,536,668 B1 \* 3/2003 Detwiler et al. .... 235/462.37  
6,568,598 B1 \* 5/2003 Bobba et al. .... 235/462.39  
6,592,033 B2 \* 7/2003 Jennings et al. .... 235/385  
6,595,421 B2 \* 7/2003 Detwiler ..... 235/462.14  
6,598,791 B2 \* 7/2003 Bellis et al. .... 235/383  
6,631,845 B2 \* 10/2003 Barkan ..... 235/462.4  
6,698,658 B2 \* 3/2004 McQueen ..... 235/462.14  
6,715,677 B1 \* 4/2004 Nugent, Jr. .... 235/383  
6,728,015 B2 \* 4/2004 Ohkawa et al. .... 359/216.1  
6,758,402 B1 \* 7/2004 Check et al. .... 235/462.34  
6,764,010 B2 \* 7/2004 Collins et al. .... 235/462.11  
6,783,072 B2 \* 8/2004 Acosta et al. .... 235/462.13  
6,809,645 B1 \* 10/2004 Mason ..... 340/572.1  
6,827,266 B2 \* 12/2004 Mergenthaler et al. .. 235/462.14  
6,830,186 B1 \* 12/2004 Nahar ..... 235/462.14  
6,854,655 B2 \* 2/2005 Barkan ..... 235/462.4  
6,857,567 B2 \* 2/2005 Latimer et al. .... 235/383  
6,866,197 B1 \* 3/2005 Detwiler et al. .... 235/462.39  
6,918,540 B2 \* 7/2005 Good ..... 235/462.01  
6,942,145 B1 \* 9/2005 Collins et al. .... 235/383  
6,951,304 B2 \* 10/2005 Good ..... 235/462.32  
6,974,084 B2 \* 12/2005 Bobba et al. .... 235/462.39  
6,991,167 B2 \* 1/2006 Check et al. .... 235/462.14  
6,991,169 B2 \* 1/2006 Bobba et al. .... 235/462.39  
7,051,922 B2 \* 5/2006 Check et al. .... 235/462.32  
7,059,527 B2 \* 6/2006 Mergenthaler et al. .. 235/462.25  
7,083,102 B2 \* 8/2006 Good et al. .... 235/462.37  
7,086,597 B2 \* 8/2006 Good ..... 235/462.39  
D528,444 S \* 9/2006 Horie et al. .... D10/49  
7,132,947 B2 \* 11/2006 Clifford et al. .... 340/572.3  
7,170,414 B2 \* 1/2007 Clifford et al. .... 340/572.3  
7,172,123 B2 \* 2/2007 Acosta et al. .... 235/462.13  
7,191,947 B2 \* 3/2007 Kahn et al. .... 235/462.41  
7,198,195 B2 \* 4/2007 Bobba et al. .... 235/462.38  
7,247,802 B1 \* 7/2007 Minter ..... 177/25.15  
7,296,748 B2 \* 11/2007 Good ..... 235/462.14  
D560,220 S \* 1/2008 Barron ..... D14/421  
7,314,176 B2 \* 1/2008 Good ..... 235/462.34  
RE40,071 E \* 2/2008 Svetal et al. .... 235/462.43  
7,341,192 B2 \* 3/2008 Good ..... 235/462.34  
7,347,367 B2 \* 3/2008 White ..... 235/383  
7,374,092 B2 \* 5/2008 Acosta et al. .... 235/462.01  
7,374,094 B2 \* 5/2008 Good ..... 235/462.36  
7,383,996 B2 \* 6/2008 Good et al. .... 235/462.17  
7,389,918 B2 \* 6/2008 Wike et al. .... 235/383  
7,389,932 B1 \* 6/2008 Roquemoire et al. .... 235/462.43  
D574,738 S \* 8/2008 Khurana ..... D10/49  
7,407,096 B2 \* 8/2008 McQueen et al. .... 235/383  
7,407,103 B2 \* 8/2008 Check et al. .... 235/462.01  
7,422,156 B2 \* 9/2008 Good ..... 235/462.39  
D578,535 S \* 10/2008 Schmitz ..... D14/421  
7,495,564 B2 \* 2/2009 Harold et al. .... 340/572.3  
7,556,202 B2 \* 7/2009 Roquemoire et al. .... 235/462.43  
7,559,467 B2 \* 7/2009 Scheb ..... 235/383  
7,619,527 B2 \* 11/2009 Friend et al. .... 340/572.3  
D605,163 S \* 12/2009 Hidaka ..... D14/140.2  
D615,887 S \* 5/2010 Alexander et al. .... D10/50  
7,748,631 B2 \* 7/2010 Patel et al. .... 235/462.14  
7,757,955 B2 \* 7/2010 Barkan ..... 235/462.01  
D625,304 S \* 10/2010 Armstrong ..... D14/307  
7,909,250 B2 \* 3/2011 Lee et al. .... 235/435  
8,002,184 B1 \* 8/2011 Drzymala et al. .... 235/454  
8,011,579 B2 \* 9/2011 Acosta et al. .... 235/383  
8,033,472 B2 \* 10/2011 Giebel et al. .... 235/462.42  
8,079,523 B2 \* 12/2011 Barkan ..... 235/462.41  
8,113,431 B2 \* 2/2012 Gregerson ..... 235/462.43  
8,118,227 B2 \* 2/2012 Veksland et al. .... 235/462.24  
8,146,821 B2 \* 4/2012 Barkan et al. .... 235/462.24  
D671,542 S \* 11/2012 Siekmann et al. .... D14/422  
8,353,457 B2 \* 1/2013 Olmstead ..... 235/462.41  
8,358,211 B2 \* 1/2013 Friend et al. .... 340/572.3  
8,387,882 B2 \* 3/2013 Kearney et al. .... 235/455  
8,424,767 B2 \* 4/2013 Barkan et al. .... 235/462.24  
8,448,859 B2 \* 5/2013 Goncalves et al. .... 235/383  
8,464,951 B2 \* 6/2013 Trajkovic et al. .... 235/454  
8,469,272 B2 \* 6/2013 Kearney ..... 235/440  
8,474,712 B2 \* 7/2013 Kearney et al. .... 235/383  
8,505,824 B2 \* 8/2013 Drzymala et al. .... 235/462.17  
8,523,076 B2 \* 9/2013 Good ..... 235/462.32  
8,534,559 B2 \* 9/2013 Drzymala et al. .... 235/462.41  
8,537,005 B2 \* 9/2013 Barkan et al. .... 340/540  
8,552,313 B2 \* 10/2013 Atwater et al. .... 177/25.15  
8,556,175 B2 \* 10/2013 McQueen et al. .... 235/454  
8,561,902 B2 \* 10/2013 McQueen et al. .... 235/454  
8,678,287 B2 \* 3/2014 Olmstead ..... 235/462.41  
D703,735 S \* 4/2014 Best et al. .... D18/50  
D703,736 S \* 4/2014 Best et al. .... D18/50  
8,740,075 B2 \* 6/2014 Drzymala et al. .... 235/454  
D709,888 S \* 7/2014 Kaminsky et al. .... D14/421  
8,794,525 B2 \* 8/2014 Amundsen et al. .... 235/462.14  
8,833,659 B2 \* 9/2014 McQueen et al. .... 235/454  
2002/0038820 A1 \* 4/2002 Check et al. .... 235/462.14  
2002/0043564 A1 \* 4/2002 Ohkawa et al. .... 235/462.4  
2002/0056750 A1 \* 5/2002 Kato et al. .... 235/454  
2002/0074402 A1 \* 6/2002 Latimer et al. .... 235/454  
2002/0100805 A1 \* 8/2002 Detwiler ..... 235/462.14  
2002/0123932 A1 \* 9/2002 Brenhouse ..... 705/16  
2002/0162887 A1 \* 11/2002 Detwiler ..... 235/462.4  
2003/0063337 A1 \* 4/2003 Shirai et al. .... 358/498  
2003/0075602 A1 \* 4/2003 Wike et al. .... 235/383  
2003/0090805 A1 \* 5/2003 Ohkawa et al. .... 359/629  
2003/0146278 A1 \* 8/2003 Collins et al. .... 235/383  
2003/0146280 A1 \* 8/2003 Acosta et al. .... 235/454  
2003/0197611 A1 \* 10/2003 Clifford et al. .... 340/572.1  
2003/0209600 A1 \* 11/2003 Collins et al. .... 235/383  
2004/0000591 A1 \* 1/2004 Collins et al. .... 235/462.14  
2004/0035928 A1 \* 2/2004 Anderson ..... 235/385  
2004/0041021 A1 \* 3/2004 Nugent, Jr. .... 235/383  
2004/0065740 A1 \* 4/2004 Mergenthaler et al. .. 235/462.14  
2004/0217175 A1 \* 11/2004 Bobba et al. .... 235/462.39  
2005/0092834 A1 \* 5/2005 Latimer et al. .... 235/383  
2005/0103850 A1 \* 5/2005 Mergenthaler et al. .. 235/462.08  
2005/0145694 A1 \* 7/2005 Collins et al. .... 235/383  
2005/0219053 A1 \* 10/2005 Clifford et al. .... 340/572.4  
2006/0022051 A1 \* 2/2006 Patel et al. .... 235/462.14  
2006/0118627 A1 \* 6/2006 Joseph et al. .... 235/454  
2006/0151609 A1 \* 7/2006 Schonenberg et al. .. 235/462.39  
2007/0007350 A1 \* 1/2007 Good ..... 235/462.14  
2007/0017995 A1 \* 1/2007 Good ..... 235/462.39  
2007/0029389 A1 \* 2/2007 Good et al. .... 235/462.14  
2007/0063045 A1 \* 3/2007 Acosta et al. .... 235/462.13  
2007/0074910 A1 \* 4/2007 Kesselman ..... 177/25.13  
2007/0102513 A1 \* 5/2007 Scheb ..... 235/383  
2007/0158422 A1 \* 7/2007 Mazzone et al. .... 235/454



(56)

References Cited

U.S. PATENT DOCUMENTS

2007/0175996 A1\* 8/2007 Barkan et al. .... 235/454  
 2007/0210922 A1\* 9/2007 Clifford et al. .... 340/572.3  
 2007/0221733 A1\* 9/2007 Roquemore ..... 235/462.13  
 2008/0135619 A1\* 6/2008 Kwan ..... 235/462.39  
 2008/0164309 A1\* 7/2008 Latimer et al. .... 235/383  
 2008/0255790 A1\* 10/2008 Roquemore et al. .... 702/101  
 2008/0296387 A1\* 12/2008 Sanders et al. .... 235/462.41  
 2009/0001166 A1\* 1/2009 Barkan et al. .... 235/462.14  
 2009/0020611 A1\* 1/2009 Sackett et al. .... 235/462.08  
 2009/0020612 A1\* 1/2009 Drzymala et al. .... 235/462.32  
 2009/0026271 A1\* 1/2009 Drzymala et al. .... 235/462.42  
 2009/0078775 A1\* 3/2009 Giebel et al. .... 235/462.41  
 2009/0159683 A1\* 6/2009 Roquemore et al. .... 235/462.11  
 2009/0188980 A1\* 7/2009 Bobba et al. .... 235/462.39  
 2009/0272810 A1\* 11/2009 Barkan ..... 235/462.41  
 2010/0001075 A1\* 1/2010 Barkan ..... 235/462.41  
 2010/0019042 A1\* 1/2010 Barkan ..... 235/462.41  
 2010/0019043 A1\* 1/2010 Sackett et al. .... 235/462.42  
 2010/0116887 A1\* 5/2010 Barkan et al. .... 235/440  
 2010/0139989 A1\* 6/2010 Atwater et al. .... 177/245

2010/0147953 A1\* 6/2010 Barkan ..... 235/462.41  
 2010/0148967 A1\* 6/2010 Friend et al. .... 340/572.3  
 2010/0163622 A1\* 7/2010 Olmstead ..... 235/454  
 2010/0163626 A1\* 7/2010 Olmstead ..... 235/462.41  
 2010/0163627 A1\* 7/2010 Olmstead ..... 235/470  
 2010/0163628 A1\* 7/2010 Olmstead ..... 235/470  
 2010/0252633 A1\* 10/2010 Barkan et al. .... 235/462.24  
 2010/0252635 A1\* 10/2010 Drzymala et al. .... 235/462.41  
 2011/0073652 A1\* 3/2011 Vinogradov et al. .... 235/462.08  
 2011/0089240 A1\* 4/2011 Vinogradov et al. .... 235/454  
 2011/0127333 A1\* 6/2011 Veksland et al. .... 235/462.24  
 2011/0132985 A1\* 6/2011 McQueen et al. .... 235/454  
 2011/0232972 A1\* 9/2011 McQueen et al. .... 177/1  
 2011/0309147 A1\* 12/2011 Barkan et al. .... 235/440  
 2012/0038480 A1\* 2/2012 Friend et al. .... 340/572.3  
 2012/0169857 A1\* 7/2012 Sato ..... 348/65

OTHER PUBLICATIONS

Chinese Design Application Serial No. 201430000680.8, Filed Jan. 2, 2014, 13 pages; Counterpart to Design U.S. Appl. No. 29/459,823.

\* cited by examiner

1/10

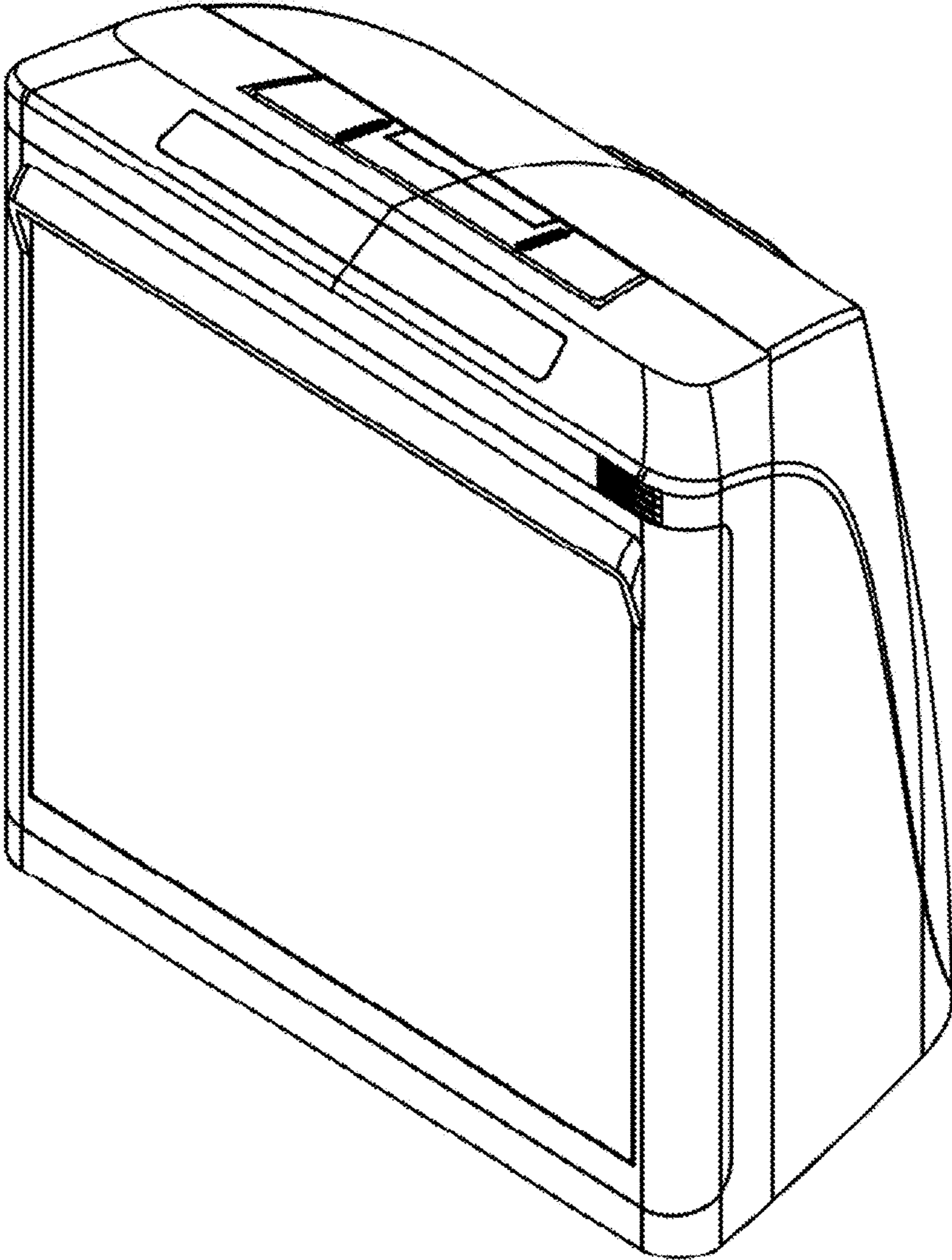


FIG. 1

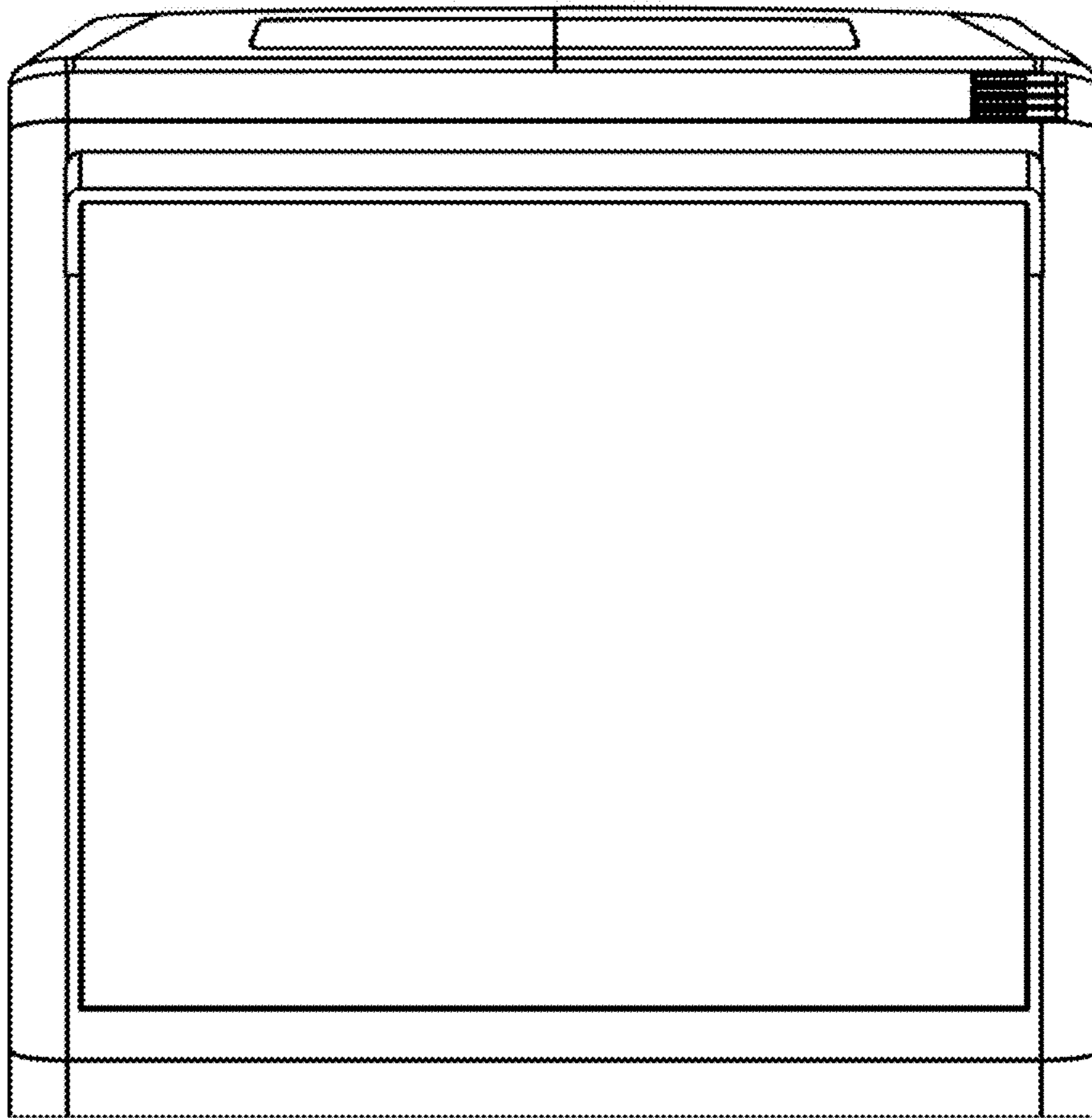


FIG. 2

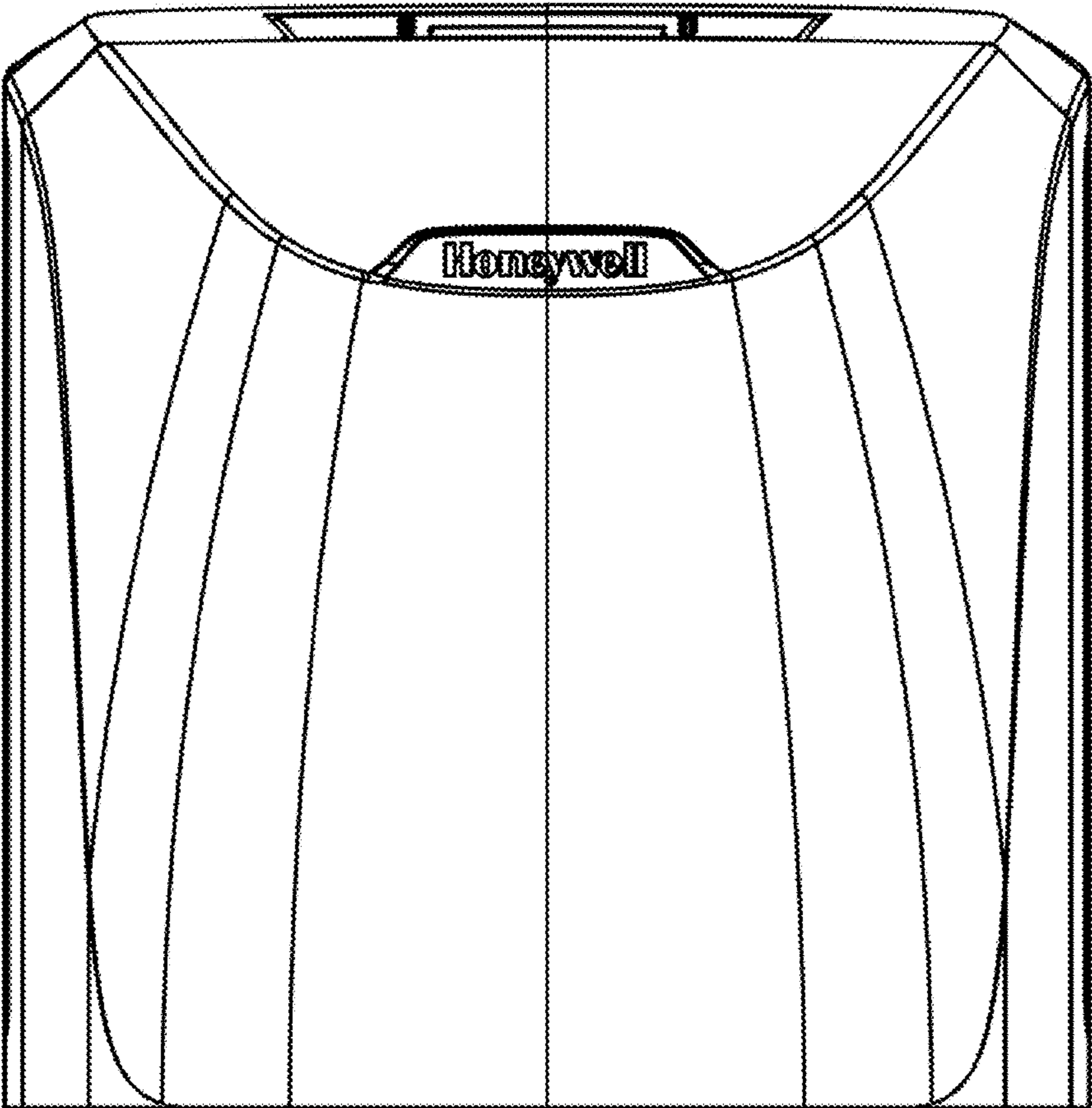


FIG. 3

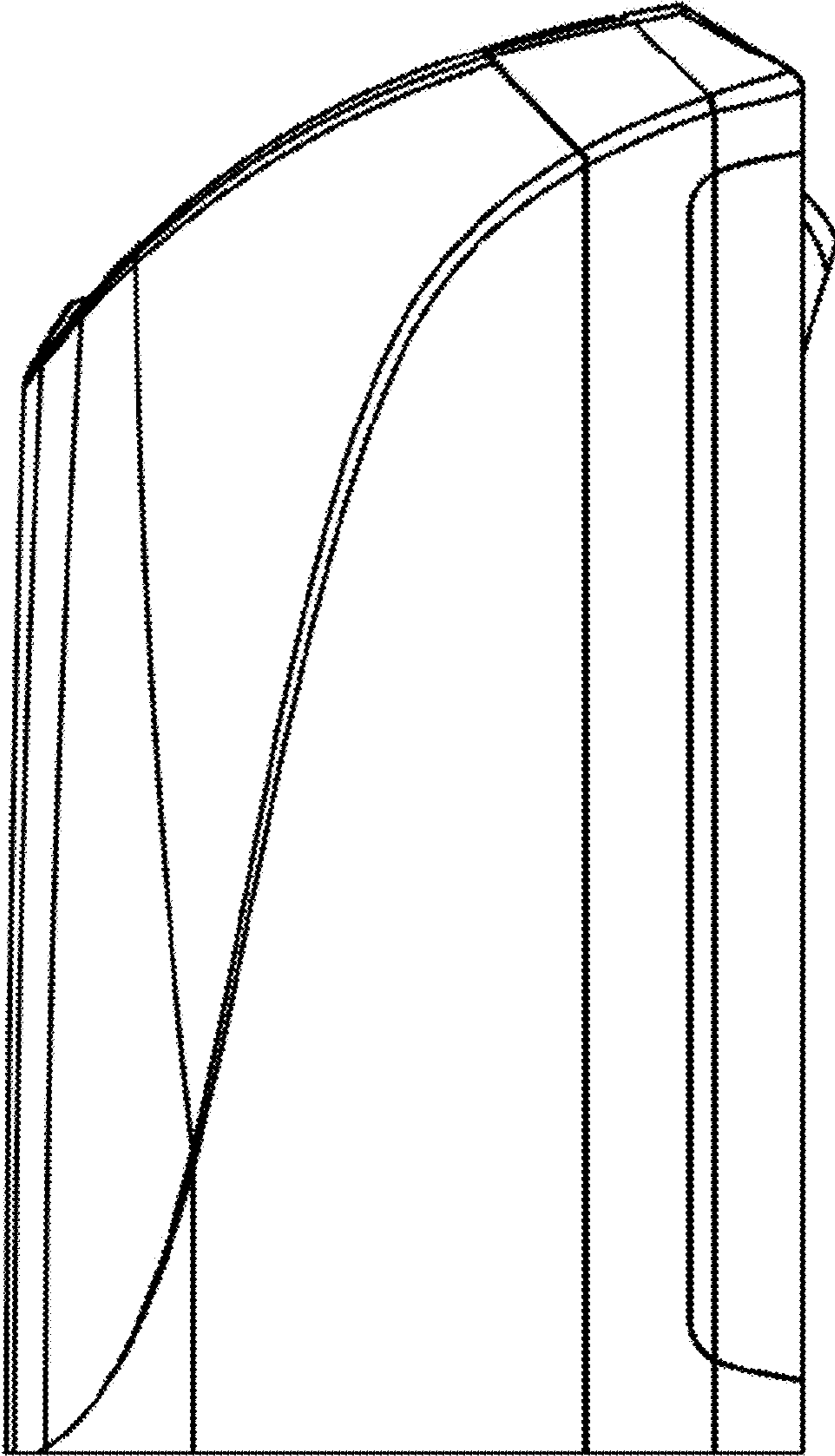


FIG. 4



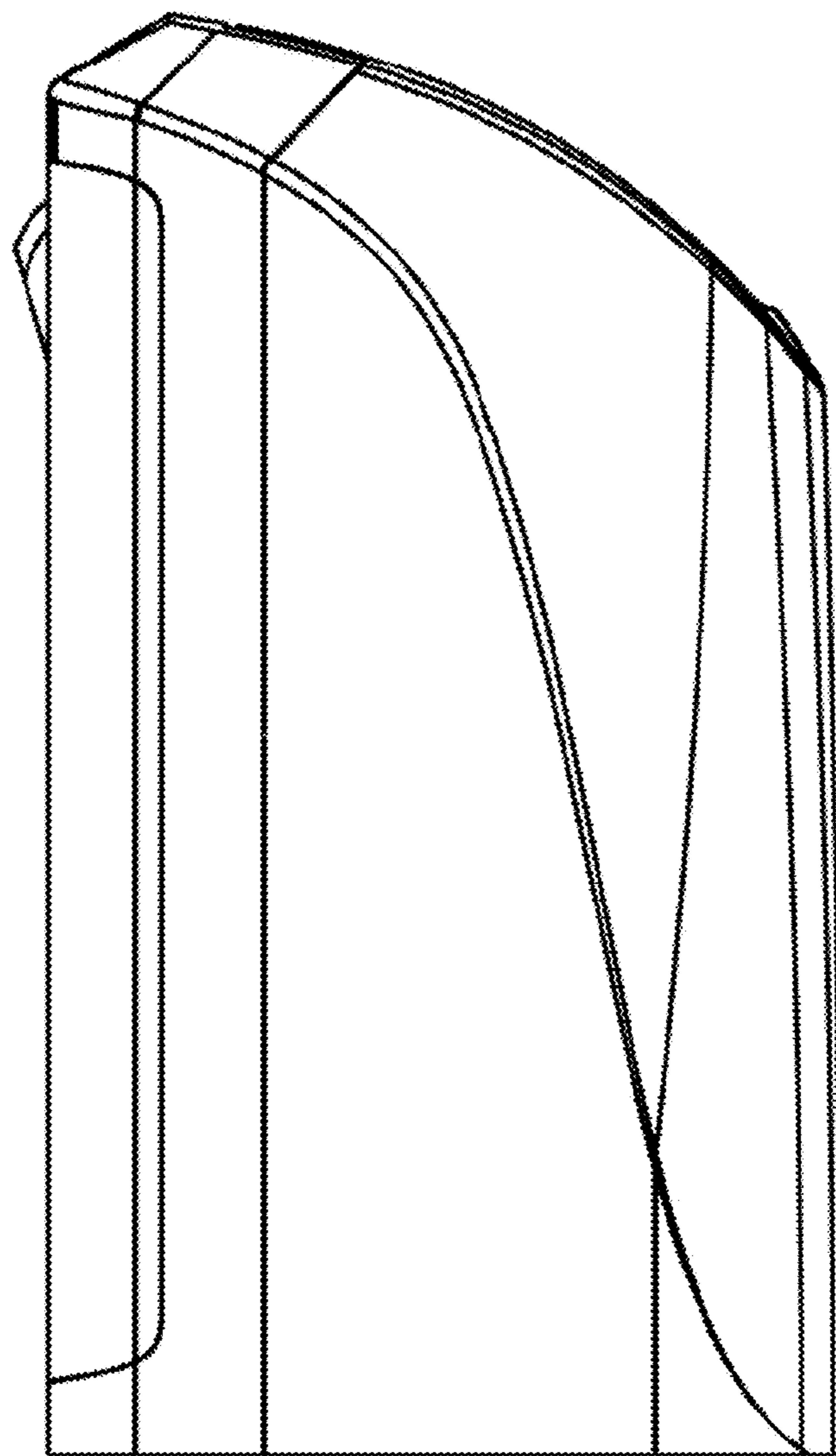


FIG. 5



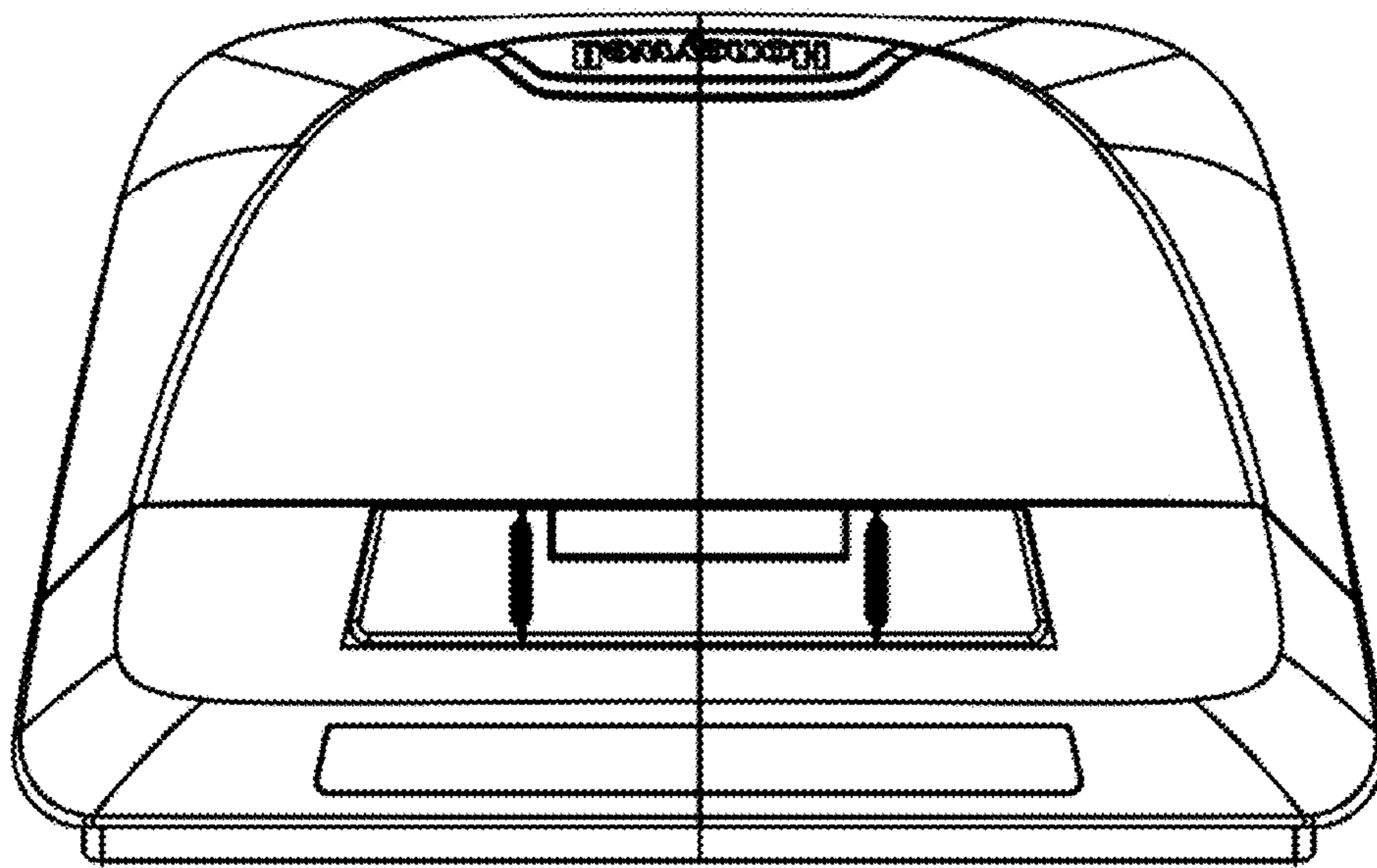


FIG. 6

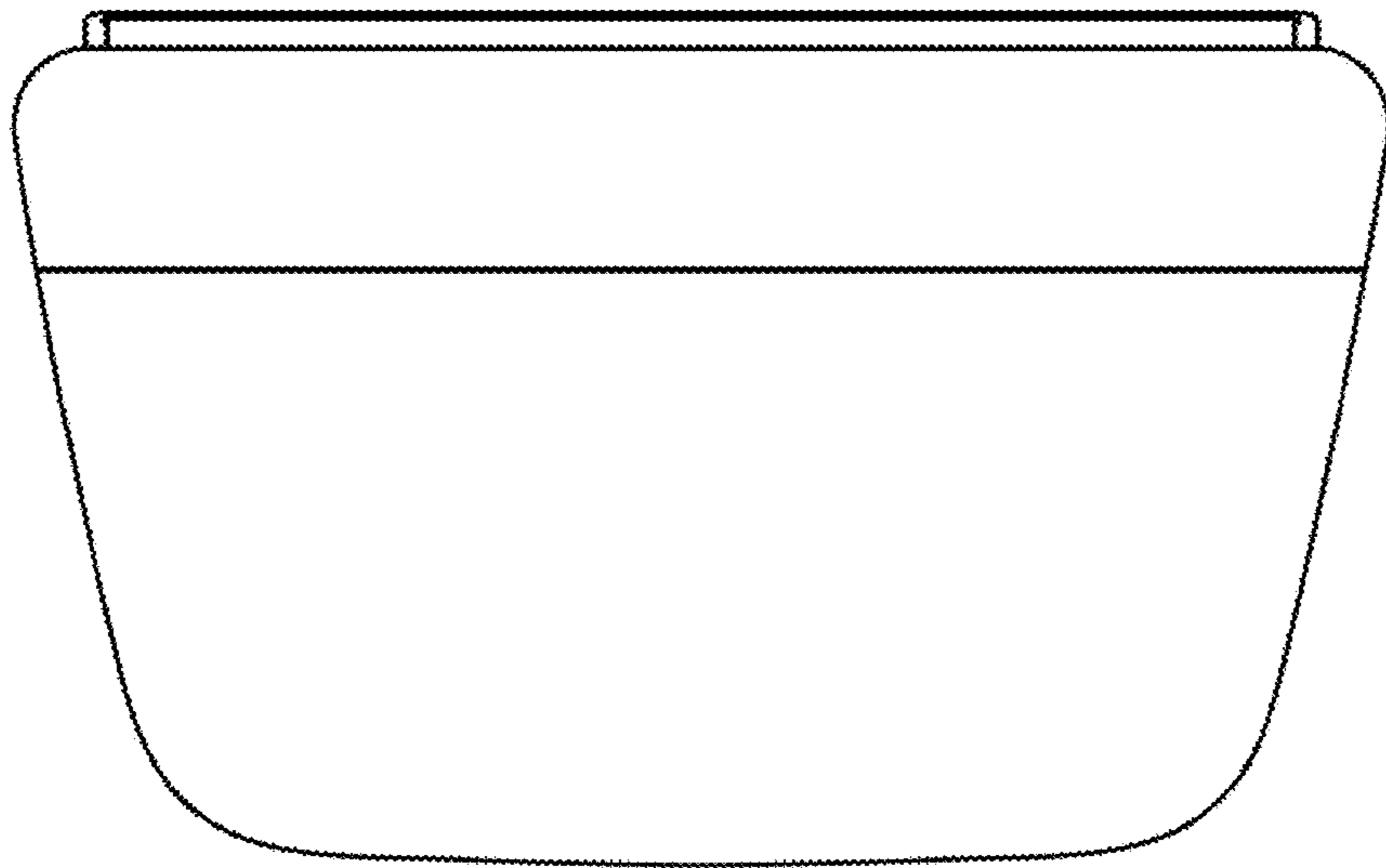


FIG. 7

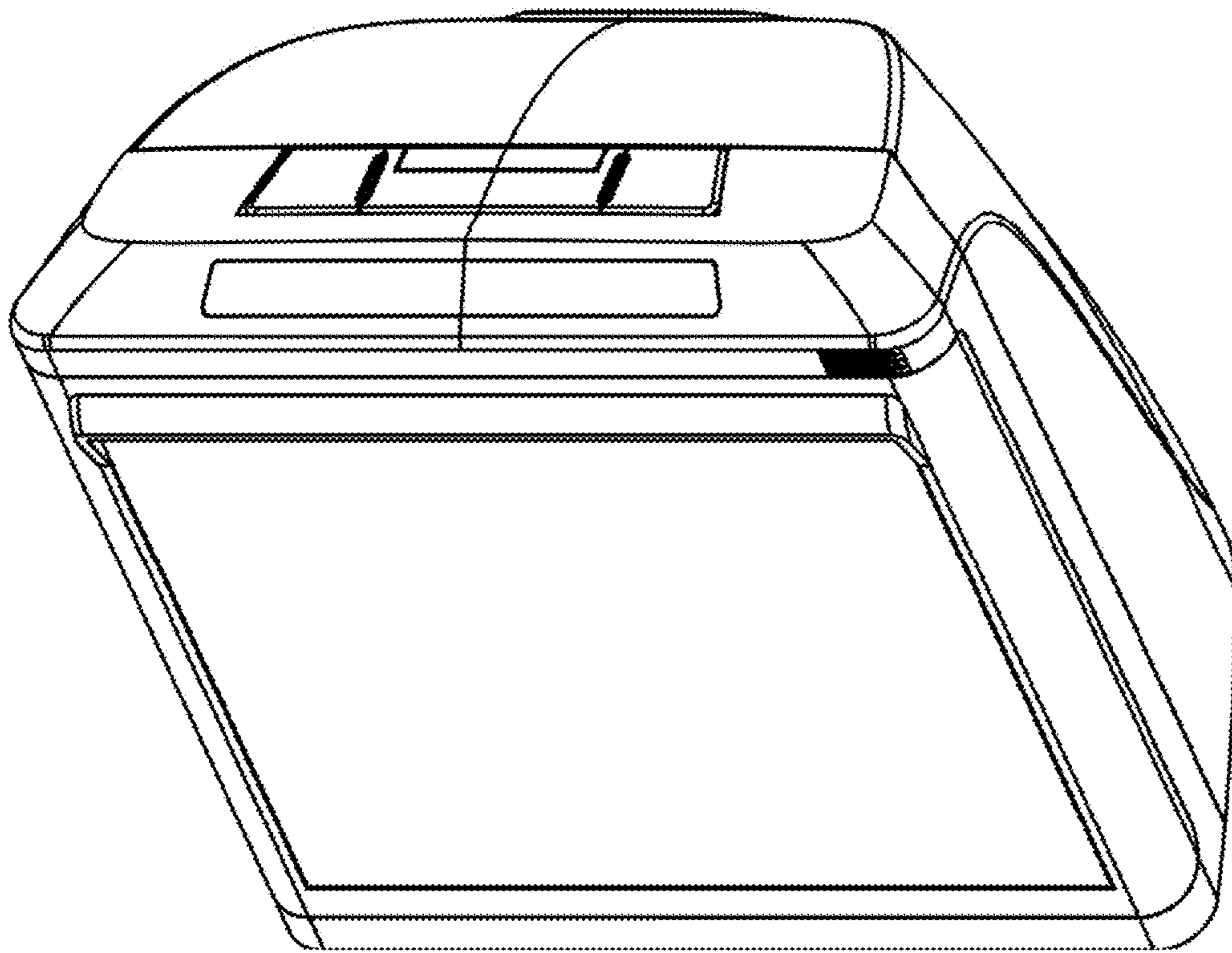


FIG. 8



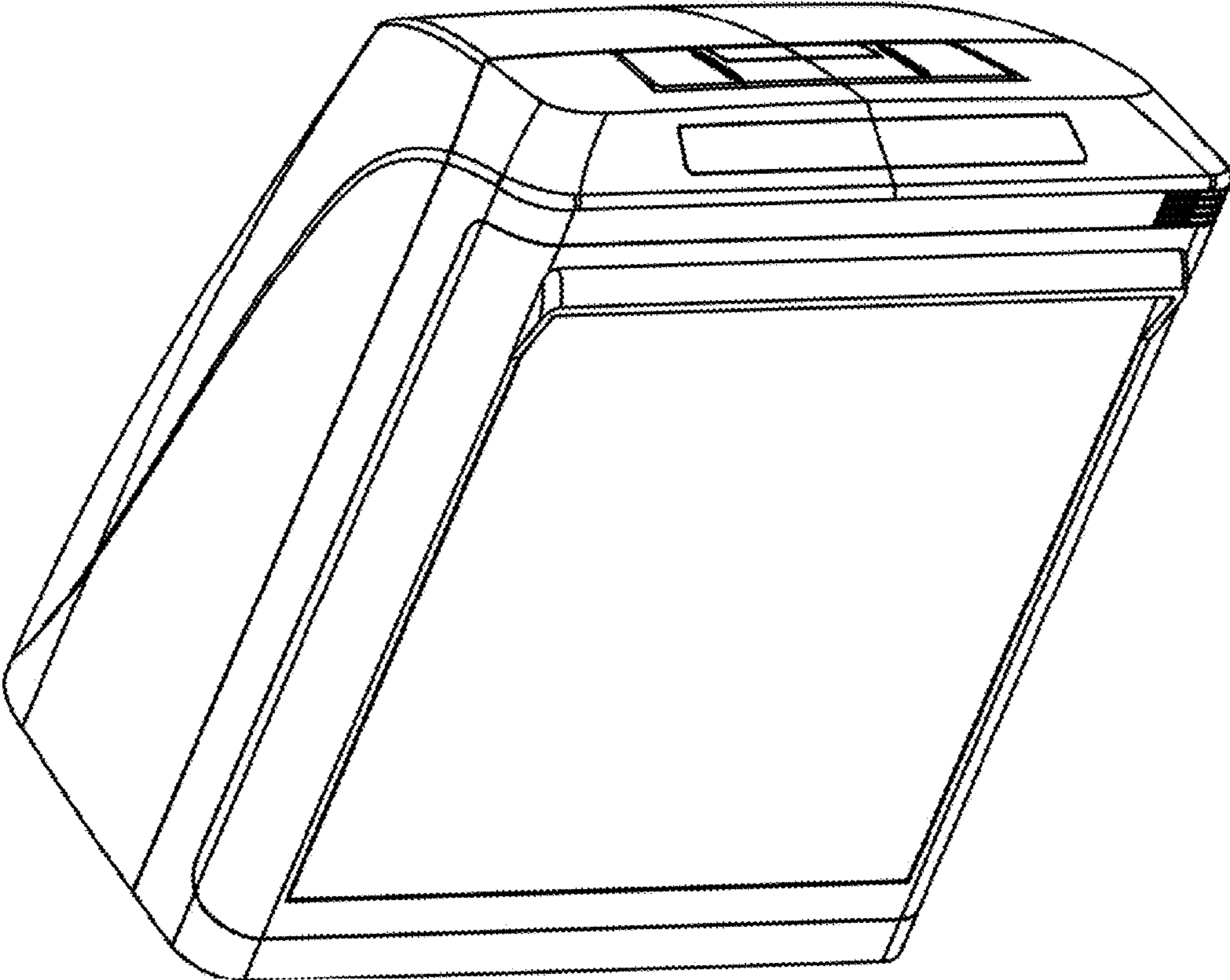


FIG. 9

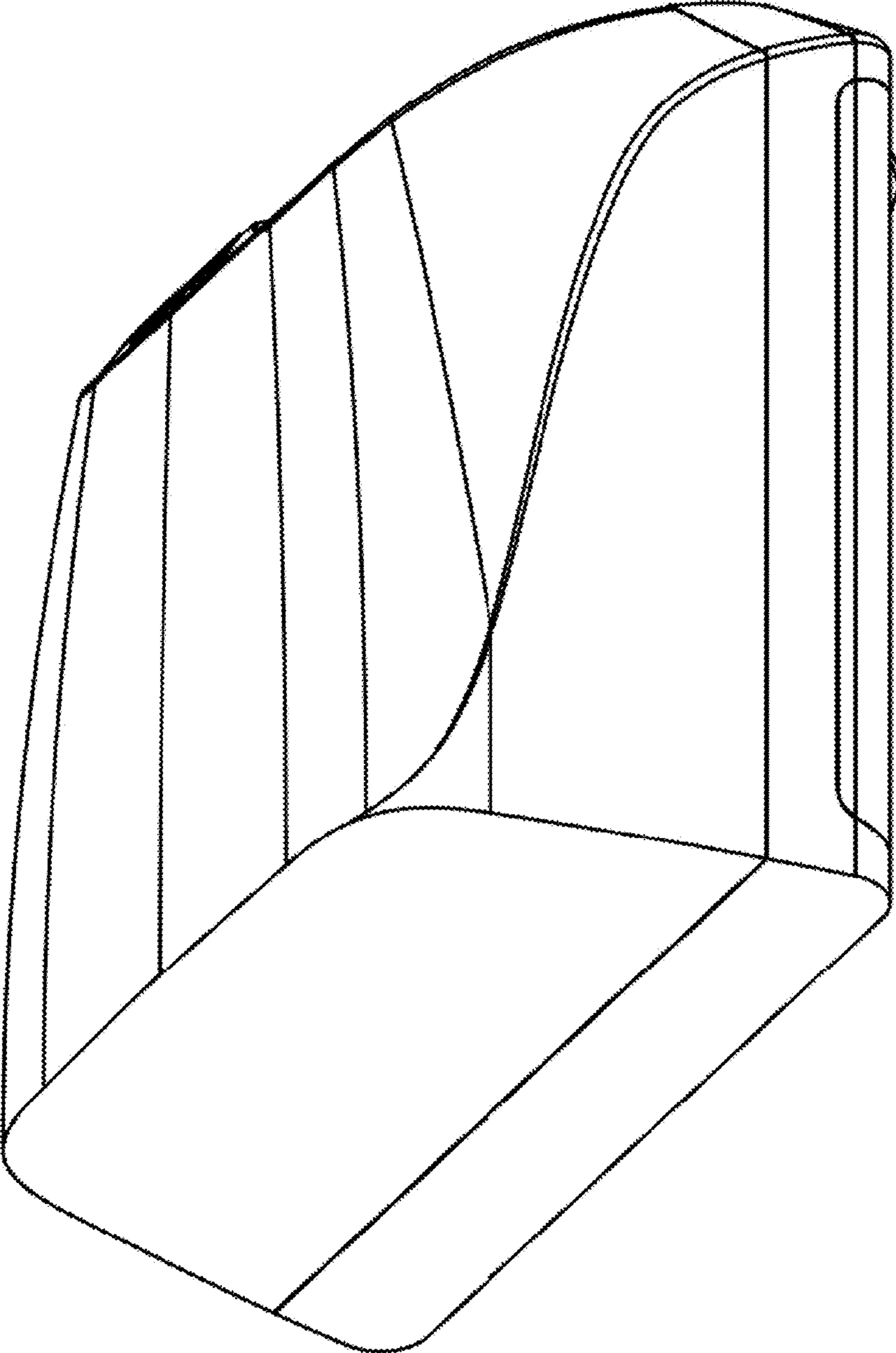


FIG. 10