



US00D723559S

(12) **United States Design Patent**
Hein et al.

(10) **Patent No.:** **US D723,559 S**

(45) **Date of Patent:** **** Mar. 3, 2015**

(54) **JOYSTICK**

(71) Applicant: **Robert Bosch GmbH**, Stuttgart (DE)

(72) Inventors: **Sebastian Hein**, Hannover (DE); **Tim Krahmer**, Hannover (DE); **Oliver Eckstein**, Fellbach (DE)

(73) Assignee: **Aventics GmbH**, Laatzen (DE)

(**) Term: **14 Years**

(21) Appl. No.: **29/455,884**

(22) Filed: **May 24, 2013**

(30) **Foreign Application Priority Data**

Nov. 26, 2012 (CN) 2012 3 0575623

(51) **LOC (10) Cl.** **14-03**

(52) **U.S. Cl.**
USPC **D14/413**

(58) **Field of Classification Search**
USPC D14/217, 218, 356, 388, 389, 400, 401,
D14/412-416, 432-434, 454, 496;
D21/324, 332, 333; D34/27, 35; 463/1,
463/30, 36-38, 46, 47; 345/156-161, 905;
D12/174, 178-180; D8/300, 303;
D15/138, 142; 74/489, 502.2, 523,
74/551.8, 551.9; D13/168

See application file for complete search history.

(56) **References Cited**

U.S. PATENT DOCUMENTS

D271,313 S *	11/1983	Nishi	D14/415
D282,759 S *	2/1986	Weissberg	D14/415
D384,926 S *	10/1997	Wallace	D12/179
D411,497 S *	6/1999	Lagaay	D12/179
D428,012 S *	7/2000	Cavacuiti et al.	D14/413
D503,928 S *	4/2005	Obata	D13/164
D516,096 S *	2/2006	Bergman et al.	D15/28
D517,589 S *	3/2006	Muto et al.	D16/237
D658,184 S *	4/2012	Chang et al.	D14/413
D698,357 S *	1/2014	Mainville et al.	D14/412
D706,268 S *	6/2014	Beams	D14/413

* cited by examiner

Primary Examiner — Keli L Hill

(74) *Attorney, Agent, or Firm* — Maginot, Moore & Beck

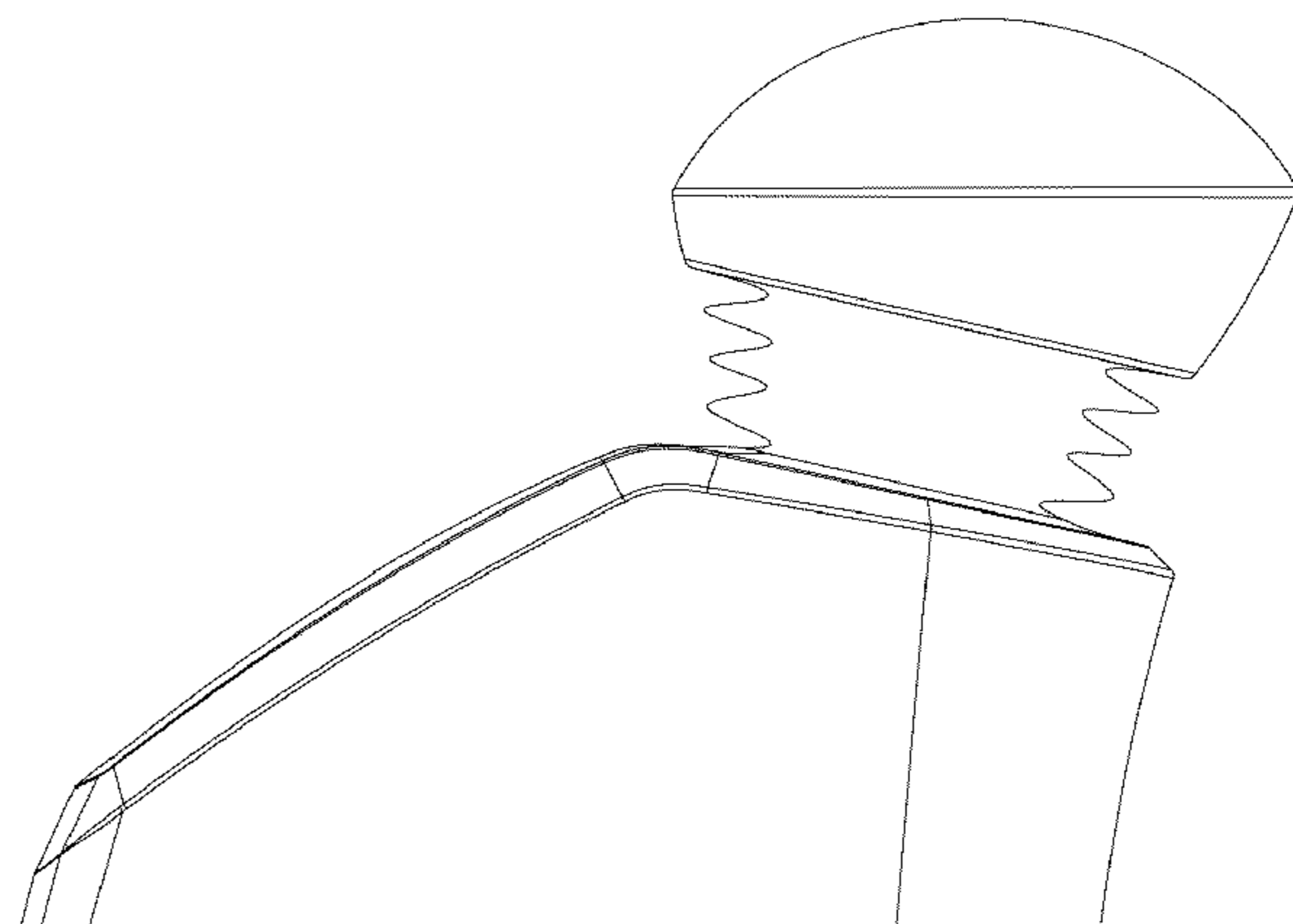
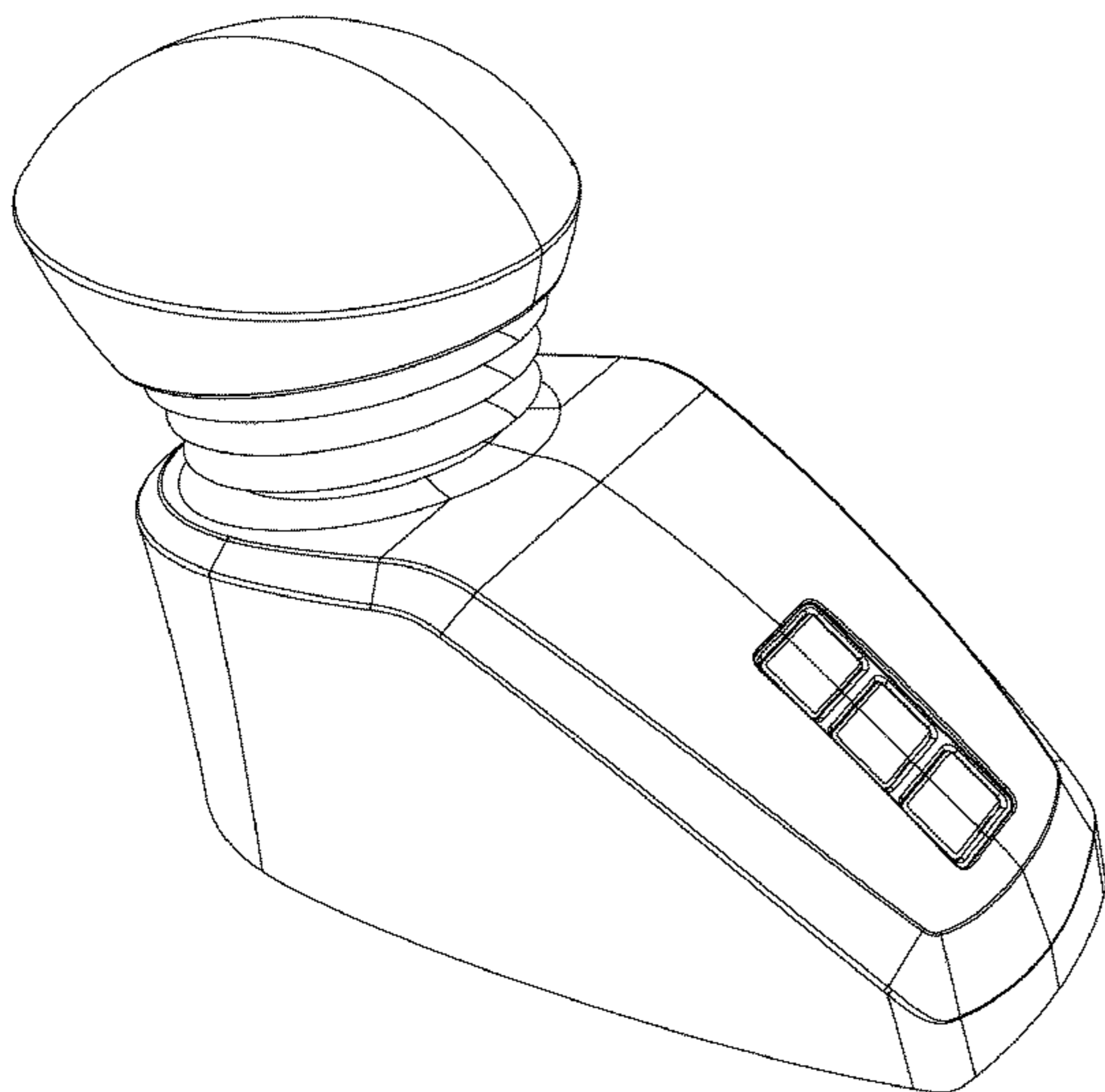
(57) **CLAIM**

The ornamental design for a joystick, as shown and described.

DESCRIPTION

FIG. 1 is a perspective view of a joystick showing our new design;
FIG. 2 is a front elevational view showing the design for the joystick of FIG. 1;
FIG. 3 is a rear elevational view showing the design for the joystick of FIG. 1;
FIG. 4 is a left side elevational view showing the design for the joystick of FIG. 1;
FIG. 5 is a right side elevational view showing the design for the joystick of FIG. 1;
FIG. 6 is a top plan view showing the design for the joystick of FIG. 1; and,
FIG. 7 is a bottom plan view showing the design for the joystick of FIG. 1.

1 Claim, 7 Drawing Sheets



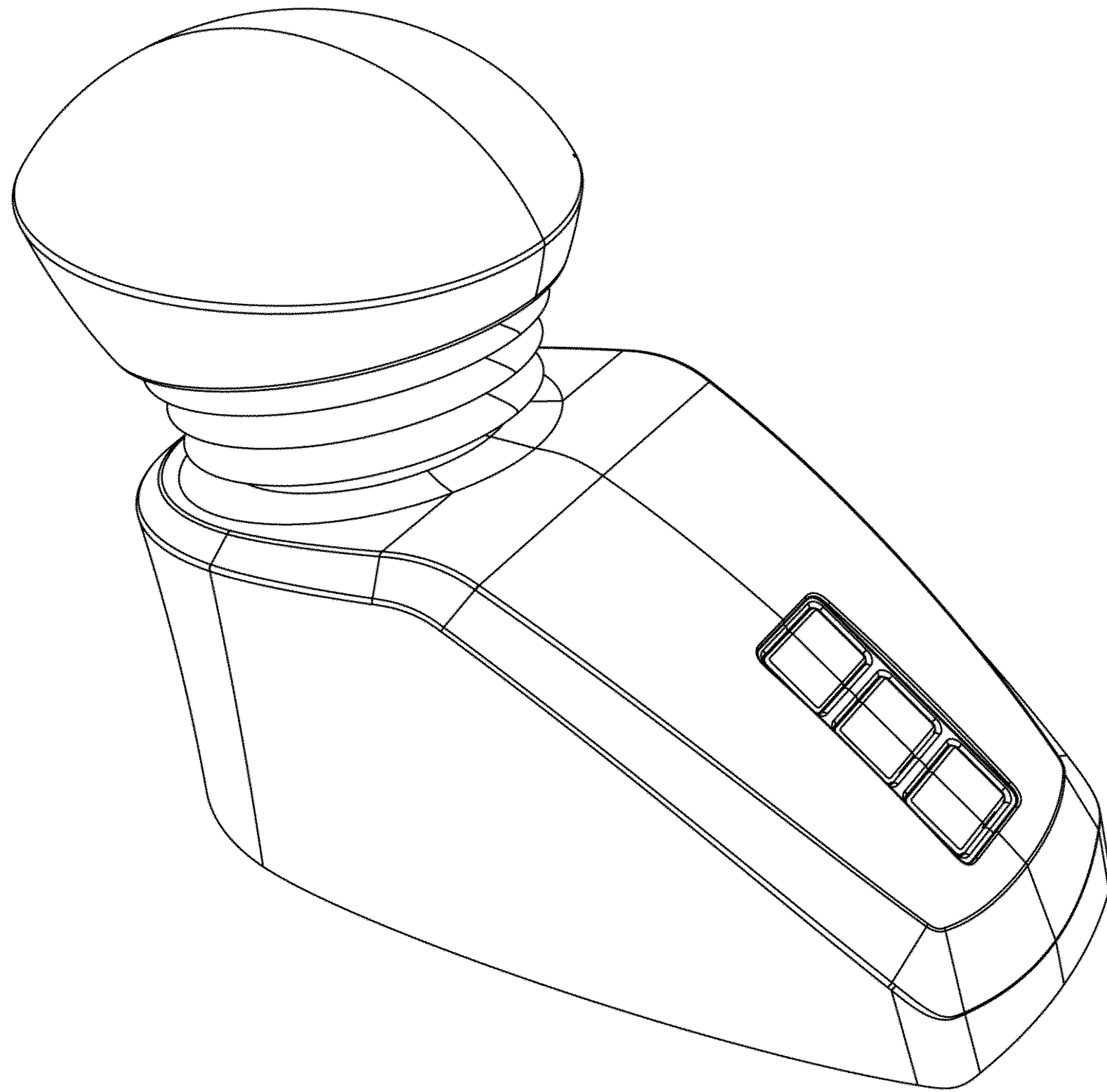


FIG. 1

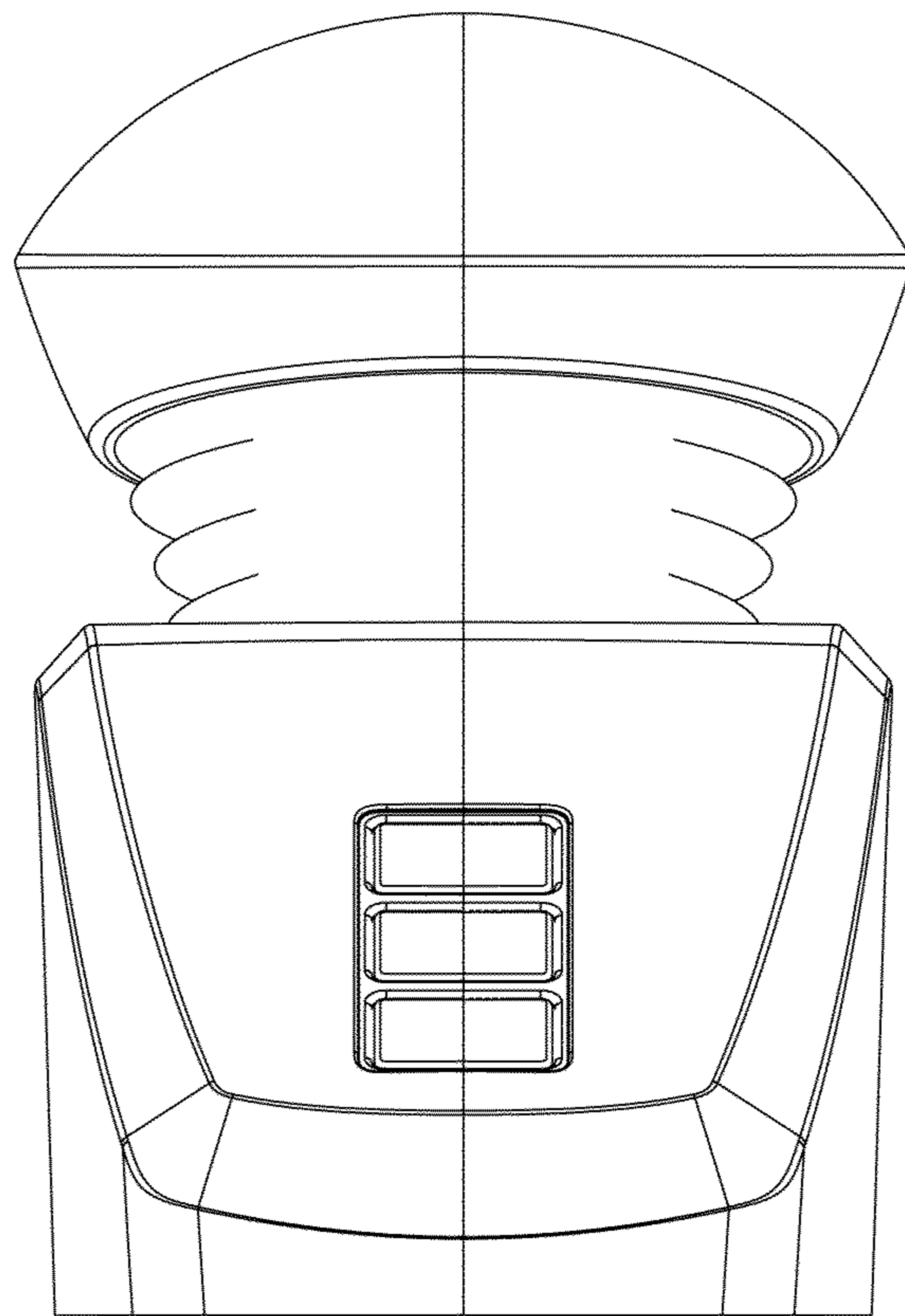


FIG. 2

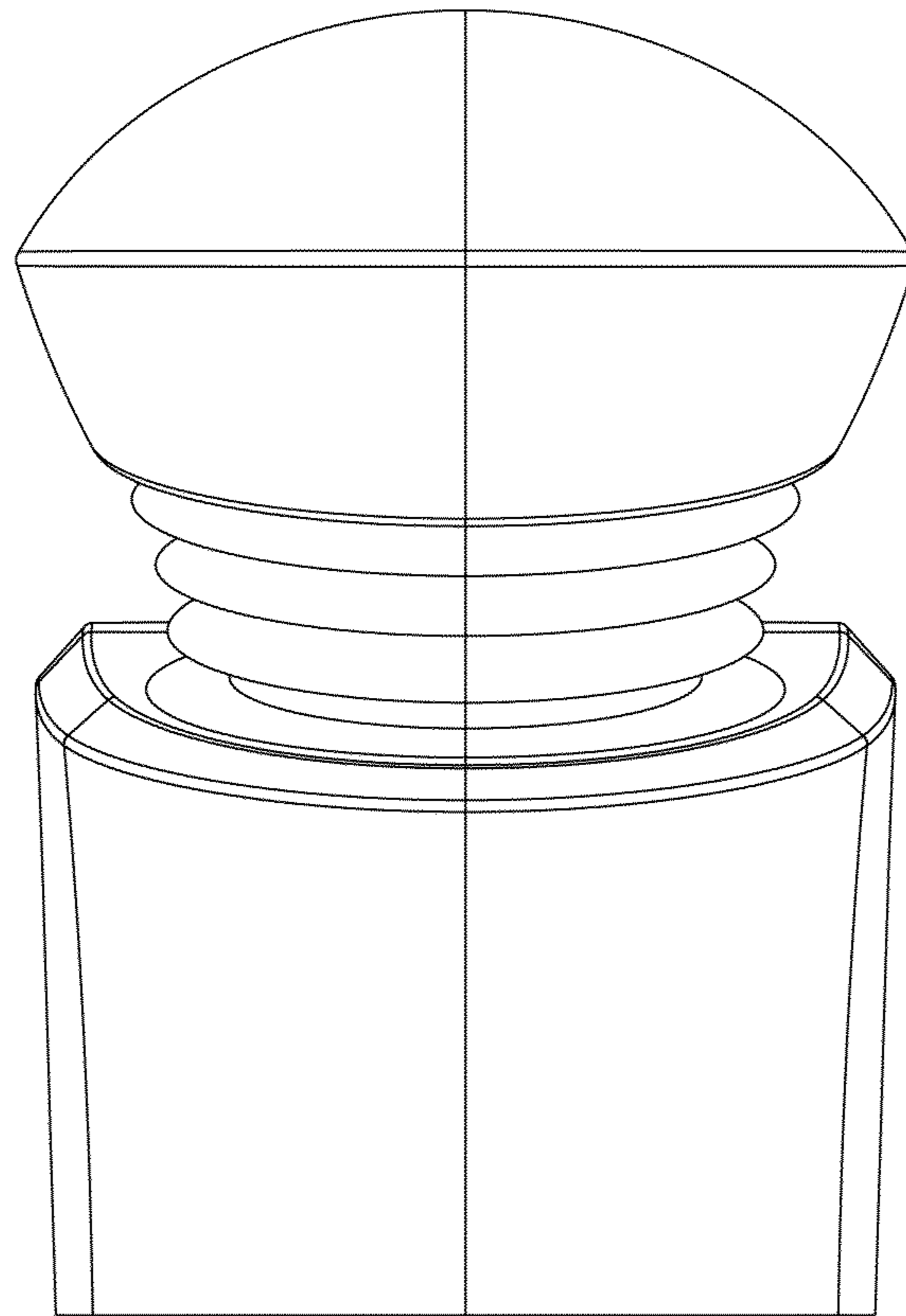


FIG. 3

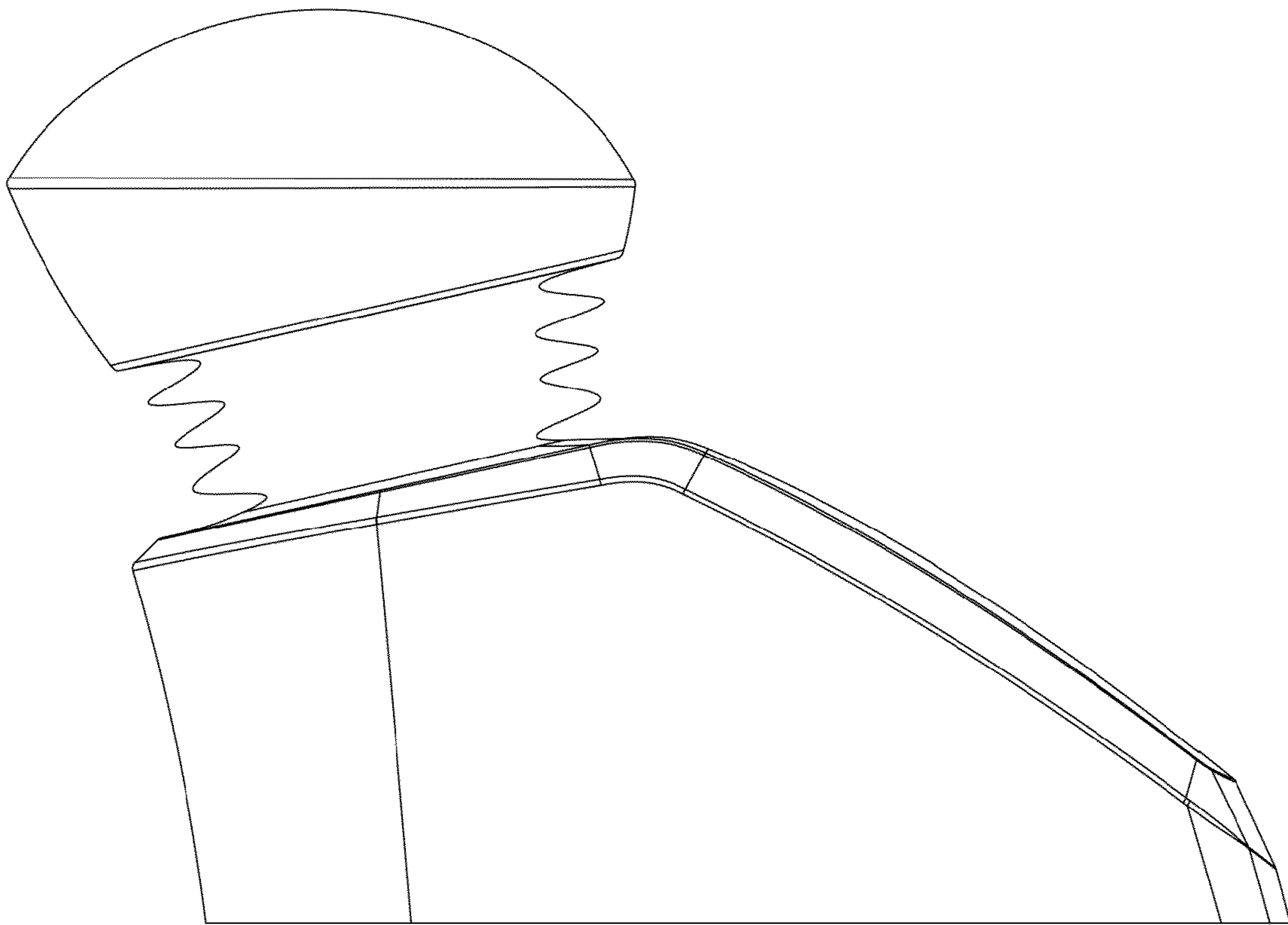


FIG. 4

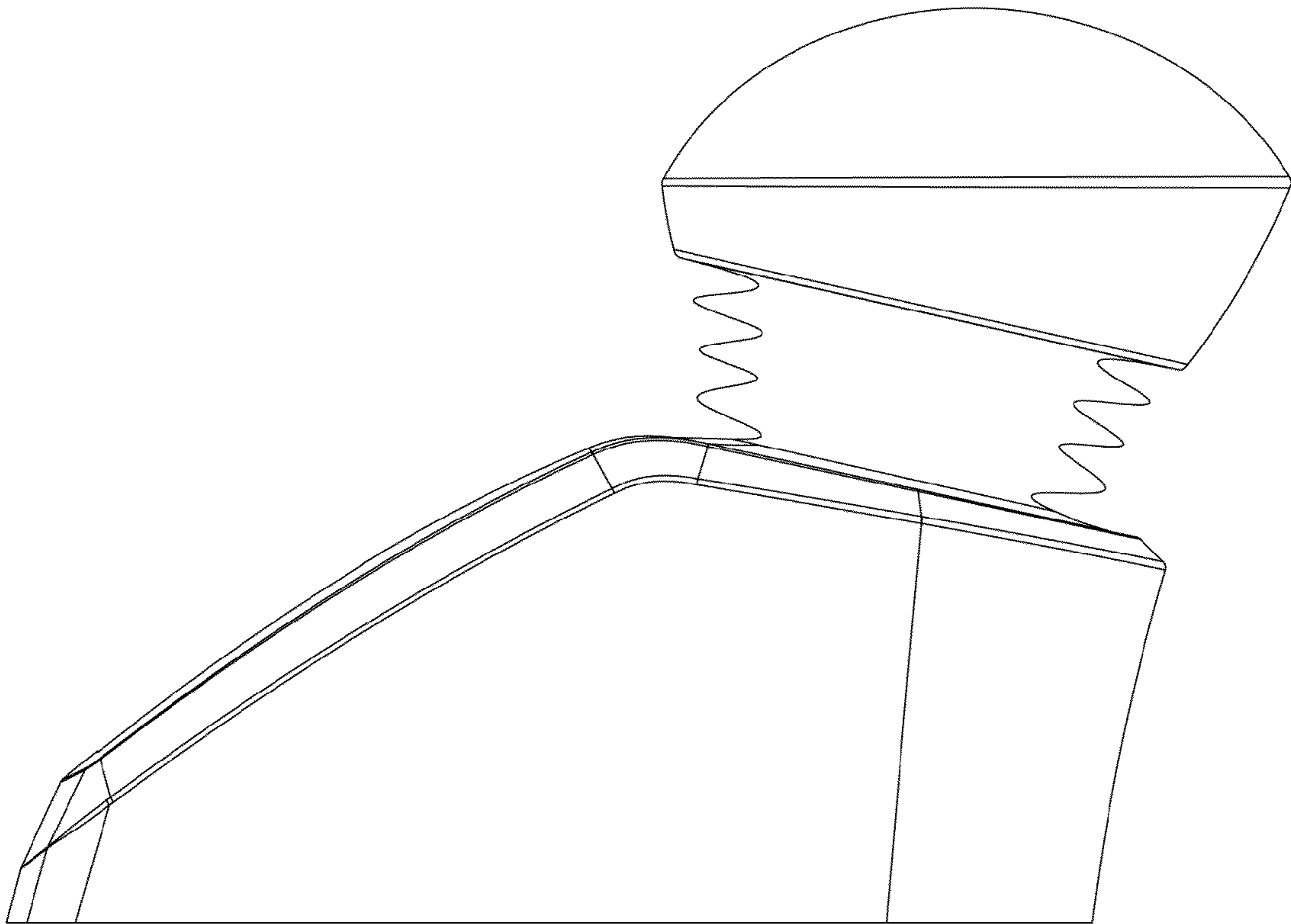


FIG. 5

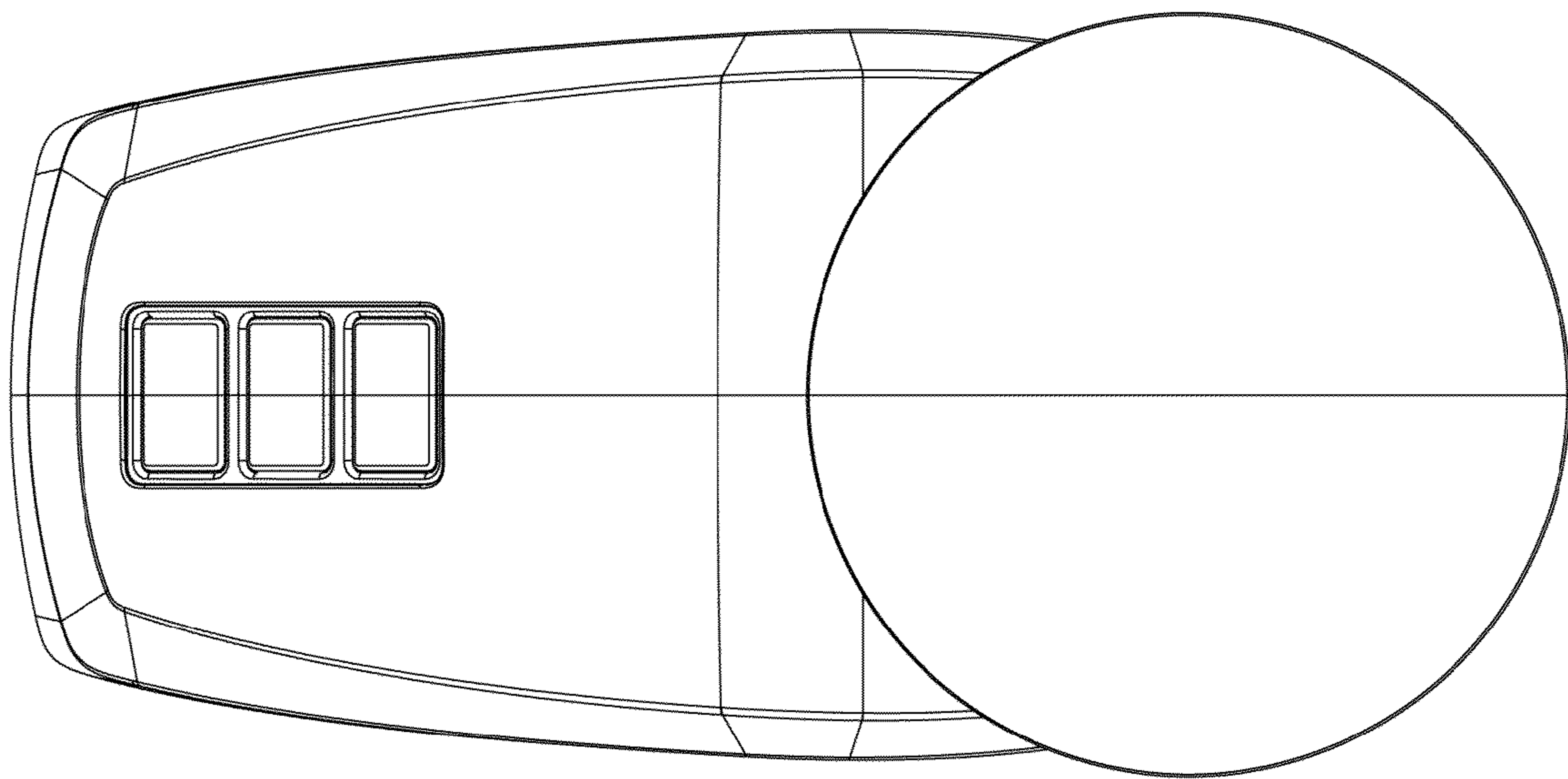


FIG. 6

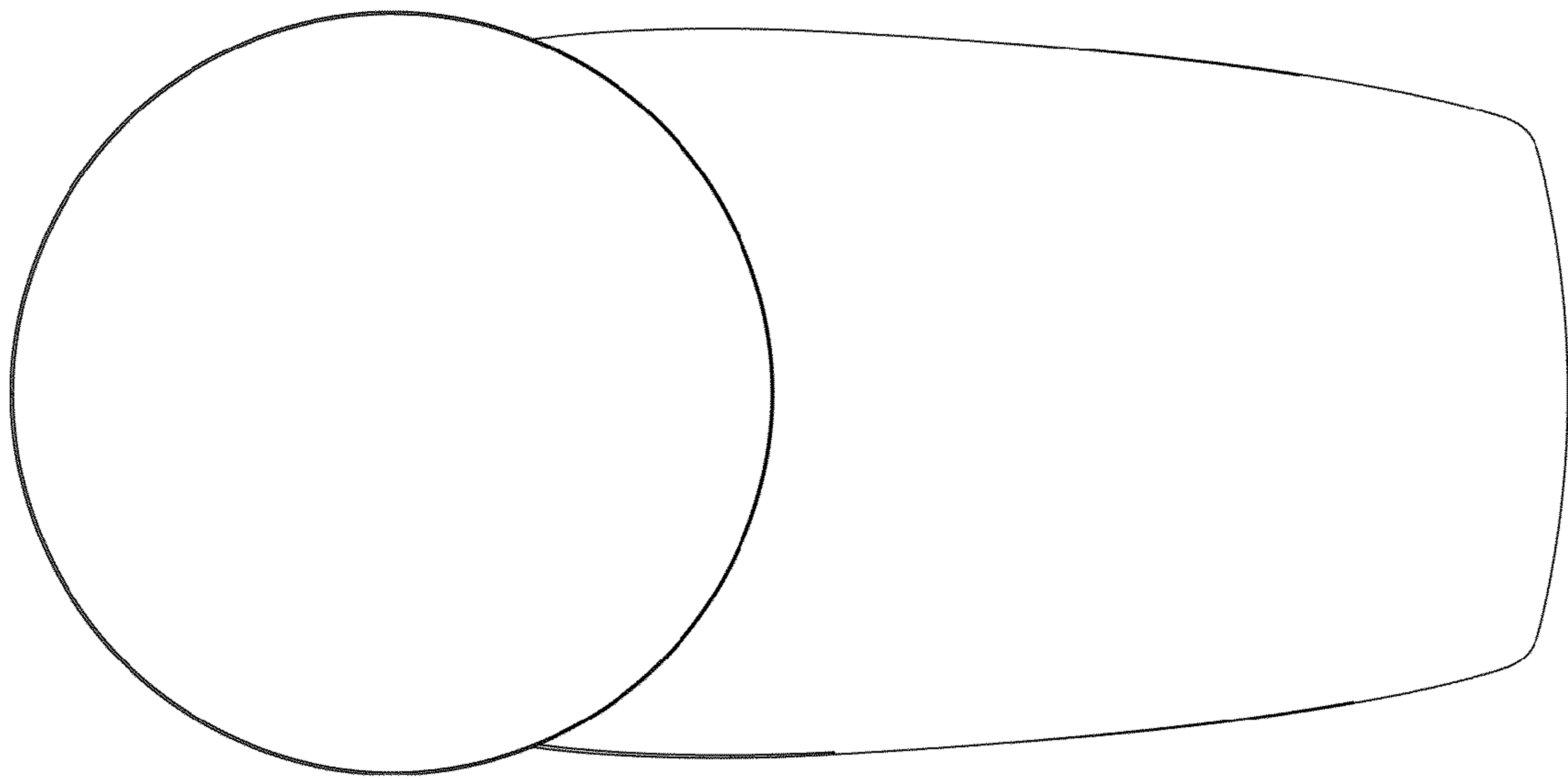


FIG. 7