



US00D723550S

(12) **United States Design Patent**
Krueger et al.

(10) **Patent No.:** **US D723,550 S**
(45) **Date of Patent:** **** Mar. 3, 2015**

- (54) **HANDHELD WIRELESS DEVICE**
- (71) Applicant: **Marvell International Ltd.**, Hamilton (BM)
- (72) Inventors: **Chris Krueger**, Mill Valley, CA (US); **J. Peter Hoddie**, Menlo Park, CA (US); **Patrick Soquet**, Chastre (BE); **Alain Soquet**, Brussels (BE); **Sean Allen**, Half Moon Bay, CA (US); **Phillip Salvatori**, Salem, OR (US)
- (73) Assignee: **Marvell International Ltd.**, Hamilton (BM)
- (**) Term: **14 Years**
- (21) Appl. No.: **29/471,092**
- (22) Filed: **Oct. 28, 2013**
- (51) **LOC (10) Cl.** **14-02**
- (52) **U.S. Cl.**
USPC **D14/341**
- (58) **Field of Classification Search**
USPC D14/341-347, 137, 138 R, 138 AA, D14/138 C, 138 G, 496, 203.1, 203.3, 203.4, D14/203.7, 129, 130, 147, 218, 247, 248, D14/385, 388, 389, 315-318, 420, 426; D10/65, 104.1; D18/6, 7; D21/324, D21/329, 330, 332; 455/556.1, 556.2, 566, 455/575.1, 90.3; 379/433.04, 433.01, 379/433.06, 916; 345/173, 901, 905; 361/679.26, 679.27, 679.3, 679.55, 361/679.56; 248/917-924; D19/26, 59-60; D6/308, 310
See application file for complete search history.

D422,595 S *	4/2000	Taylor et al.	D14/240
D423,468 S *	4/2000	Jenkins	D14/342
D432,124 S *	10/2000	Pardikes et al.	D14/336
D454,563 S *	3/2002	Brown et al.	D14/342
D461,845 S *	8/2002	Ishida et al.	D19/52
D470,140 S *	2/2003	Lin	D14/375
D477,597 S *	7/2003	Laverick et al.	D14/346
D481,057 S *	10/2003	Brady	D16/237
D507,003 S *	7/2005	Pai et al.	D14/203.7
D527,714 S *	9/2006	Lin	D14/126
D536,012 S *	1/2007	Dayan	D16/208
D545,784 S *	7/2007	Dayan	D14/126
D545,789 S *	7/2007	Dayan	D14/129
D551,190 S *	9/2007	Tang	D14/126
D571,777 S *	6/2008	Waterman et al.	D14/151
D578,973 S *	10/2008	Chiu	D14/126
D632,688 S *	2/2011	Seong	D14/346
D658,627 S *	5/2012	Katori	D14/142
D666,616 S *	9/2012	Tang et al.	D14/341
D688,240 S *	8/2013	Wesolek	D14/341
D699,224 S *	2/2014	Diamond	D14/218
D703,663 S *	4/2014	Piraud	D14/341

* cited by examiner

Primary Examiner — Barbara Fox
Assistant Examiner — Dana K Weiland

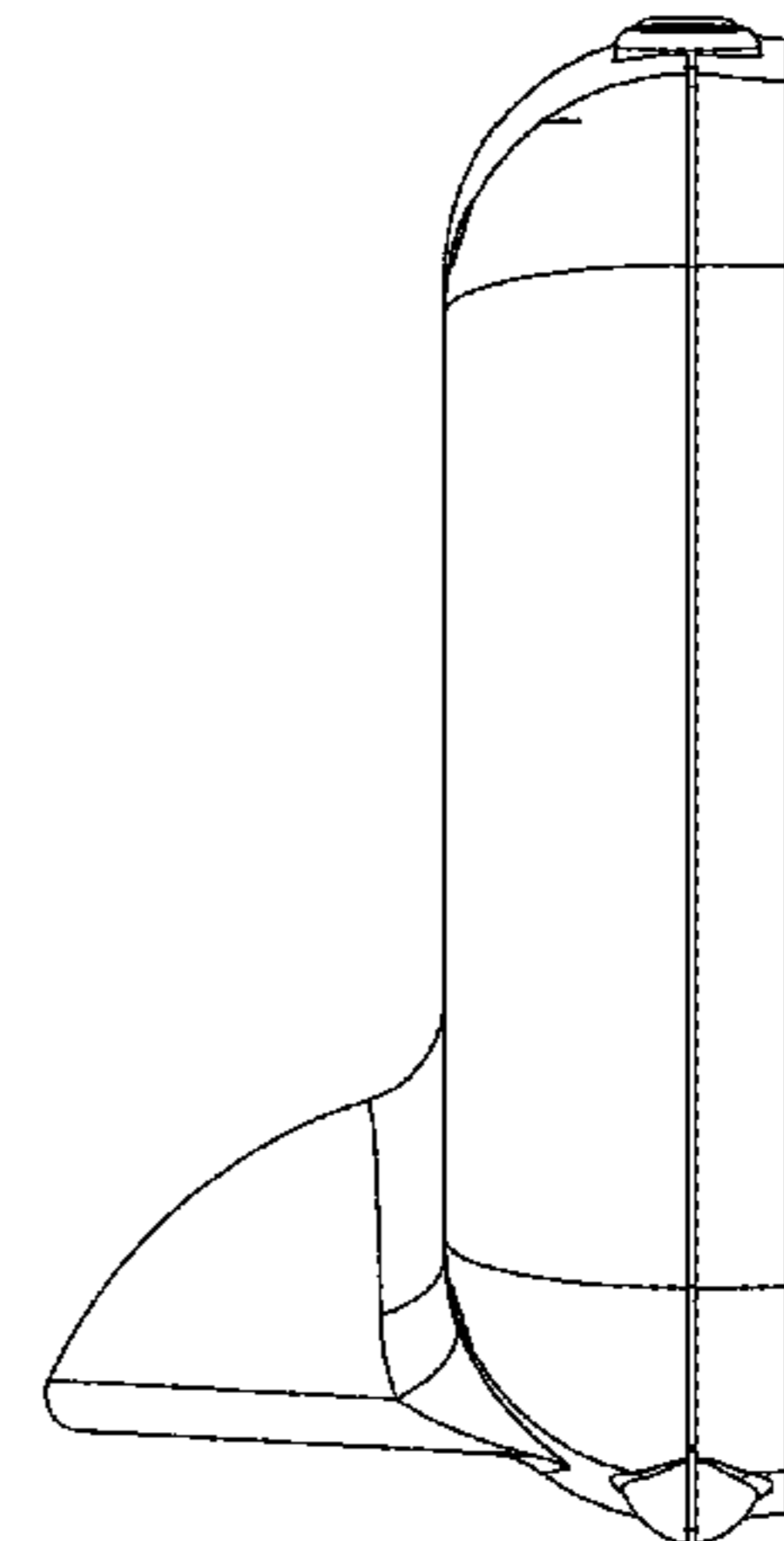
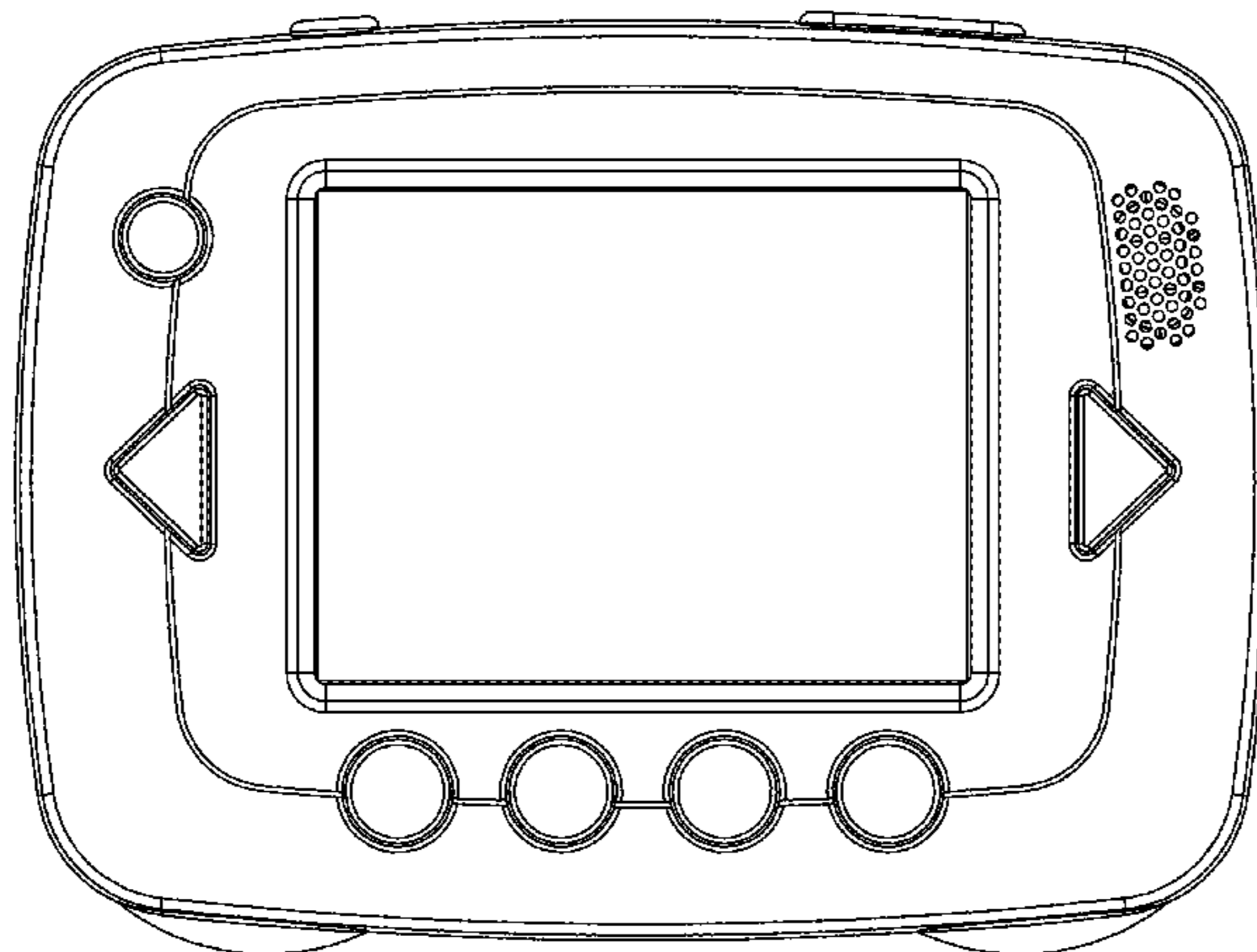
(57) **CLAIM**
We claim the ornamental design for a handheld wireless device, as shown and described.

DESCRIPTION

FIG. 1 is a front top perspective view of a handheld wireless device showing our new design;
FIG. 2 is a front bottom perspective view thereof;
FIG. 3 is a back top perspective view thereof;
FIG. 4 is a front view thereof;
FIG. 5 is a back view thereof;
FIG. 6 is a right side view thereof;
FIG. 7 is a left side view thereof;
FIG. 8 is a bottom view thereof; and,
FIG. 9 is a top view thereof.

1 Claim, 7 Drawing Sheets

- (56) **References Cited**
U.S. PATENT DOCUMENTS
D359,984 S * 7/1995 Mak D19/52
D419,190 S * 1/2000 Mak D19/52



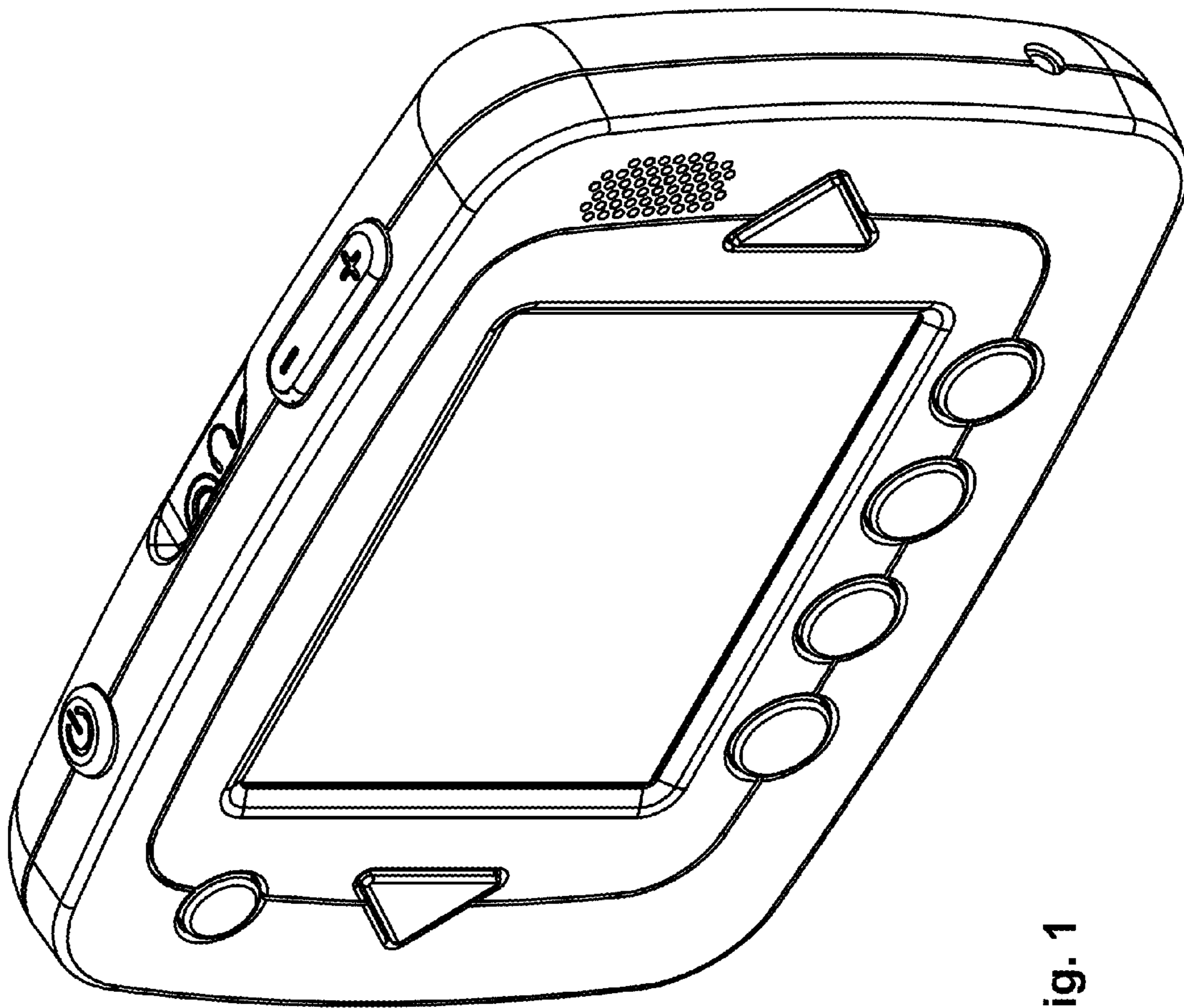


Fig. 1

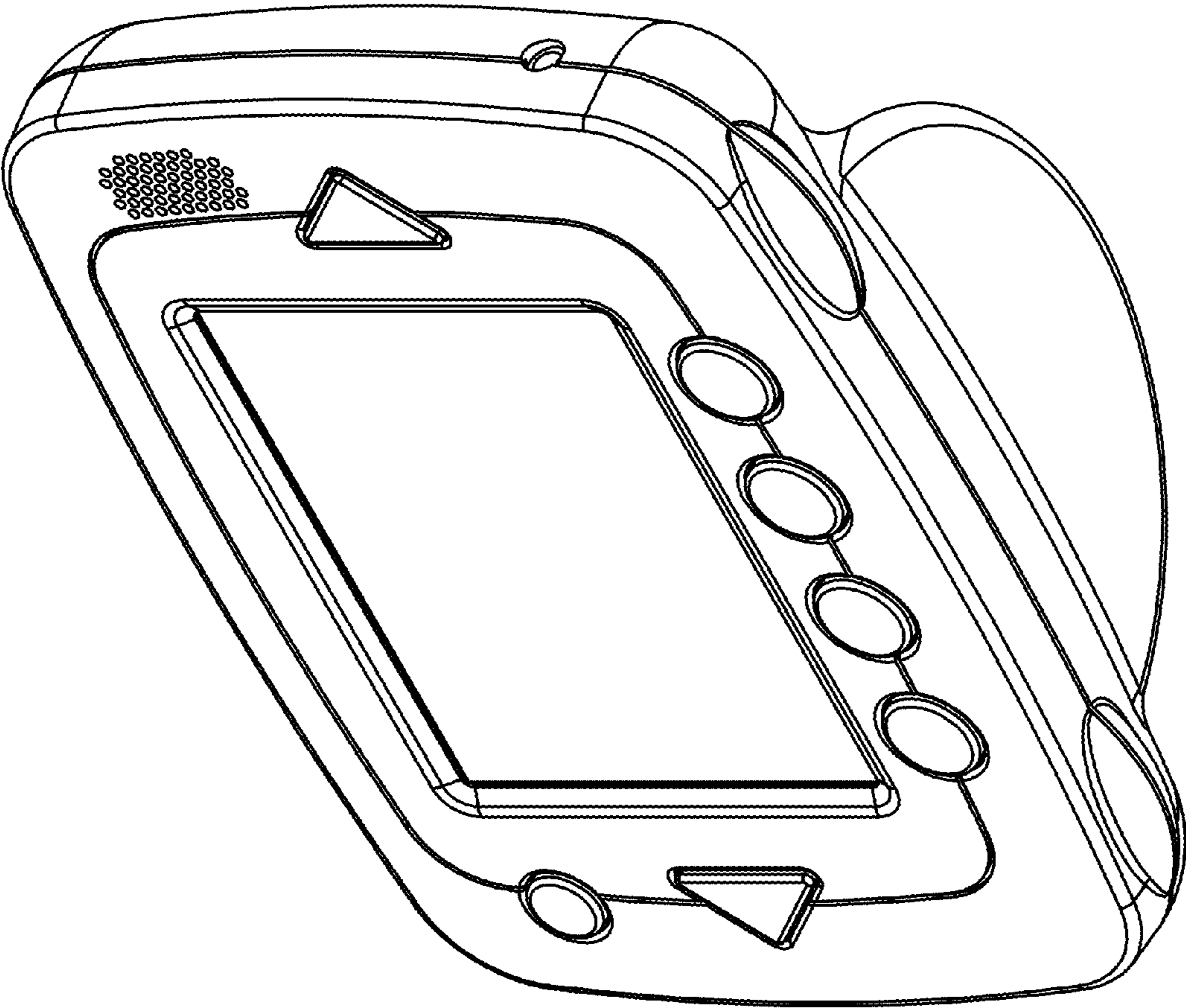


Fig. 2

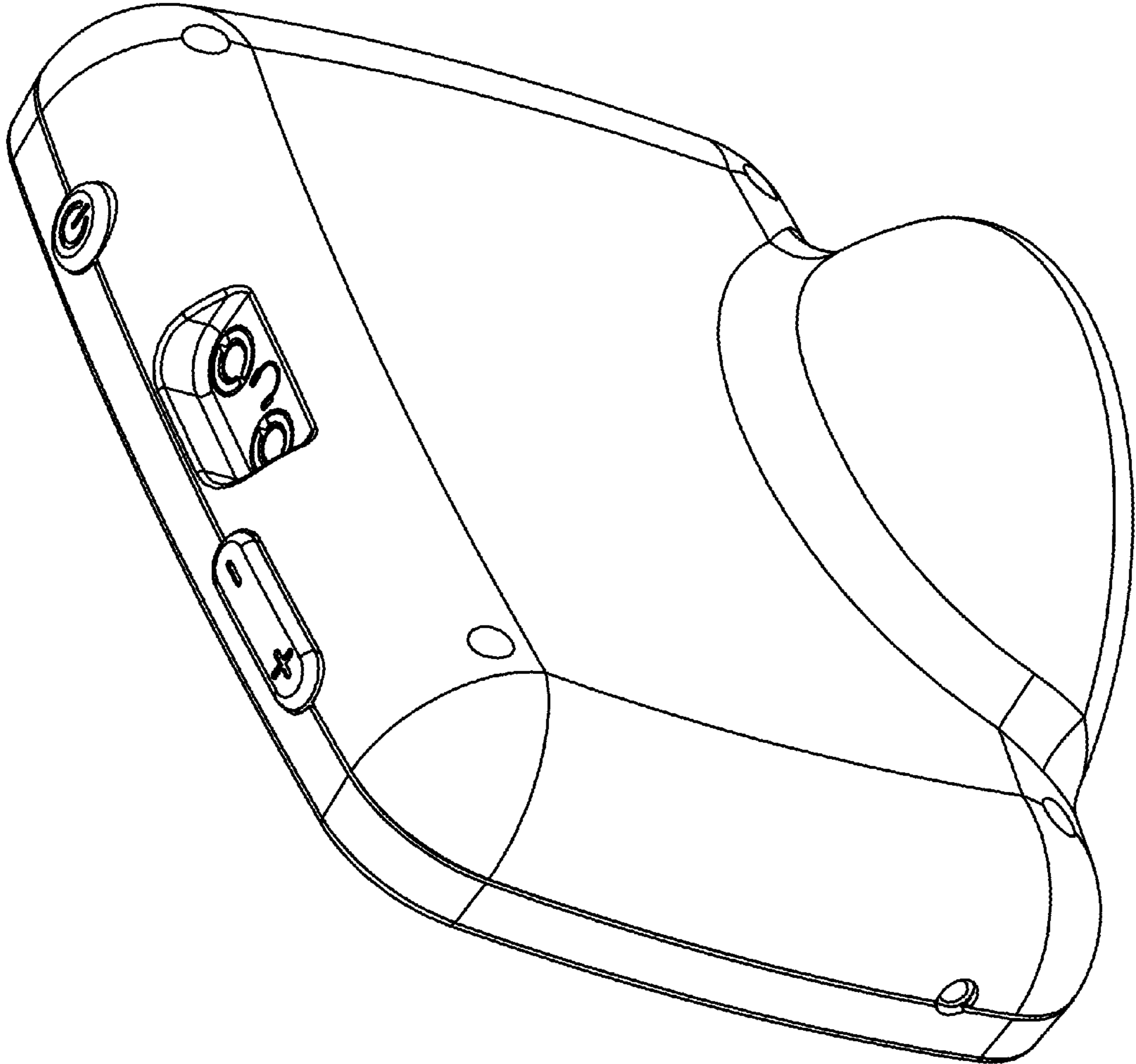


Fig. 3

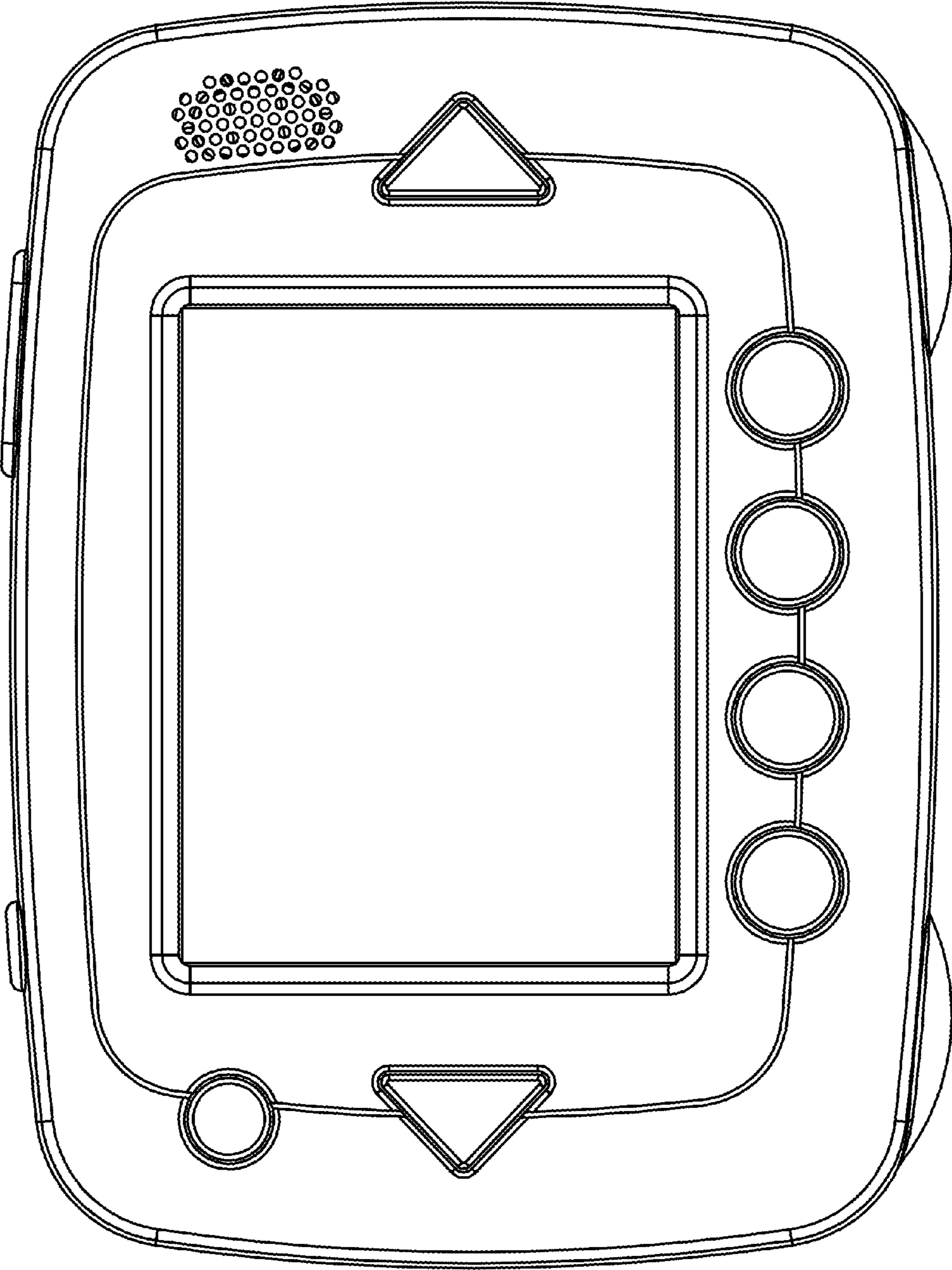


Fig. 4

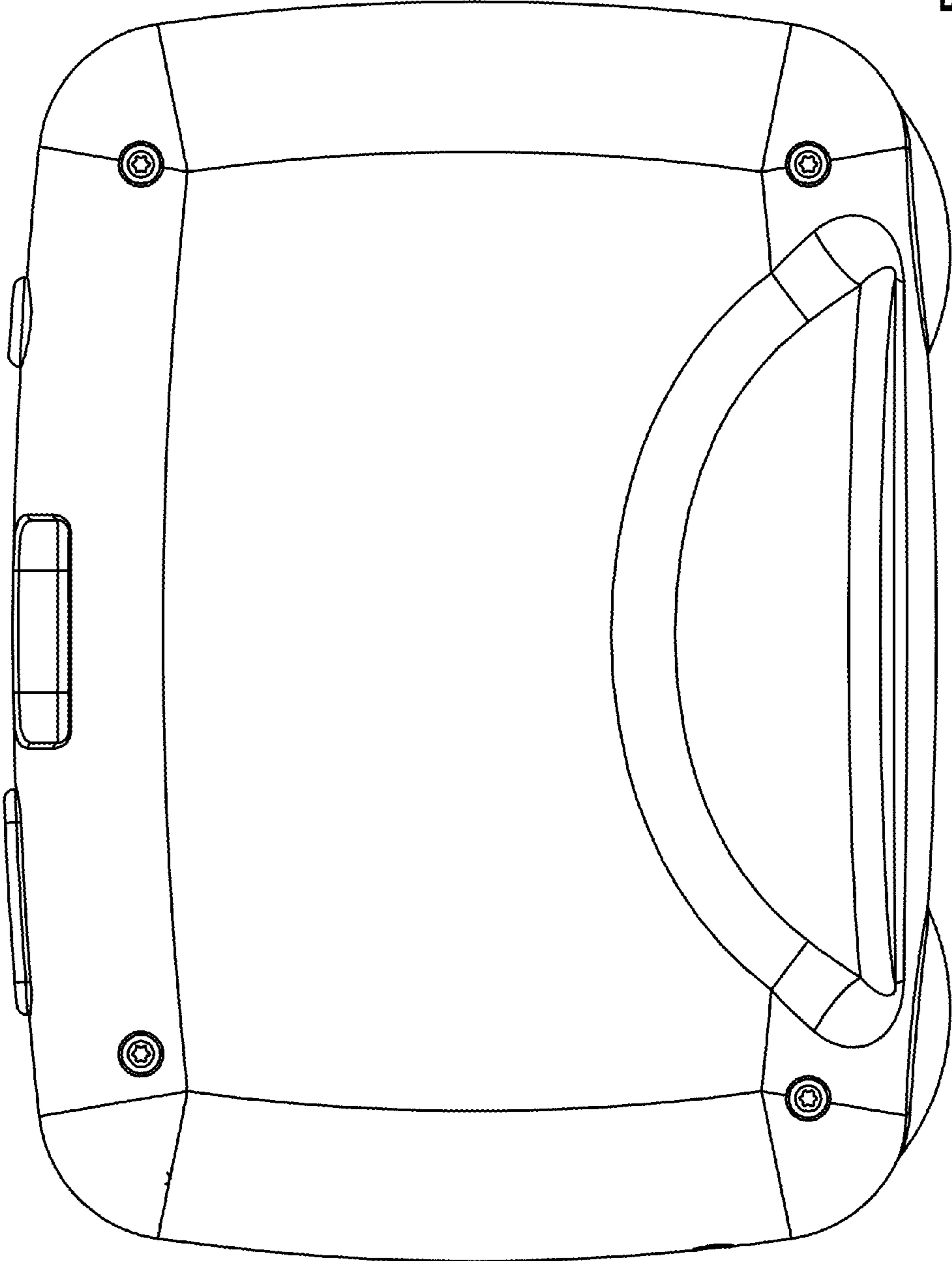


Fig. 5

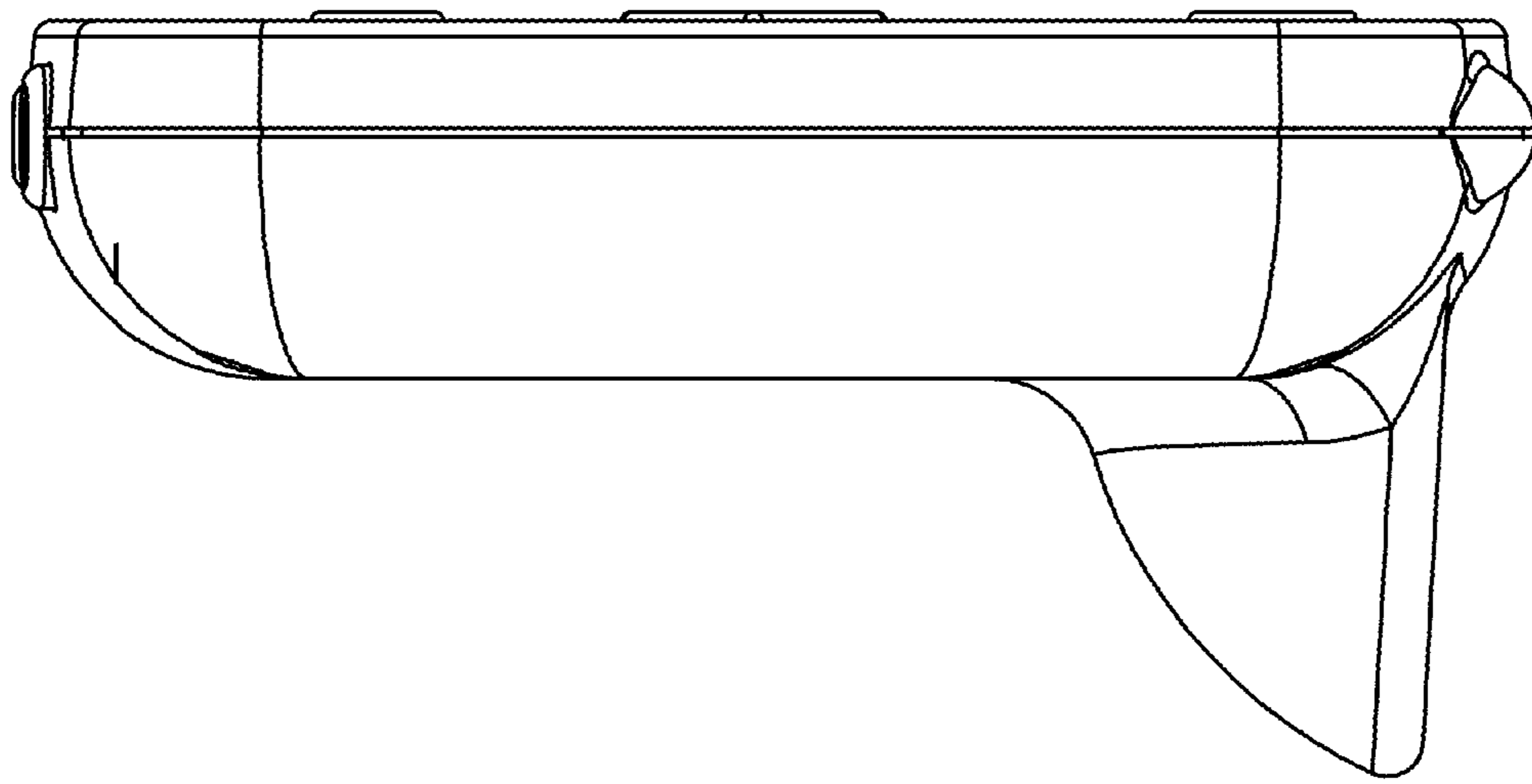


Fig. 7

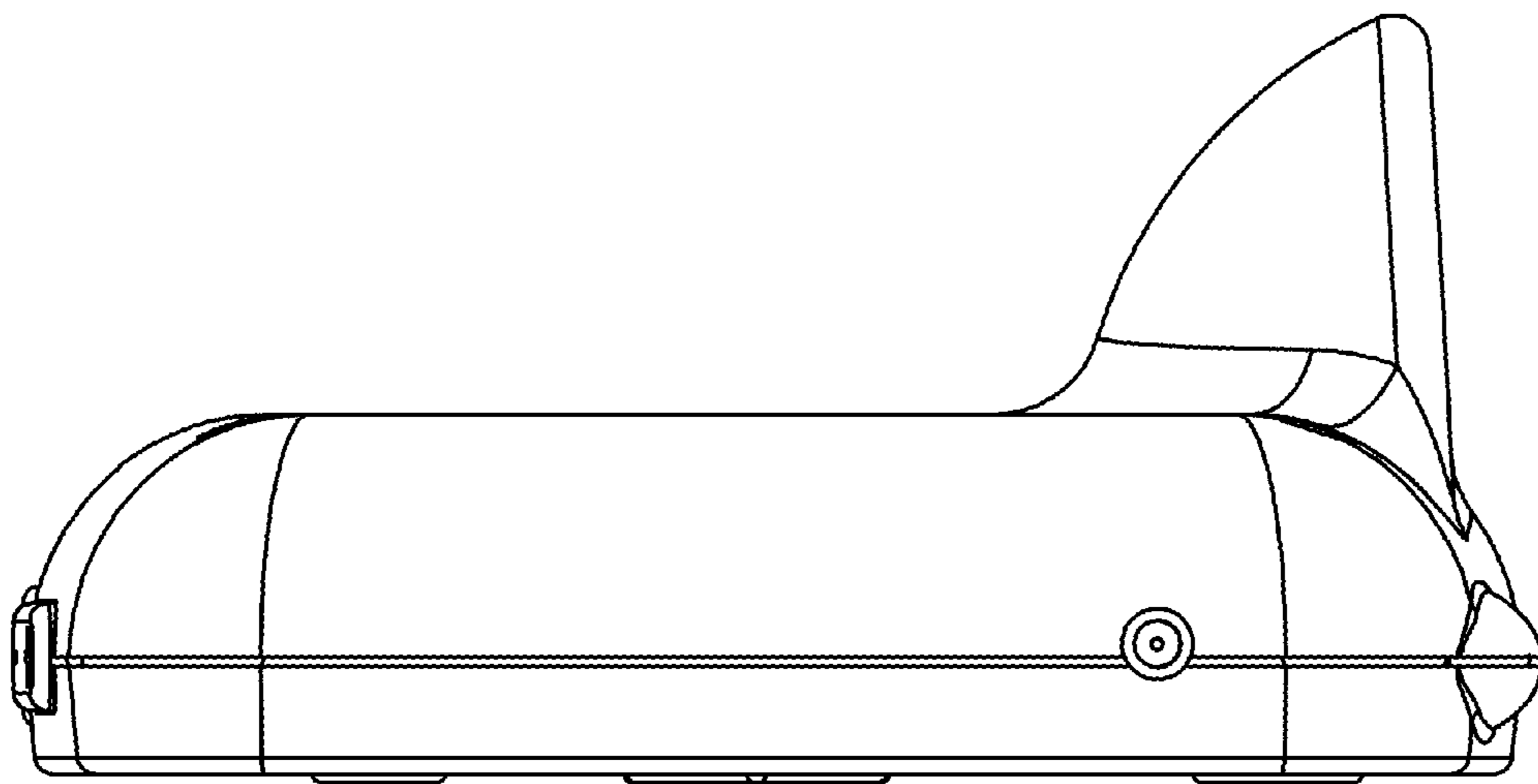


Fig. 6

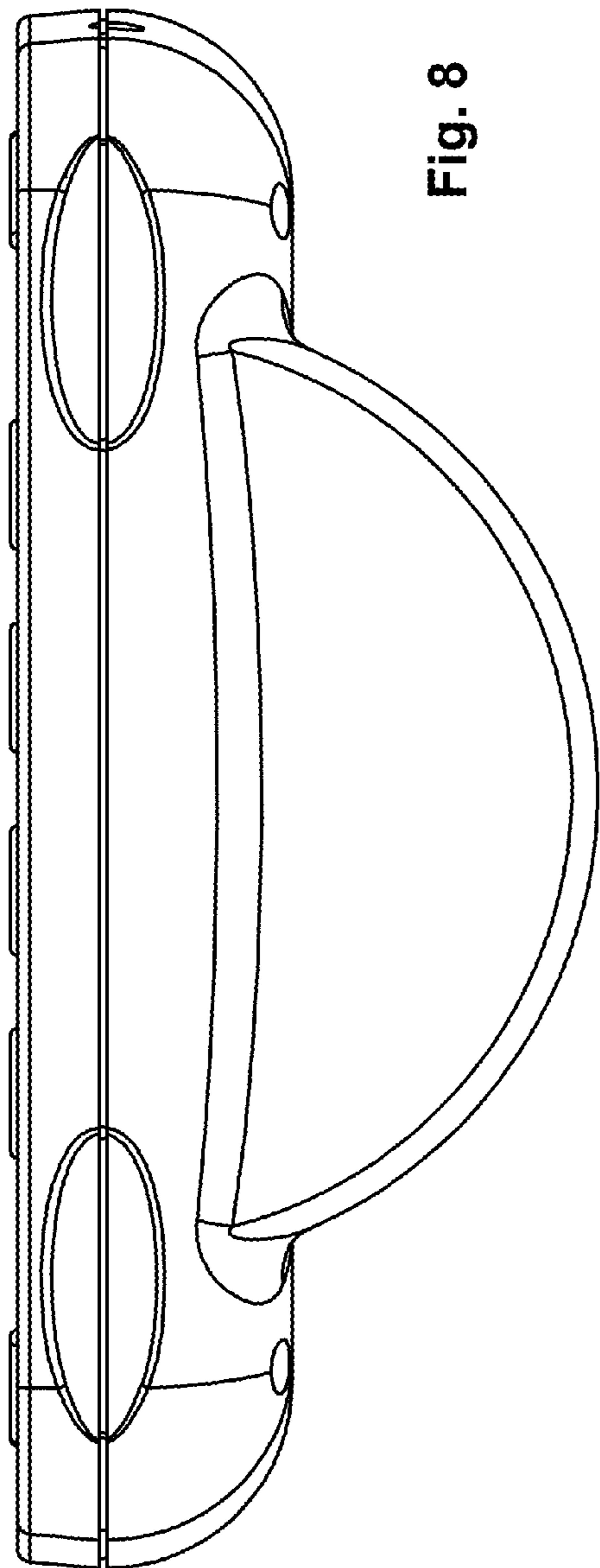


Fig. 8

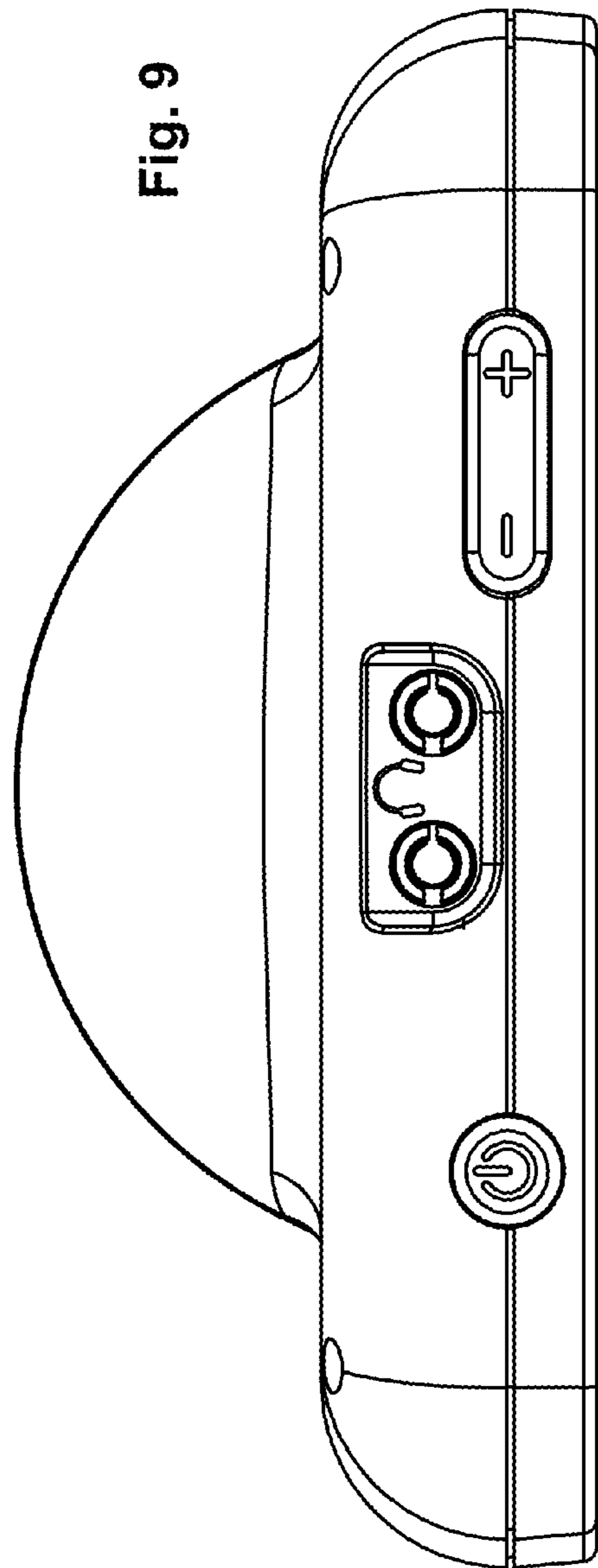


Fig. 9