



US00D723541S

(12) **United States Design Patent**
Sohn et al.

(10) **Patent No.:** **US D723,541 S**
(45) **Date of Patent:** **** Mar. 3, 2015**

- (54) **PORTABLE COMPUTER**
- (71) Applicant: **Samsung Electronics Co., Ltd.**,
Suwon-si, Gyeonggi-do (KR)
- (72) Inventors: **Dong-Hoon Sohn**, Seoul (KR); **Anders P. Jensen**, Charlottenlund (DK)
- (73) Assignee: **Samsung Electronics Co., Ltd.** (KR)
- (**) Term: **14 Years**
- (21) Appl. No.: **29/473,118**
- (22) Filed: **Nov. 19, 2013**
- (30) **Foreign Application Priority Data**
May 30, 2013 (KR) 30-2013-0028220
- (51) **LOC (10) Cl.** **14-02**
- (52) **U.S. Cl.**
USPC **D14/315**
- (58) **Field of Classification Search**
USPC D14/315-327, 331; D18/1, 2, 7, 11;
235/145 A, 145 R; 341/22, 23; 345/104,
345/156, 168, 169, 173; 361/679.08,
361/679.09, 679.11, 679.26, 679.27,
361/679.55, 679.59; 379/433.12; 16/341,
16/354, 367
See application file for complete search history.

- D488,807 S * 4/2004 Ogasawara D14/318
- D591,283 S * 4/2009 Luminosu et al. D14/318
- D675,199 S * 1/2013 Wen et al. D14/315

* cited by examiner

Primary Examiner — Freda S Nunn
(74) *Attorney, Agent, or Firm* — Cantor Colburn LLP

(57) **CLAIM**
The ornamental design for a portable computer, as shown and described.

DESCRIPTION

FIG. 1 is a top front perspective view of a portable computer showing our new design;
 FIG. 2 is a front view thereof;
 FIG. 3 is a rear view thereof;
 FIG. 4 is a side view thereof;
 FIG. 5 is another side view thereof;
 FIG. 6 is a top view thereof;
 FIG. 7 is a bottom view thereof;
 FIG. 8 is an enlarged view of the encircled portion A as shown in FIG. 1;
 FIG. 9 is an enlarged view of the encircled portion B as shown in FIG. 5; and,
 FIG. 10 is another right-side view thereof, with the portable computer shown in an open position.
 The broken lines illustrating portions of the portable computer are for environmental purposes only and form no part of the claimed design. The dot-dash broken lines represent unclaimed boundary lines and form no part of the claimed design. The dot-dash broken lines surrounding and forming the circles around portions A and B form no part of the claimed design.

1 Claim, 5 Drawing Sheets

- (56) **References Cited**
U.S. PATENT DOCUMENTS
5,987,704 A * 11/1999 Tang 16/354
6,480,373 B1 * 11/2002 Landry et al. 361/679.06

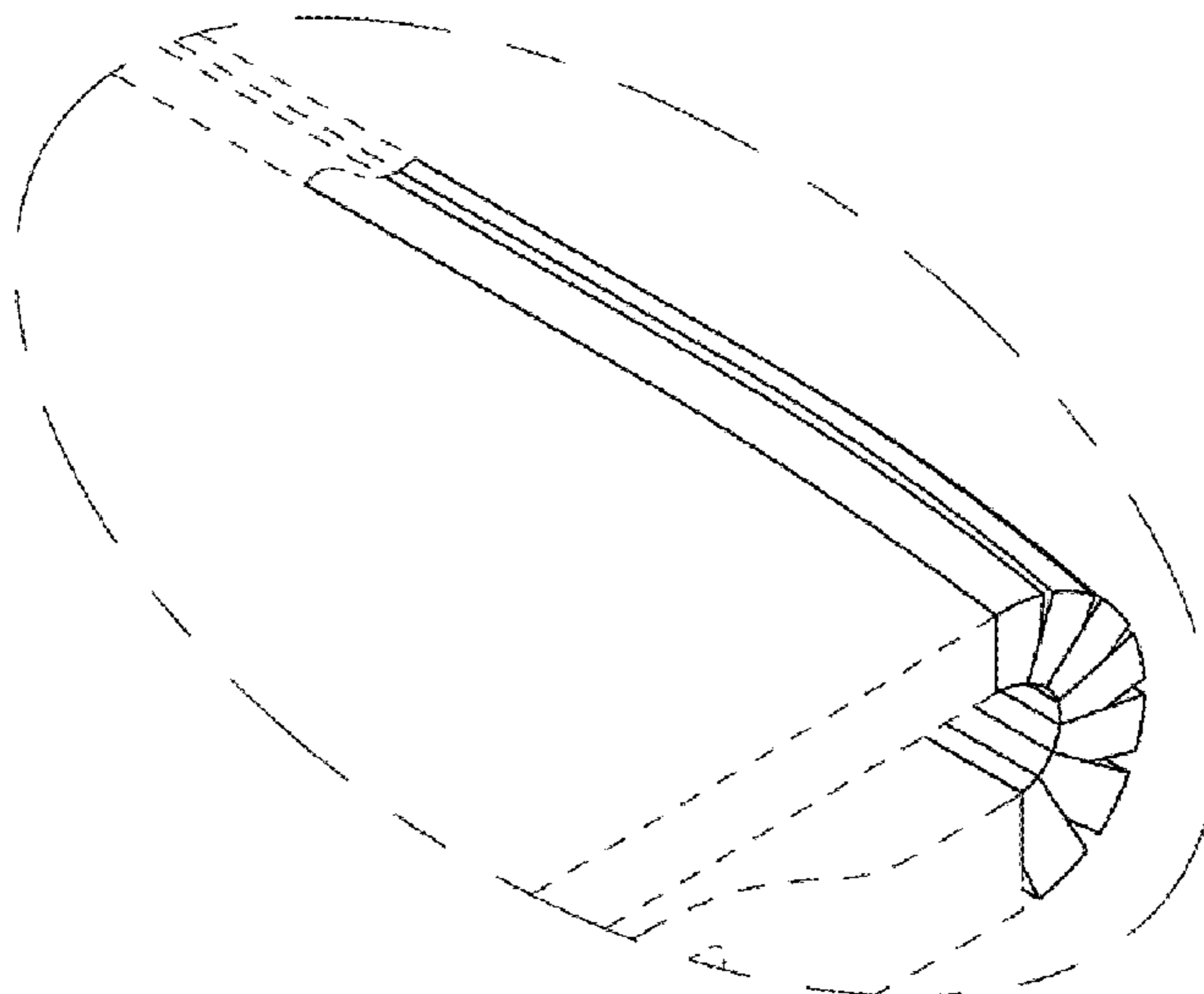


FIG.1

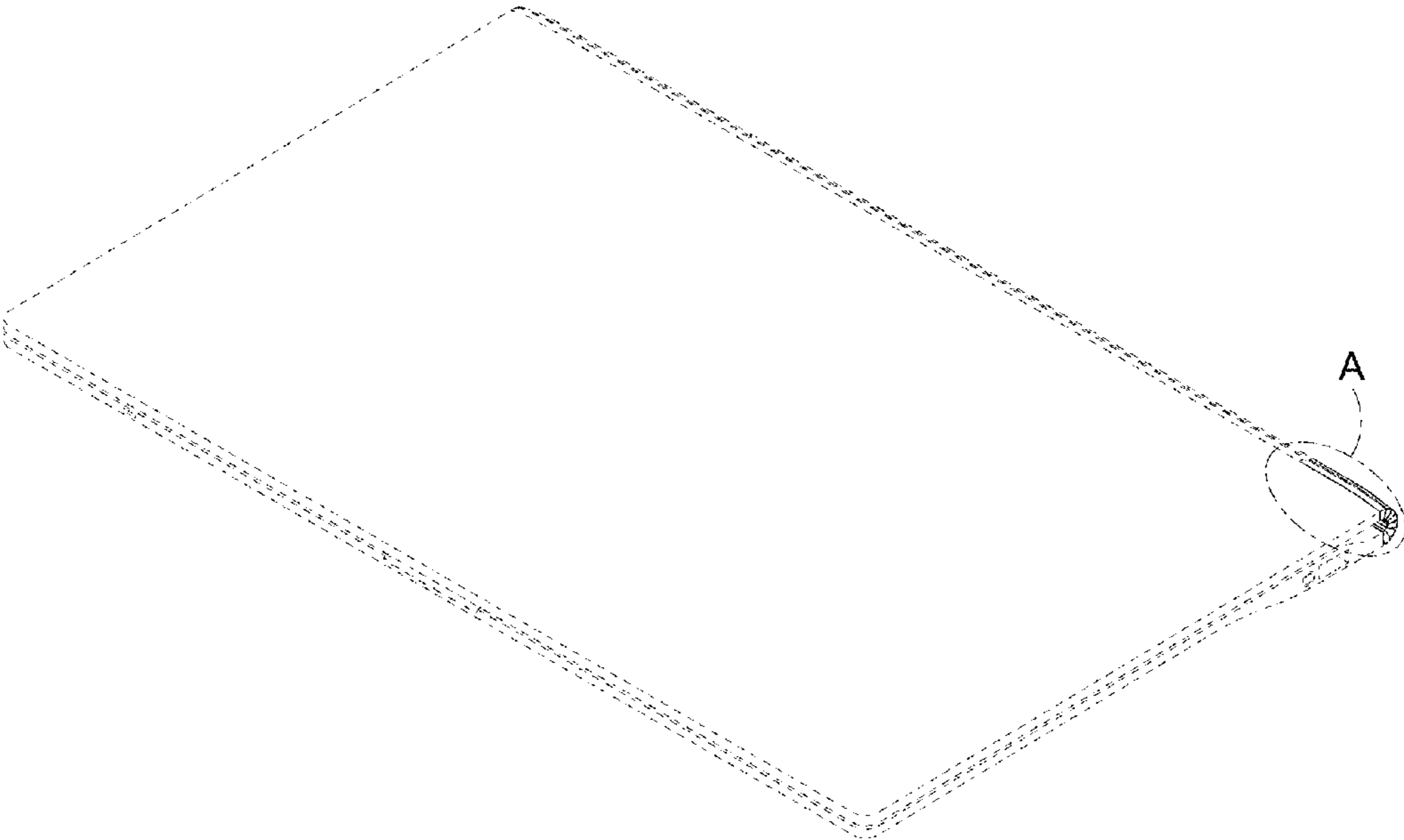


FIG.2

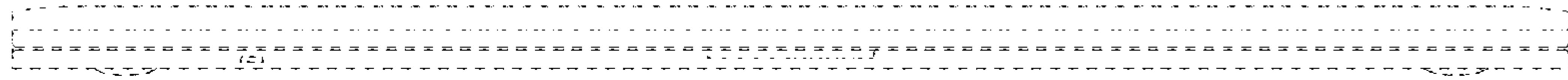


FIG.3



FIG.4

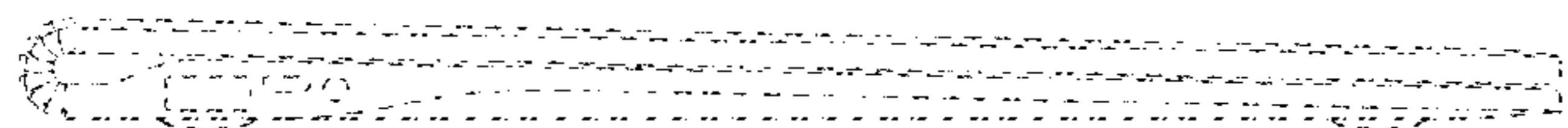


FIG.5



FIG.6



FIG.7

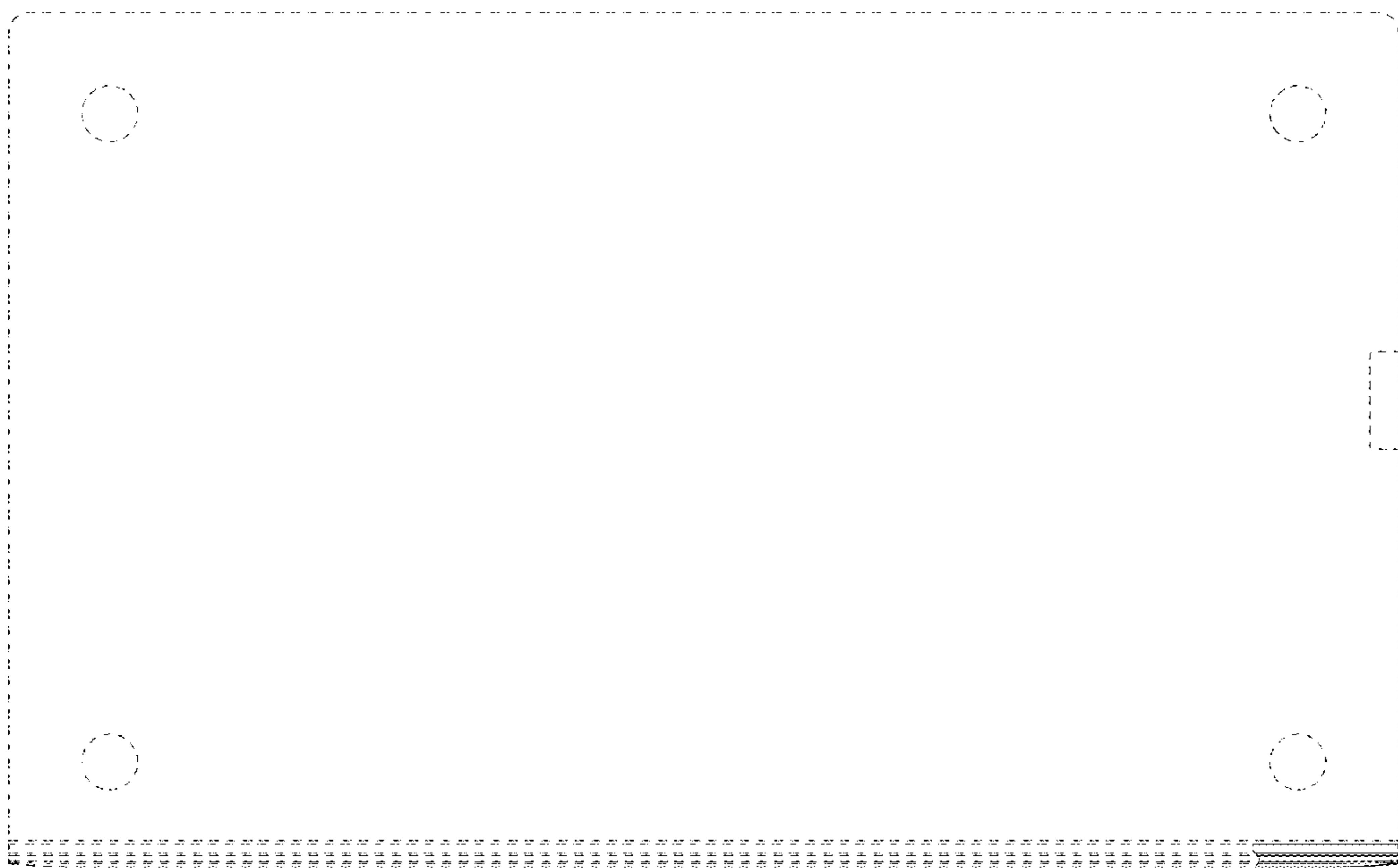


FIG.8

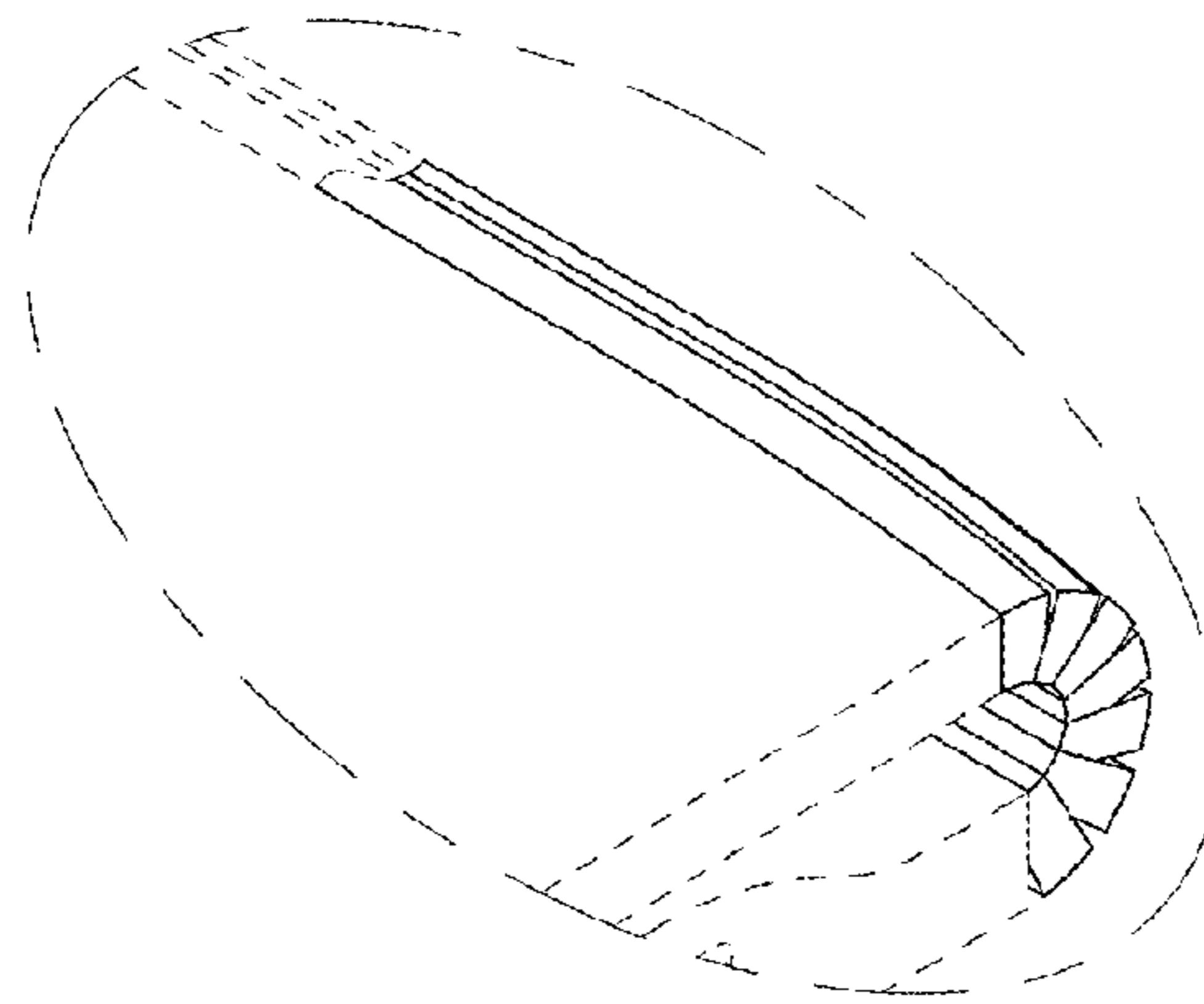


FIG.9

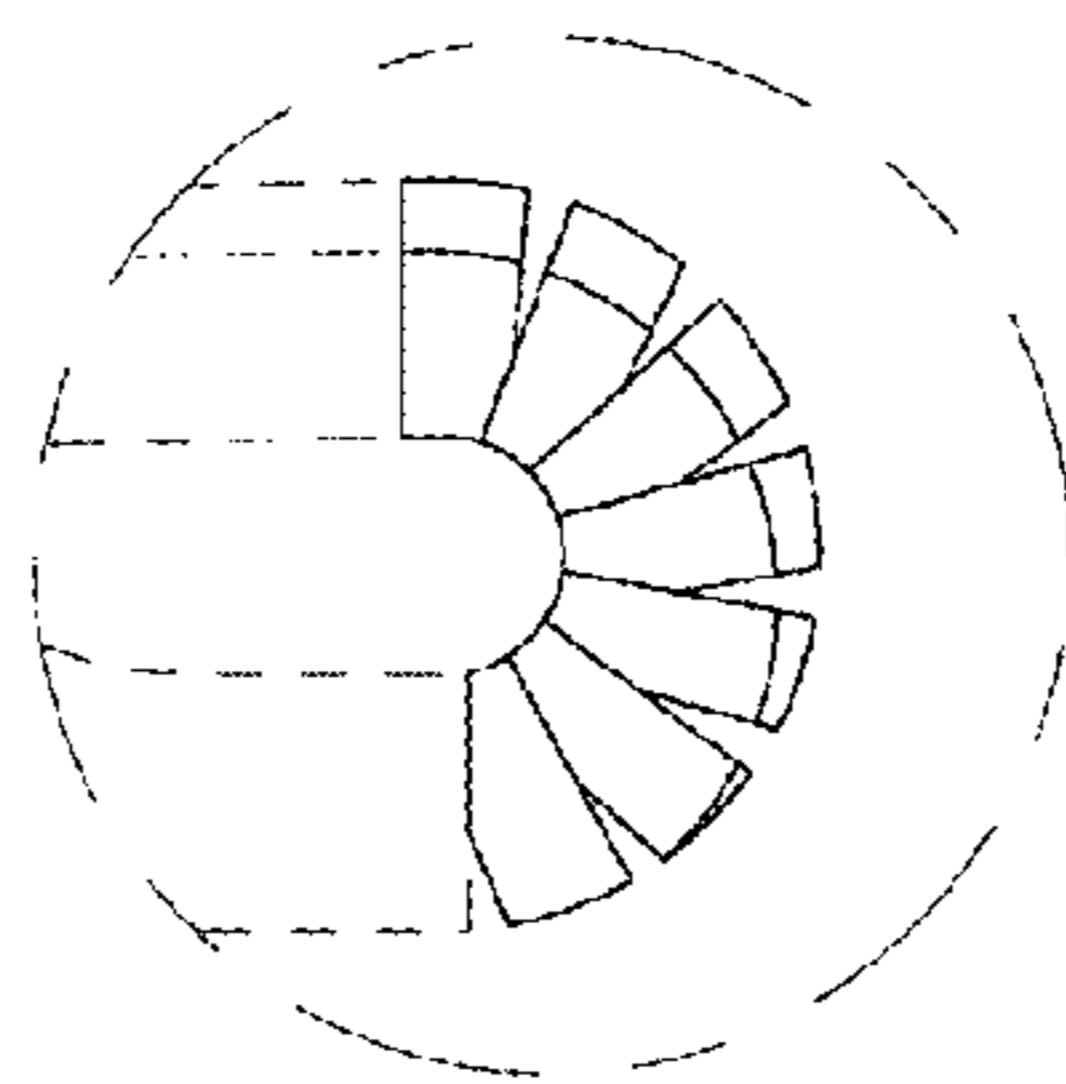


FIG.10

