



US00D723537S

(12) **United States Design Patent**
Quilling, II et al.

(10) **Patent No.:** **US D723,537 S**
(45) **Date of Patent:** **** Mar. 3, 2015**

(54) **DOUBLE DIN AUTO STEREO MOUNTING DEVICE**

(71) Applicants: **R. Spencer Quilling, II**, Deland, FL (US); **Edward Robertson**, Holly Hill, FL (US)

(72) Inventors: **R. Spencer Quilling, II**, Deland, FL (US); **Edward Robertson**, Holly Hill, FL (US)

(73) Assignee: **Metra Electronics Corporation**, Holly Hill, FL (US)

(**) Term: **14 Years**

(21) Appl. No.: **29/450,838**

(22) Filed: **Mar. 25, 2013**

(51) **LOC (10) Cl.** **14-03**

(52) **U.S. Cl.**
USPC **D14/258**

(58) **Field of Classification Search**
USPC D12/192, 195, 415, 420; D14/157, 168, D14/188, 218, 224, 257-258; 248/27.1, 248/27.3, 558; 455/347, 350

See application file for complete search history.

(56) **References Cited**

U.S. PATENT DOCUMENTS

D545,661 S *	7/2007	Quilling, II	D14/258
D582,912 S *	12/2008	Quilling, II	D14/258
D602,483 S *	10/2009	Fiore, IV	D14/258
D611,939 S *	3/2010	Quilling, II	D14/258
D639,290 S *	6/2011	Fiore et al.	D14/258
D639,795 S *	6/2011	Quilling et al.	D14/258
D639,797 S *	6/2011	Fiore et al.	D14/258
D640,684 S *	6/2011	Fiore et al.	D14/258

* cited by examiner

Primary Examiner — Sandra Morris

(74) *Attorney, Agent, or Firm* — J. Wiley Horton

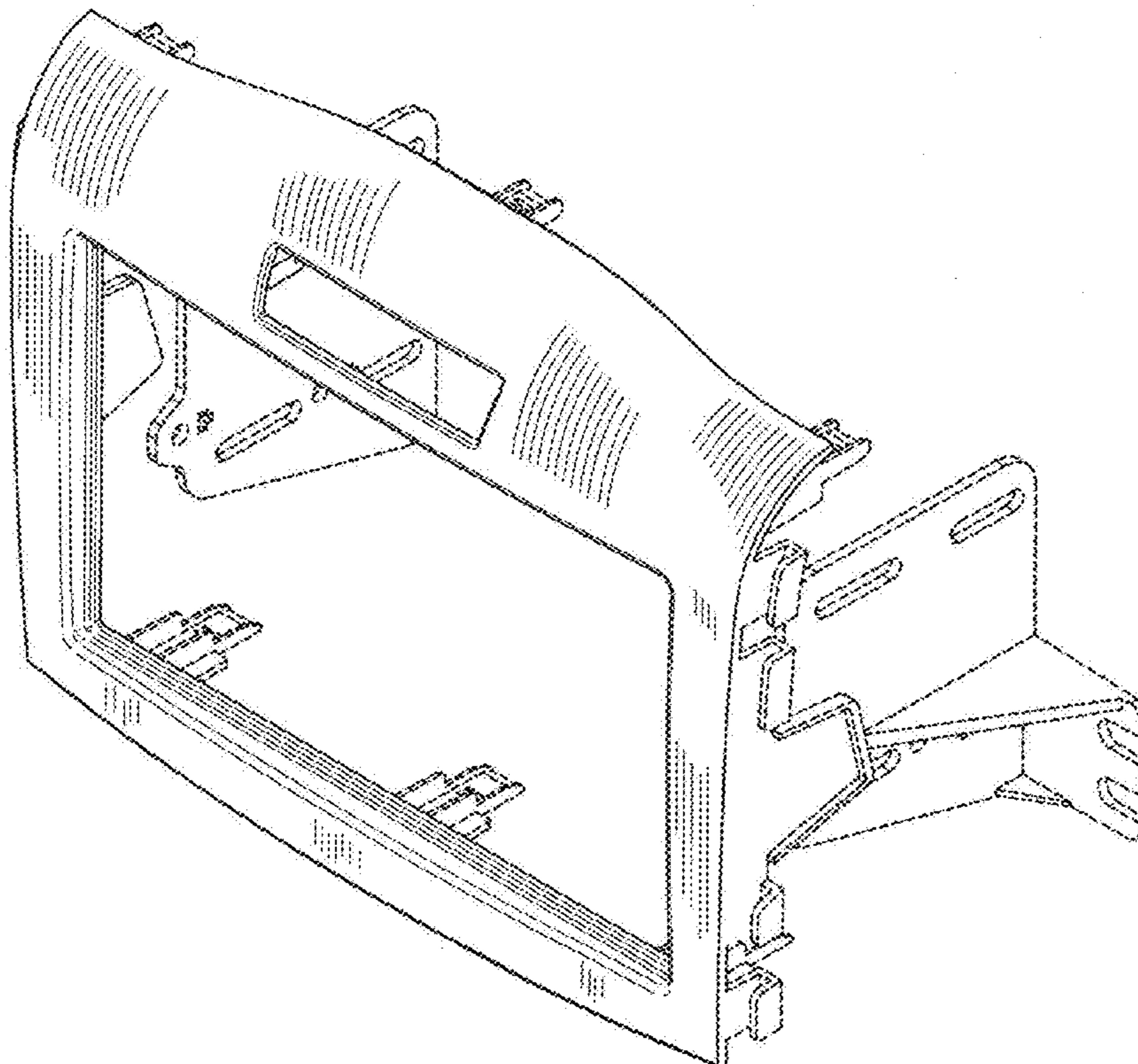
(57) **CLAIM**

The ornamental design for a double DIN auto stereo mounting device, as shown and described.

DESCRIPTION

FIG. 1 is a perspective view of a double DIN auto stereo mounting device, showing our design; FIG. 2 is a front elevation view of FIG. 1; FIG. 3 is a rear elevation view of FIG. 1; FIG. 4 is a right side elevation view of FIG. 1; FIG. 5 is a left side elevation view of FIG. 1; FIG. 6 is a top plan view of FIG. 1; and, FIG. 7 is a bottom plan view of FIG. 1. The broken lines shown in all views illustrate mounting features which form no part of the claimed design.

1 Claim, 7 Drawing Sheets



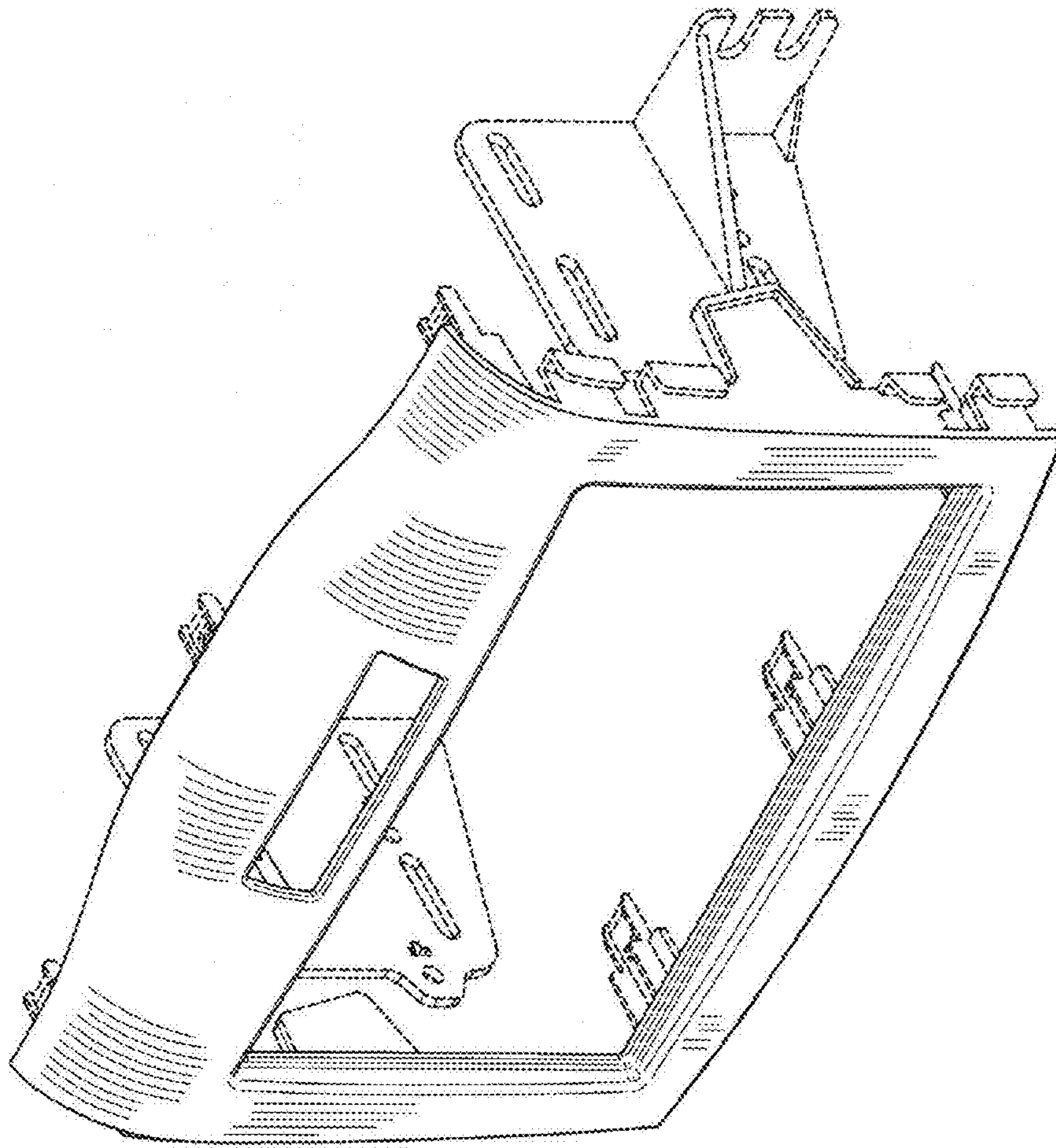


FIG. 1

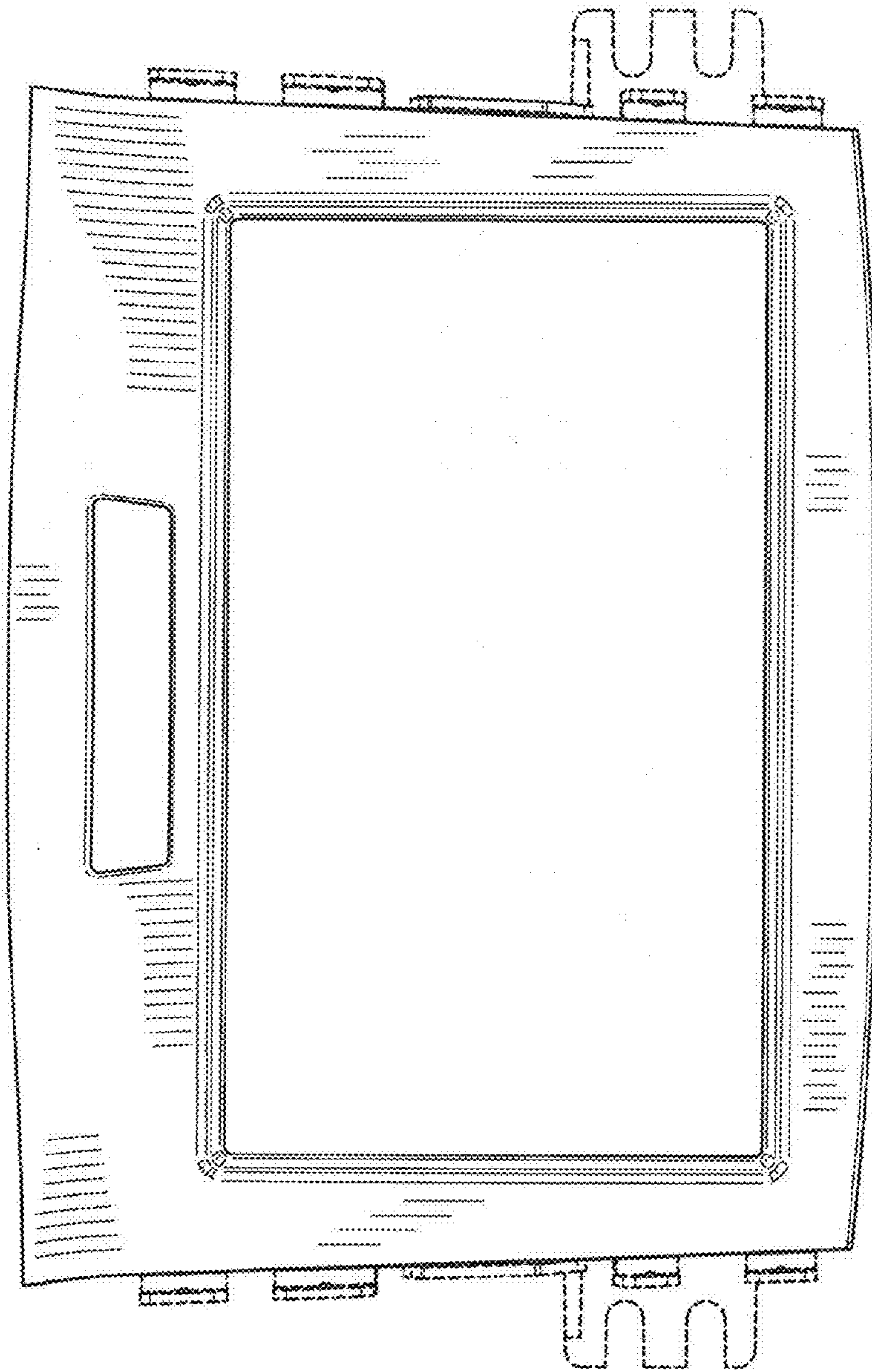


FIG. 2

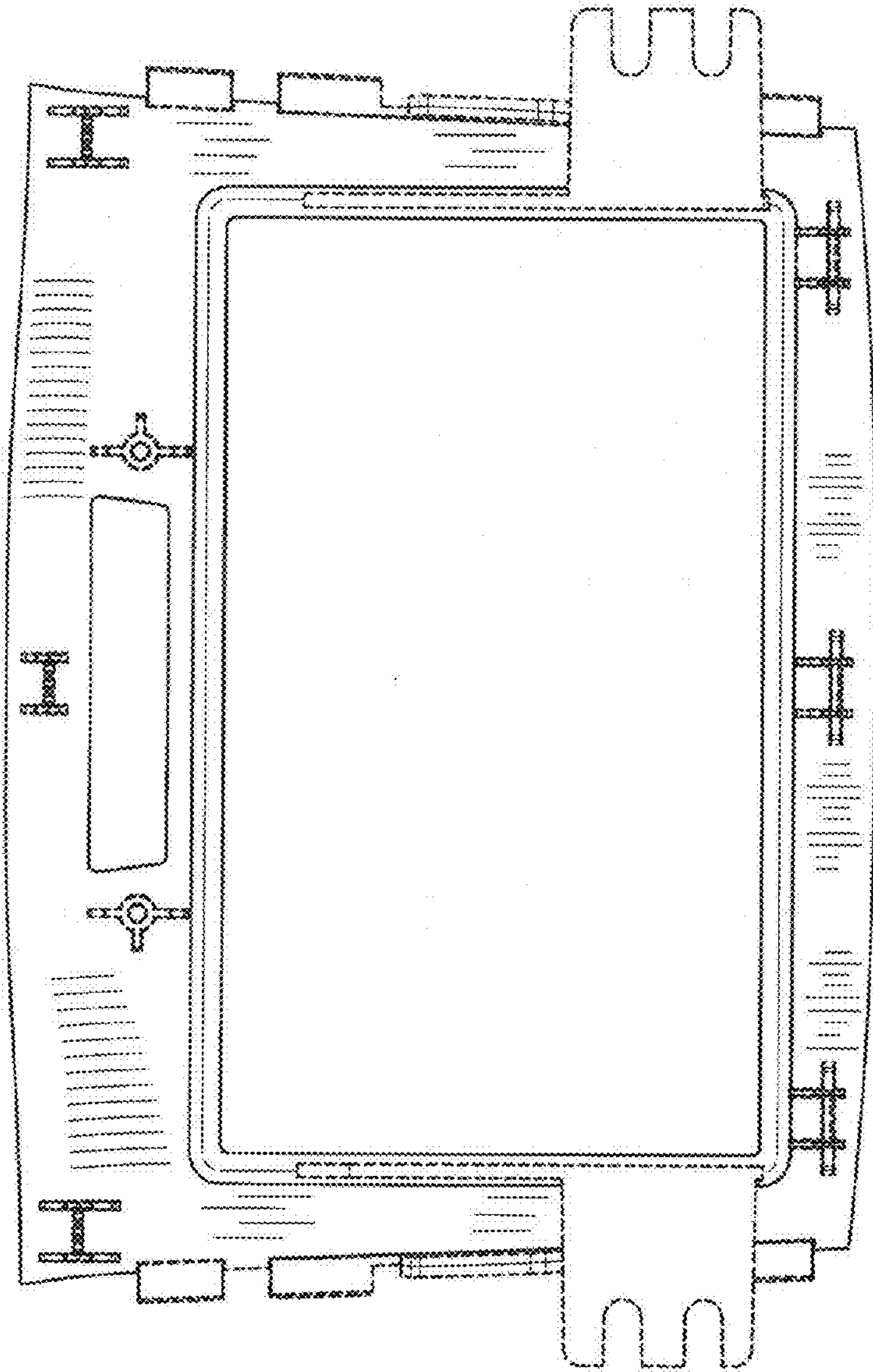


FIG. 3

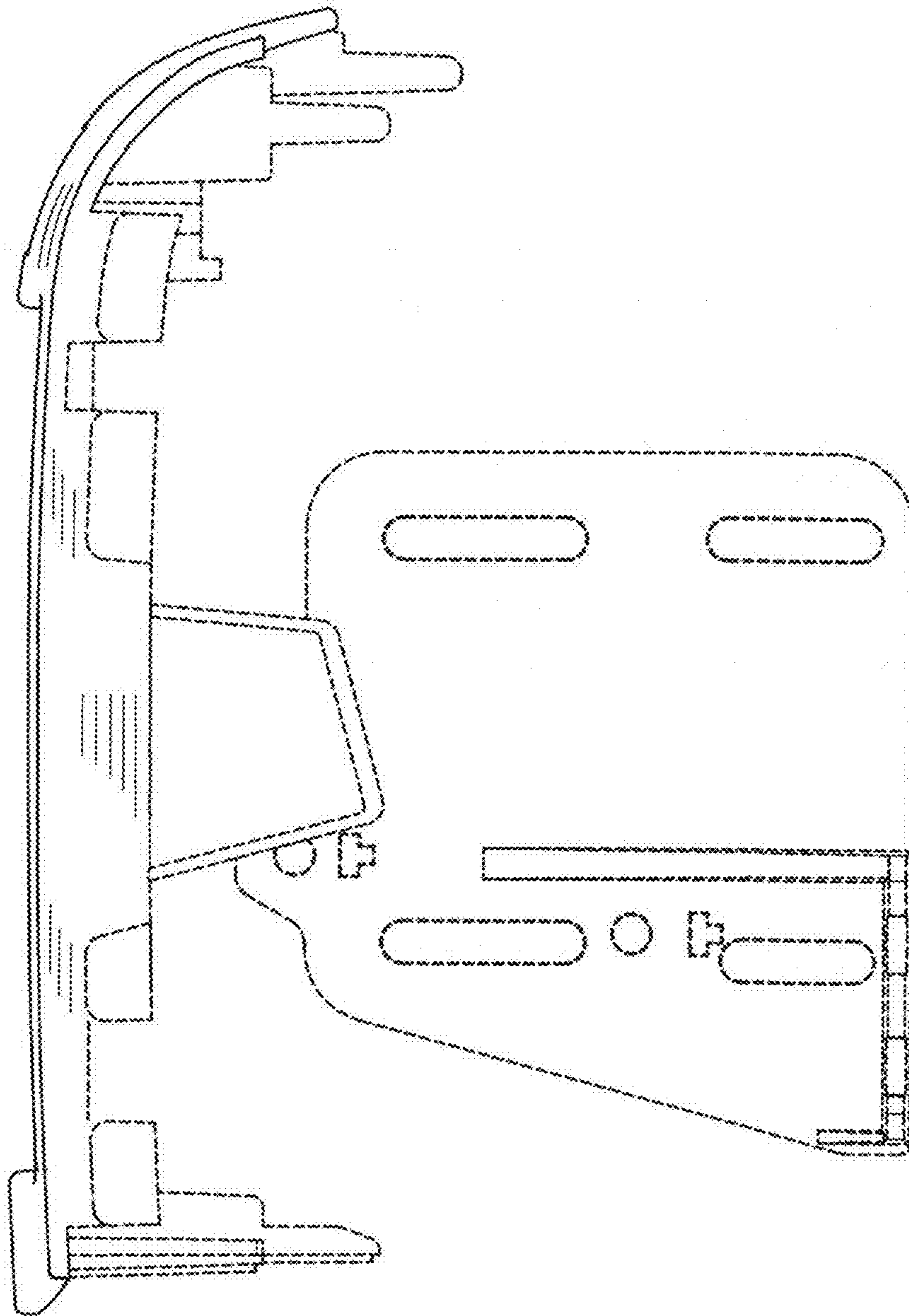


FIG. 4

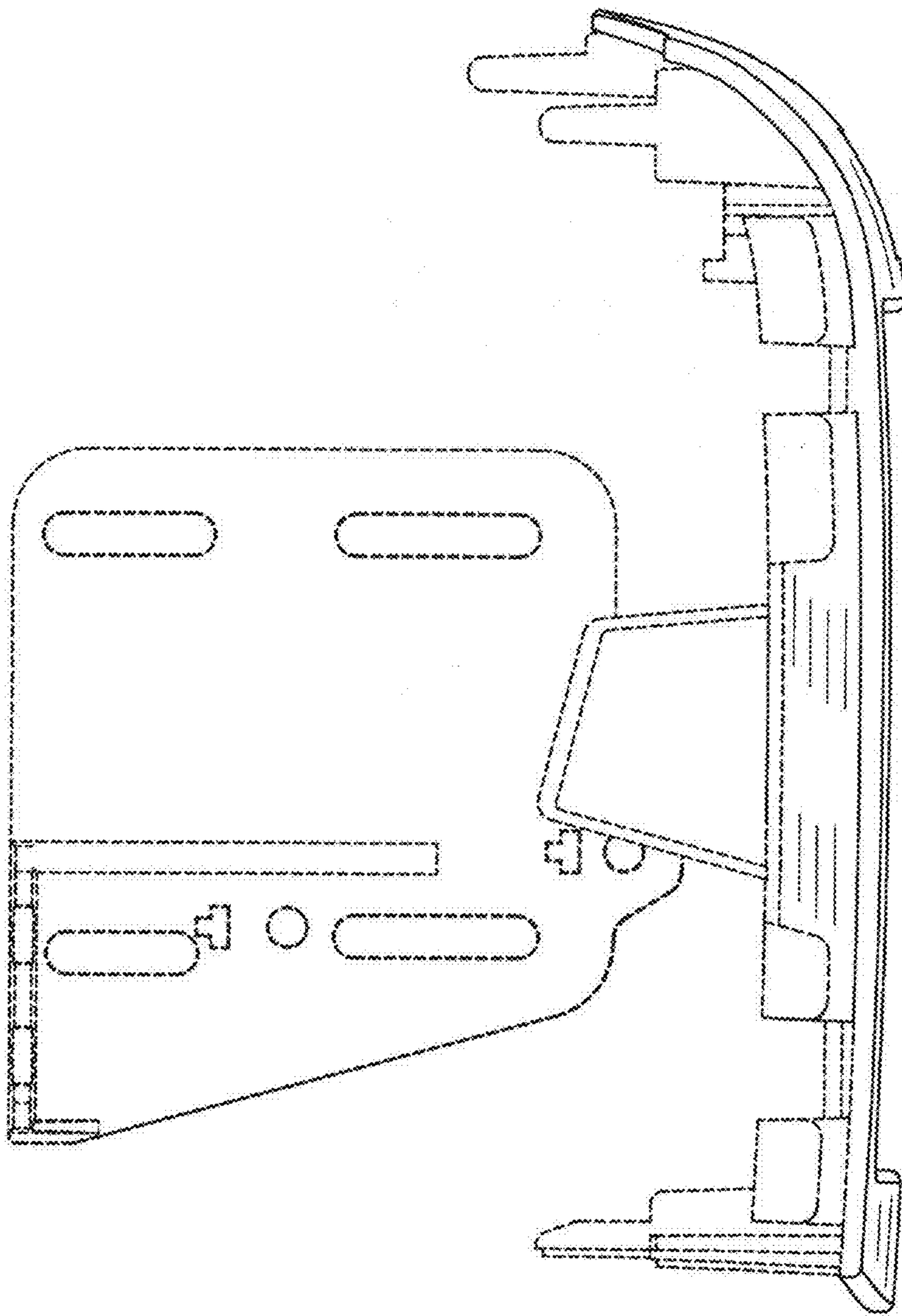


FIG. 5

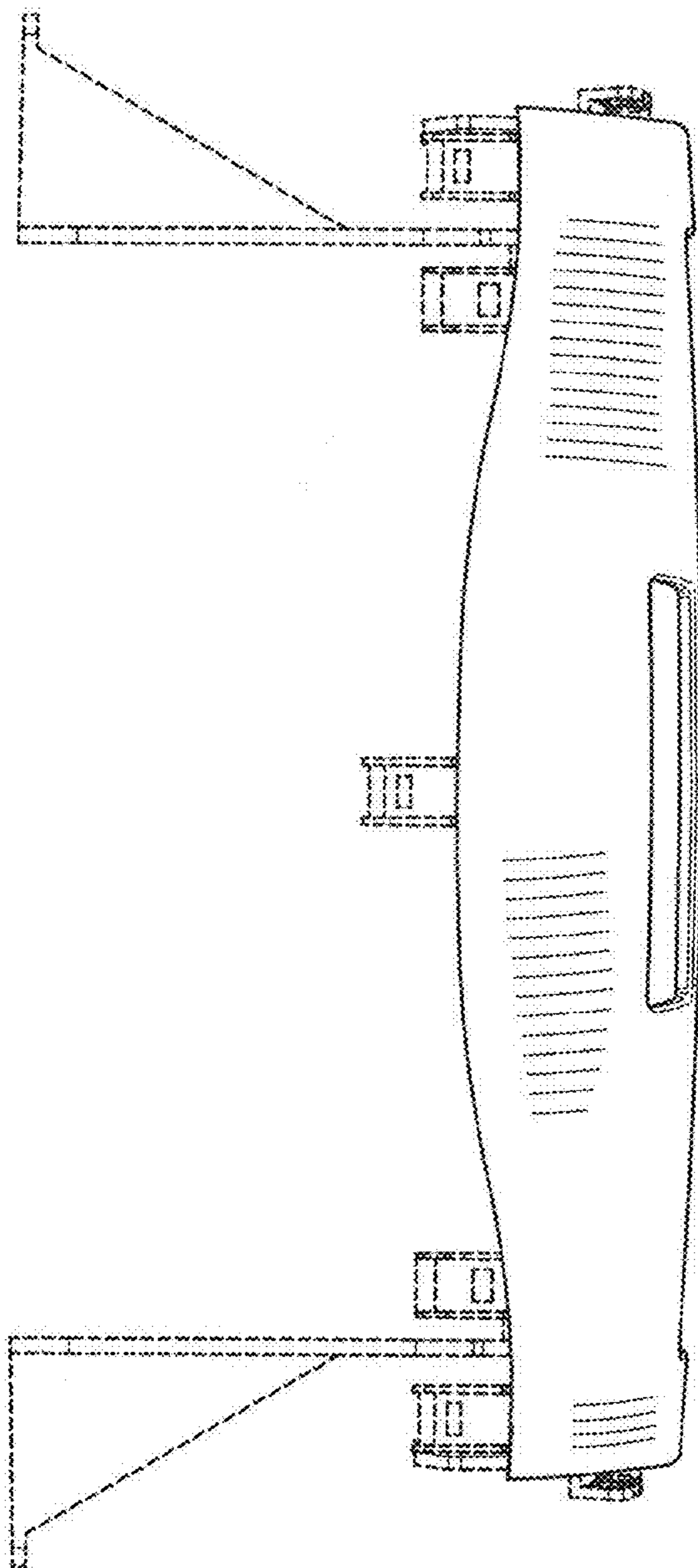


FIG. 6

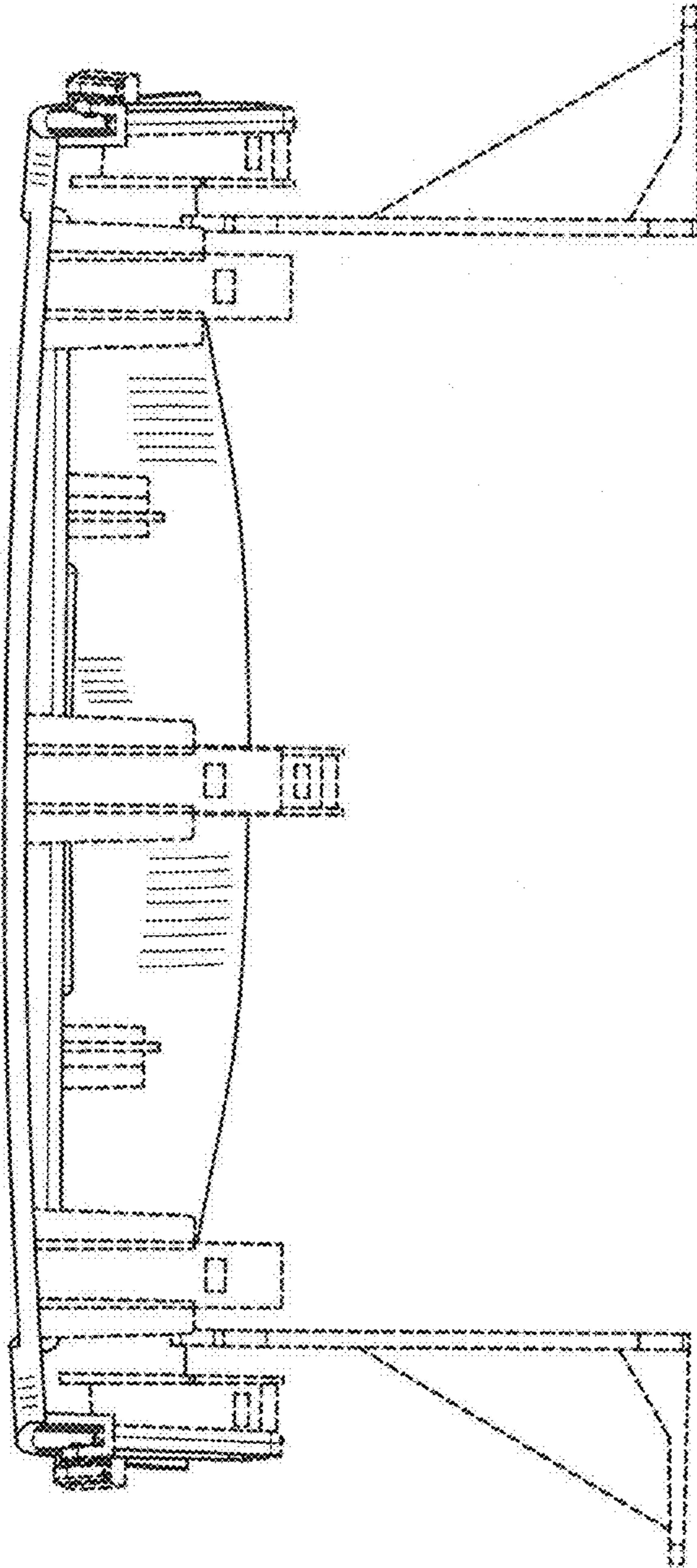


FIG. 7